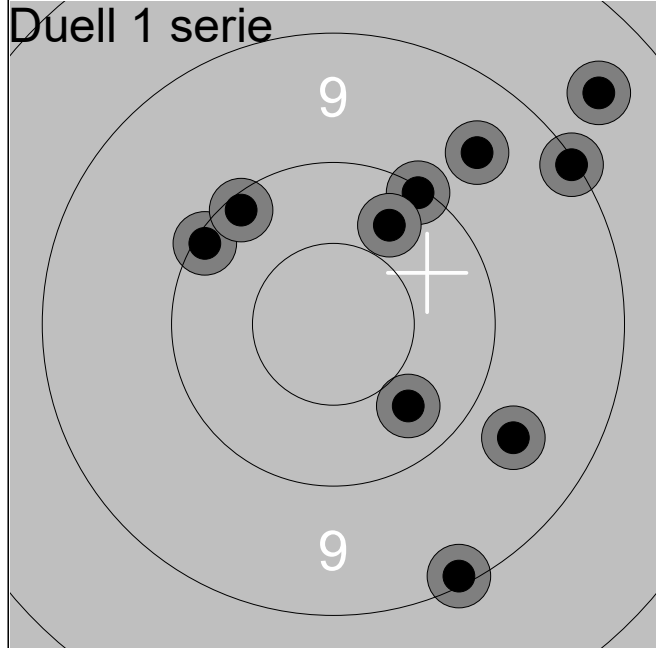


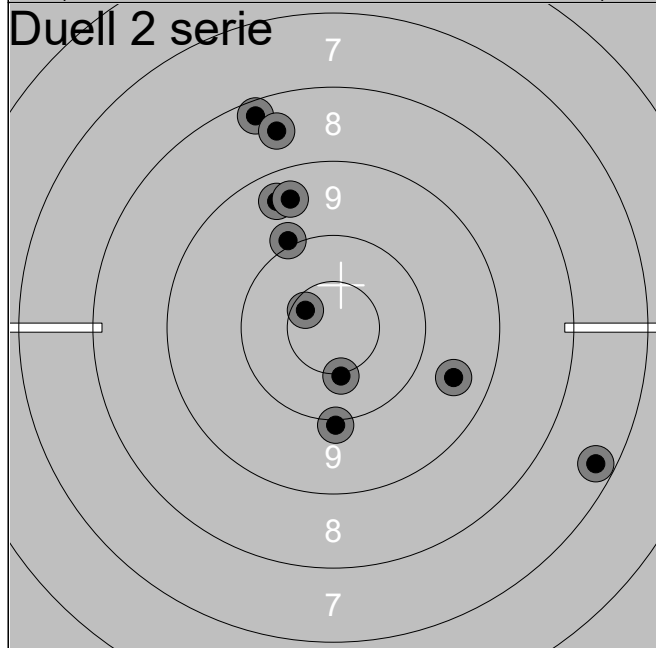
Lag <b>1</b>	Skive <b>2</b>	<b>Jakob Kråkevik</b>	
-----------------	-------------------	-----------------------	--

Grovpistol Duell	Odda Pk	V65	
------------------	---------	-----	--

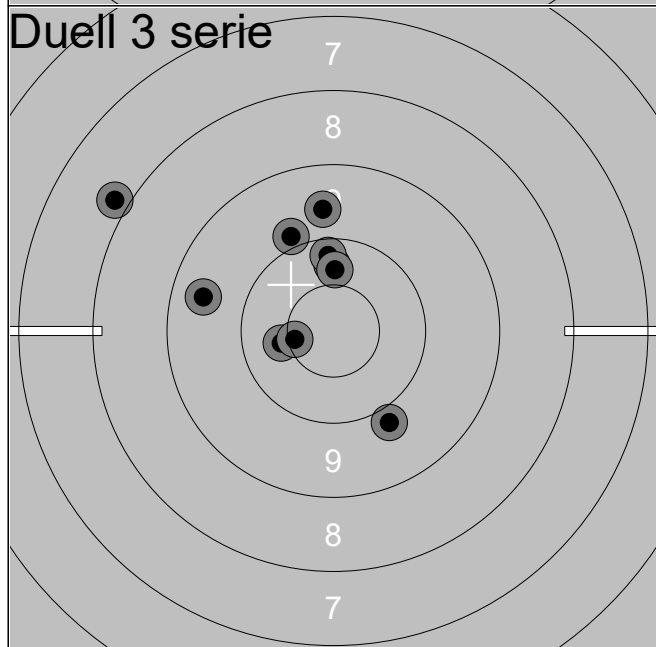
25.06.2019	NM bane 2019	NM Pistol 2019	
------------	--------------	----------------	--



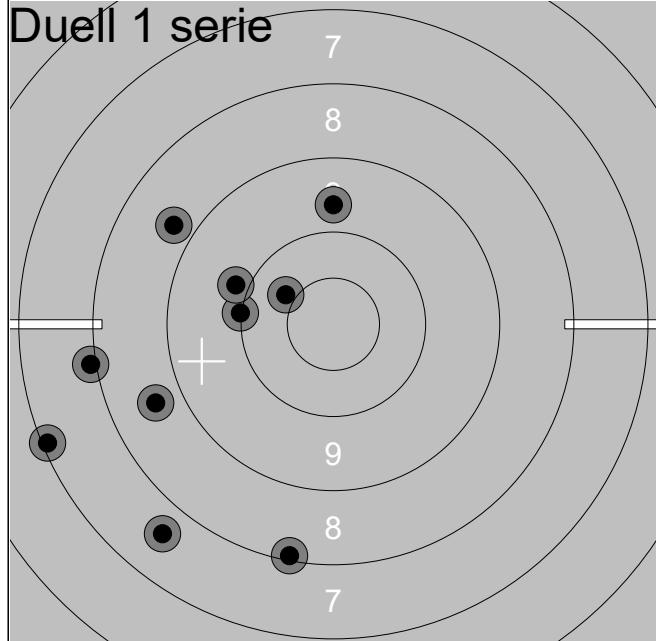
2.65s	10.3	↘
2.46s	10.1	↖
2.44s	9.1	↗
2.50s	9.1	↘
2.47s	10.1	↗
2.75s	10.1	↗
2.57s	10.3	↗
2.29s	9.6	↗
2.33s	8.6	↗
2.48s	9.7	↘
<b>Serie</b>	<b>94 ( 0x)</b>	
<b>Total</b>	<b>362 ( 0x)</b>	



2.62s	8.3	↖
2.42s	10.6x	↖
2.47s	9.6	↘
2.50s	9.4	↗
2.35s	10.5x	↘
2.54s	10.0	↗
2.60s	8.6	↖
2.67s	10.0	↘
2.58s	7.3	↘
2.40s	9.5	↖
<b>Serie</b>	<b>90 ( 2x)</b>	
<b>Total</b>	<b>452 ( 2x)</b>	



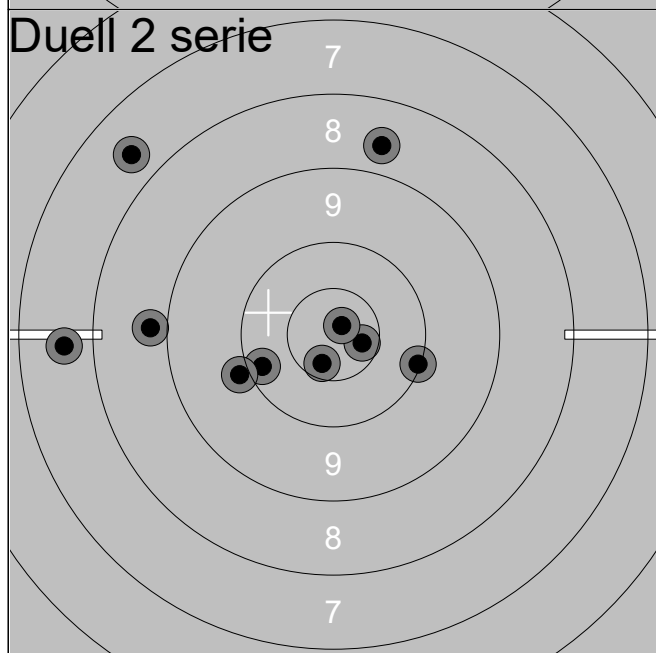
2.54s	10.4x	←
2.29s	10.3	↑
2.45s	7.9	↖
2.38s	9.7	↑
2.45s	9.5	←
2.49s	10.2	↑
2.34s	9.9	↗
2.35s	9.9	↘
2.23s	10.3	↑
2.24s	10.6x	←
<b>Serie</b>	<b>93 ( 2x)</b>	
<b>Total</b>	<b>545 ( 4x)</b>	



2.72s	8.1	↓
2.27s	9.7	↑
2.63s	7.7	↘
2.82s	7.1	←
2.64s	8.7	←
2.81s	8.0	←
2.86s	10.0	←
2.67s	10.4	↗
2.75s	8.8	↗
2.84s	9.9	←

<b>Serie</b>	<b>84 ( 0x)</b>
--------------	-----------------

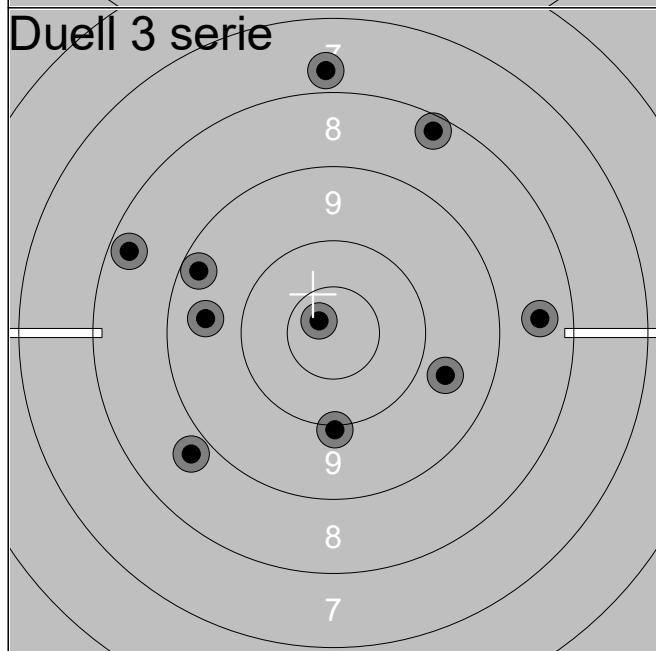
<b>Total</b>	<b>352 ( 0x)</b>
--------------	------------------



2.69s	10.6x	↓
2.78s	10.2	←
2.97s	10.1	→
2.68s	10.7x	→
2.79s	9.9	←
2.60s	10.8x	↗
2.61s	8.7	↑
2.34s	7.7	↖
3.01s	7.7	←
2.67s	8.8	←

<b>Serie</b>	<b>89 ( 3x)</b>
--------------	-----------------

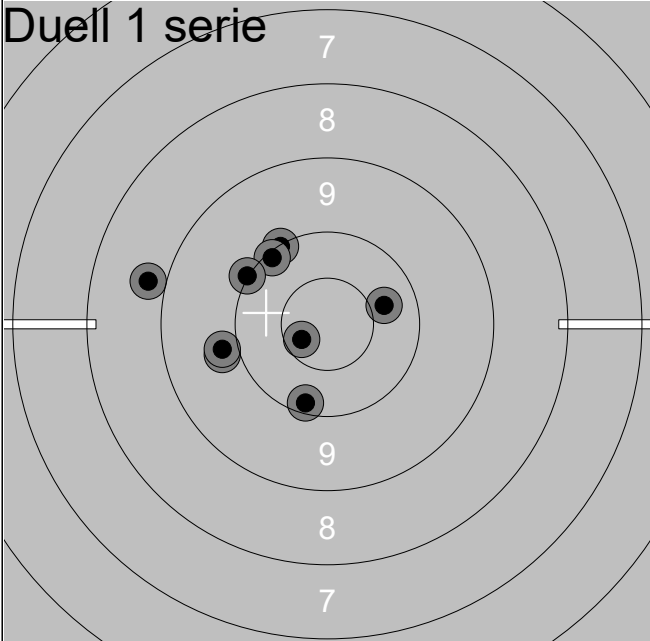
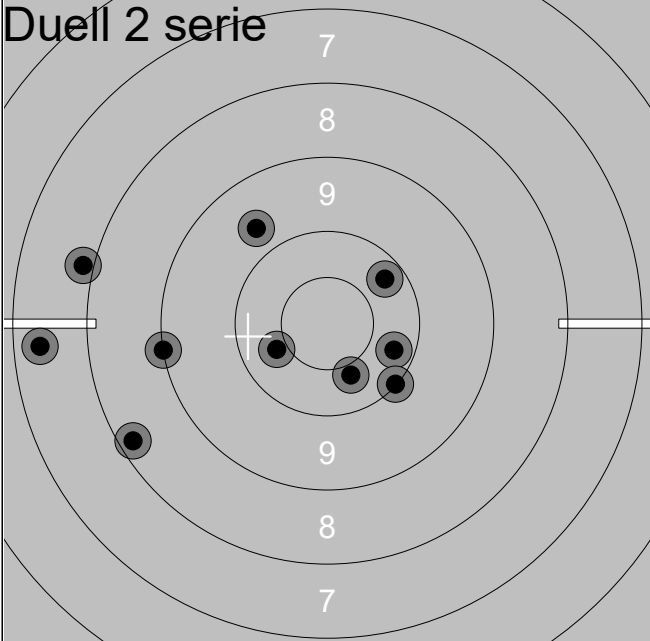
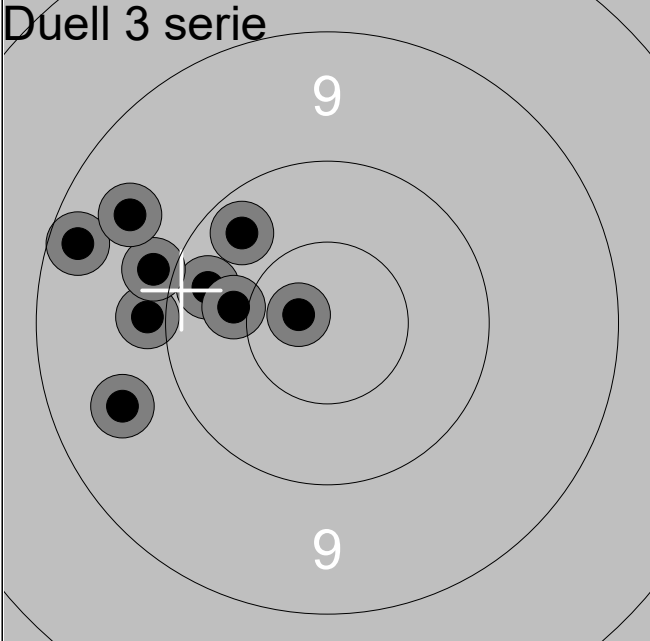
<b>Total</b>	<b>441 ( 3x)</b>
--------------	------------------

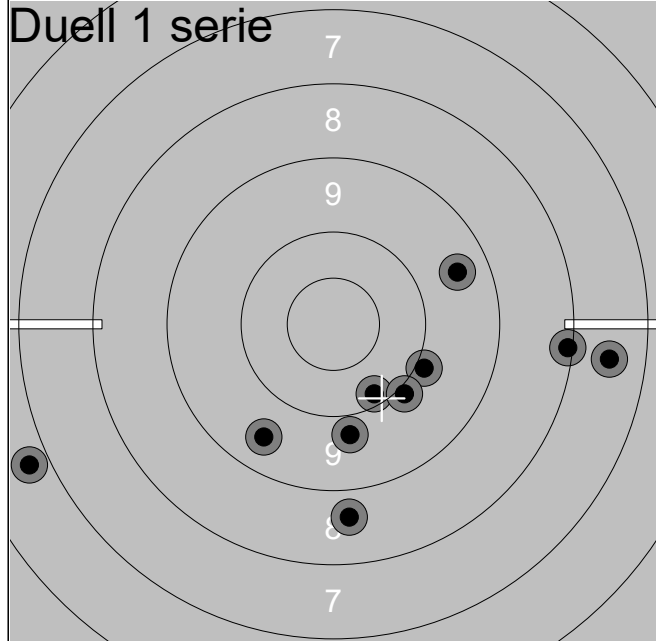


2.47s	10.0	↓
2.38s	9.3	←
2.57s	8.5	→
2.63s	10.8x	↗
2.65s	9.6	←
2.57s	9.7	→
2.65s	8.3	←
2.79s	8.8	↘
2.82s	8.3	↗
2.78s	7.8	↑

<b>Serie</b>	<b>86 ( 1x)</b>
--------------	-----------------

<b>Total</b>	<b>527 ( 4x)</b>
--------------	------------------

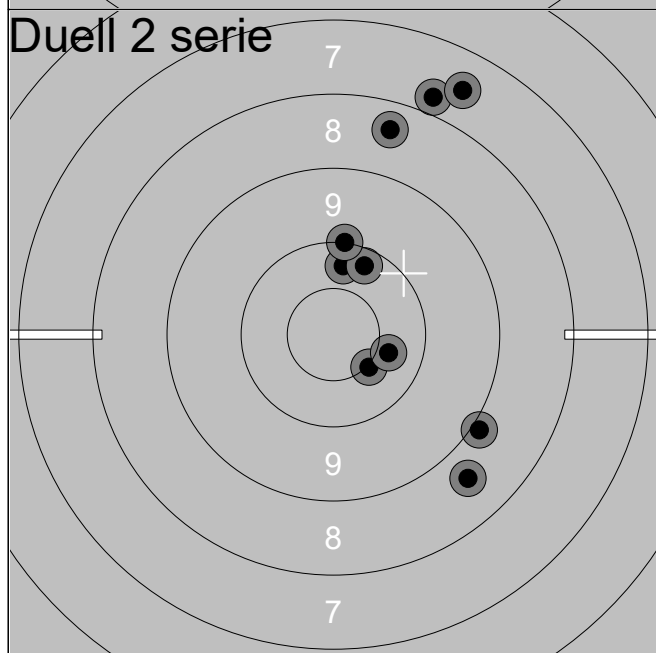
Lag <b>1</b>	Skive <b>4</b>	<b>Knut Narve Skogland</b>		
Grovpistol Duell		Trondheim Sportsskyttere		A
25.06.2019		NM bane 2019		NM Pistol 2019
<b>Duell 1 serie</b> 		2.17s	9.8	←
			--	
		2.59s	10.4	→
		2.29s	10.1	↓
		2.31s	9.9	←
		2.54s	10.1	↗
		2.79s	10.1	↗
		2.63s	8.8	←
		2.27s	10.7x	↙
		2.22s	10.0	↖
		<b>Serie</b>		<b>86 ( 1x)</b>
		<b>Total</b>		<b>354 ( 1x)</b>
<b>Duell 2 serie</b> 		2.77s	10.2	→
		2.47s	10.2	↗
		2.59s	7.9	←
		2.46s	9.1	←
		2.31s	8.2	←
		2.70s	9.7	↗
		2.47s	7.4	←
		2.41s	10.0	↓
		2.61s	10.4	↓
		2.48s	10.4	←
		<b>Serie</b>		<b>90 ( 0x)</b>
		<b>Total</b>		<b>444 ( 1x)</b>
<b>Duell 3 serie</b> 		2.41s	9.9	←
		2.58s	10.2	←
		2.54s	☐	
		2.31s	10.8x	←
		2.66s	9.9	←
		2.50s	9.3	←
		2.69s	9.6	←
		2.81s	10.3	↗
		2.52s	9.6	↖
		2.54s	10.4x	←
		<b>Serie</b>		<b>85 ( 2x)</b>
		<b>Total</b>		<b>529 ( 3x)</b>



2.35s	10.2	↘
2.49s	9.5	↘
2.63s	9.8	↘
2.54s	8.7	↘
3.03s	8.1	→
2.70s	10.0	↘
2.72s	10.0	↘
2.56s	6.8	←
2.83s	7.6	→
2.65s	9.5	↗

Serie	86 ( 0x)
-------	----------

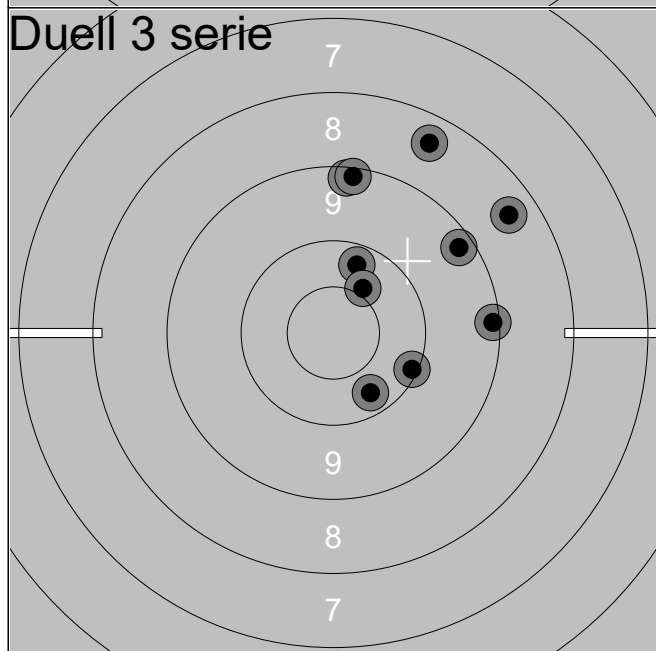
Total	353 ( 0x)
-------	-----------



2.75s	10.5x	↘
2.86s	9.0	↘
2.41s	10.3	↑
2.72s	8.7	↘
2.52s	10.2	↑
2.69s	8.4	↑
2.44s	10.4	↘
2.27s	7.8	↑
2.65s	10.0	↑
2.25s	7.6	↑

Serie	89 ( 1x)
-------	----------

Total	442 ( 1x)
-------	-----------



2.49s	9.3	↗
2.78s	10.3	↘
2.73s	10.2	↑
2.33s	10.1	↘
2.31s	10.4x	↑
2.45s	9.2	↑
2.31s	9.2	→
2.31s	8.5	↗
2.57s	8.4	↑
2.22s	9.2	↑

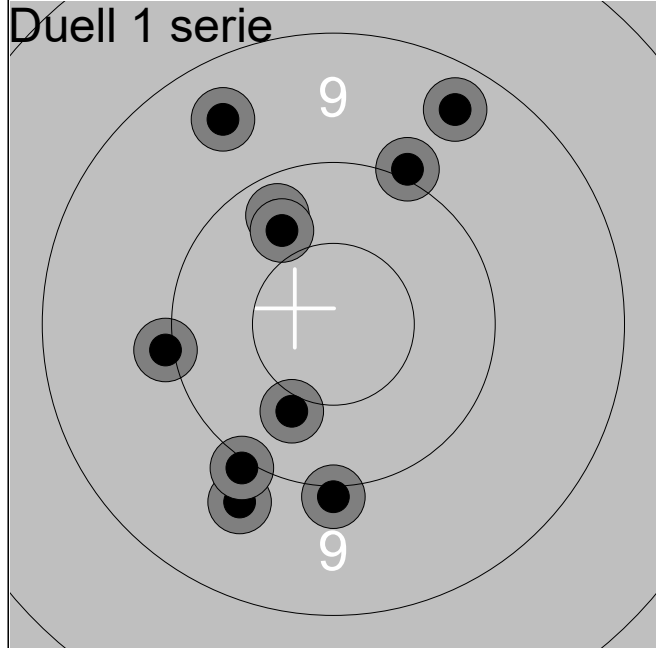
Serie	92 ( 1x)
-------	----------

Total	534 ( 2x)
-------	-----------

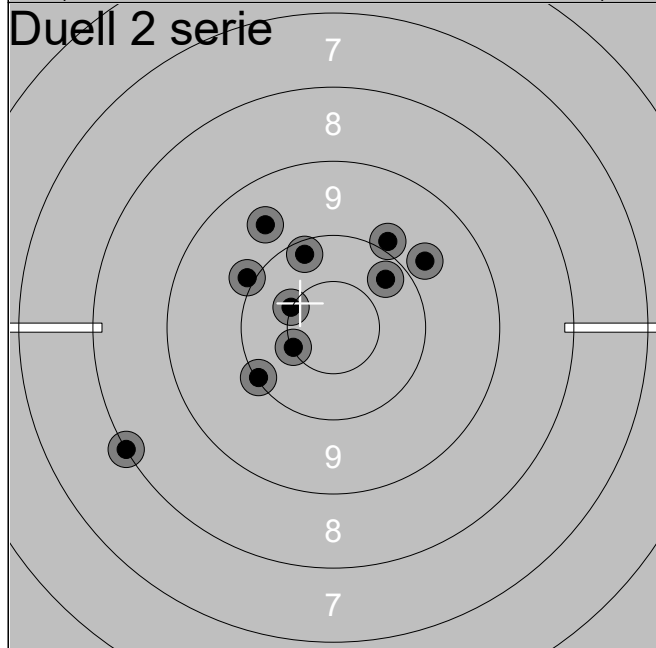
Lag <b>1</b>	Skive <b>6</b>	<b>Arild Inge Wollan</b>	
-----------------	-------------------	--------------------------	--

Grovpistol Duell	Støren SSK	A	
------------------	------------	---	--

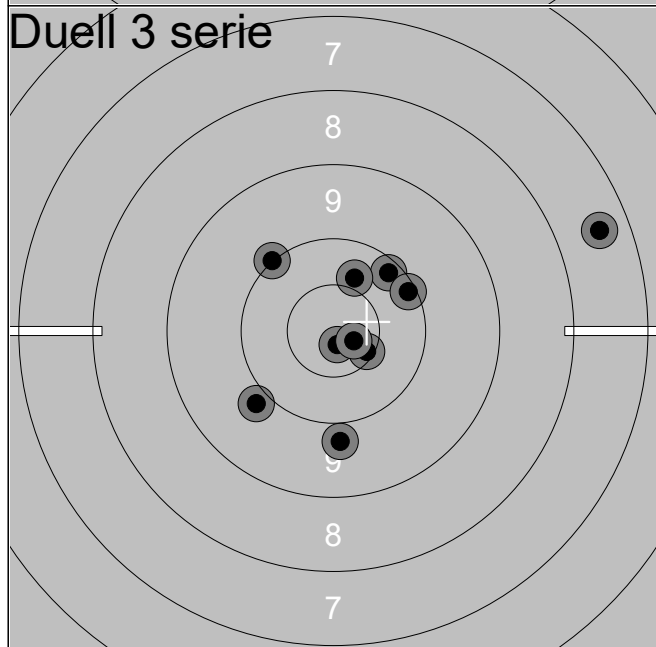
25.06.2019	NM bane 2019	NM Pistol 2019	
------------	--------------	----------------	--



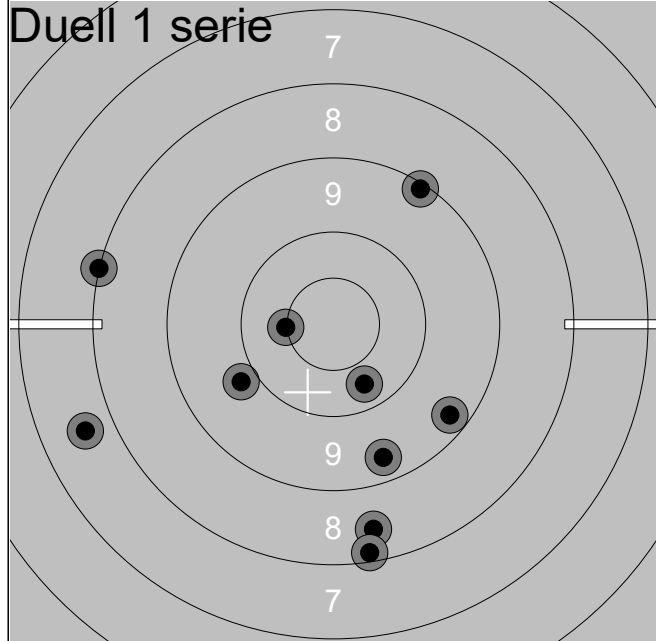
2.54s	10.0	↓
2.56s	10.4	↓
2.27s	9.8	↓
2.71s	10.3	↗
2.25s	9.5	↗
2.27s	10.0	←
2.38s	9.4	↗
2.37s	10.0	↓
2.43s	10.0	↗
2.50s	10.3	↗
<b>Serie</b>	<b>97 ( 0x)</b>	
<b>Total</b>	<b>363 ( 0x)</b>	



2.34s	9.8	↗
2.31s	10.1	←
2.35s	10.2	↗
2.25s	10.2	↗
2.40s	10.5x	↖
2.38s	9.9	↗
2.39s	10.0	↖
2.35s	8.1	←
2.18s	10.5x	←
2.35s	9.7	↗
<b>Serie</b>	<b>95 ( 2x)</b>	
<b>Total</b>	<b>458 ( 2x)</b>	



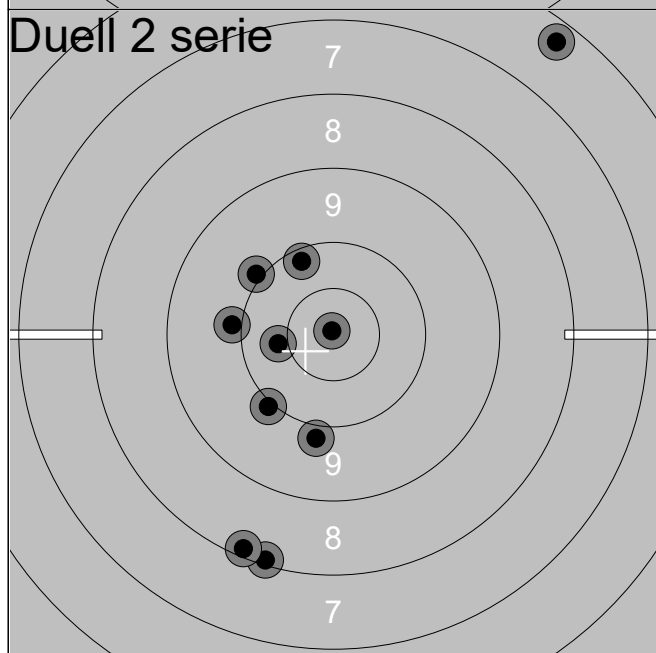
2.34s	10.6x	↘
2.61s	9.8	↓
2.45s	10.8x	↓
2.48s	10.2	↗
2.65s	7.5	→
2.58s	10.0	↗
2.58s	10.7x	↘
2.45s	9.9	↖
2.50s	10.1	↗
2.37s	10.4	↗
<b>Serie</b>	<b>95 ( 3x)</b>	
<b>Total</b>	<b>553 ( 5x)</b>	



2.69s	7.7	←
2.63s	8.5	↓
2.60s	9.4	↓
2.80s	10.3	↓
2.72s	8.2	↓
2.50s	9.8	←
2.50s	8.1	←
2.75s	9.3	↘
2.70s	9.1	↗
2.74s	10.5x	←

Serie 87 ( 1x)

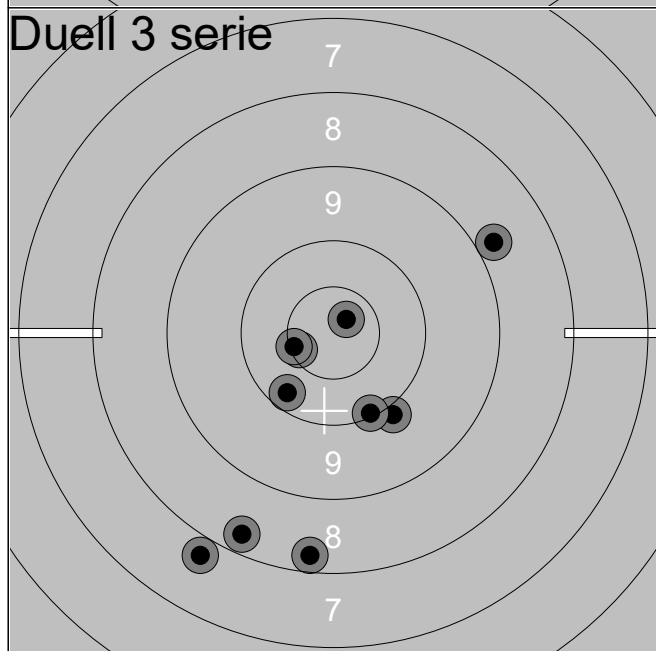
Total 353 ( 1x)



2.60s	10.9x	↗
2.41s	10.0	↓
2.96s	9.9	←
2.49s	10.2	↗
2.67s	8.1	↓
2.42s	10.0	↖
2.45s	10.4	←
2.82s	6.3	↗
2.61s	9.9	↓
2.52s	8.2	↓

Serie 90 ( 1x)

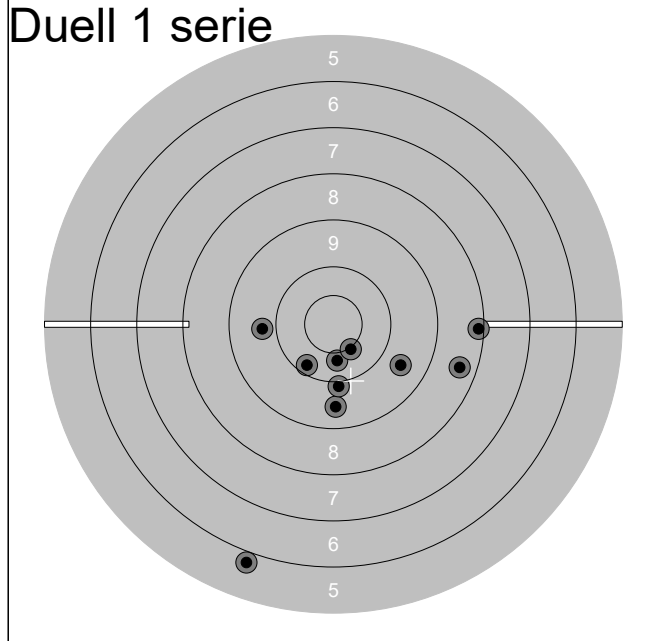
Total 443 ( 2x)



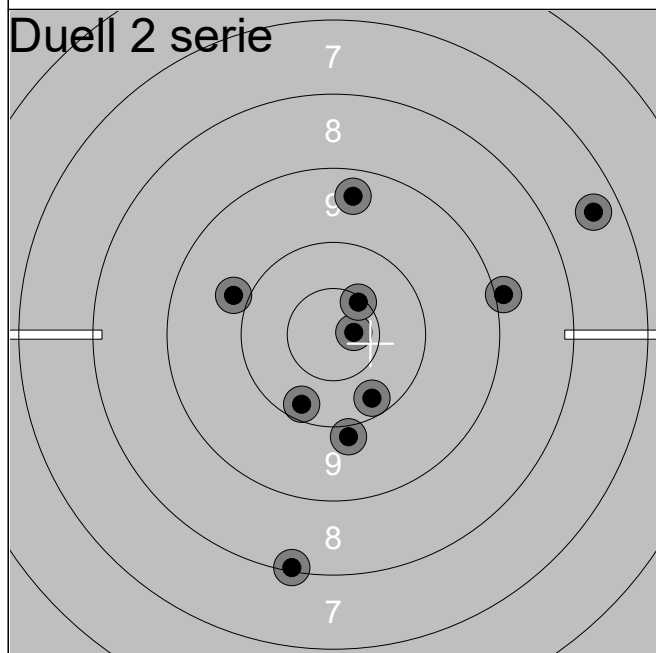
2.47s	10.6x	←
2.66s	10.0	↘
2.33s	8.8	↗
2.50s	10.8x	↗
2.63s	10.5x	←
2.61s	8.3	↓
2.60s	10.2	↓
2.77s	10.1	↓
2.56s	7.8	↓
2.80s	8.3	↓

Serie 91 ( 3x)

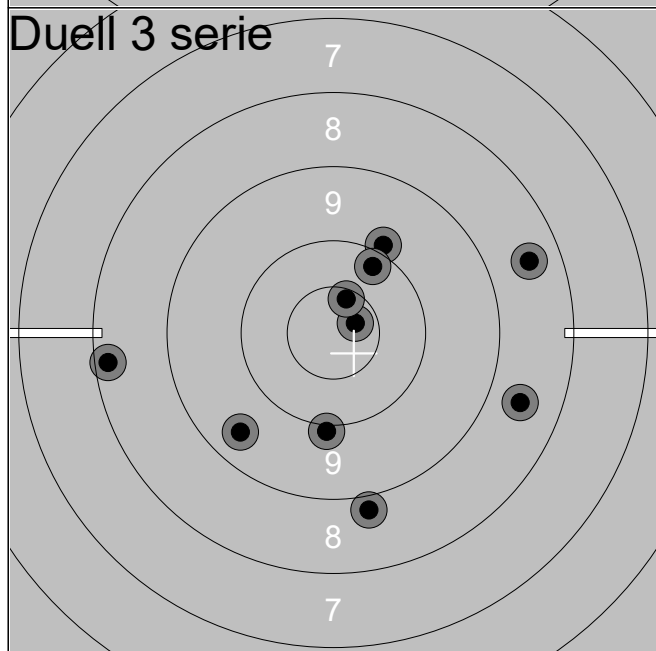
Total 534 ( 5x)



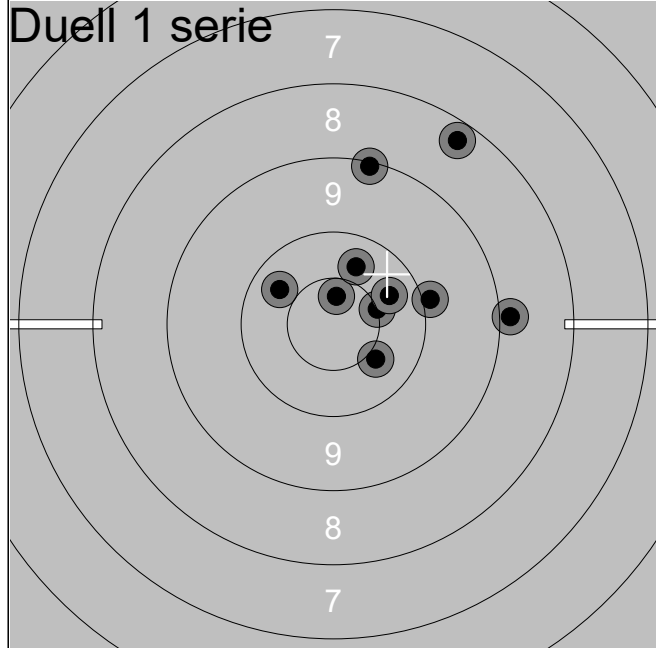
2.34s	8.4	→
2.27s	9.5	↓
2.35s	5.8	↓
2.37s	10.2	↙
1.94s	8.2	→
2.29s	9.8	←
2.23s	10.0	↓
2.25s	10.4	↓
2.31s	10.5x	↘
2.12s	9.6	↘
<b>Serie</b>		<b>88 ( 1x)</b>
<b>Total</b>		<b>354 ( 1x)</b>



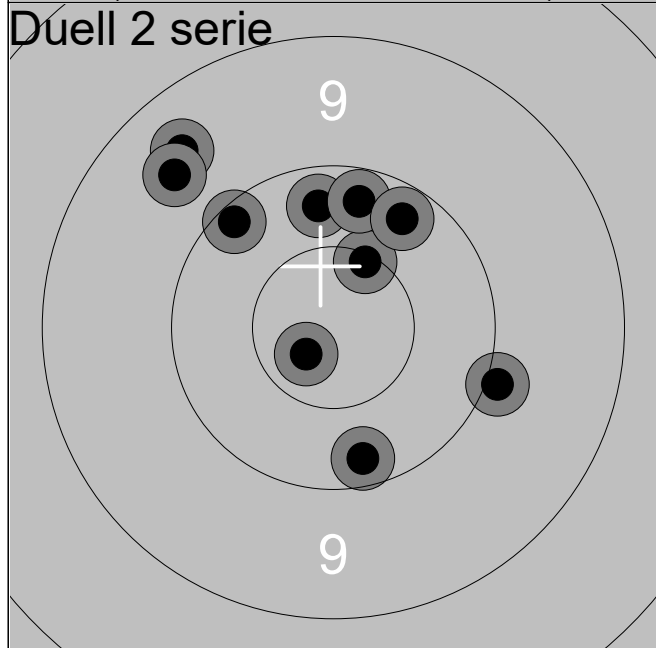
2.36s	10.2	↘
2.50s	7.4	→
2.49s	9.9	↓
2.21s	9.4	↑
2.13s	8.1	↓
2.34s	10.2	↓
2.37s	9.9	←
2.06s	10.7x	→
2.37s	9.0	→
2.12s	10.5x	↗
<b>Serie</b>		<b>91 ( 2x)</b>
<b>Total</b>		<b>445 ( 3x)</b>



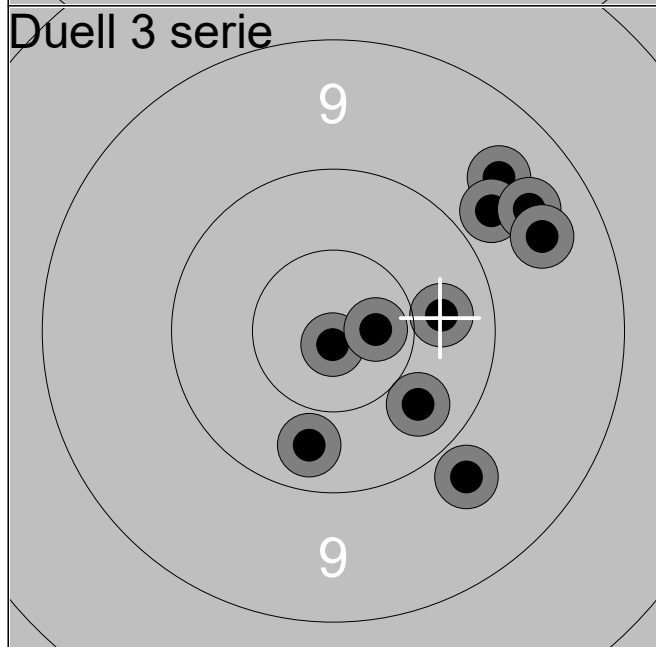
2.45s	10.7x	↗
2.54s	8.2	←
2.09s	8.6	→
2.22s	8.5	→
2.29s	9.5	↙
2.57s	10.0	↗
2.43s	10.0	↓
2.21s	8.9	↓
2.41s	10.6x	↗
2.50s	10.2	↗
<b>Serie</b>		<b>91 ( 2x)</b>
<b>Total</b>		<b>536 ( 5x)</b>



2.42s	10.3	↖
2.31s	10.4x	↘
2.29s	8.3	↗
2.31s	10.5x	→
2.41s	10.0	→
2.37s	10.7x	↑
2.37s	10.3	↗
2.31s	10.3	↑
2.17s	8.9	→
2.23s	9.1	↑
<b>Serie</b>		<b>95 ( 3x)</b>
<b>Total</b>		<b>361 ( 3x)</b>

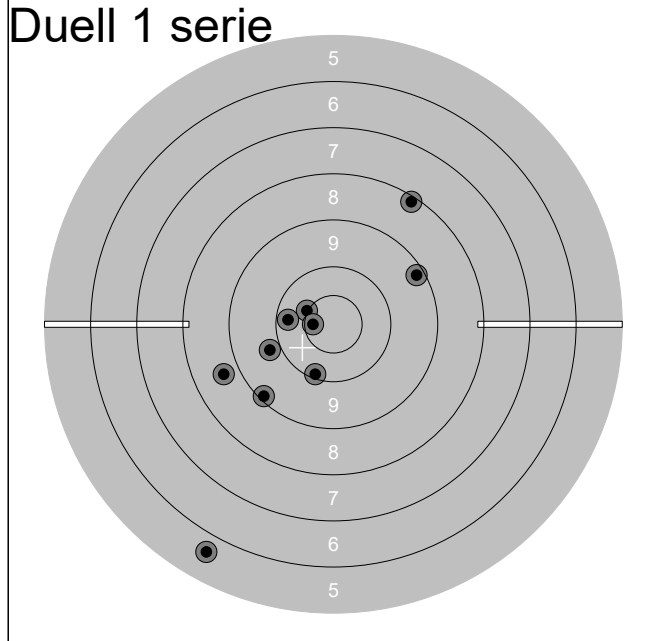


2.50s	9.5	↖
2.48s	10.3	↑
2.27s	10.2	↘
2.11s	10.5x	↗
2.29s	10.0	→
2.63s	10.1	↖
2.22s	10.7x	↙
2.22s	9.6	↖
2.20s	10.2	↑
2.14s	10.2	↗
<b>Serie</b>		<b>98 ( 2x)</b>
<b>Total</b>		<b>459 ( 5x)</b>



2.35s	10.9x	↓
2.35s	10.3	→
2.29s	10.3	↘
2.18s	9.6	↗
2.17s	10.3	↓
2.25s	10.7x	→
2.29s	9.8	↗
2.14s	9.5	↗
2.27s	9.8	↘
2.21s	9.6	↗
<b>Serie</b>		<b>95 ( 2x)</b>
<b>Total</b>		<b>554 ( 7x)</b>

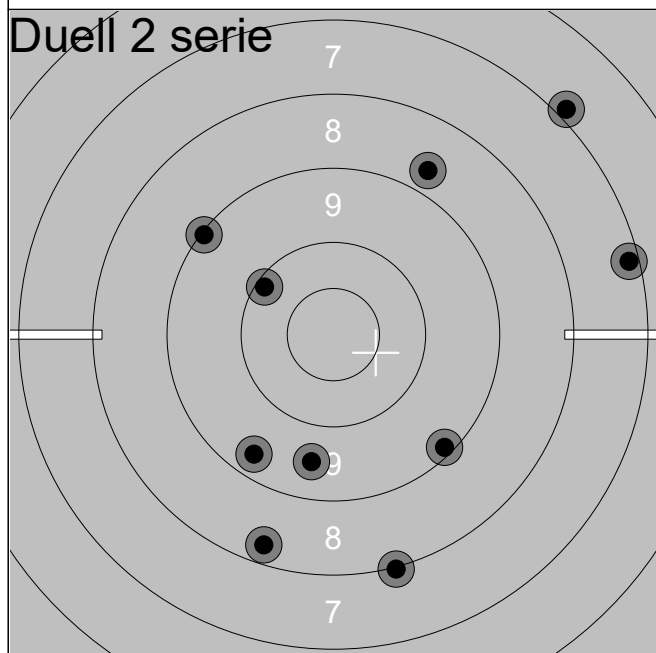




2.31s	9.8	←
2.47s	9.2	→
2.47s	10.1	↓
2.37s	10.5x	↖
2.31s	10.2	←
2.20s	8.2	↗
2.43s	10.6x	←
2.52s	5.7	↓
2.40s	9.2	↘
2.56s	8.7	←

**Serie** **88 ( 2x)**

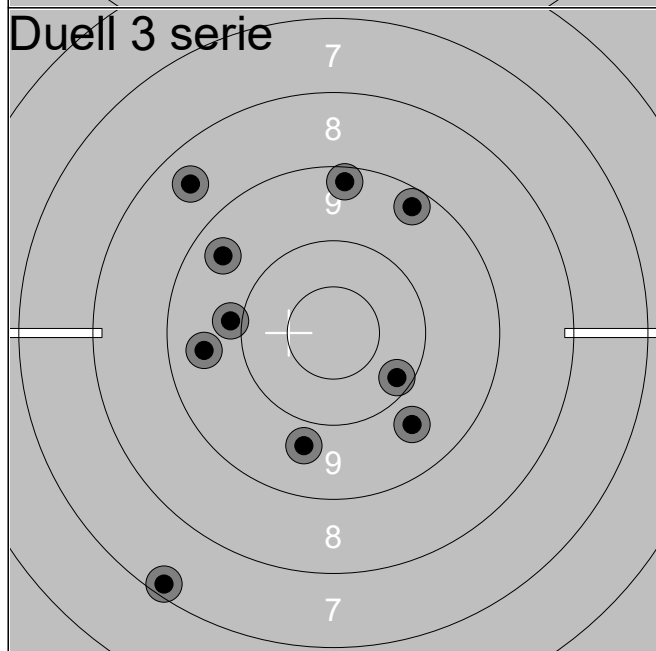
**Total** **354 ( 2x)**



2.54s	8.3	↓
2.42s	8.0	↓
2.36s	9.4	↓
2.24s	9.1	↗
2.52s	9.2	↘
2.41s	10.1	↗
2.66s	6.9	↗
2.35s	8.8	↗
2.45s	9.6	↓
2.46s	7.2	→

**Serie** **83 ( 0x)**

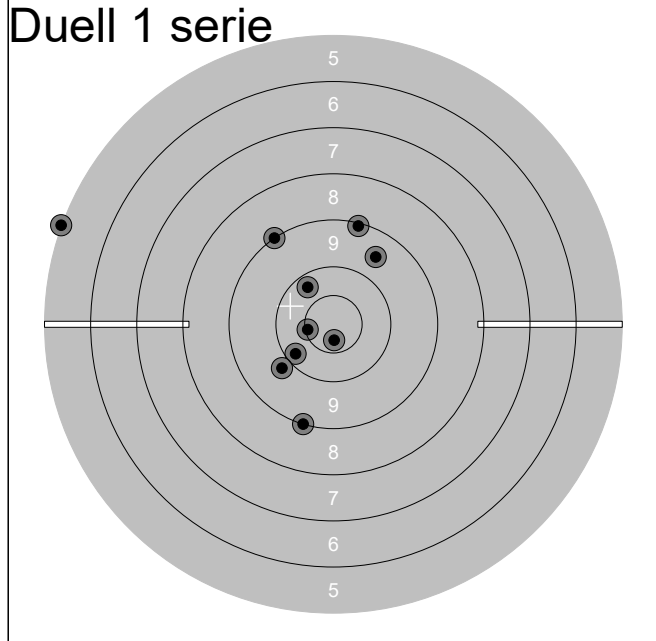
**Total** **437 ( 2x)**



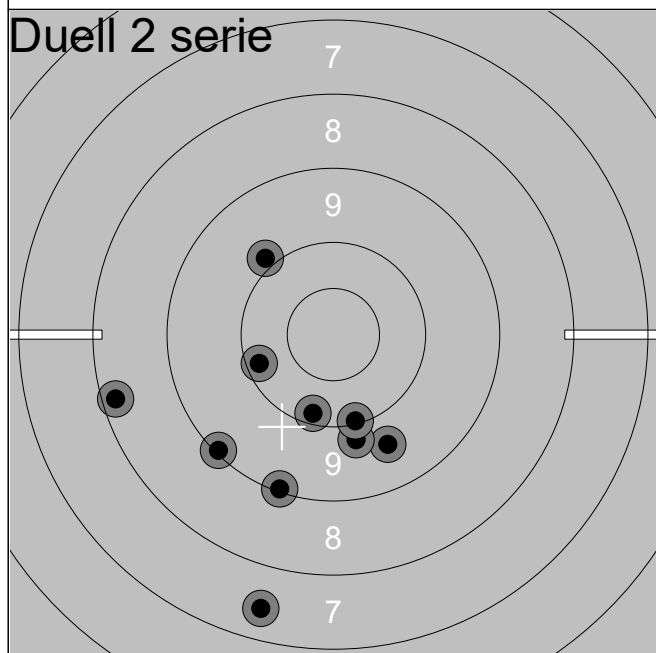
2.40s	9.5	↖
2.49s	9.9	←
2.54s	9.3	↑
2.39s	9.7	↘
2.57s	9.7	↓
2.24s	8.5	↗
2.68s	10.2	↘
2.27s	9.6	←
2.46s	9.3	↗
2.31s	7.2	↓

**Serie** **88 ( 0x)**

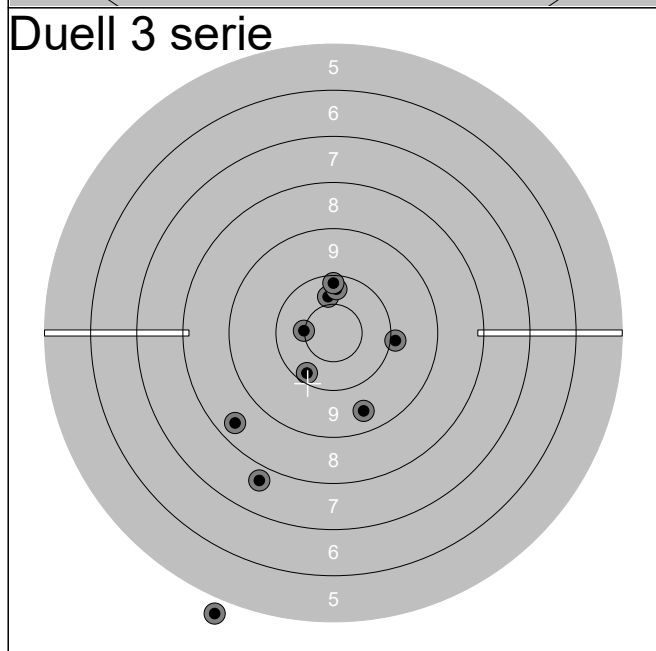
**Total** **525 ( 2x)**



2.25s	9.6	↗
2.22s	10.2	↖
2.40s	10.7x	↓
2.29s	10.2	↙
2.35s	5.1	←
2.40s	9.1	↓
2.41s	9.1	↑
2.34s	9.1	↗
2.33s	10.5x	←
2.19s	9.9	↙
<b>Serie</b>		<b>90 ( 2x)</b>
<b>Total</b>		<b>354 ( 2x)</b>



2.37s	9.1	↓
2.22s	9.7	↓
2.17s	9.9	↗
2.19s	10.2	←
2.23s	7.5	↓
2.20s	10.2	↓
2.34s	9.9	↓
2.24s	9.1	↙
2.52s	10.1	↓
2.34s	8.3	←
<b>Serie</b>		<b>90 ( 0x)</b>
<b>Total</b>		<b>444 ( 2x)</b>

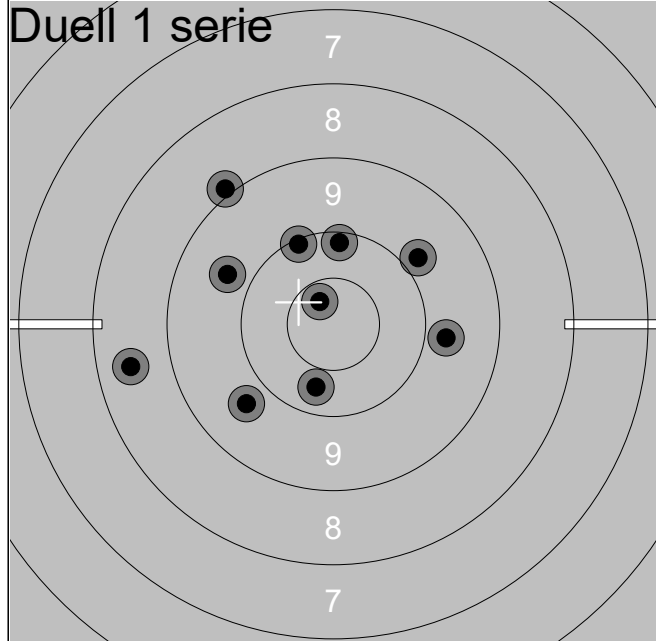


2.43s	10.4	↑
2.21s	9.5	↓
2.38s	0.0	↓
2.10s	7.8	↓
2.31s	10.3	↑
2.15s	10.2	↙
2.13s	10.0	→
2.31s	8.4	↙
2.56s	10.2	↑
2.19s	10.5x	←
<b>Serie</b>		<b>84 ( 1x)</b>
<b>Total</b>		<b>528 ( 3x)</b>

Lag <b>1</b>	Skive <b>12</b>	<b>Tord Esten Murbreck</b>
-----------------	--------------------	----------------------------

Grovpistol Duell	Hamar SSK	A
------------------	-----------	---

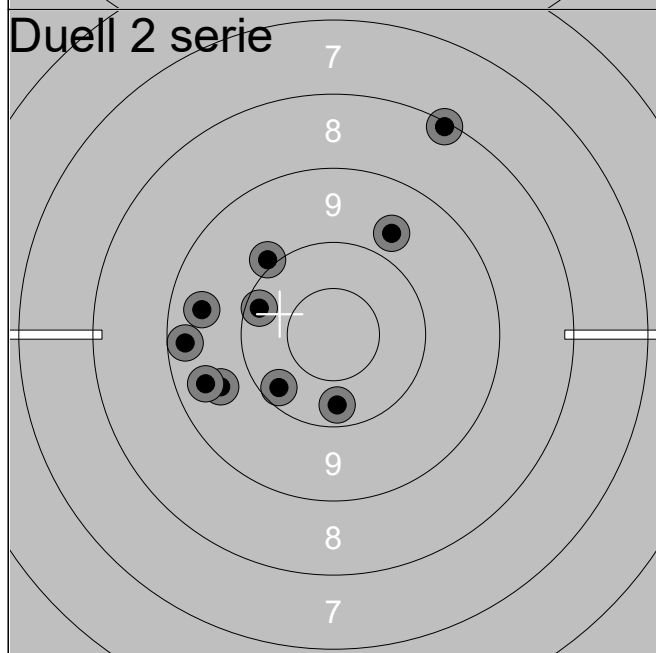
25.06.2019	NM bane 2019	NM Pistol 2019
------------	--------------	----------------



2.70s	9.7	↙
2.41s	9.7	↖
2.64s	9.8	→
2.67s	8.5	↖
2.54s	10.1	↑
2.62s	10.7x	↗
2.35s	10.3	↓
2.49s	10.1	↑
2.40s	9.0	↖
2.57s	9.9	↗

Serie	93 ( 1x)
-------	----------

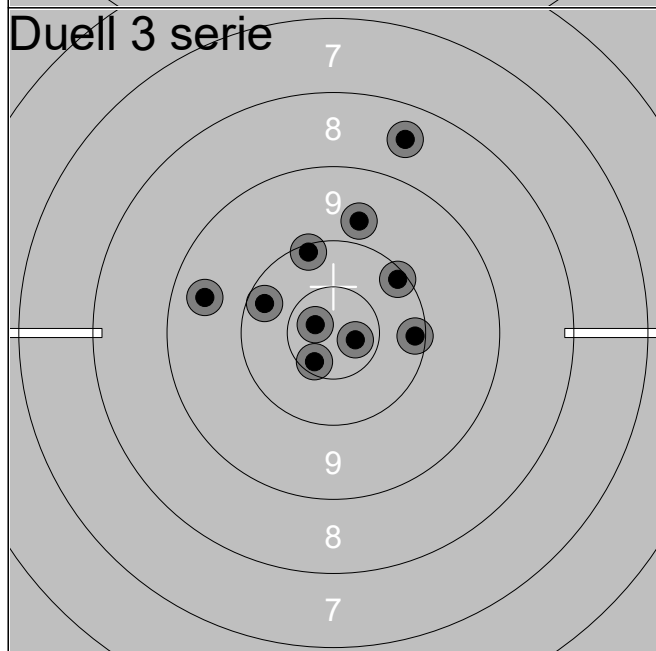
Total	357 ( 1x)
-------	-----------



2.63s	10.0	↖
2.50s	8.1	↑
2.54s	9.6	↖
2.50s	9.5	↖
2.52s	9.3	↖
2.68s	10.3	↓
2.43s	9.5	↖
2.58s	10.2	↖
2.92s	10.2	↙
2.52s	9.7	↑

Serie	93 ( 0x)
-------	----------

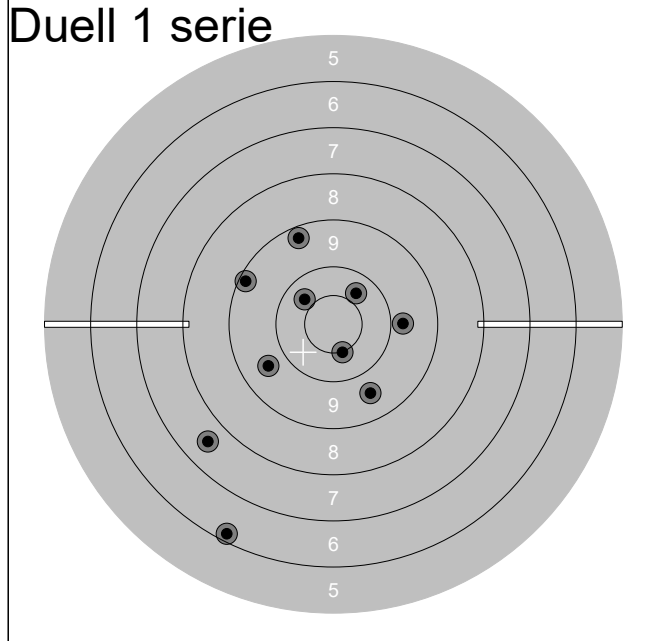
Total	450 ( 1x)
-------	-----------



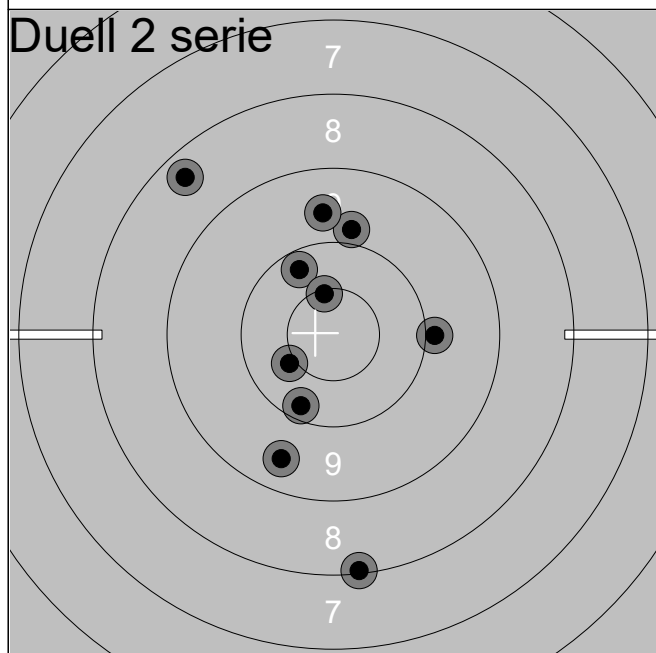
2.52s	10.7x	↖
2.47s	10.2	↖
2.45s	10.6x	↙
2.27s	10.7x	→
2.52s	9.8	↑
2.52s	8.5	↑
2.59s	9.5	↖
2.52s	10.1	→
2.62s	10.1	↑
2.65s	10.1	↗

Serie	96 ( 3x)
-------	----------

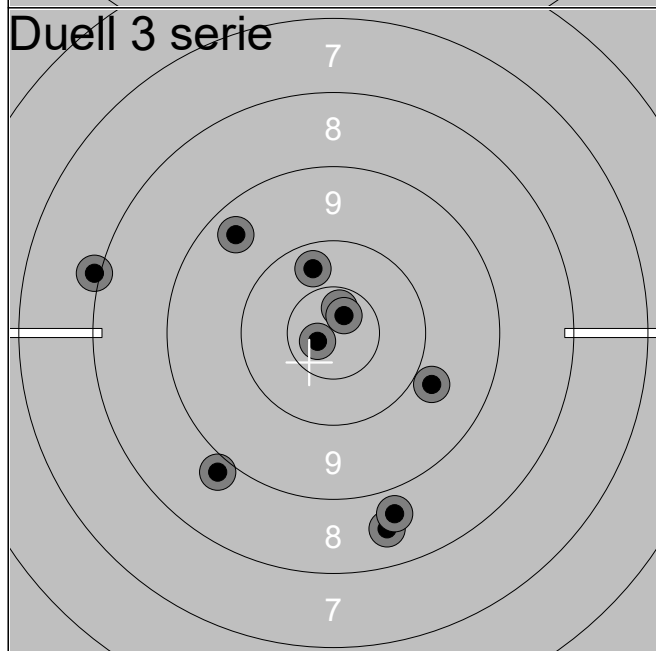
Total	546 ( 4x)
-------	-----------



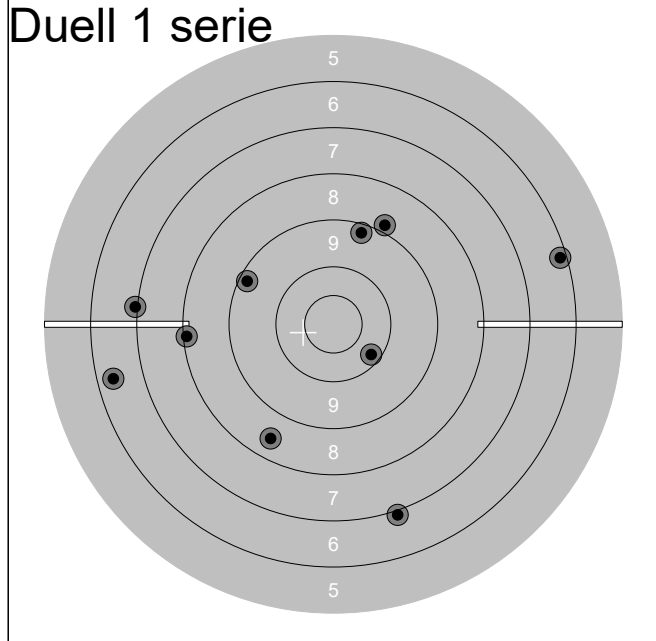
	2.31s	10.5x	↓
	2.75s	9.3	↑
	2.47s	10.3	↗
	2.64s	9.2	↖
	2.62s	10.3	↗
	2.54s	7.6	↙
	2.61s	9.6	↙
	2.52s	6.2	↓
	2.68s	9.8	→
	2.49s	9.6	↓
<b>Serie</b>			<b>88 ( 1x)</b>
<b>Total</b>			<b>352 ( 1x)</b>



	2.23s	9.9	→
	2.65s	8.4	↗
	2.58s	9.5	↓
	2.54s	10.2	↗
	2.79s	9.9	↑
	2.23s	10.4x	↖
	2.52s	8.1	↓
	2.62s	10.2	↓
	2.50s	9.7	↑
	2.56s	10.5x	↑
<b>Serie</b>			<b>92 ( 2x)</b>
<b>Total</b>			<b>444 ( 3x)</b>



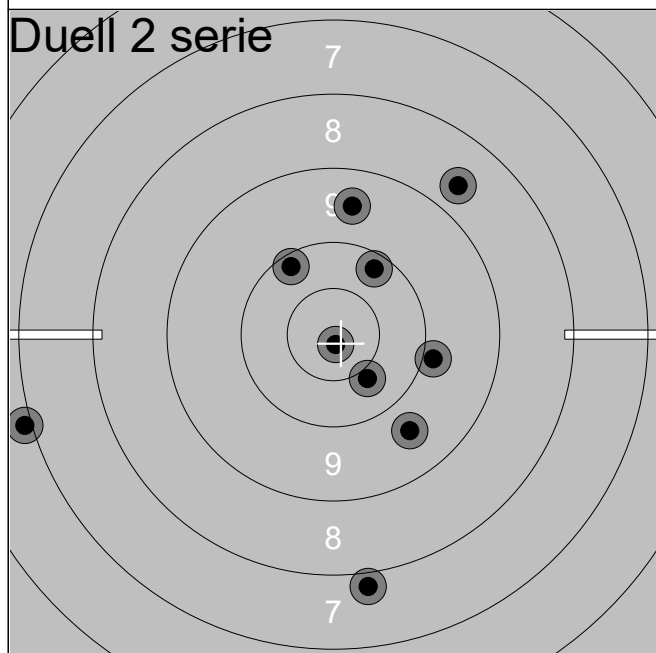
	2.34s	9.4	↗
	2.42s	9.8	↘
	2.36s	8.6	↓
	2.40s	8.9	↙
	2.33s	10.7x	↑
	2.12s	10.7x	↗
	2.38s	10.8x	↖
	2.47s	8.0	↖
	2.38s	10.3	↑
	2.40s	8.7	↓
<b>Serie</b>			<b>90 ( 3x)</b>
<b>Total</b>			<b>534 ( 6x)</b>



1.79s	6.2	→
2.41s	9.2	↖
2.63s	7.0	←
2.23s	8.5	↙
2.34s	8.1	←
2.36s	9.2	↑
2.50s	6.4	←
2.63s	7.0	↘
2.35s	8.9	↗
2.49s	10.2	↘

<b>Serie</b>	<b>78 ( 0x)</b>
--------------	-----------------

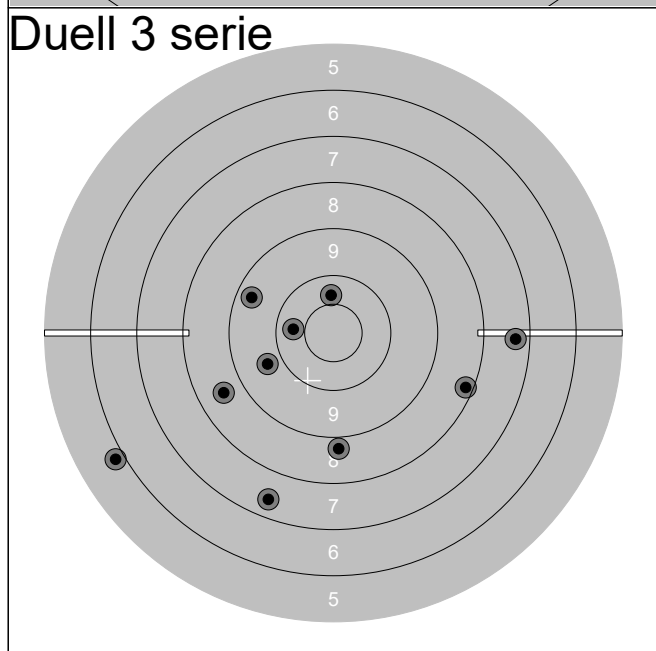
<b>Total</b>	<b>341 ( 0x)</b>
--------------	------------------



2.33s	8.7	↗
2.61s	10.2	↗
2.62s	9.6	↑
2.37s	9.7	↘
2.27s	10.9x	↘
2.29s	10.2	↗
2.27s	7.0	←
2.36s	9.9	→
2.25s	7.9	↘
2.23s	10.4	↘

<b>Serie</b>	<b>89 ( 1x)</b>
--------------	-----------------

<b>Total</b>	<b>430 ( 1x)</b>
--------------	------------------



2.16s	9.7	←
2.65s	5.9	←
2.54s	10.3	←
2.66s	8.6	←
2.27s	9.4	↖
2.19s	7.5	↘
2.40s	8.8	↘
2.29s	10.4	↑
2.73s	8.2	→
2.64s	7.4	→

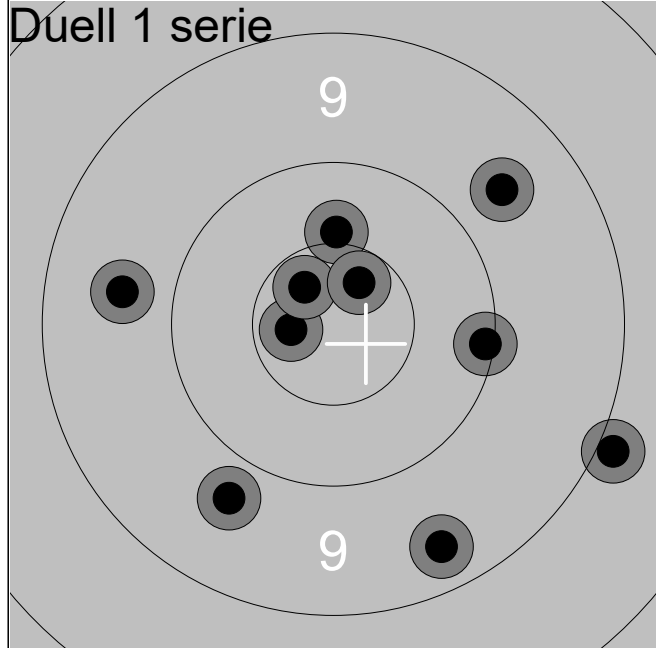
<b>Serie</b>	<b>81 ( 0x)</b>
--------------	-----------------

<b>Total</b>	<b>511 ( 1x)</b>
--------------	------------------

Lag <b>1</b>	Skive <b>15</b>	<b>Espen Magnussen</b>	
-----------------	--------------------	------------------------	--

Grovpistol Duell	Sola PK	A	
------------------	---------	---	--

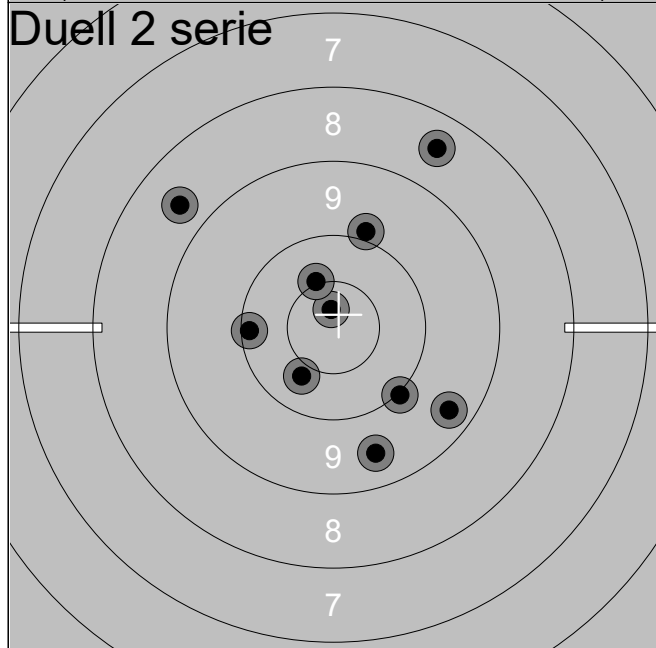
25.06.2019	NM bane 2019	NM Pistol 2019	
------------	--------------	----------------	--



2.36s	9.7	←
2.24s	10.7x	←
2.50s	10.7x	↗
2.52s	10.4x	↑
2.52s	8.9	→
2.38s	9.4	↓
2.33s	10.1	→
2.46s	9.7	↗
2.44s	10.7x	↗
2.81s	9.8	↓

Serie	94 ( 4x)
-------	----------

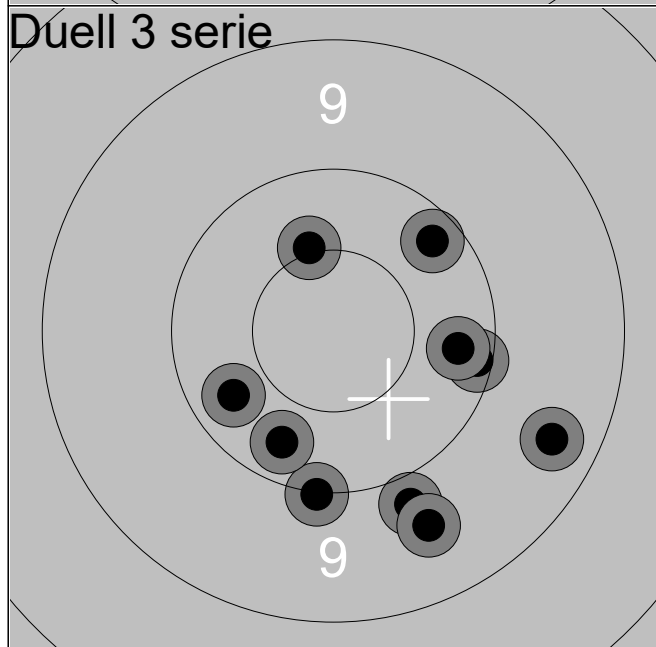
Total	357 ( 4x)
-------	-----------



2.50s	8.7	↖
2.17s	10.1	←
2.58s	10.4	↓
2.33s	10.0	↓
2.48s	9.4	↓
2.58s	8.5	↗
2.42s	9.5	↓
2.24s	9.9	↗
2.24s	10.8x	↑
2.50s	10.5x	↗

Serie	93 ( 2x)
-------	----------

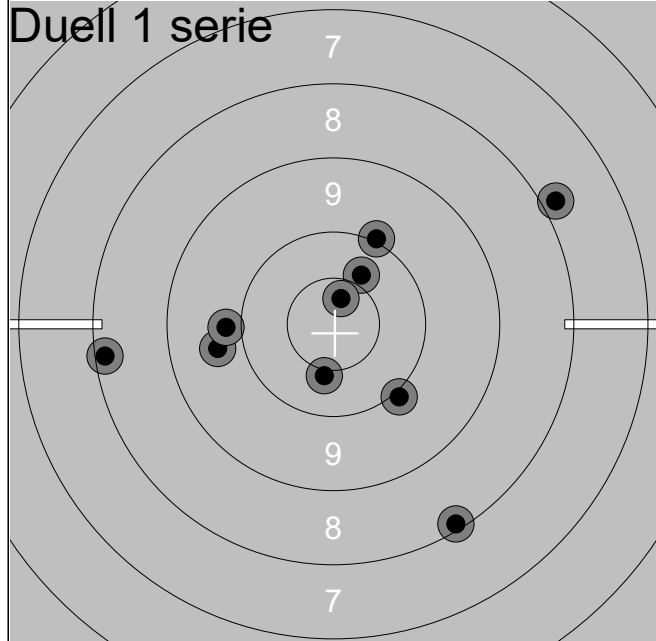
Total	450 ( 6x)
-------	-----------



2.35s	10.3	↖
2.24s	10.5x	↑
2.39s	10.1	→
2.36s	10.2	→
2.35s	10.0	↓
2.67s	9.9	↓
2.37s	9.4	↘
2.57s	9.6	↓
2.54s	10.2	↗
2.63s	10.3	↓

Serie	97 ( 1x)
-------	----------

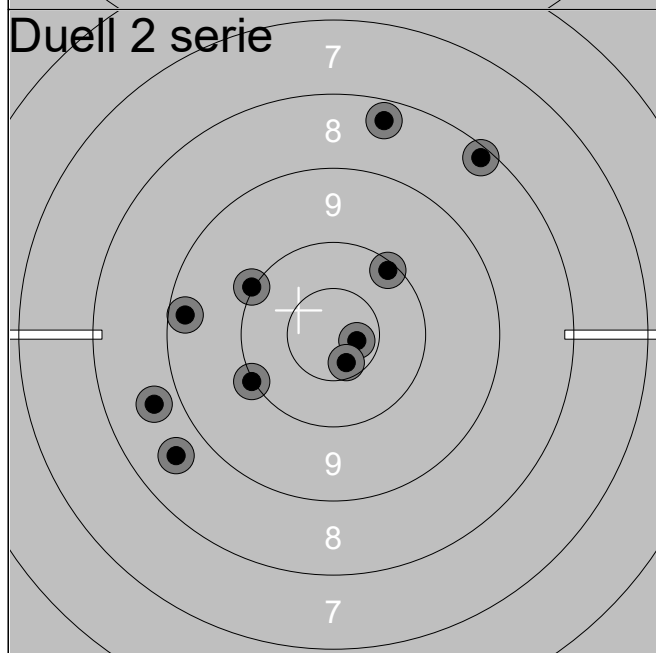
Total	547 ( 7x)
-------	-----------



2.57s	10.4	↗
2.39s	10.4x	↓
2.35s	8.2	←
2.27s	8.1	↘
2.50s	10.0	↗
2.40s	10.7x	↗
2.25s	9.7	←
2.29s	9.9	←
2.52s	10.0	↘
2.27s	7.9	↗

Serie	91 ( 2x)
-------	----------

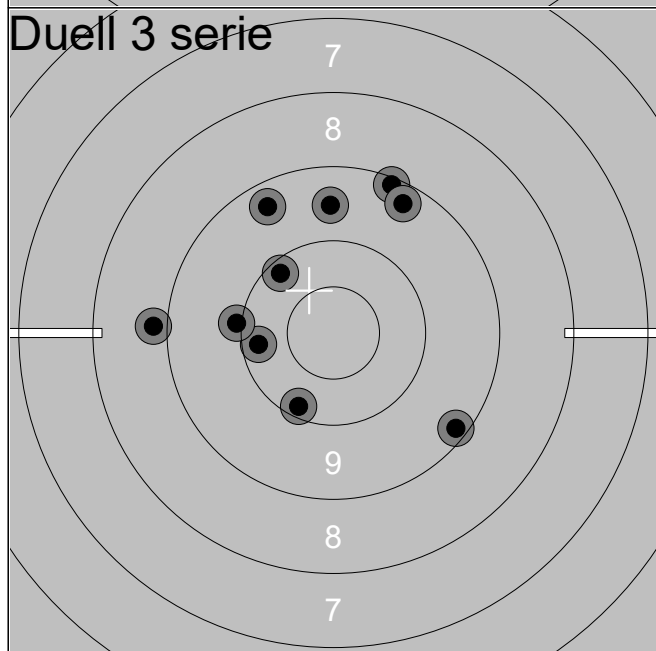
Total	353 ( 2x)
-------	-----------



2.29s	8.2	↗
2.38s	10.7x	→
2.25s	10.0	↖
2.35s	10.6x	↓
2.27s	10.0	↖
2.31s	9.3	←
2.36s	8.3	↑
2.41s	8.6	↖
2.74s	10.1	↗
2.29s	8.7	←

Serie	91 ( 2x)
-------	----------

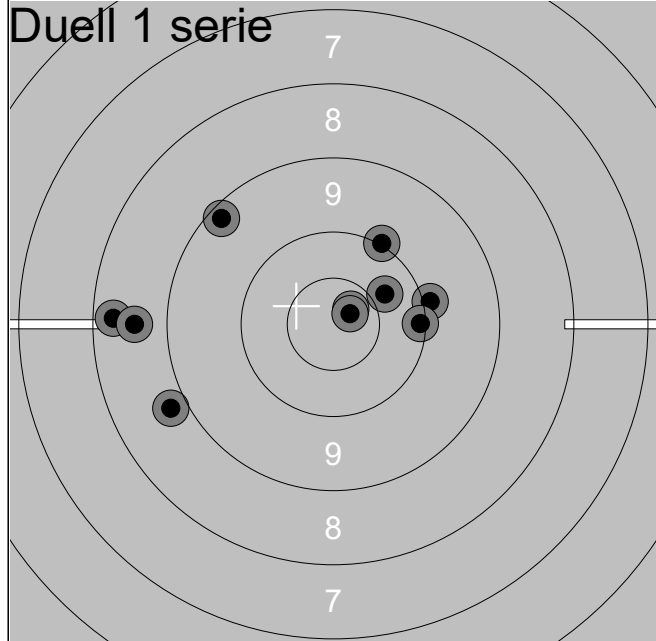
Total	444 ( 4x)
-------	-----------



2.24s	9.6	↑
2.40s	9.4	↖
2.42s	10.1	↓
2.31s	9.2	↗
2.61s	9.2	↘
2.25s	10.2	←
2.36s	10.0	←
2.34s	10.2	↗
2.25s	9.3	↗
2.36s	8.9	←

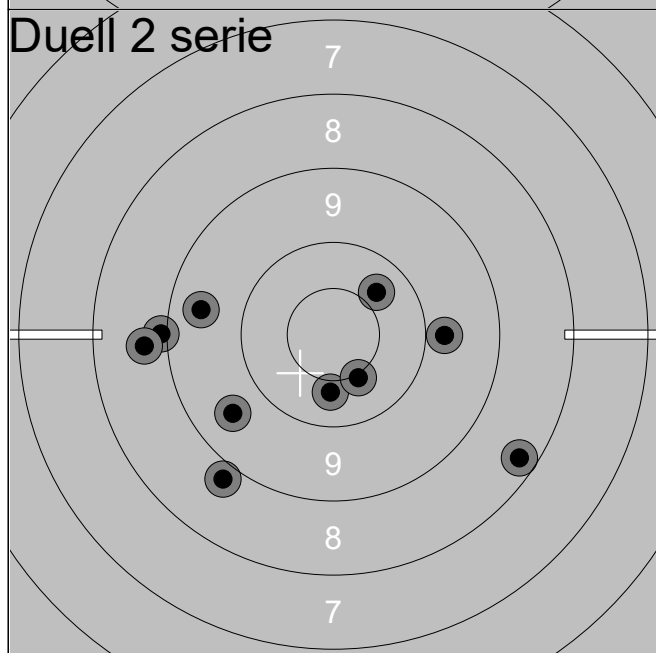
Serie	93 ( 0x)
-------	----------

Total	537 ( 4x)
-------	-----------



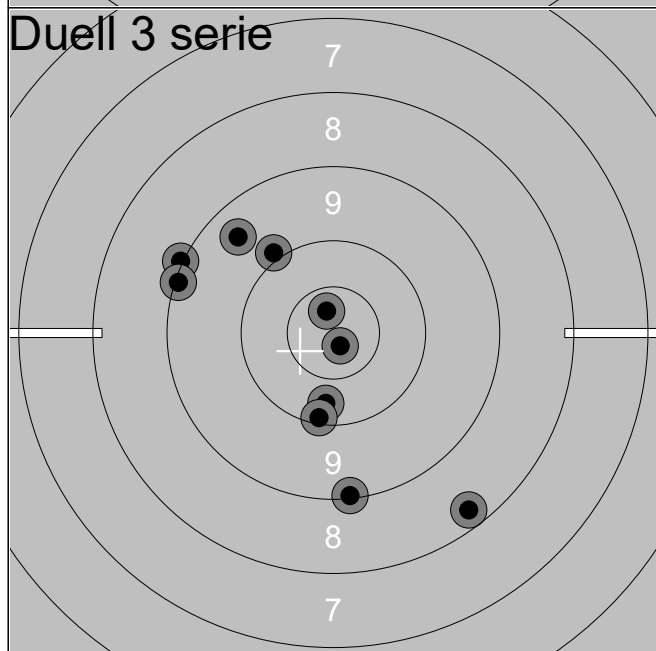
2.97s	10.0	→
2.91s	10.7x	↗
2.93s	10.0	↗
2.84s	10.4	↗
2.86s	8.3	←
3.10s	10.1	→
2.98s	9.2	↗
2.95s	8.8	←
3.20s	8.6	←
2.93s	10.8x	↗

<b>Serie</b>	<b>93 ( 2x)</b>
<b>Total</b>	<b>353 ( 2x)</b>



3.10s	9.8	→
3.02s	9.0	←
2.97s	9.6	↙
2.86s	10.4	↓
2.92s	10.5x	↓
2.79s	10.4	↗
3.02s	8.9	↙
2.96s	9.5	←
3.11s	8.8	←
3.03s	8.3	↘

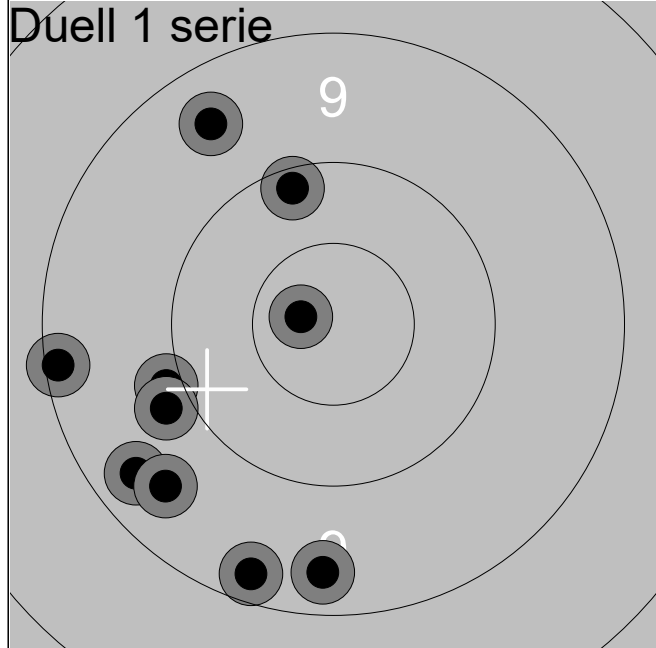
<b>Serie</b>	<b>90 ( 1x)</b>
<b>Total</b>	<b>443 ( 3x)</b>



3.12s	10.7x	↗
3.05s	9.1	↓
2.89s	9.0	↖
2.90s	10.8x	↓
2.95s	9.1	←
2.93s	10.2	↓
2.97s	10.1	↓
2.89s	9.5	↗
2.87s	10.0	↗
2.97s	8.3	↘

<b>Serie</b>	<b>94 ( 2x)</b>
<b>Total</b>	<b>537 ( 5x)</b>

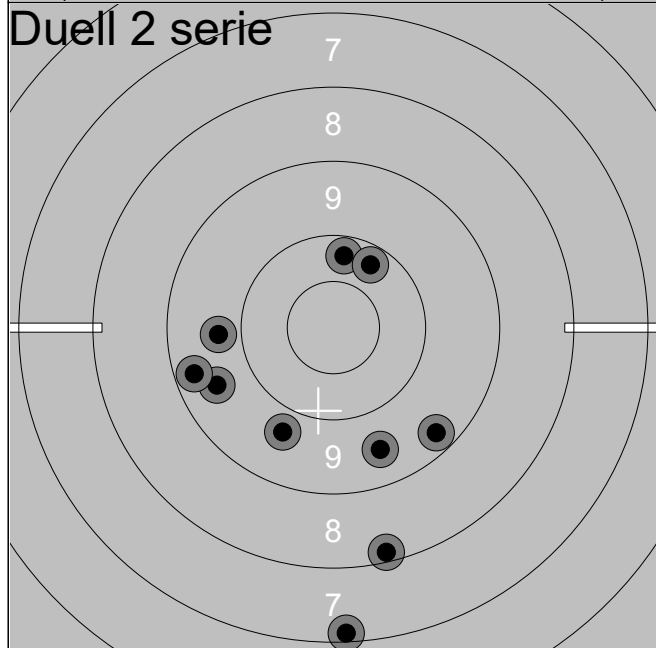




2.45s	10.1	↑
2.31s	9.4	↙
2.65s	9.4	↓
2.54s	9.9	↙
2.57s	9.5	↙
2.59s	10.8x	↙
2.59s	9.9	↙
2.38s	9.5	↗
2.25s	9.3	↓
2.57s	9.2	↙

**Serie** 92 ( 1x)

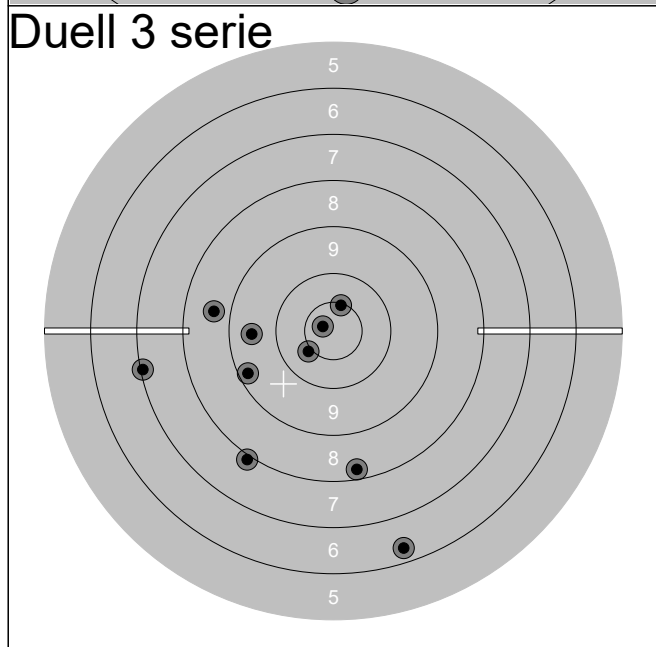
**Total** 349 ( 1x)



2.19s	10.2	↑
2.38s	8.2	↓
2.40s	9.6	↙
2.27s	10.2	↗
2.44s	9.3	↘
2.56s	9.8	↙
2.59s	9.3	↙
2.25s	9.8	↓
2.41s	9.6	↓
2.27s	7.2	↓

**Serie** 89 ( 0x)

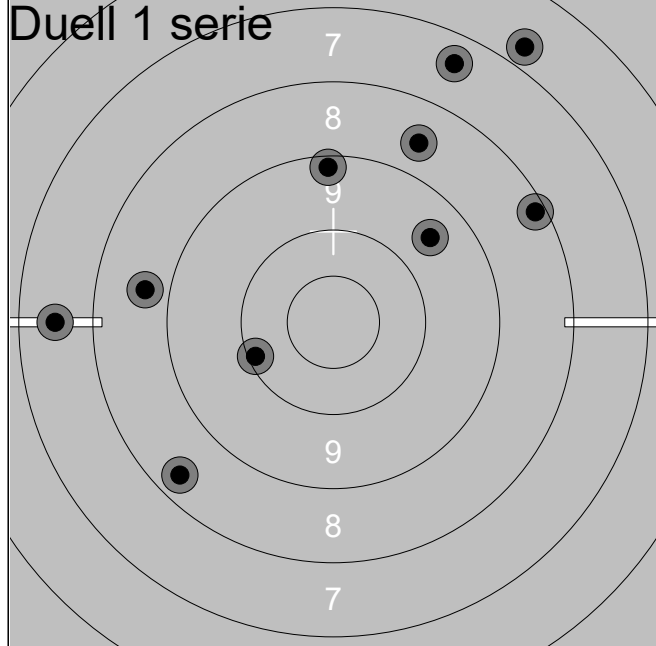
**Total** 438 ( 1x)



2.39s	8.3	↓
2.46s	9.3	↙
2.54s	7.1	↙
2.56s	9.5	↙
2.76s	10.8x	↙
2.50s	8.0	↘
2.25s	6.4	↓
2.54s	8.7	↙
2.35s	10.5x	↗
2.46s	10.4x	↘

**Serie** 85 ( 3x)

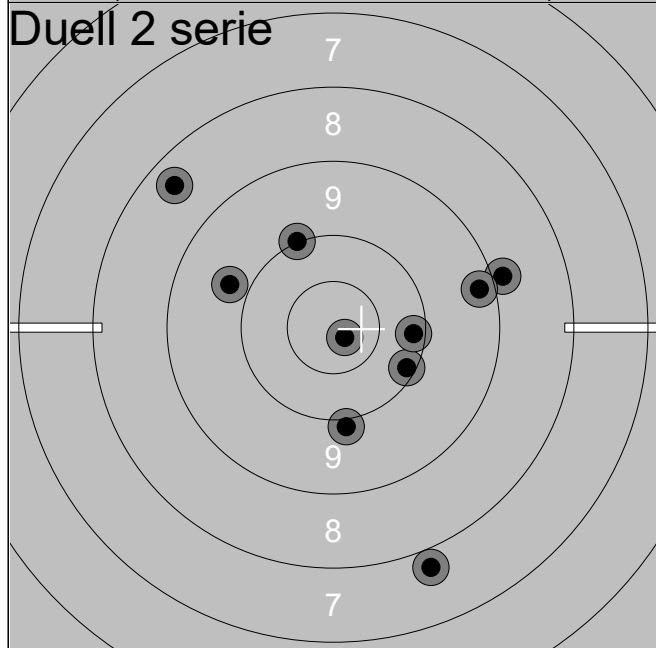
**Total** 523 ( 4x)



2.49s	8.7	←
2.40s	7.5	↑
2.31s	6.8	↗
2.31s	9.2	↑
2.45s	8.6	↗
2.73s	8.4	↙
2.39s	10.1	←
2.45s	8.2	↗
2.38s	9.6	↗
2.54s	7.6	←

<b>Serie</b>	<b>80 ( 0x)</b>
--------------	-----------------

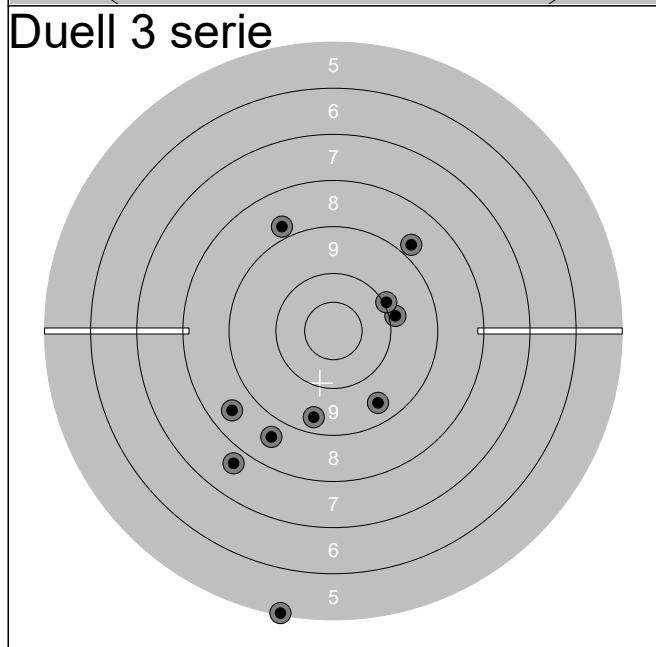
<b>Total</b>	<b>335 ( 0x)</b>
--------------	------------------



2.49s	10.1	↘
2.34s	10.8x	↘
2.27s	8.4	↗
2.44s	8.9	→
2.45s	10.0	↓
2.59s	7.8	↓
2.69s	10.0	↗
2.57s	9.8	↖
2.46s	9.3	→
2.17s	10.2	→

<b>Serie</b>	<b>91 ( 1x)</b>
--------------	-----------------

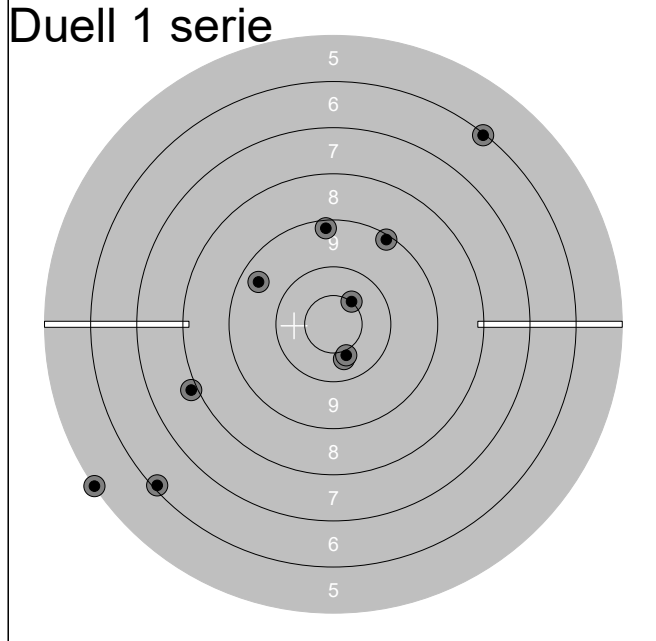
<b>Total</b>	<b>426 ( 1x)</b>
--------------	------------------



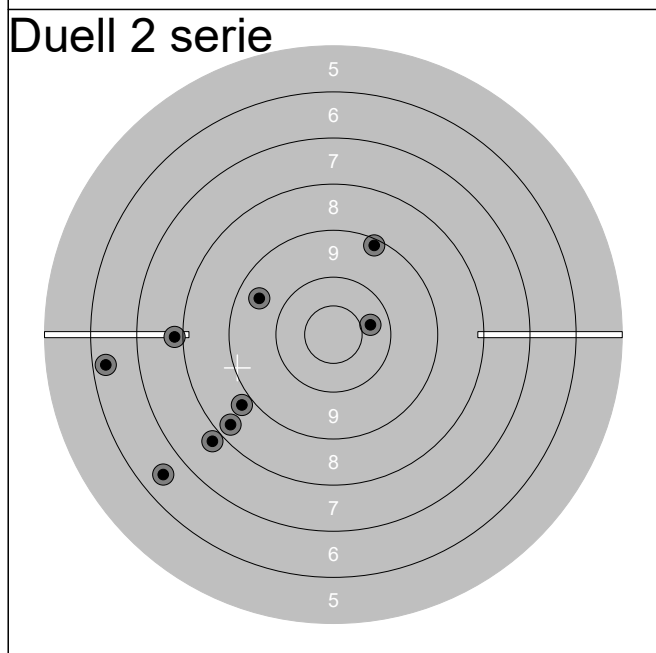
2.77s	9.9	→
2.48s	10.0	↗
2.44s	8.7	↙
2.90s	8.8	↗
2.36s	8.8	↗
2.62s	9.5	↘
2.34s	8.5	↖
2.57s	7.7	↙
2.52s	5.1	↓
2.50s	9.4	↓

<b>Serie</b>	<b>81 ( 0x)</b>
--------------	-----------------

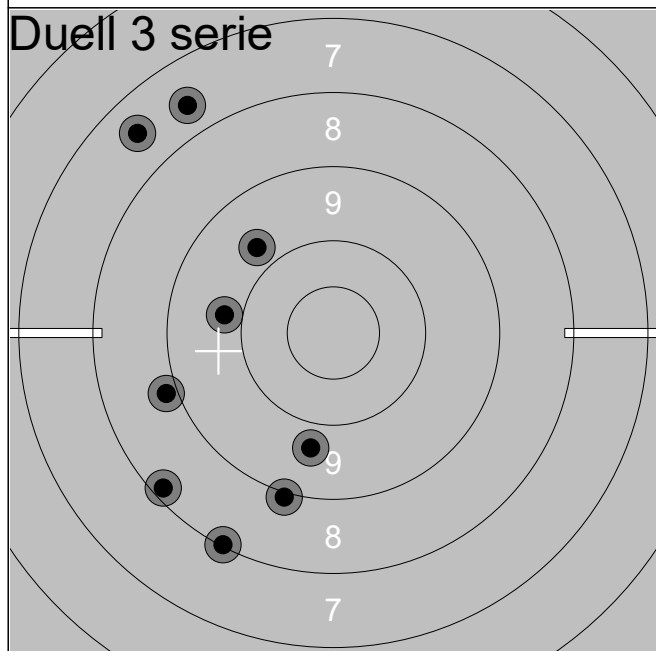
<b>Total</b>	<b>507 ( 1x)</b>
--------------	------------------



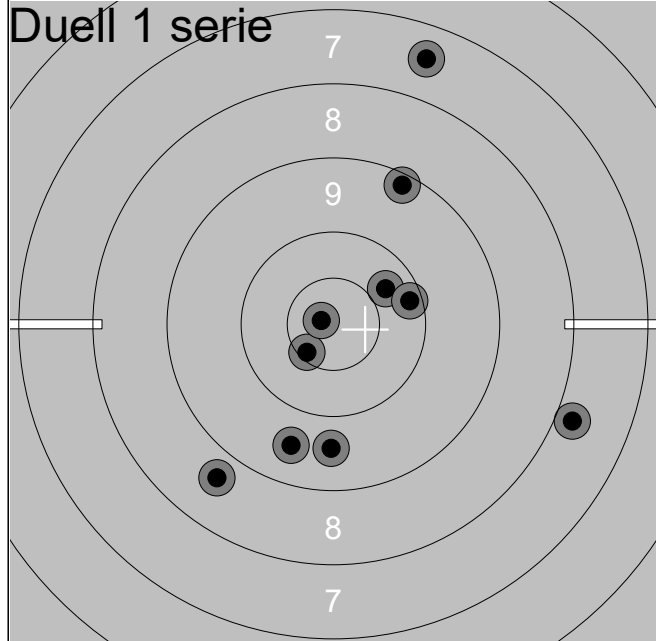
2.13s	10.4	↓
2.45s	6.2	↙
2.25s	10.5x	↗
2.54s	9.5	↖
2.79s	9.2	↗
2.67s	5.1	↙
2.63s	9.2	↑
2.34s	7.9	↙
2.52s	6.1	↗
2.41s	10.4x	↓
<b>Serie</b>	<b>81 ( 2x)</b>	
<b>Total</b>	<b>335 ( 2x)</b>	



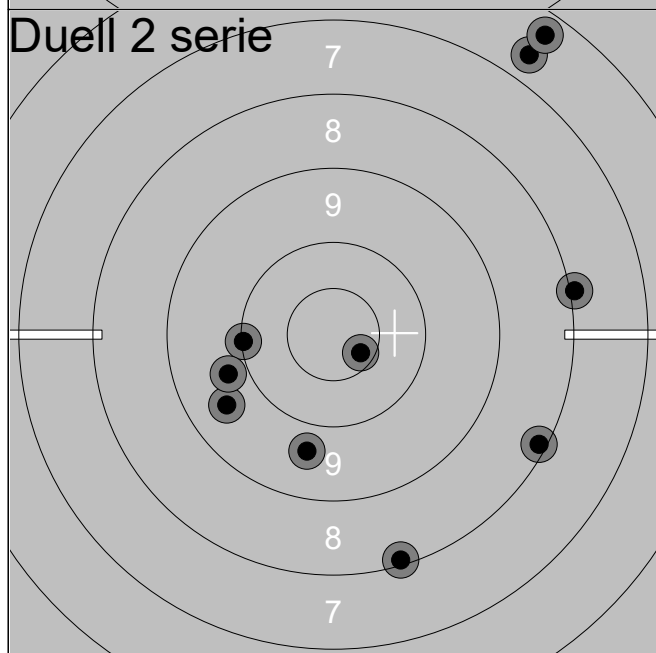
2.71s	7.8	↙
2.57s	10.3	→
2.37s	6.5	↙
2.74s	☐	
2.63s	8.4	↙
2.74s	6.4	↙
2.66s	8.8	↙
2.10s	7.9	↙
2.74s	9.2	↗
2.36s	9.5	↖
<b>Serie</b>	<b>70 ( 0x)</b>	
<b>Total</b>	<b>405 ( 2x)</b>	



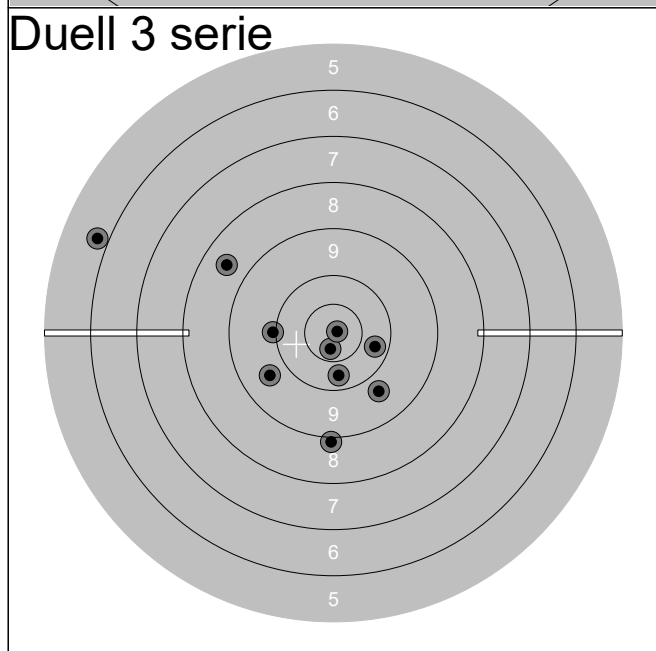
2.52s	7.7	↗
2.45s	9.8	↗
2.37s	9.0	↓
2.23s	7.5	↗
2.10s	8.2	↙
2.20s	9.7	↓
1.91s	8.1	↓
2.14s	8.9	↙
2.08s	9.8	↙
	--	
<b>Serie</b>	<b>74 ( 0x)</b>	
<b>Total</b>	<b>479 ( 2x)</b>	



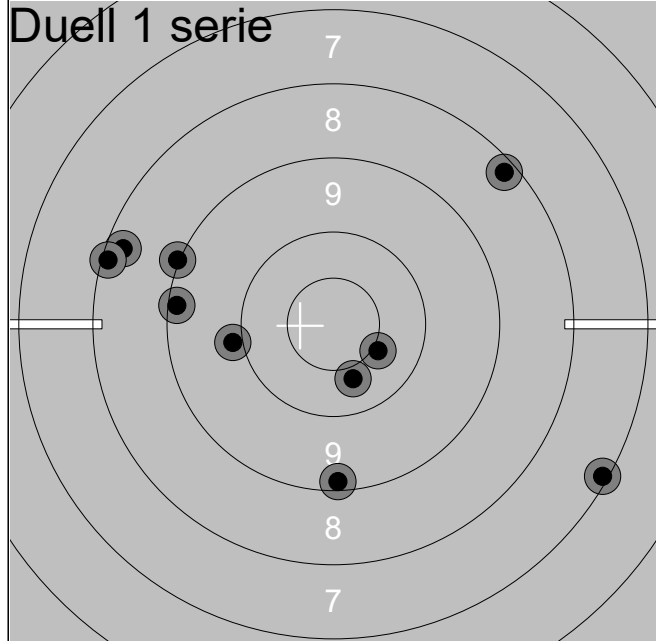
2.67s	10.3	↗
2.46s	9.2	↑
2.59s	8.7	↙
2.25s	7.5	↑
2.57s	9.6	↓
2.87s	10.2	→
2.71s	10.6x	↙
2.59s	10.8x	←
2.79s	9.6	↓
3.16s	7.8	→
<b>Serie</b>		<b>89 ( 2x)</b>
<b>Total</b>		<b>337 ( 2x)</b>



2.66s	6.7	↗
2.69s	6.4	↗
2.48s	10.1	←
2.50s	9.6	↙
2.70s	9.8	←
2.75s	8.0	→
2.57s	10.6x	↘
2.42s	8.1	↓
2.56s	8.2	→
2.40s	9.7	↓
<b>Serie</b>		<b>83 ( 1x)</b>
<b>Total</b>		<b>420 ( 3x)</b>



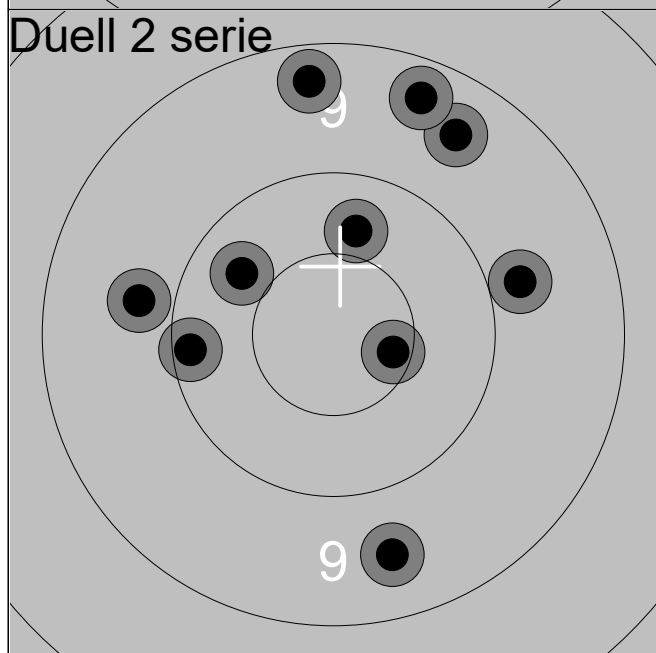
2.96s	5.8	↖
2.62s	10.7x	↓
2.34s	9.7	↙
2.42s	10.9x	→
2.50s	10.0	←
2.47s	8.6	↗
2.17s	9.7	↘
2.34s	10.3	→
2.50s	9.0	↓
2.27s	10.3	↓
<b>Serie</b>		<b>90 ( 2x)</b>
<b>Total</b>		<b>510 ( 5x)</b>



2.62s	8.2	↗
2.38s	8.3	←
2.84s	10.4x	↘
2.60s	10.4	↘
2.54s	8.2	←
2.64s	9.9	←
2.54s	9.2	↓
2.60s	7.1	↘
2.59s	9.0	←
2.69s	9.2	←

<b>Serie</b>	<b>87 ( 1x)</b>
--------------	-----------------

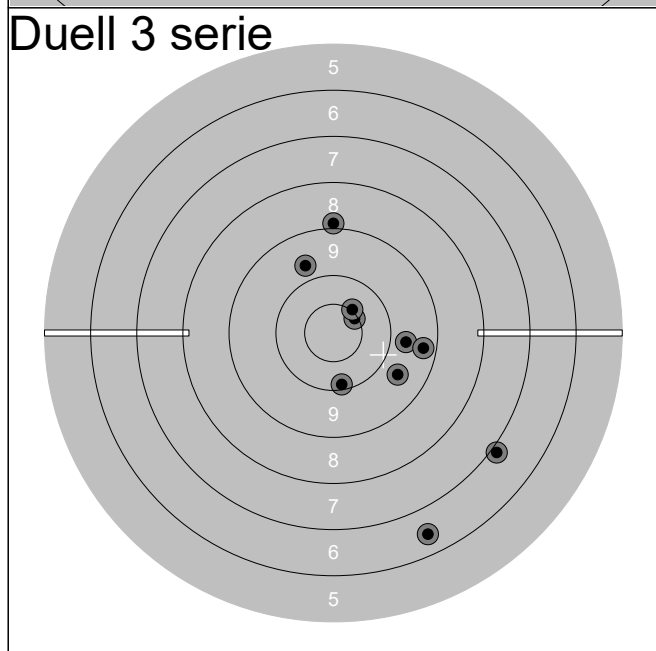
<b>Total</b>	<b>334 ( 1x)</b>
--------------	------------------



2.60s	9.5	↗
2.50s	10.3	↑
2.66s	10.1	←
2.52s	9.8	→
2.81s	9.8	←
2.58s	9.4	↑
2.65s	10.6x	→
2.47s	9.6	↓
2.34s	10.3	↗
2.38s	9.4	↑

<b>Serie</b>	<b>94 ( 1x)</b>
--------------	-----------------

<b>Total</b>	<b>428 ( 2x)</b>
--------------	------------------



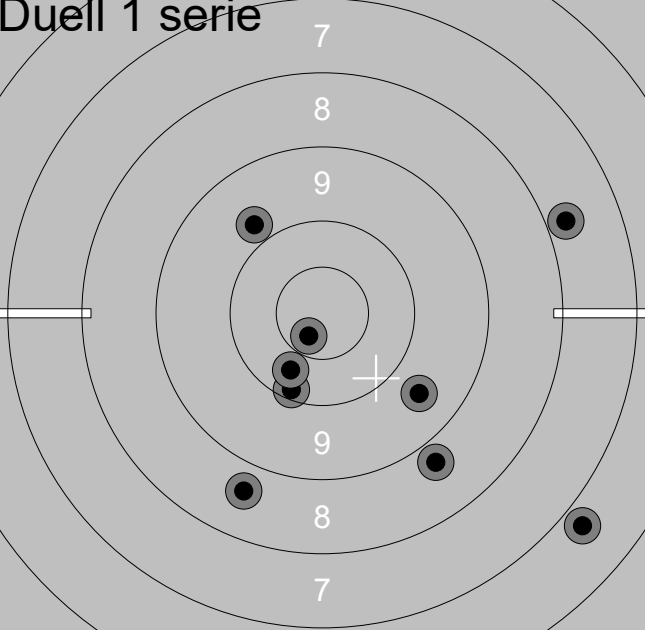

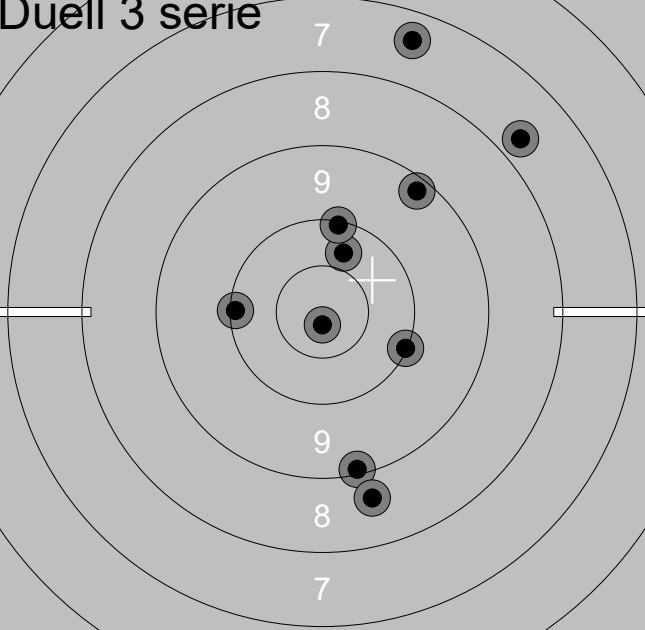
2.63s	10.5x	↗
2.65s	6.5	↘
2.58s	10.1	↘
2.35s	9.7	↗
2.27s	9.7	↘
2.37s	9.7	→
2.77s	8.9	↑
2.40s	6.9	↘
2.27s	9.3	→
2.39s	10.5x	↗

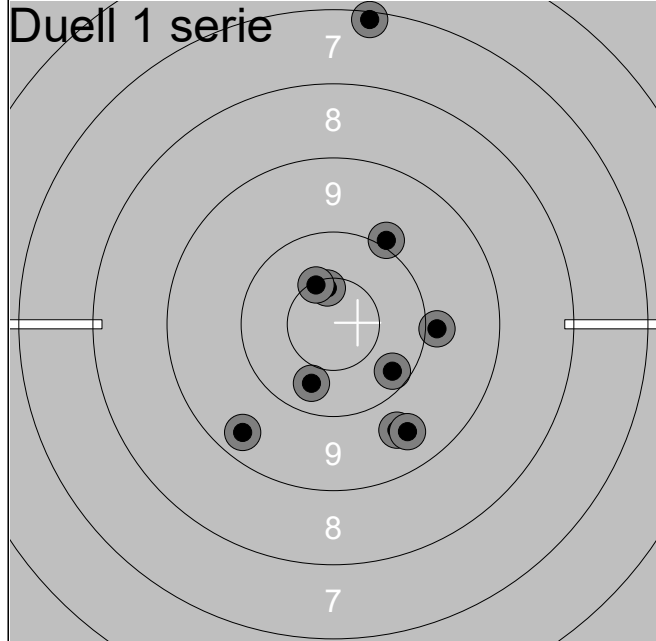
<b>Serie</b>	<b>86 ( 2x)</b>
--------------	-----------------

<b>Total</b>	<b>514 ( 4x)</b>
--------------	------------------

25.06.2019	NM bane 2019	NM Pistol 2019
------------	--------------	----------------

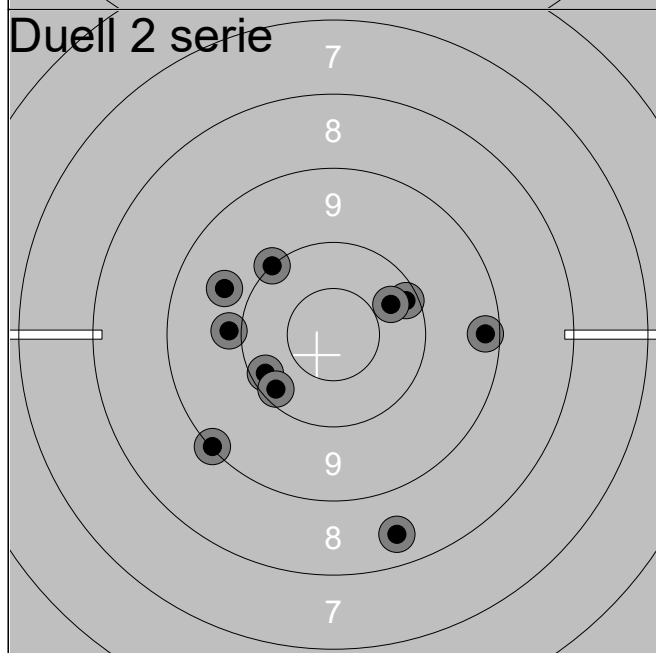
<b>Duell 1 serie</b> 	<table style="width:100%; border-collapse: collapse;"> <tr><td style="text-align:right;">2.40s</td><td style="text-align:left;">7.8</td><td style="text-align:right;">→</td></tr> <tr><td style="text-align:right;">2.72s</td><td style="text-align:left;">10.1</td><td style="text-align:right;">↓</td></tr> <tr><td style="text-align:right;">2.62s</td><td style="text-align:left;">9.8</td><td style="text-align:right;">↗</td></tr> <tr><td style="text-align:right;">2.78s</td><td style="text-align:left;">10.7x</td><td style="text-align:right;">↓</td></tr> <tr><td style="text-align:right;">2.67s</td><td style="text-align:left;">10.3</td><td style="text-align:right;">↓</td></tr> <tr><td style="text-align:right;">2.58s</td><td style="text-align:left;">☐</td><td></td></tr> <tr><td style="text-align:right;">2.49s</td><td style="text-align:left;">8.8</td><td style="text-align:right;">↘</td></tr> <tr><td style="text-align:right;">2.49s</td><td style="text-align:left;">8.7</td><td style="text-align:right;">↓</td></tr> <tr><td style="text-align:right;">2.67s</td><td style="text-align:left;">6.8</td><td style="text-align:right;">↘</td></tr> <tr><td style="text-align:right;">2.66s</td><td style="text-align:left;">9.6</td><td style="text-align:right;">↘</td></tr> <tr><td colspan="2"><b>Serie</b></td><td style="text-align:right;"><b>77 ( 1x)</b></td></tr> <tr><td colspan="2"><b>Total</b></td><td style="text-align:right;"><b>321 ( 1x)</b></td></tr> </table>	2.40s	7.8	→	2.72s	10.1	↓	2.62s	9.8	↗	2.78s	10.7x	↓	2.67s	10.3	↓	2.58s	☐		2.49s	8.8	↘	2.49s	8.7	↓	2.67s	6.8	↘	2.66s	9.6	↘	<b>Serie</b>		<b>77 ( 1x)</b>	<b>Total</b>		<b>321 ( 1x)</b>
2.40s	7.8	→																																			
2.72s	10.1	↓																																			
2.62s	9.8	↗																																			
2.78s	10.7x	↓																																			
2.67s	10.3	↓																																			
2.58s	☐																																				
2.49s	8.8	↘																																			
2.49s	8.7	↓																																			
2.67s	6.8	↘																																			
2.66s	9.6	↘																																			
<b>Serie</b>		<b>77 ( 1x)</b>																																			
<b>Total</b>		<b>321 ( 1x)</b>																																			
<b>Duell 2 serie</b> 	<table style="width:100%; border-collapse: collapse;"> <tr><td style="text-align:right;">2.41s</td><td style="text-align:left;">10.6x</td><td style="text-align:right;">↑</td></tr> <tr><td style="text-align:right;">2.36s</td><td style="text-align:left;">10.0</td><td style="text-align:right;">↖</td></tr> <tr><td style="text-align:right;">2.52s</td><td style="text-align:left;">10.0</td><td style="text-align:right;">→</td></tr> <tr><td style="text-align:right;">2.46s</td><td style="text-align:left;">9.3</td><td style="text-align:right;">←</td></tr> <tr><td style="text-align:right;">2.50s</td><td style="text-align:left;">8.4</td><td style="text-align:right;">↑</td></tr> <tr><td style="text-align:right;">2.40s</td><td style="text-align:left;">9.6</td><td style="text-align:right;">↑</td></tr> <tr><td style="text-align:right;">2.70s</td><td style="text-align:left;">9.8</td><td style="text-align:right;">↘</td></tr> <tr><td style="text-align:right;">2.71s</td><td style="text-align:left;">9.7</td><td style="text-align:right;">↖</td></tr> <tr><td style="text-align:right;">2.50s</td><td style="text-align:left;">10.1</td><td style="text-align:right;">↘</td></tr> <tr><td style="text-align:right;">2.52s</td><td style="text-align:left;">10.3</td><td style="text-align:right;">↗</td></tr> <tr><td colspan="2"><b>Serie</b></td><td style="text-align:right;"><b>94 ( 1x)</b></td></tr> <tr><td colspan="2"><b>Total</b></td><td style="text-align:right;"><b>415 ( 2x)</b></td></tr> </table>	2.41s	10.6x	↑	2.36s	10.0	↖	2.52s	10.0	→	2.46s	9.3	←	2.50s	8.4	↑	2.40s	9.6	↑	2.70s	9.8	↘	2.71s	9.7	↖	2.50s	10.1	↘	2.52s	10.3	↗	<b>Serie</b>		<b>94 ( 1x)</b>	<b>Total</b>		<b>415 ( 2x)</b>
2.41s	10.6x	↑																																			
2.36s	10.0	↖																																			
2.52s	10.0	→																																			
2.46s	9.3	←																																			
2.50s	8.4	↑																																			
2.40s	9.6	↑																																			
2.70s	9.8	↘																																			
2.71s	9.7	↖																																			
2.50s	10.1	↘																																			
2.52s	10.3	↗																																			
<b>Serie</b>		<b>94 ( 1x)</b>																																			
<b>Total</b>		<b>415 ( 2x)</b>																																			
<b>Duell 3 serie</b> 	<table style="width:100%; border-collapse: collapse;"> <tr><td style="text-align:right;">2.66s</td><td style="text-align:left;">7.4</td><td style="text-align:right;">↑</td></tr> <tr><td style="text-align:right;">2.77s</td><td style="text-align:left;">10.3</td><td style="text-align:right;">↑</td></tr> <tr><td style="text-align:right;">2.54s</td><td style="text-align:left;">9.1</td><td style="text-align:right;">↓</td></tr> <tr><td style="text-align:right;">2.59s</td><td style="text-align:left;">8.7</td><td style="text-align:right;">↓</td></tr> <tr><td style="text-align:right;">2.62s</td><td style="text-align:left;">10.1</td><td style="text-align:right;">↘</td></tr> <tr><td style="text-align:right;">2.46s</td><td style="text-align:left;">9.2</td><td style="text-align:right;">↗</td></tr> <tr><td style="text-align:right;">2.65s</td><td style="text-align:left;">10.1</td><td style="text-align:right;">←</td></tr> <tr><td style="text-align:right;">2.44s</td><td style="text-align:left;">7.8</td><td style="text-align:right;">↗</td></tr> <tr><td style="text-align:right;">2.63s</td><td style="text-align:left;">10.1</td><td style="text-align:right;">↑</td></tr> <tr><td style="text-align:right;">2.46s</td><td style="text-align:left;">10.8x</td><td style="text-align:right;">↓</td></tr> <tr><td colspan="2"><b>Serie</b></td><td style="text-align:right;"><b>90 ( 1x)</b></td></tr> <tr><td colspan="2"><b>Total</b></td><td style="text-align:right;"><b>505 ( 3x)</b></td></tr> </table>	2.66s	7.4	↑	2.77s	10.3	↑	2.54s	9.1	↓	2.59s	8.7	↓	2.62s	10.1	↘	2.46s	9.2	↗	2.65s	10.1	←	2.44s	7.8	↗	2.63s	10.1	↑	2.46s	10.8x	↓	<b>Serie</b>		<b>90 ( 1x)</b>	<b>Total</b>		<b>505 ( 3x)</b>
2.66s	7.4	↑																																			
2.77s	10.3	↑																																			
2.54s	9.1	↓																																			
2.59s	8.7	↓																																			
2.62s	10.1	↘																																			
2.46s	9.2	↗																																			
2.65s	10.1	←																																			
2.44s	7.8	↗																																			
2.63s	10.1	↑																																			
2.46s	10.8x	↓																																			
<b>Serie</b>		<b>90 ( 1x)</b>																																			
<b>Total</b>		<b>505 ( 3x)</b>																																			



2.43s	7.2	↑
2.59s	10.3	↓
2.58s	9.6	↓
2.36s	9.6	↓
2.35s	10.6x	↑
2.59s	10.2	↓
2.61s	10.0	↗
2.74s	10.5x	↑
2.56s	9.9	→
2.29s	9.4	↓

<b>Serie</b>	<b>93 ( 2x)</b>
--------------	-----------------

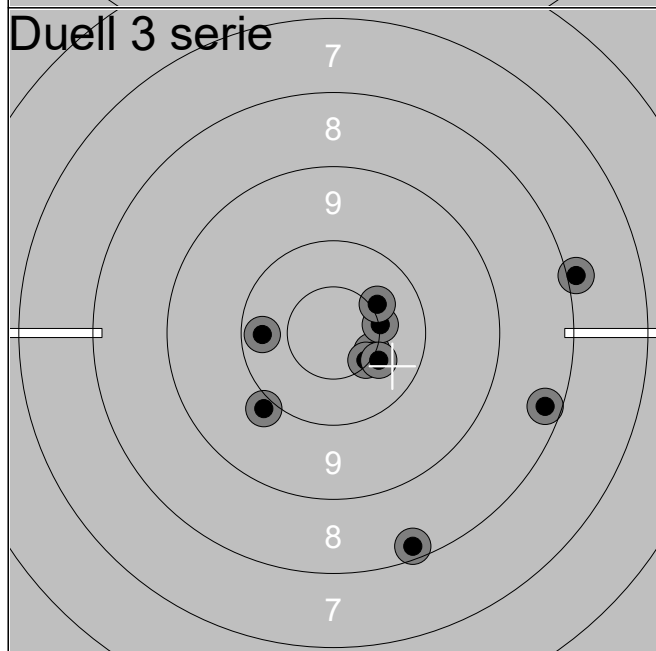
<b>Total</b>	<b>337 ( 2x)</b>
--------------	------------------



2.75s	9.1	↙
2.19s	10.0	↗
2.54s	9.7	↖
2.38s	9.3	→
2.59s	8.5	↓
2.58s	10.2	↗
2.54s	9.9	←
2.06s	10.2	↙
2.31s	10.2	↙
2.40s	10.3	↗

<b>Serie</b>	<b>94 ( 0x)</b>
--------------	-----------------

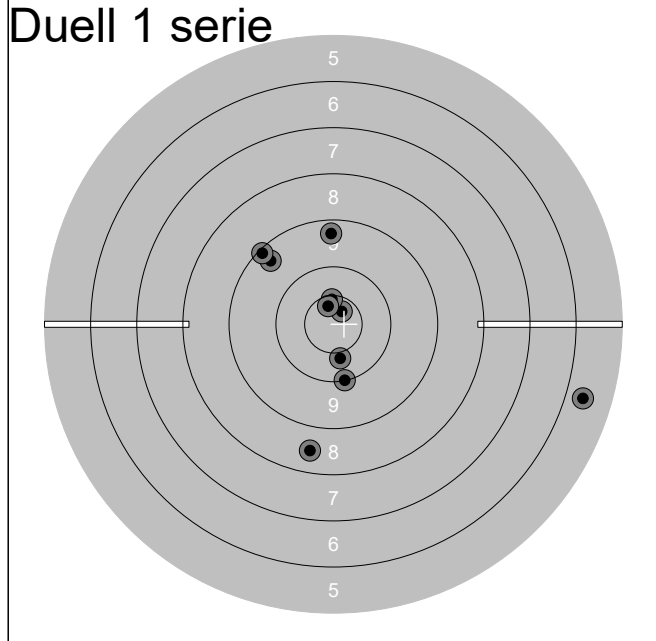
<b>Total</b>	<b>431 ( 2x)</b>
--------------	------------------



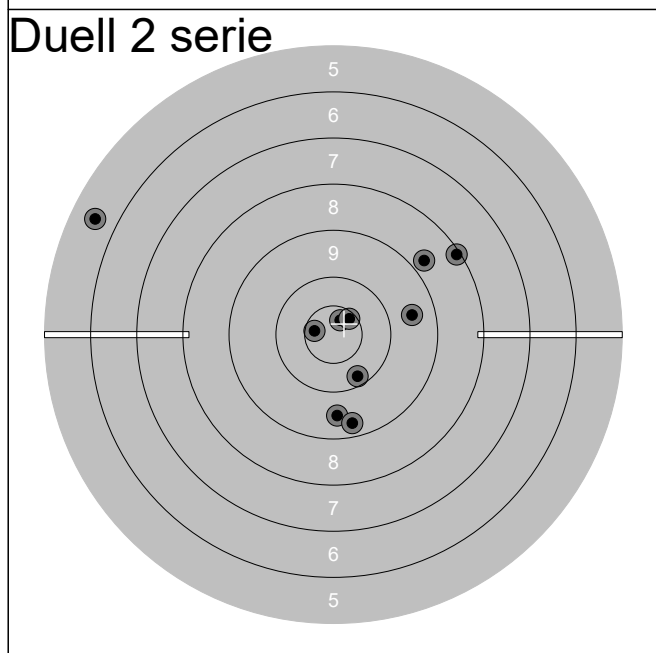
2.31s	8.0	→
2.41s	8.2	↓
2.52s	8.3	→
2.33s	10.5x	↘
2.33s	10.5x	→
2.50s	9.9	↙
2.11s	10.5x	↓
2.31s	10.4x	↘
2.36s	10.2	←
2.45s	10.4x	↗

<b>Serie</b>	<b>93 ( 5x)</b>
--------------	-----------------

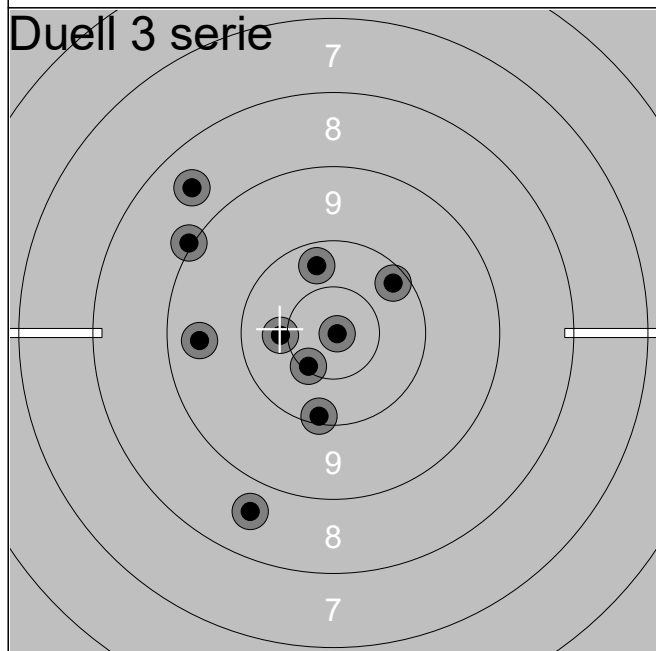
<b>Total</b>	<b>524 ( 7x)</b>
--------------	------------------



2.46s	9.4	↑
2.15s	10.4	↓
2.06s	10.7x	↗
2.16s	8.5	↓
2.29s	10.1	↓
2.35s	5.7	→
2.33s	9.4	↗
2.36s	10.6x	↑
2.39s	9.1	↗
2.52s	10.7x	↑
<b>Serie</b>		<b>90 ( 3x)</b>
<b>Total</b>		<b>328 ( 3x)</b>

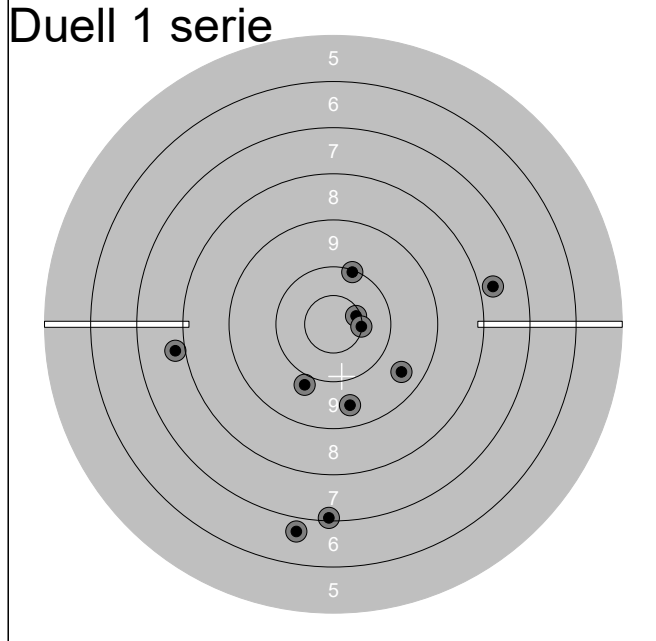


2.04s	10.7x	↑
2.36s	5.6	↖
2.21s	9.6	↓
2.23s	8.1	↗
2.22s	8.8	↗
2.48s	10.2	↓
2.44s	10.6x	↗
2.16s	10.6x	↖
2.11s	9.6	→
2.09s	9.4	↓
<b>Serie</b>		<b>88 ( 3x)</b>
<b>Total</b>		<b>416 ( 6x)</b>



2.36s	10.3	↑
2.50s	9.0	↖
2.23s	10.1	↓
2.45s	10.4x	↖
2.36s	8.6	↗
2.27s	10.2	↗
2.21s	10.5x	↓
2.31s	9.5	↖
2.33s	8.7	↓
2.18s	10.9x	→
<b>Serie</b>		<b>94 ( 3x)</b>
<b>Total</b>		<b>510 ( 9x)</b>

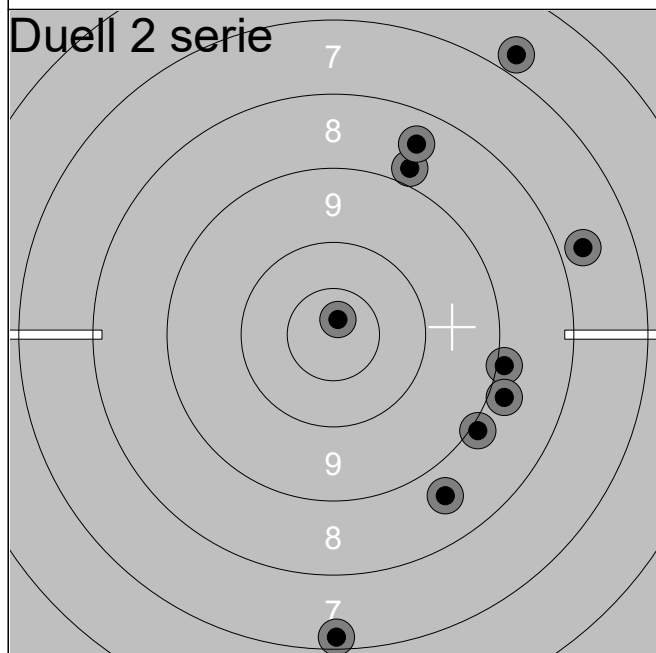




2.63s	7.8	→
2.79s	9.5	↓
2.89s	10.6x	→
2.79s	10.5x	→
2.77s	7.8	←
2.72s	9.5	↘
2.93s	6.8	↓
2.82s	7.1	↓
2.66s	9.9	↘
2.58s	10.1	↑

<b>Serie</b>	<b>84 ( 2x)</b>
--------------	-----------------

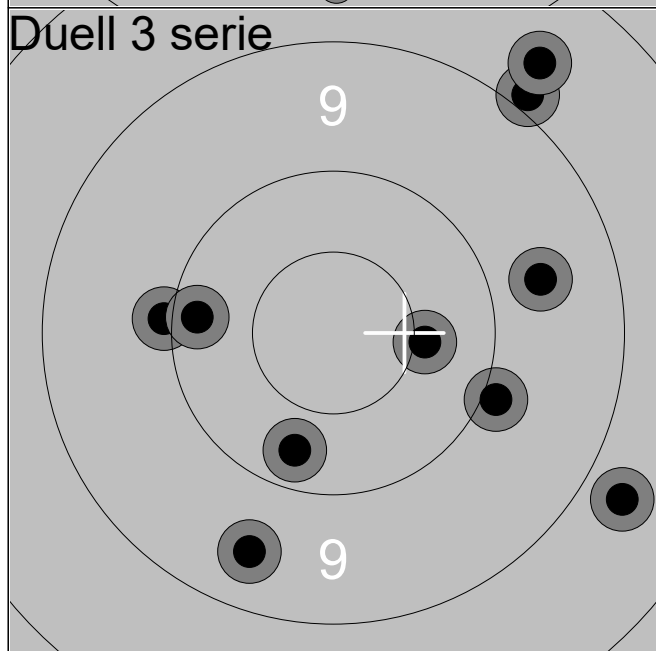
<b>Total</b>	<b>316 ( 2x)</b>
--------------	------------------



2.78s	7.2	↓
3.01s	8.7	↘
2.92s	10.8x	↑
2.59s	9.0	↘
2.84s	9.0	→
2.75s	6.8	↑
3.21s	8.9	↘
2.64s	7.7	→
2.67s	8.8	↑
2.74s	8.5	↑

<b>Serie</b>	<b>80 ( 1x)</b>
--------------	-----------------

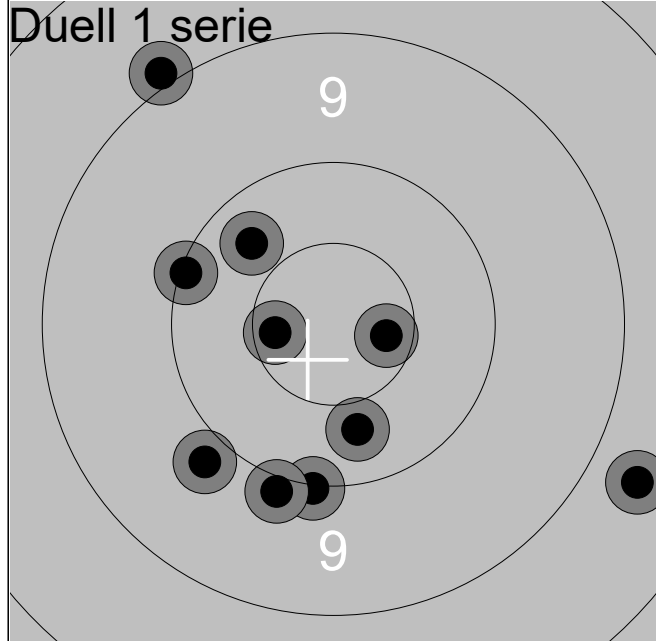
<b>Total</b>	<b>396 ( 3x)</b>
--------------	------------------



2.69s	8.7	↘
2.92s	10.4x	→
2.75s	8.9	↑
2.77s	9.5	↓
2.59s	9.7	→
2.50s	10.0	←
2.76s	8.7	↑
2.77s	10.2	←
2.60s	10.3	↓
2.73s	10.0	↘

<b>Serie</b>	<b>92 ( 1x)</b>
--------------	-----------------

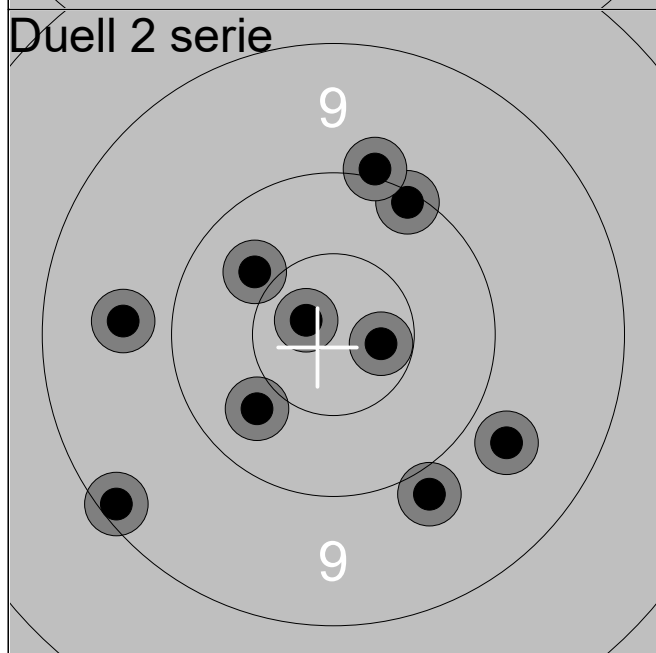
<b>Total</b>	<b>488 ( 4x)</b>
--------------	------------------



2.48s	10.0	↓
2.50s	10.3	↓
2.70s	10.1	↖
2.42s	10.3	↗
2.25s	10.6x	←
2.80s	8.7	↘
2.52s	9.0	↗
2.70s	10.0	↓
2.48s	10.6x	→
2.56s	9.9	↘

Serie 96 ( 2x)

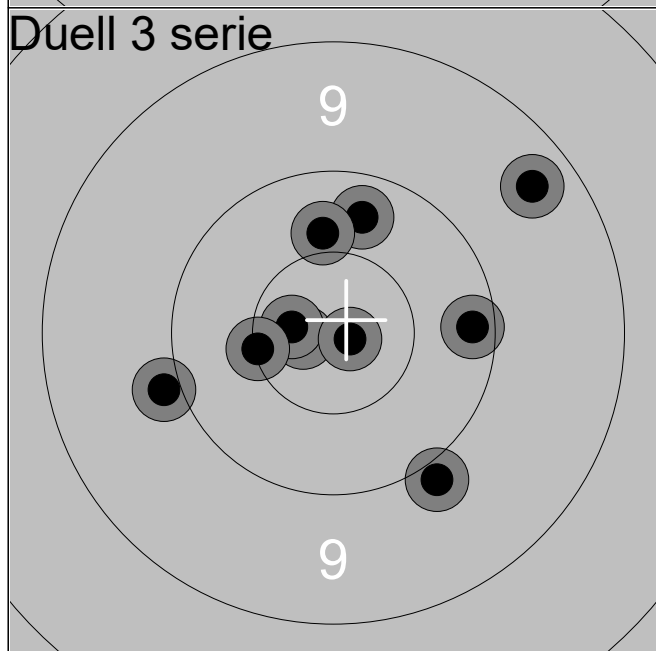
Total 382 ( 2x)



2.54s	10.4	↖
2.27s	10.1	↗
2.04s	10.0	↗
2.31s	9.7	←
2.42s	9.2	↘
2.44s	10.4	↘
2.43s	9.7	↘
2.54s	10.7x	→
2.39s	9.9	↘
2.47s	10.8x	↖

Serie 96 ( 2x)

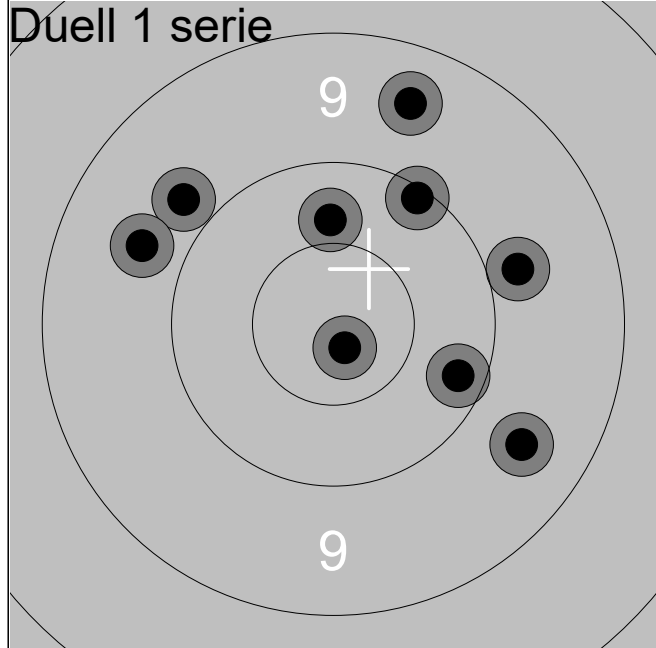
Total 478 ( 4x)



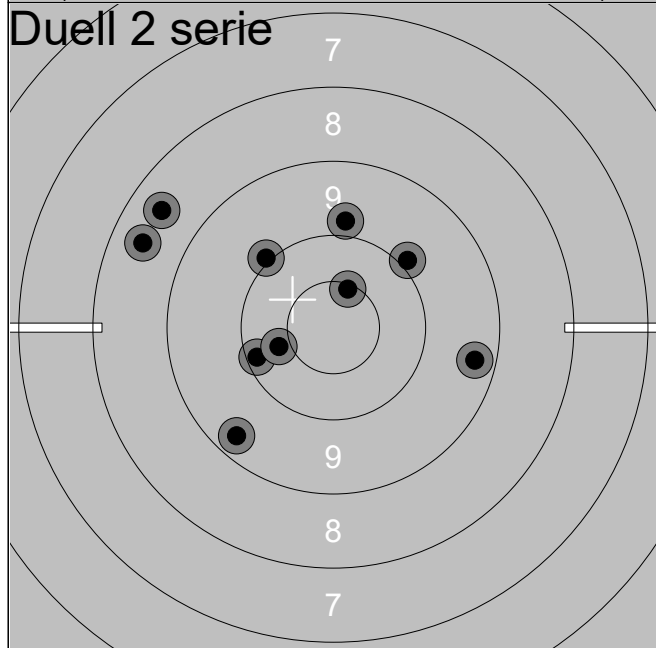
2.31s	10.3	↑
2.35s	10.8x	←
2.06s	9.4	↗
2.35s	10.7x	←
2.31s	9.9	←
2.59s	10.4	↑
2.48s	10.8x	→
2.25s	9.9	↘
2.29s	10.5x	←
2.54s	10.2	→

Serie 97 ( 4x)

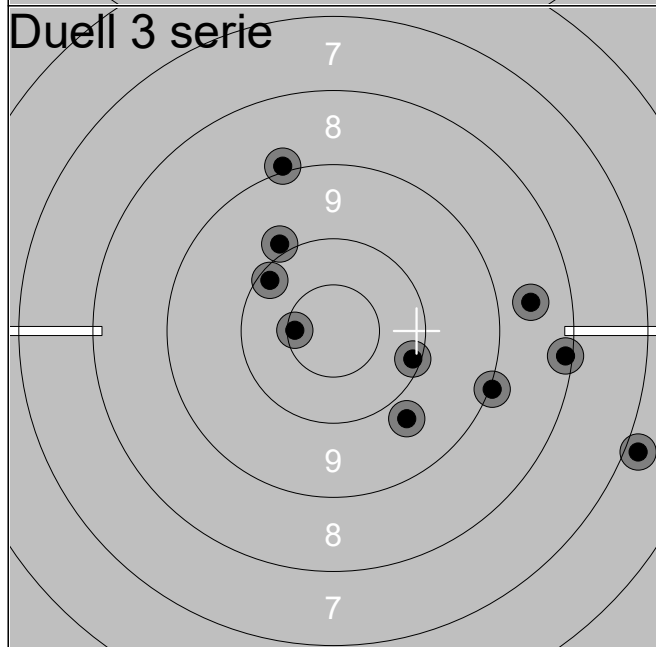
Total 575 ( 8x)



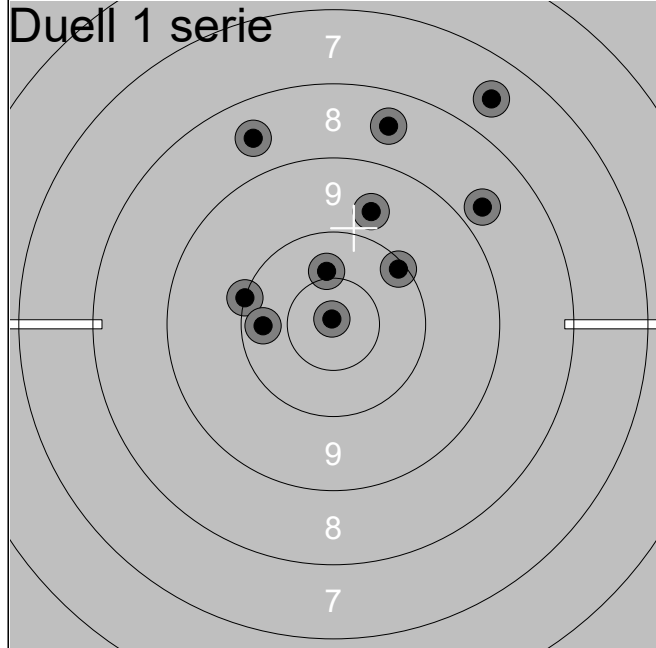
1.85s	10.2	→
2.81s	10.1	↗
2.50s	9.8	→
2.29s	9.6	↘
0.00s	8.5	
2.33s	10.8x	↘
2.38s	9.8	↗
2.06s	10.4	↑
2.23s	9.7	↖
2.29s	9.5	↑
<b>Serie</b>		<b>93 ( 1x)</b>
<b>Total</b>		<b>379 ( 1x)</b>



2.17s	9.4	↙
2.54s	10.0	↗
2.43s	10.0	↗
2.17s	10.1	↖
1.93s	8.5	↖
2.29s	9.9	↑
2.31s	10.5x	↗
2.50s	9.4	→
2.19s	10.4	↖
2.09s	8.5	↗
<b>Serie</b>		<b>93 ( 1x)</b>
<b>Total</b>		<b>472 ( 2x)</b>



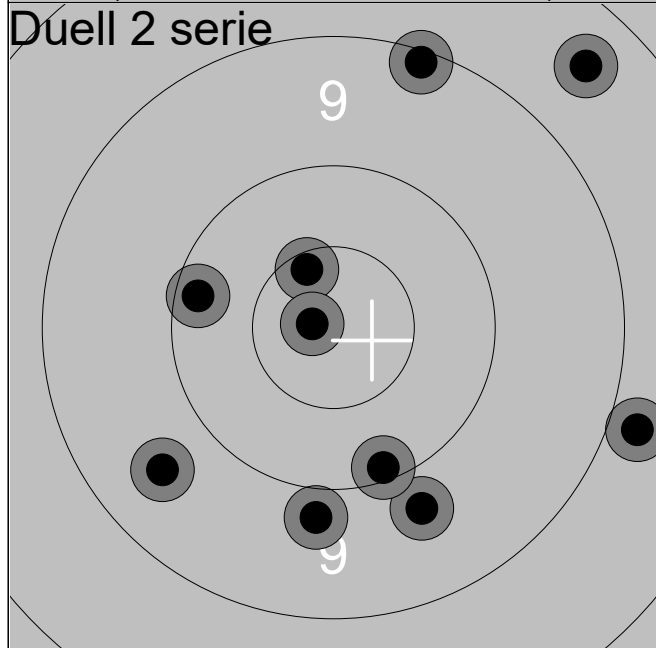
2.78s	9.9	↗
2.31s	8.2	→
2.27s	9.0	↘
2.13s	8.6	→
2.25s	10.6x	↖
2.47s	10.1	↗
2.68s	10.1	↘
2.43s	6.9	↘
1.73s	9.0	↑
2.27s	9.8	↘
<b>Serie</b>		<b>88 ( 1x)</b>
<b>Total</b>		<b>560 ( 3x)</b>



2.38s	9.7	↑
2.92s	10.1	↗
2.46s	10.0	←
2.57s	10.3	←
2.52s	7.6	↗
2.54s	8.6	↑
2.36s	8.5	↑
2.25s	10.4x	↑
2.54s	8.8	↗
2.34s	10.9x	↑

Serie 90 ( 2x)

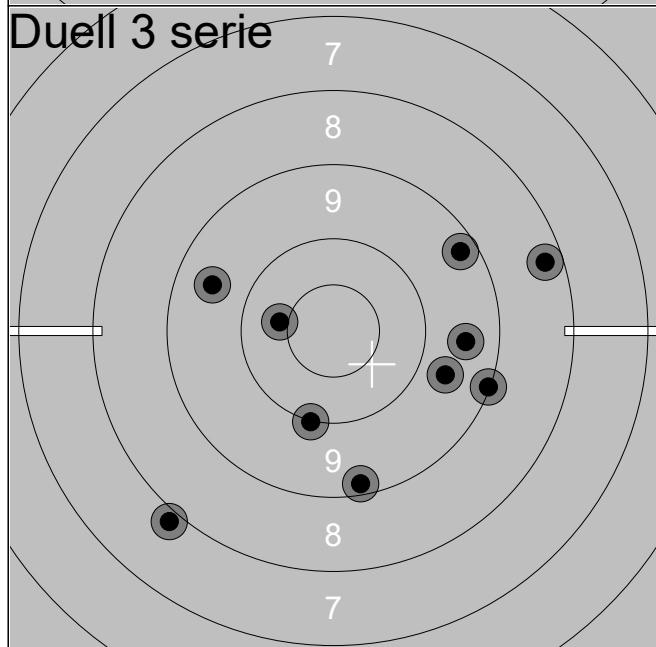
Total 375 ( 2x)



2.63s	9.8	↓
2.54s	9.2	↑
2.71s	10.6x	↑
2.67s	8.5	↗
2.35s	8.8	→
2.50s	10.2	←
2.35s	10.1	↓
2.61s	9.8	↓
2.44s	9.6	↙
2.35s	10.8x	←

Serie 92 ( 2x)

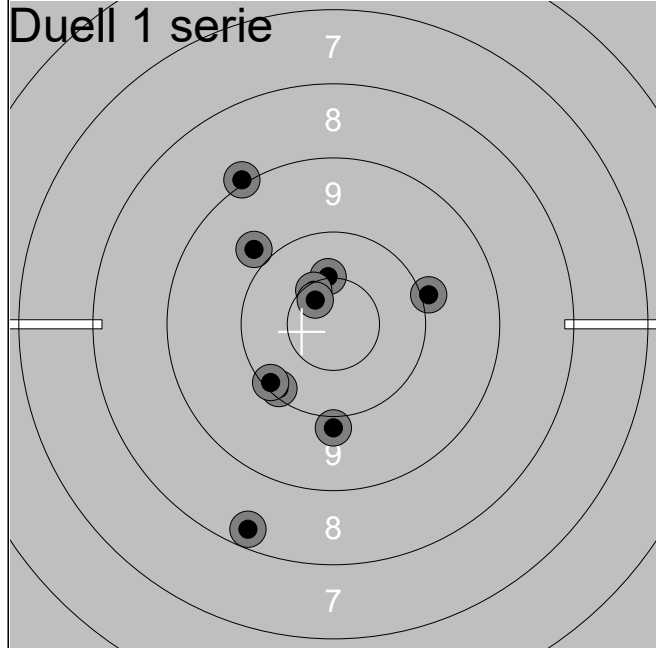
Total 467 ( 4x)



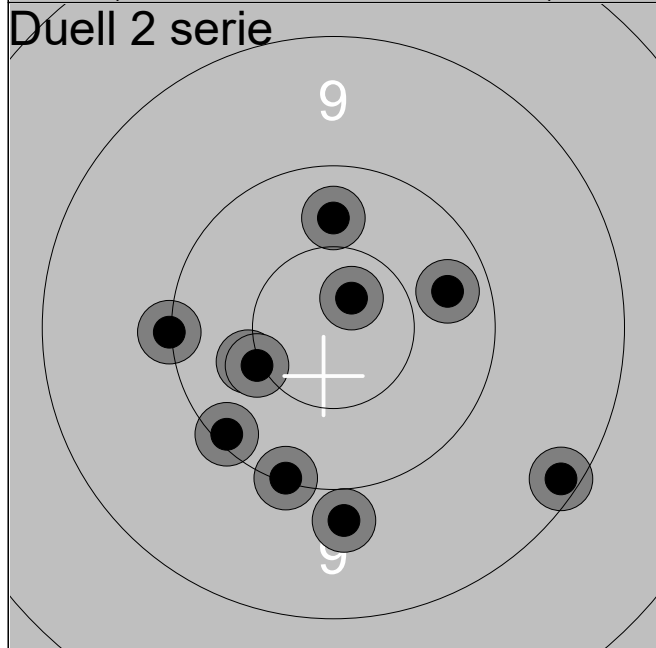
2.39s	7.9	↙
2.50s	9.6	←
2.27s	8.3	→
2.45s	9.7	→
2.41s	9.5	→
2.64s	9.2	↓
2.27s	10.4x	←
2.38s	10.0	↓
2.49s	9.1	→
2.38s	9.3	↗

Serie 89 ( 1x)

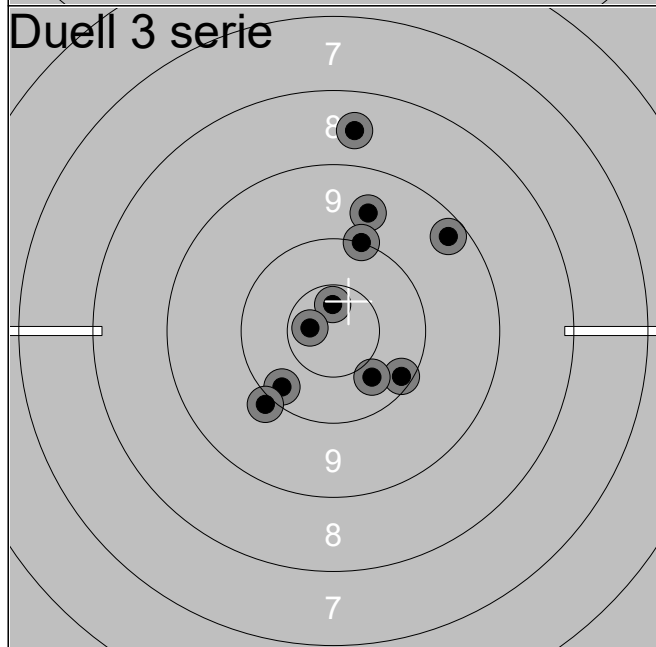
Total 556 ( 5x)



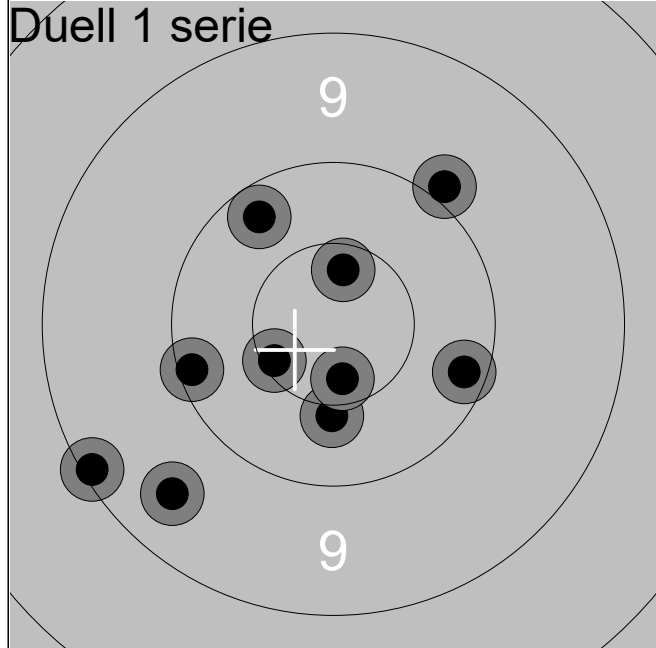
2.71s	10.5x	↑
2.12s	10.6x	↗
2.42s	8.3	↘
2.68s	10.7x	↗
2.31s	10.0	→
2.48s	9.0	↗
2.50s	10.1	↘
2.31s	9.8	↗
2.37s	10.1	↘
2.47s	9.9	↓
<b>Serie</b>		<b>95 ( 3x)</b>
<b>Total</b>		<b>380 ( 3x)</b>



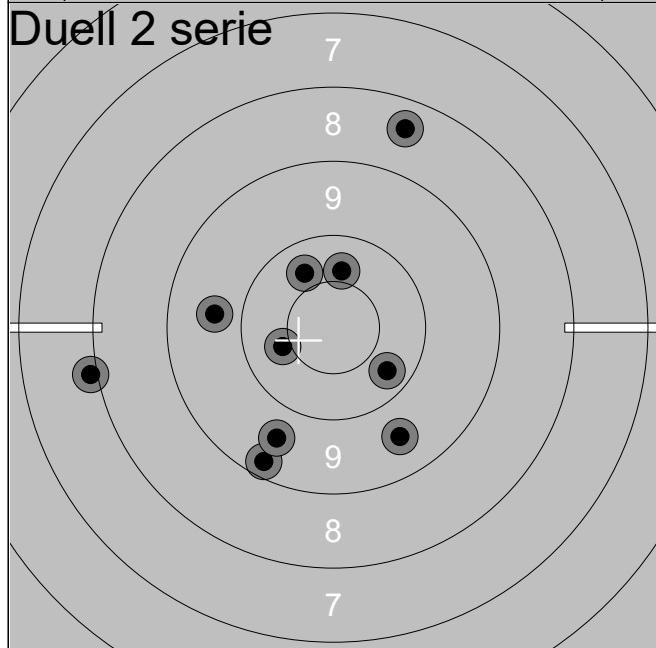
2.50s	9.2	↘
2.75s	10.1	↘
2.67s	9.8	↓
2.56s	10.1	↓
2.48s	10.4x	←
2.02s	10.3	→
2.27s	10.3	↑
2.09s	10.5x	←
2.02s	10.0	←
2.57s	10.8x	↗
<b>Serie</b>		<b>98 ( 3x)</b>
<b>Total</b>		<b>478 ( 6x)</b>



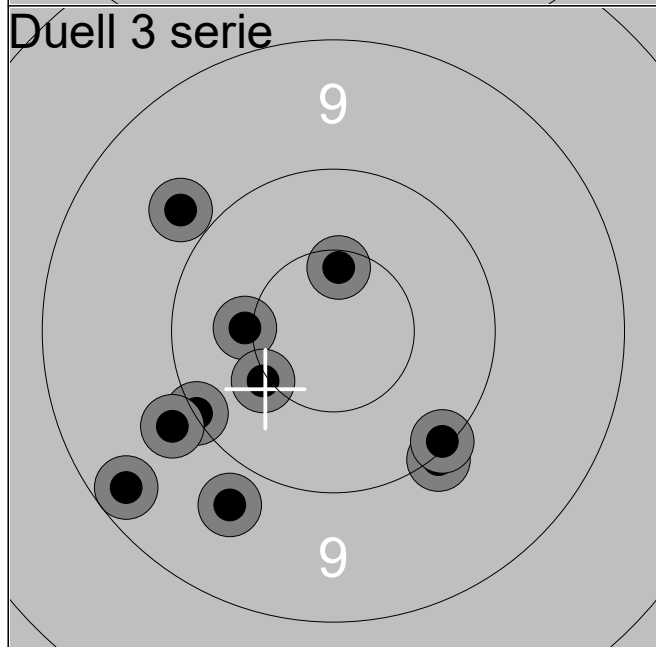
2.11s	10.7x	↑
2.29s	8.6	↑
2.25s	10.7x	←
2.29s	10.2	↘
2.12s	10.1	↘
2.17s	9.7	↑
2.52s	10.0	↘
2.38s	10.0	↑
2.25s	9.3	↗
2.23s	10.4	↘
<b>Serie</b>		<b>96 ( 2x)</b>
<b>Total</b>		<b>574 ( 8x)</b>



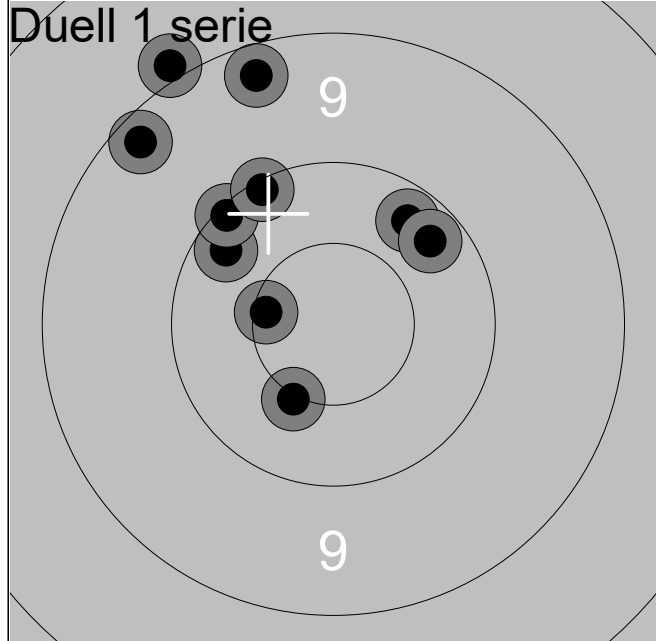
2.33s	9.1				
2.48s	10.4x				↘
2.39s	10.6x				↙
2.25s	10.0				↗
2.18s	10.6x				↑
2.47s	9.5				↙
2.24s	10.6x				↘
2.09s	10.2				↗
2.46s	10.1				↙
2.37s	10.2				→
<b>Serie</b>					<b>98 ( 4x)</b>
<b>Total</b>					<b>382 ( 4x)</b>



2.35s	9.3				
2.34s	8.0				↙
2.23s	10.4x				↙
2.27s	9.6				↘
2.24s	10.3				↗
2.31s	10.3				↘
2.52s	8.5				↗
2.11s	10.4				↑
2.35s	9.6				↘
2.44s	9.7				↙
<b>Serie</b>					<b>92 ( 1x)</b>
<b>Total</b>					<b>474 ( 5x)</b>



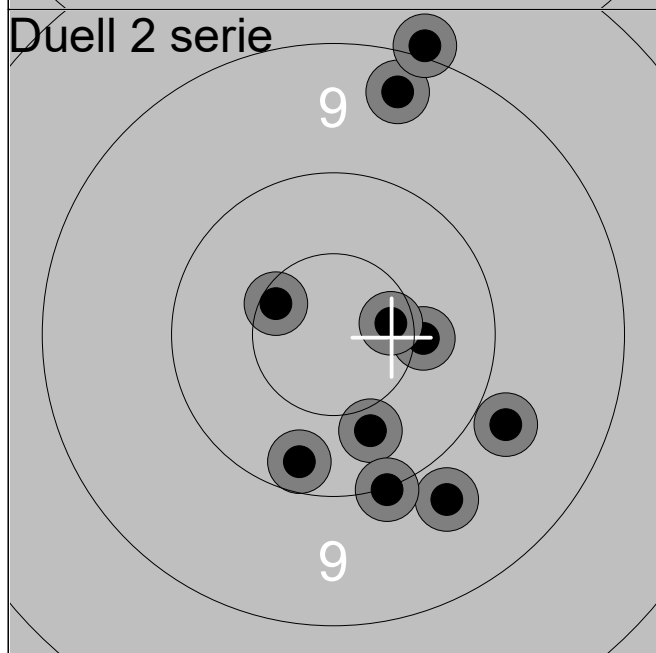
2.29s	10.0				
2.23s	9.8				↖
2.24s	10.4x				↙
2.34s	9.8				↘
2.31s	10.5x				↙
2.22s	9.3				↙
2.25s	10.0				↙
2.42s	10.6x				↑
2.16s	10.1				↘
2.22s	9.9				↙
<b>Serie</b>					<b>96 ( 3x)</b>
<b>Total</b>					<b>570 ( 8x)</b>



2.31s	9.0	↗
2.38s	10.5x	↓
2.46s	10.2	↗
2.47s	10.6x	←
2.21s	10.2	↗
2.65s	9.3	↗
2.47s	10.1	↗
2.88s	9.3	↗
2.36s	10.1	↗
2.64s	10.2	↗

**Serie 97 ( 2x)**

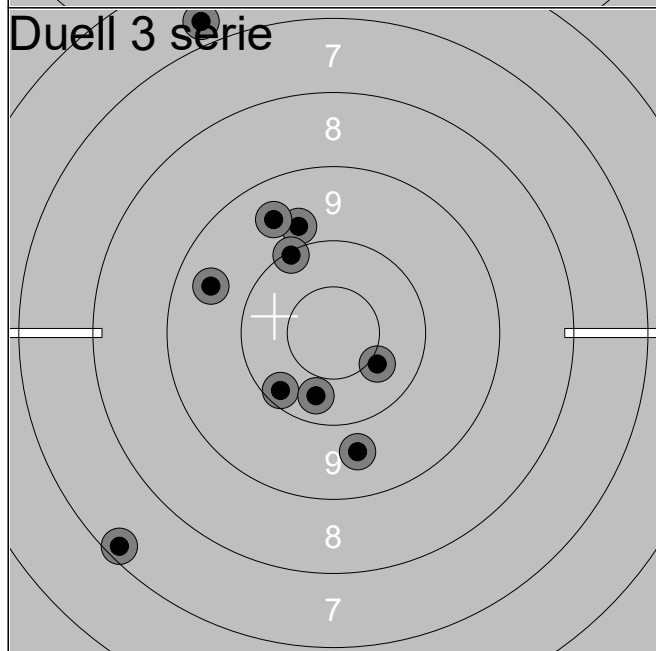
**Total 380 ( 2x)**



2.50s	9.4	↑
2.76s	9.8	↓
2.54s	10.2	↓
2.42s	10.4	↓
2.42s	10.6x	↖
2.59s	9.0	↑
2.50s	10.0	↓
2.43s	10.4x	→
2.67s	10.6x	→
2.27s	9.8	↘

**Serie 96 ( 3x)**

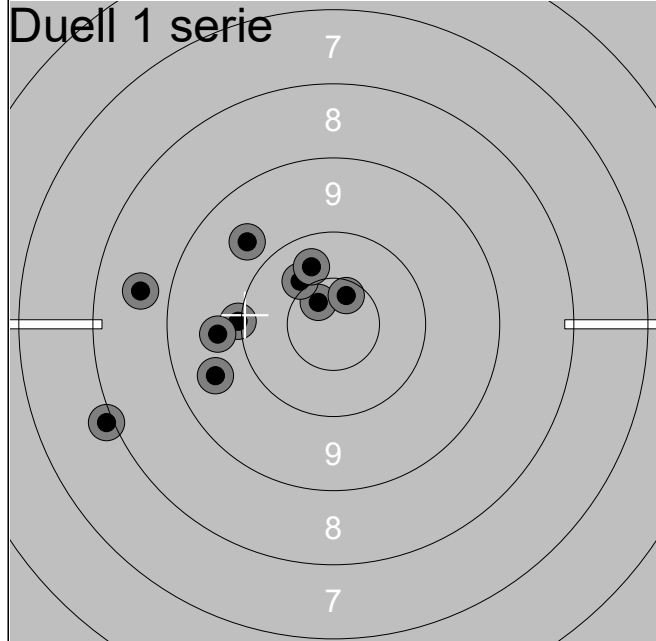
**Total 476 ( 5x)**



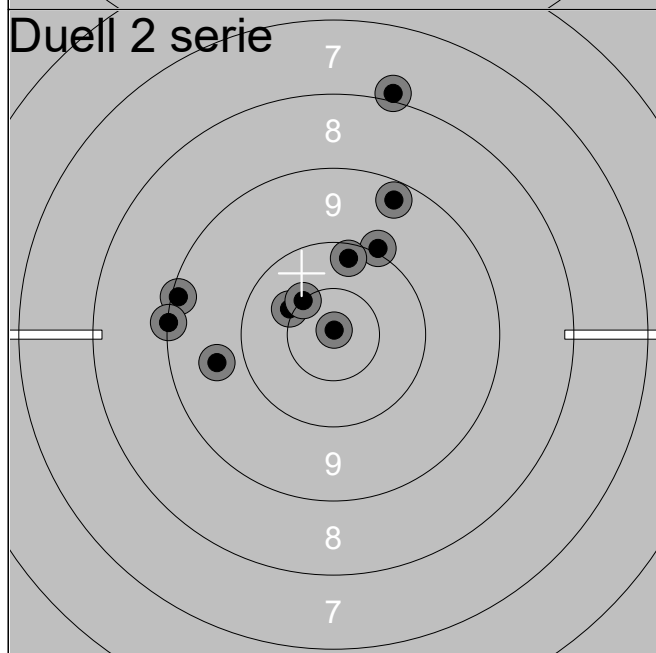
2.38s	9.8	↑
2.50s	10.2	↘
2.43s	7.2	↘
2.47s	9.6	↗
2.43s	10.3	↓
2.52s	10.1	↗
2.54s	10.4x	↘
2.52s	6.7	↗
2.27s	9.5	↖
2.42s	9.7	↓

**Serie 89 ( 1x)**

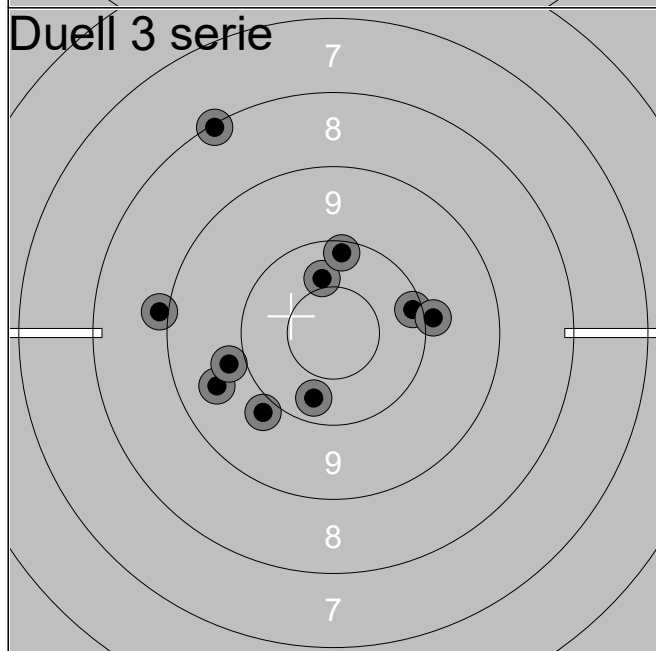
**Total 565 ( 6x)**



2.42s	10.7x	↗
2.61s	8.7	←
2.68s	10.0	←
2.37s	9.8	←
2.09s	10.6x	↗
2.48s	10.4x	↗
2.60s	8.0	←
2.44s	9.7	↗
2.43s	9.6	←
2.22s	10.3	↗
<b>Serie</b>		<b>93 ( 3x)</b>
<b>Total</b>		<b>375 ( 3x)</b>

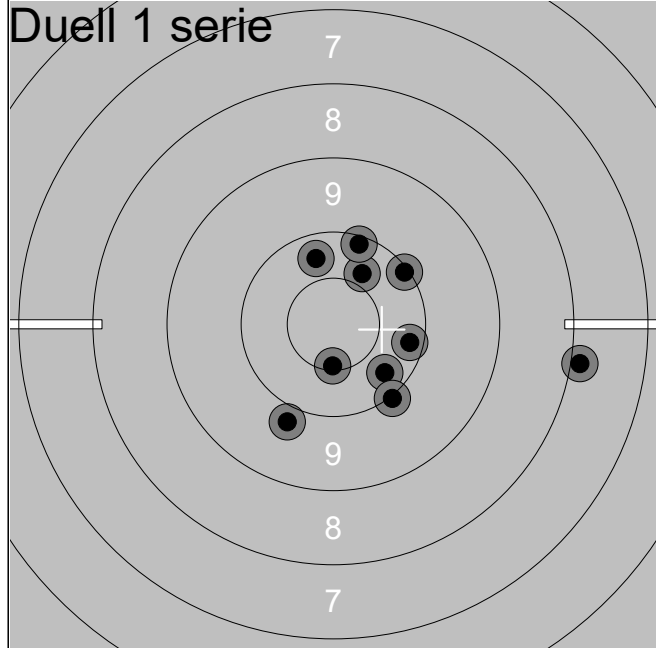


2.66s	10.9x	↑
2.46s	9.2	←
2.37s	10.0	↗
2.12s	9.3	↗
2.12s	9.7	←
2.23s	10.4x	↖
3.00s	8.0	↑
2.24s	10.5x	↗
2.39s	9.1	←
2.17s	10.2	↑
<b>Serie</b>		<b>94 ( 3x)</b>
<b>Total</b>		<b>469 ( 6x)</b>

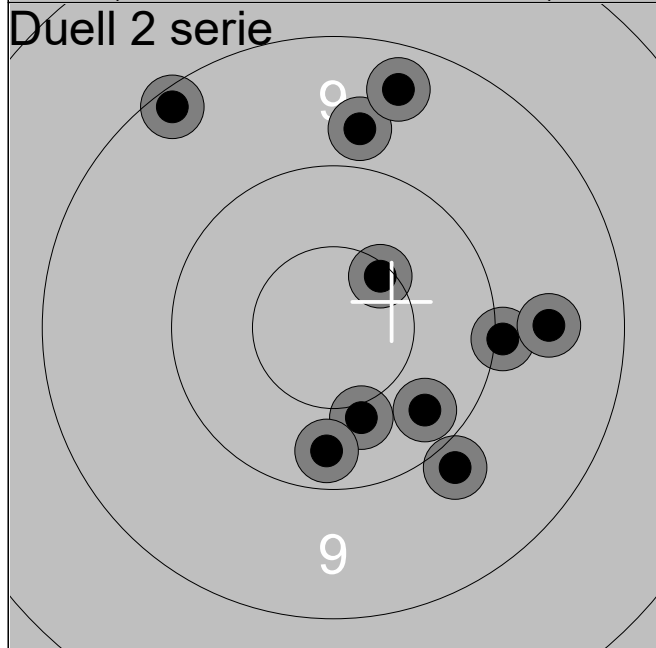


2.17s	10.4	↑
2.39s	10.2	↑
2.41s	9.6	←
2.23s	9.9	↘
2.31s	9.0	←
2.29s	10.1	→
2.36s	8.1	↗
2.49s	10.0	→
2.19s	10.3	↓
2.22s	9.8	←
<b>Serie</b>		<b>94 ( 0x)</b>
<b>Total</b>		<b>563 ( 6x)</b>

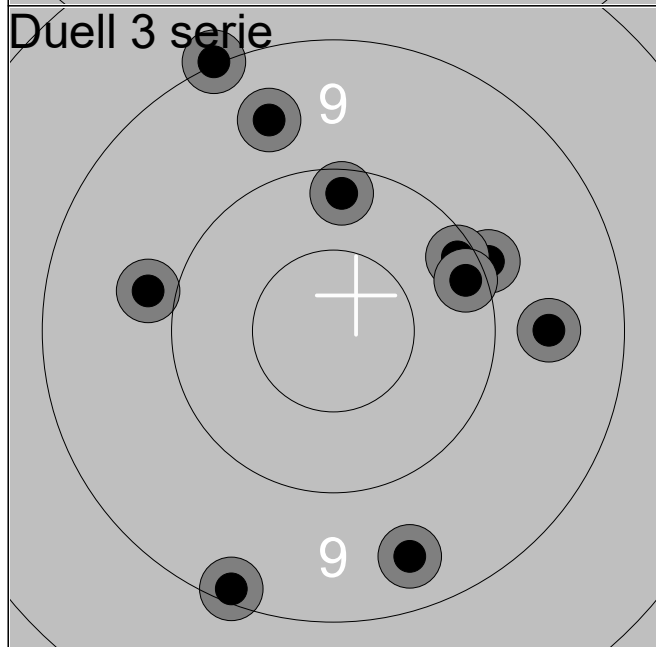




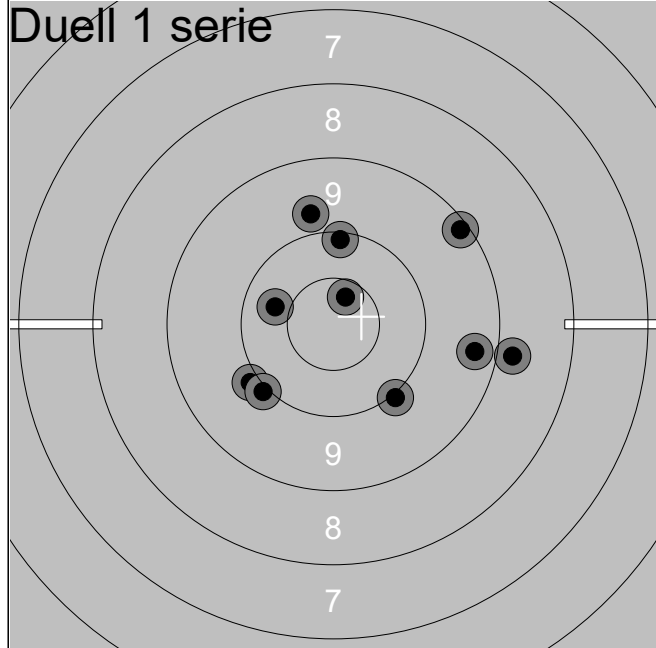
2.45s	10.4	↗
2.46s	10.3	↘
2.57s	7.9	→
2.68s	10.2	→
2.50s	10.0	↘
2.46s	10.1	↗
2.37s	10.1	↑
2.36s	10.3	↑
2.71s	9.9	↘
2.36s	10.5x	↓
<b>Serie</b>	<b>96 ( 1x)</b>	
<b>Total</b>	<b>378 ( 1x)</b>	



2.36s	9.9	↘
2.38s	10.0	→
2.50s	9.8	↑
2.54s	10.4x	↘
2.46s	10.6x	↗
2.49s	10.3	↓
2.54s	9.7	→
2.47s	9.2	↗
2.39s	10.3	↘
2.39s	9.4	↑
<b>Serie</b>	<b>95 ( 2x)</b>	
<b>Total</b>	<b>473 ( 3x)</b>	

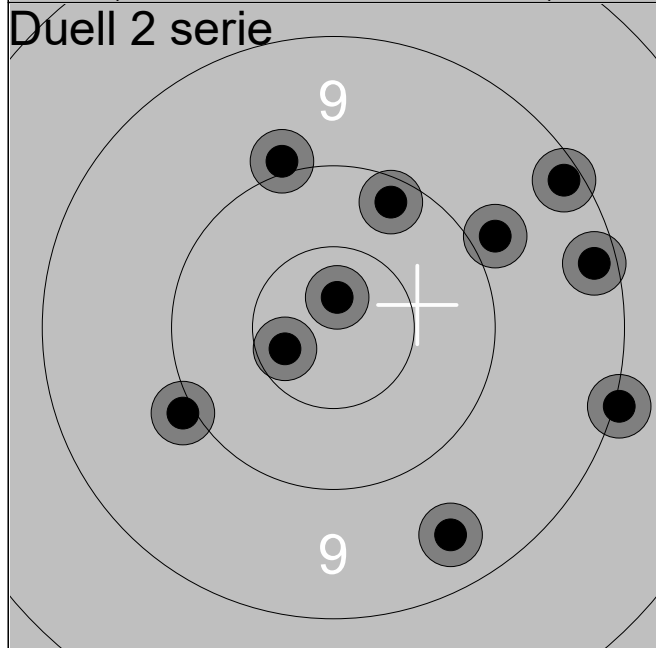


2.29s	10.2	↑
2.34s	9.9	←
2.52s	10.0	↗
2.31s	9.5	↘
2.50s	9.0	↗
2.31s	9.6	↑
2.27s	10.1	↗
2.39s	10.1	↗
2.48s	9.7	→
2.34s	9.2	↘
<b>Serie</b>	<b>94 ( 0x)</b>	
<b>Total</b>	<b>567 ( 3x)</b>	



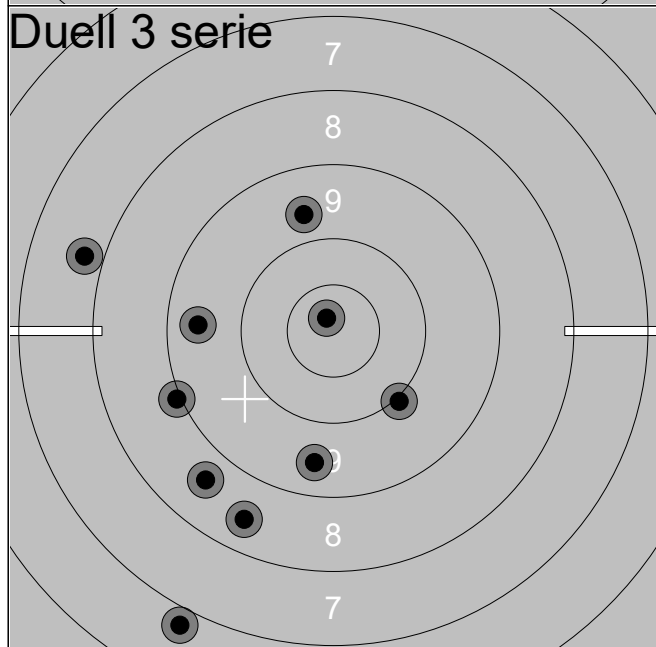
2.29s	9.9	↙
2.38s	9.2	↗
2.24s	10.0	↘
2.15s	10.3	↖
2.23s	9.4	→
2.38s	10.7x	↑
2.27s	10.0	↙
2.21s	8.9	→
2.23s	10.1	↑
2.02s	9.8	↑

<b>Serie</b>	<b>94 ( 1x)</b>
<b>Total</b>	<b>376 ( 1x)</b>



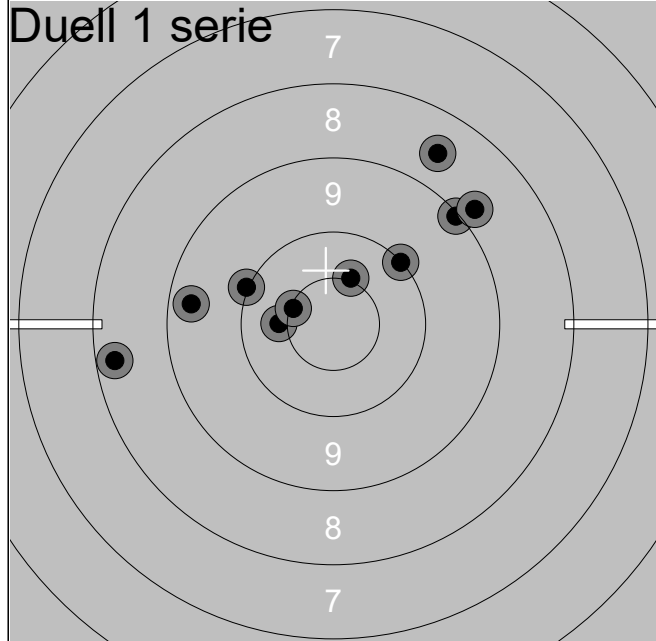
2.08s	9.2	→
2.04s	10.2	↑
2.22s	10.0	↙
1.87s	10.0	↑
2.08s	9.2	↗
2.11s	9.9	↗
2.17s	10.6x	↙
2.12s	10.8x	↑
2.02s	9.5	↘
1.93s	9.0	→

<b>Serie</b>	<b>95 ( 2x)</b>
<b>Total</b>	<b>471 ( 3x)</b>



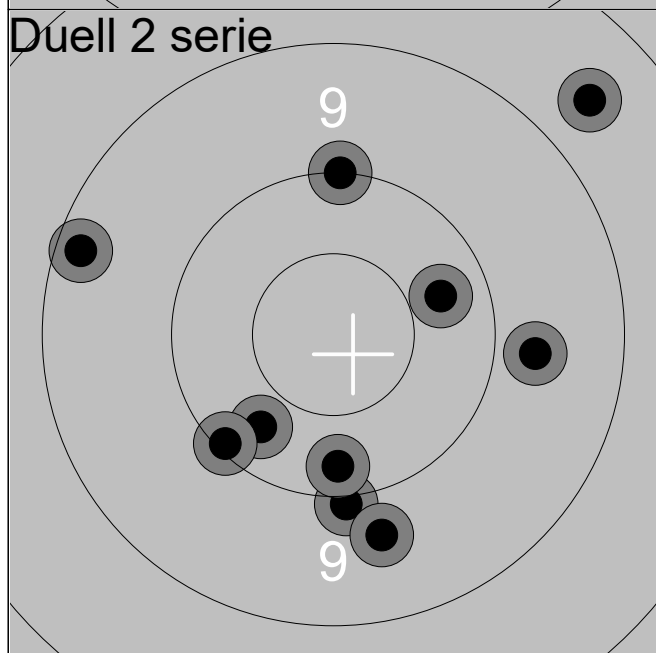
2.11s	8.5	↘
2.16s	9.7	↑
2.00s	8.7	↙
2.13s	10.0	↘
1.99s	10.8x	↗
2.21s	9.0	↙
2.23s	7.8	↙
2.10s	9.5	↙
2.08s	9.5	↘
2.12s	6.8	↘

<b>Serie</b>	<b>85 ( 1x)</b>
<b>Total</b>	<b>556 ( 4x)</b>



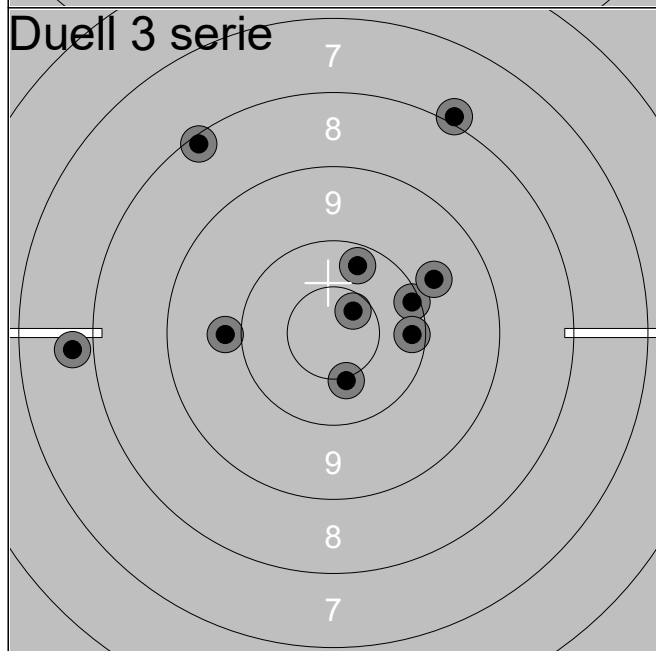
2.29s	8.3	←
2.33s	9.1	↗
2.31s	10.5x	↑
2.25s	8.6	↗
2.25s	10.4x	←
2.50s	10.5x	↖
2.17s	8.9	↗
2.63s	10.0	↖
2.09s	9.4	←
2.25s	10.0	↗

<b>Serie</b>	<b>92 ( 3x)</b>
<b>Total</b>	<b>372 ( 3x)</b>



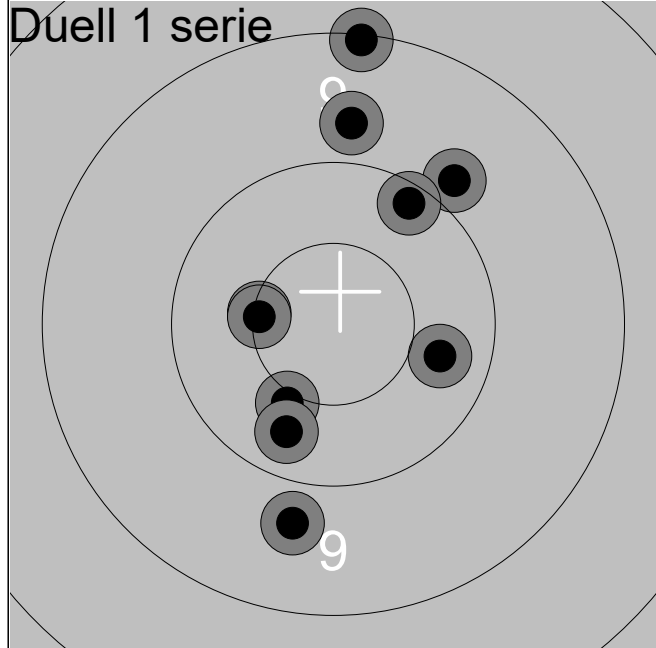
1.98s	10.3	↙
2.35s	10.3	→
2.33s	8.6	↗
2.25s	9.3	←
2.52s	10.0	↑
2.45s	10.0	↓
2.24s	10.2	↓
2.25s	9.7	↓
2.06s	9.8	→
2.20s	10.1	↙

<b>Serie</b>	<b>95 ( 0x)</b>
<b>Total</b>	<b>467 ( 3x)</b>



2.47s	7.8	←
1.92s	8.2	↖
2.43s	10.7x	↗
2.31s	10.1	→
2.31s	9.9	←
2.22s	10.5x	↓
2.21s	10.2	→
2.19s	8.0	↗
2.06s	9.8	↗
1.99s	10.2	↑

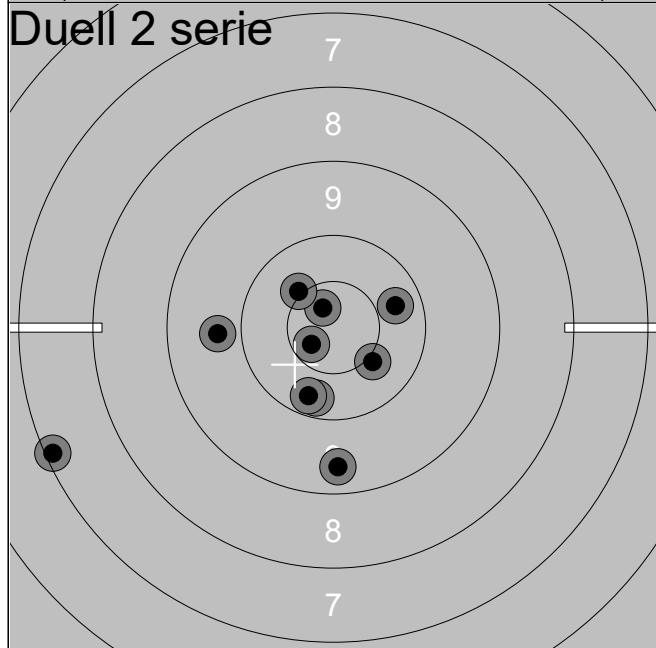
<b>Serie</b>	<b>91 ( 2x)</b>
<b>Total</b>	<b>558 ( 5x)</b>



2.64s	10.4x	↙
2.52s	9.8	↓
2.79s	9.9	↗
2.52s	10.1	↗
2.50s	9.8	↑
2.74s	9.1	↑
2.57s	10.3	→
2.65s	10.3	↓
2.73s	10.5x	←
2.64s	10.5x	←

Serie 96 ( 3x)

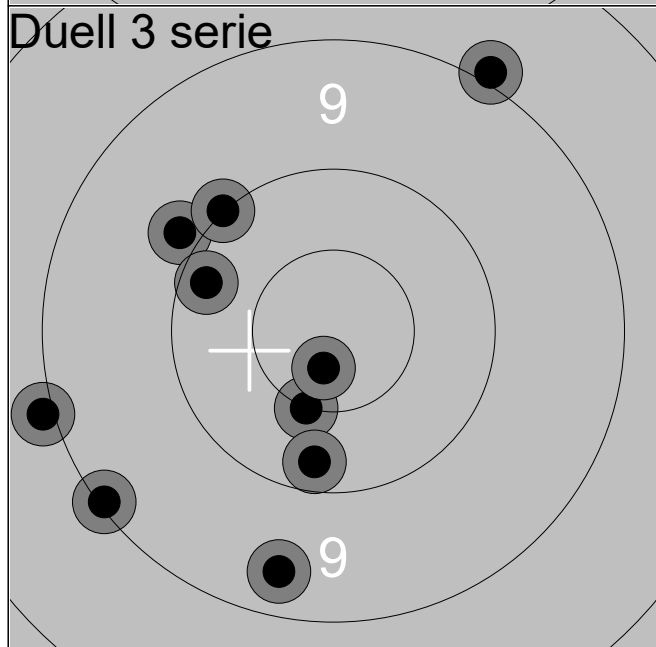
Total 375 ( 3x)



2.77s	7.2	←
2.71s	9.4	↓
2.67s	10.7x	↙
2.74s	9.7	←
2.61s	10.2	↓
2.60s	10.7x	↗
2.67s	10.3	→
2.40s	10.4x	↘
2.45s	10.5x	↗
2.40s	10.2	↓

Serie 95 ( 4x)

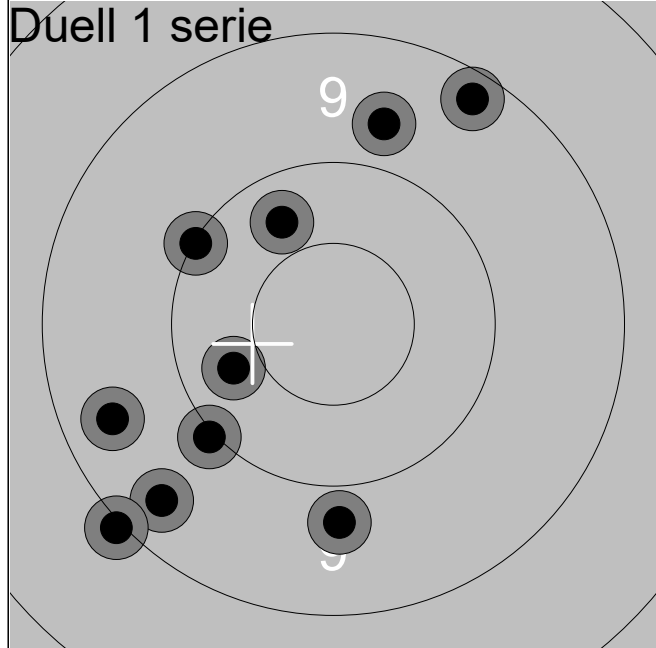
Total 470 ( 7x)



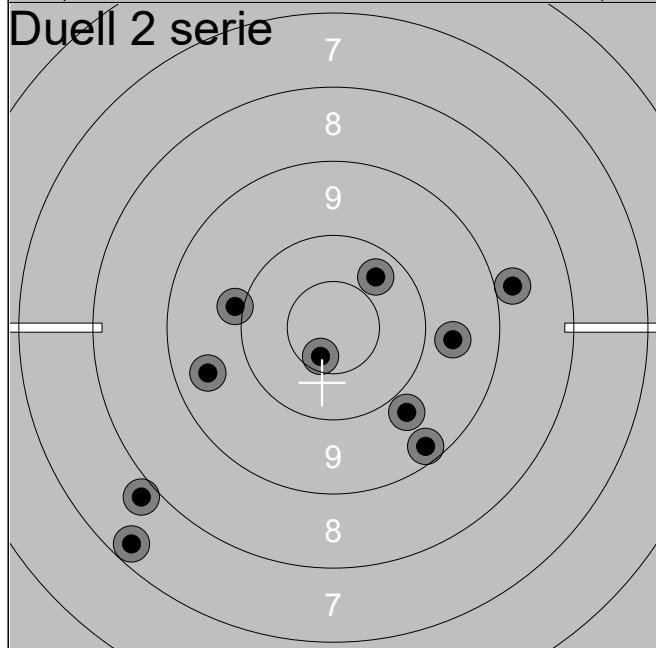
2.48s	9.9	↖
2.79s	10.5x	↓
2.58s	10.7x	↓
2.42s	10.0	↗
2.56s	10.2	←
2.47s	9.0	↗
2.67s	9.1	↙
2.64s	9.4	↓
2.43s	9.0	←
2.50s	10.2	↓

Serie 95 ( 2x)

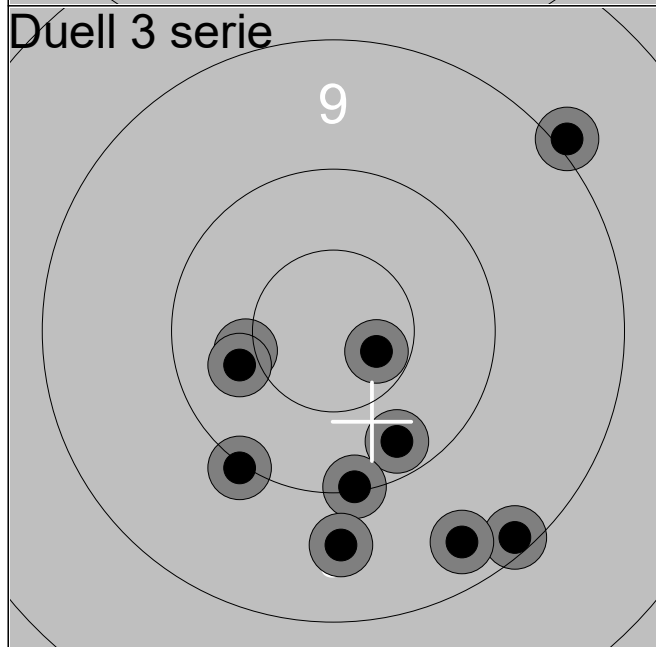
Total 565 ( 9x)



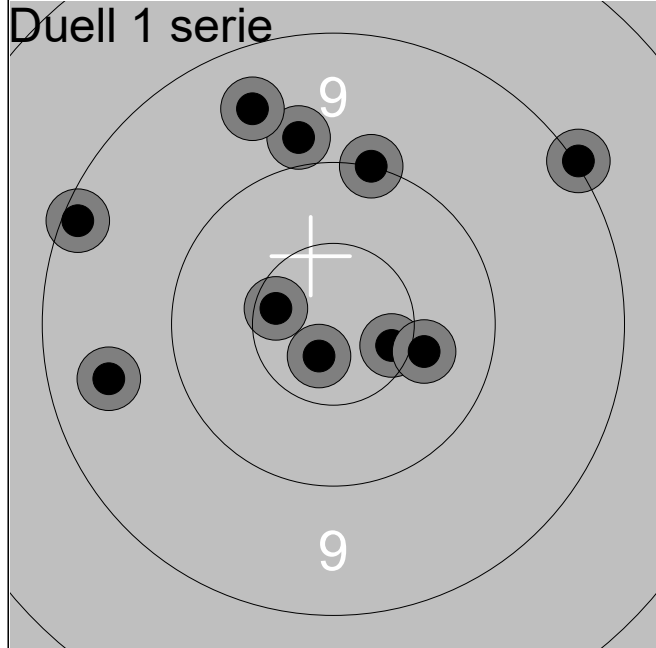
2.47s	9.3	↗
2.48s	9.4	↘
2.45s	10.0	↖
2.47s	9.5	←
2.37s	10.3	↗
2.66s	9.7	↗
2.63s	9.0	↘
2.33s	10.3	←
2.70s	9.8	↓
2.54s	10.0	↘
<b>Serie</b>		<b>94 ( 0x)</b>
<b>Total</b>		<b>373 ( 0x)</b>



2.33s	9.5	←
2.63s	9.8	↘
2.45s	7.9	↘
2.24s	9.3	↘
2.38s	9.7	→
2.73s	7.3	↘
2.38s	10.0	←
2.52s	10.6x	↘
2.29s	10.3	↗
2.46s	8.8	→
<b>Serie</b>		<b>88 ( 1x)</b>
<b>Total</b>		<b>461 ( 1x)</b>



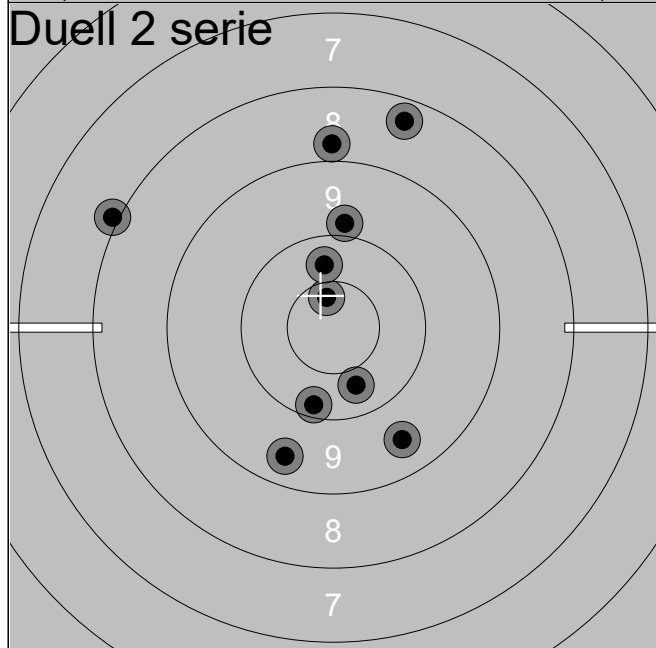
2.21s	10.2	↘
2.15s	9.0	↗
2.39s	10.1	↘
2.23s	10.4x	←
2.39s	10.4	←
2.27s	10.7x	↗
2.23s	10.0	↘
2.47s	9.2	↘
2.42s	9.7	↓
2.61s	9.4	↘
<b>Serie</b>		<b>96 ( 2x)</b>
<b>Total</b>		<b>557 ( 3x)</b>



2.46s	10.6x	➔
2.41s	10.6x	➔
2.34s	9.2	➔
2.50s	10.8x	➔
2.25s	9.8	➔
2.38s	9.5	➔
2.52s	10.0	➔
2.22s	9.0	➔
2.61s	10.4x	➔
2.96s	9.5	➔

Serie 95 ( 4x)

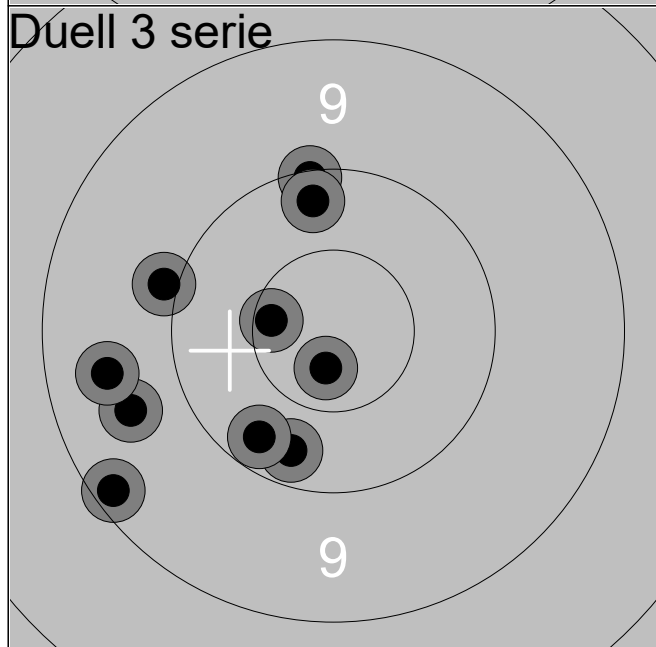
Total 374 ( 4x)



2.59s	9.5	➔
2.27s	9.9	➔
2.64s	8.4	➔
2.40s	10.2	➔
2.36s	10.3	➔
2.80s	8.0	➔
2.54s	10.6x	➔
2.72s	8.8	➔
2.52s	10.3	➔
2.49s	9.5	➔

Serie 91 ( 1x)

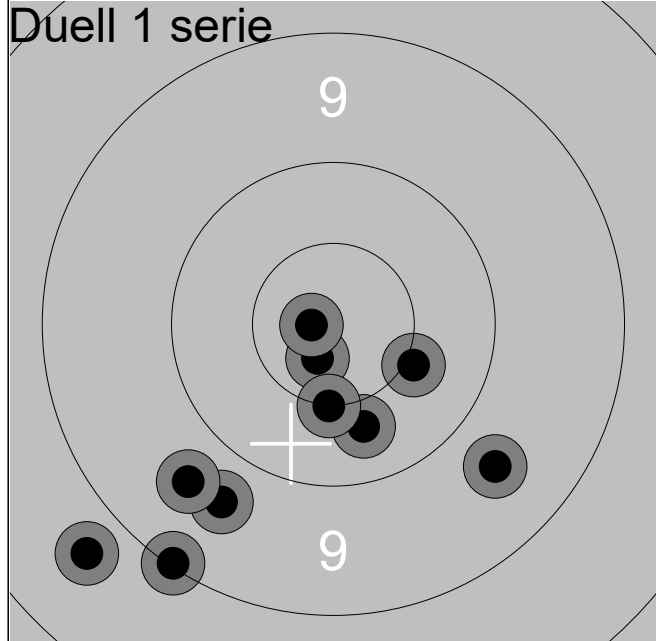
Total 465 ( 5x)



2.33s	10.7x	➔
2.24s	10.0	➔
2.47s	10.2	➔
2.21s	10.1	➔
2.27s	10.2	➔
2.24s	9.2	➔
2.42s	10.2	➔
2.36s	9.6	➔
2.29s	10.6x	➔
2.41s	9.5	➔

Serie 97 ( 2x)

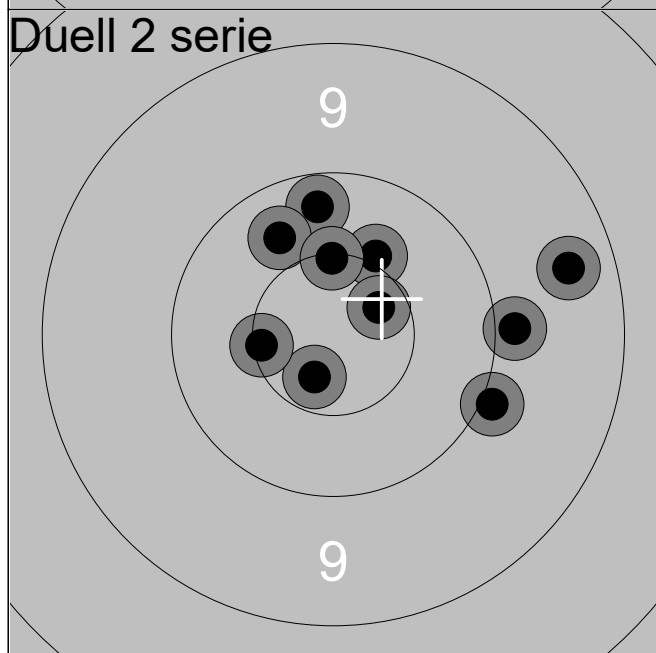
Total 562 ( 7x)



2.50s	9.7	↘
2.25s	10.7x	↓
2.44s	10.8x	←
2.31s	9.7	↘
2.42s	8.7	↙
2.54s	10.3	↓
2.74s	10.5x	↓
2.65s	9.7	↙
2.80s	9.1	↙
2.60s	10.4x	↘

Serie 94 ( 4x)

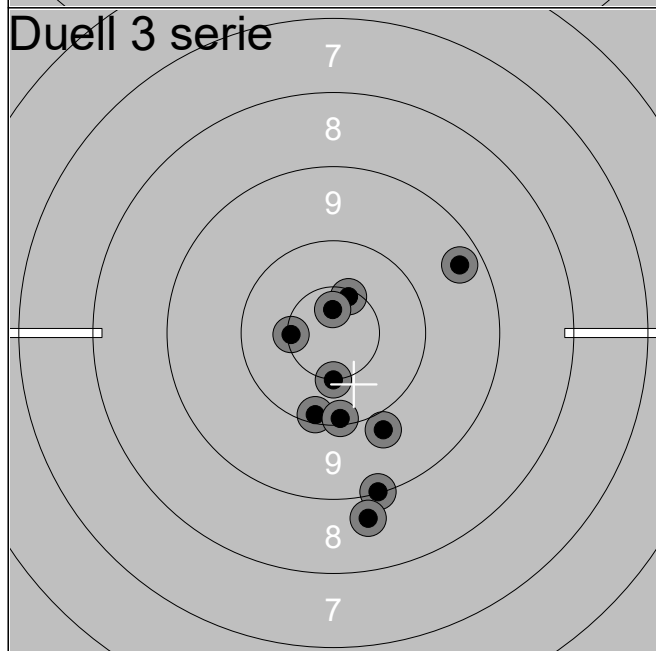
Total 373 ( 4x)



2.82s	9.4	→
2.44s	9.9	→
2.60s	10.0	↘
2.64s	10.7x	↓
2.81s	10.4x	↗
2.45s	10.2	↑
2.78s	10.3	↗
2.77s	10.7x	↗
2.52s	10.5x	←
2.82s	10.5x	↑

Serie 98 ( 5x)

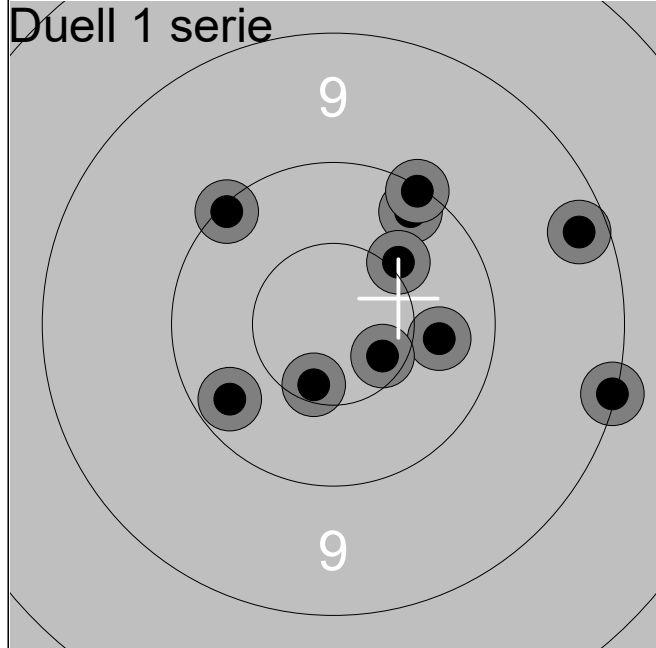
Total 471 ( 9x)



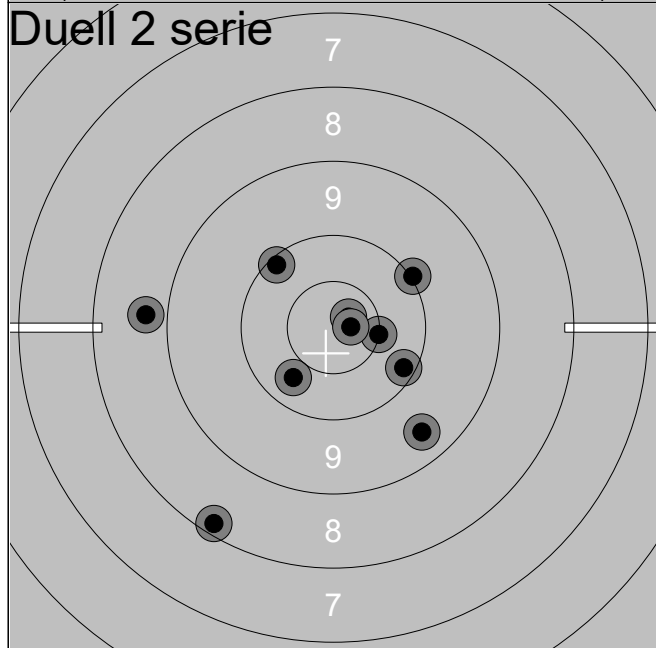
2.37s	9.1	↓
2.72s	10.5x	←
2.76s	10.1	↓
2.67s	10.5x	↓
2.69s	10.6x	↗
2.49s	9.4	↗
2.72s	10.7x	↑
2.72s	10.1	↓
2.73s	9.8	↓
2.46s	8.8	↓

Serie 95 ( 4x)

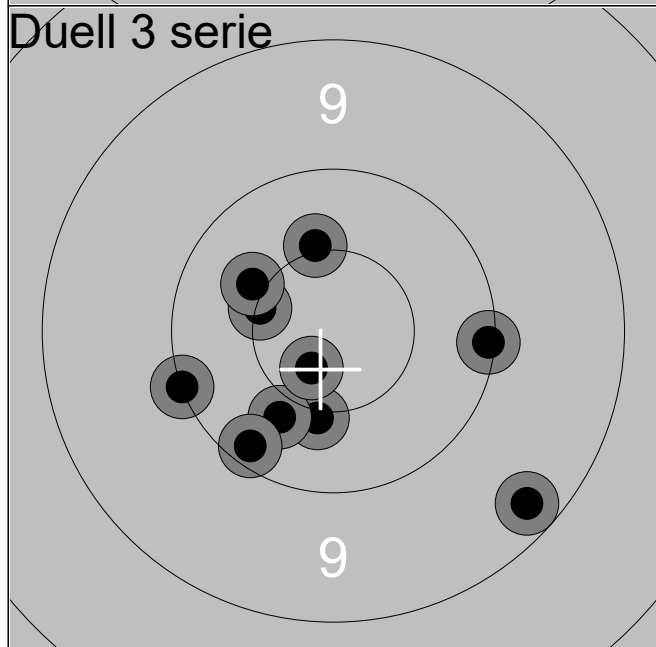
Total 566 ( 13x)



2.60s	10.3	→
2.46s	10.2	↗
2.19s	10.4x	↗
2.49s	9.3	→
2.46s	10.1	↖
2.47s	10.2	↖
2.42s	10.6x	↘
2.60s	9.1	→
2.23s	10.6x	↓
2.29s	10.1	↗
<b>Serie</b>	<b>98 ( 3x)</b>	
<b>Total</b>	<b>375 ( 3x)</b>	

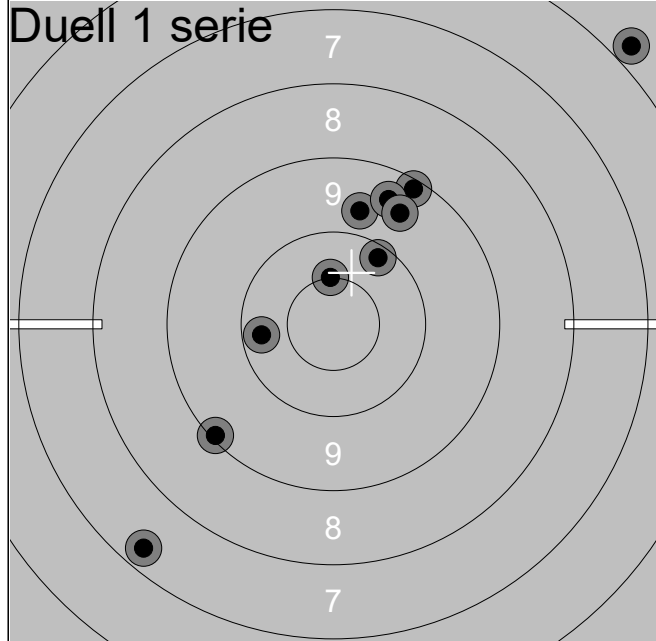


2.59s	10.8x	↗
2.37s	10.3	↘
2.61s	10.5x	→
2.31s	10.0	↗
2.35s	10.1	↗
2.20s	9.5	↘
2.24s	10.2	↘
2.19s	8.8	←
2.14s	10.8x	→
2.38s	8.2	↘
<b>Serie</b>	<b>95 ( 3x)</b>	
<b>Total</b>	<b>470 ( 6x)</b>	



2.67s	10.1	→
2.38s	10.5x	↓
2.43s	10.5x	←
2.46s	9.3	↘
2.44s	10.4	↘
2.66s	10.4x	↖
2.54s	10.1	↘
2.40s	10.0	←
2.52s	10.5x	↑
2.39s	10.7x	↘
<b>Serie</b>	<b>99 ( 5x)</b>	
<b>Total</b>	<b>569 (11x)</b>	

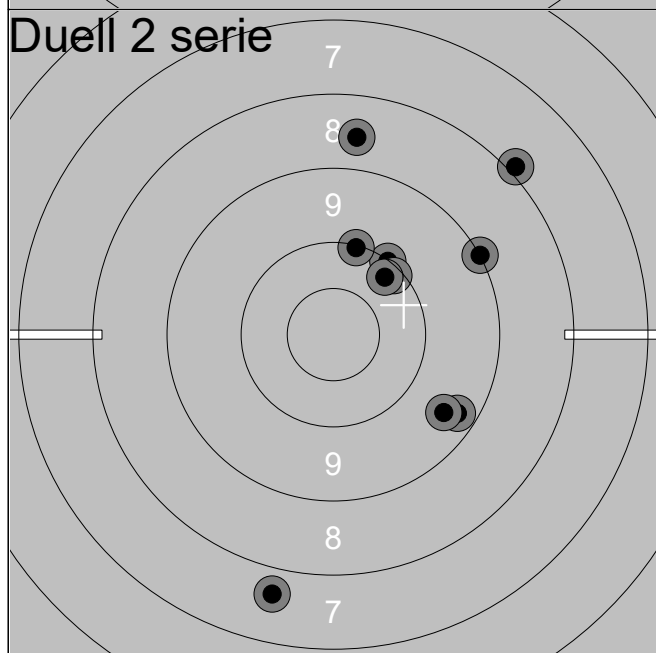




2.62s	10.2	↗
2.60s	9.1	↙
2.59s	10.5x	↑
2.50s	10.2	←
2.56s	9.7	↑
2.54s	9.2	↗
2.65s	9.5	↗
2.60s	9.6	↗
2.50s	7.3	↙
2.65s	5.8	↗

<b>Serie</b>	<b>87 ( 1x)</b>
--------------	-----------------

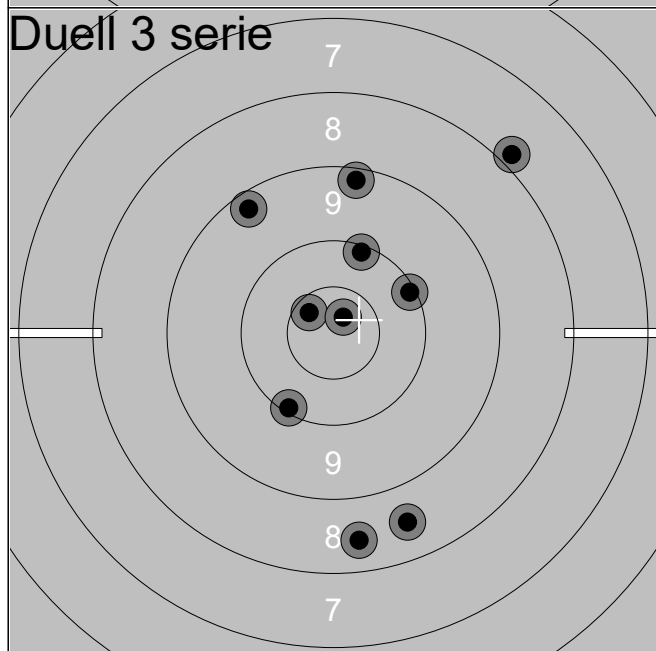
<b>Total</b>	<b>364 ( 1x)</b>
--------------	------------------



2.67s	9.3	↘
2.80s	7.7	↓
2.76s	8.6	↑
2.70s	10.0	↗
2.69s	8.0	↗
2.52s	10.1	↗
2.73s	9.5	↘
2.65s	10.2	↗
2.63s	10.1	↑
2.72s	9.1	↗

<b>Serie</b>	<b>90 ( 0x)</b>
--------------	-----------------

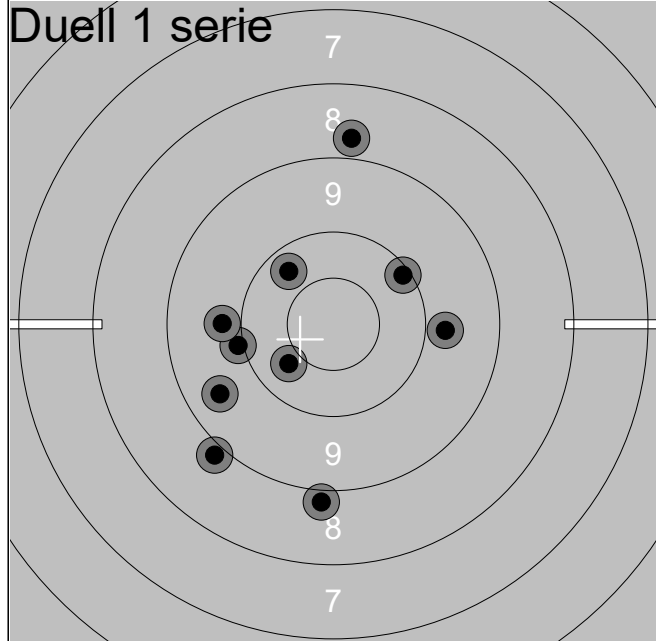
<b>Total</b>	<b>454 ( 1x)</b>
--------------	------------------



2.65s	8.5	↓
2.78s	9.2	↑
2.66s	7.9	↗
2.62s	9.3	↖
2.74s	8.6	↓
2.46s	10.1	↗
2.71s	10.1	↓
2.74s	10.6x	↖
2.57s	10.8x	↗
2.68s	10.1	↑

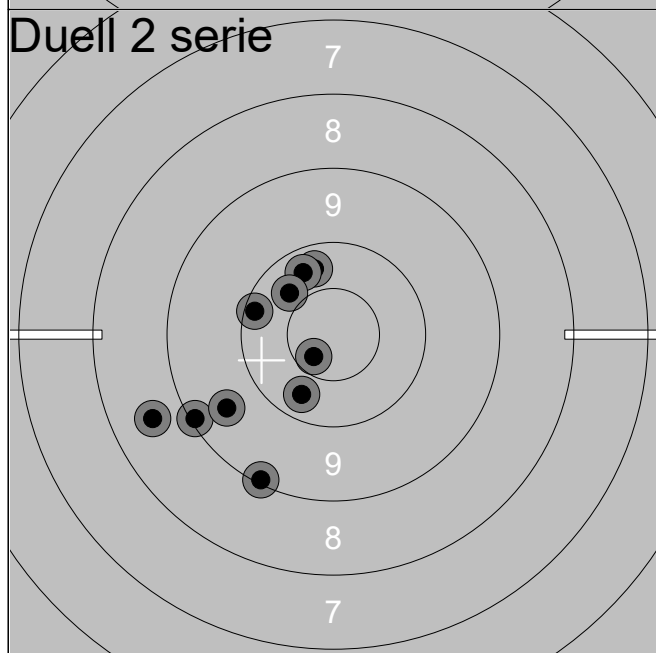
<b>Serie</b>	<b>91 ( 2x)</b>
--------------	-----------------

<b>Total</b>	<b>545 ( 3x)</b>
--------------	------------------



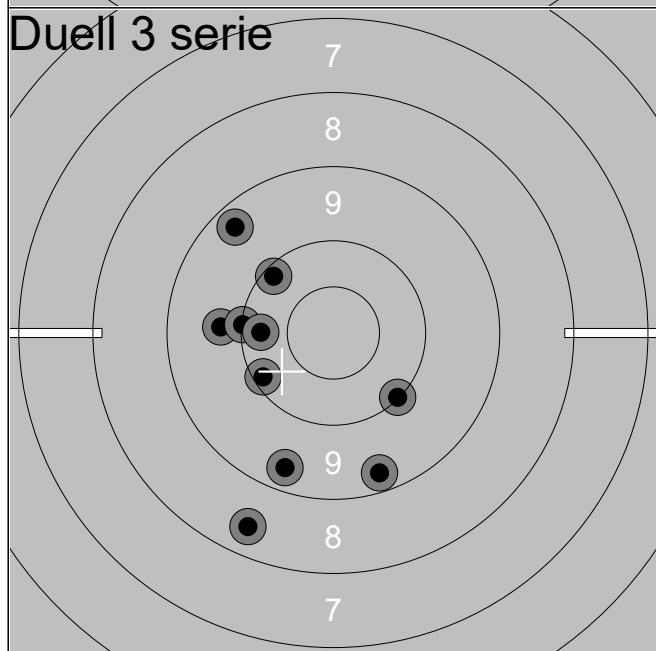
2.41s	10.0	←
2.85s	10.4	↙
2.63s	8.8	↑
2.80s	8.9	↓
2.79s	10.3	↖
2.56s	10.1	↗
2.54s	9.5	↙
2.78s	9.8	←
2.83s	9.8	→
2.92s	8.9	↙

Serie	91 ( 0x)
Total	368 ( 0x)



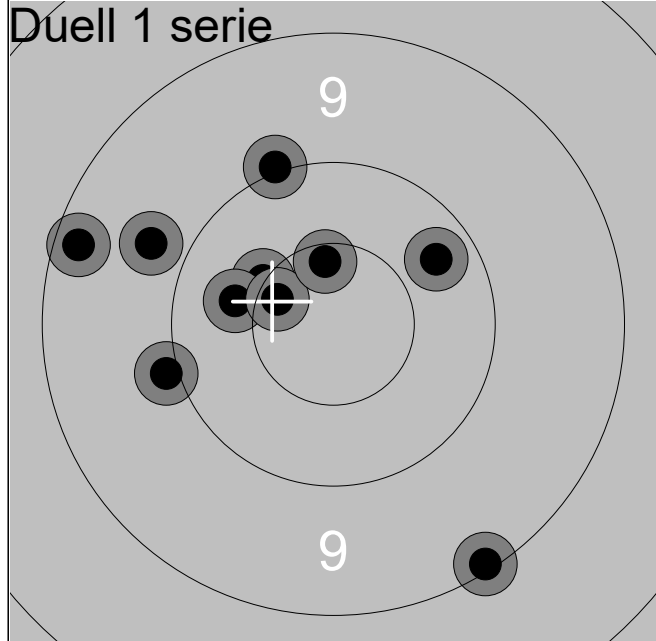
2.54s	10.1	←
2.67s	10.3	↑
2.75s	9.1	↙
2.75s	8.6	←
2.83s	10.7x	↙
2.54s	10.3	↑
2.70s	9.6	↙
2.83s	10.3	↓
2.75s	9.1	↓
2.56s	10.4	↖

Serie	95 ( 1x)
Total	463 ( 1x)



2.73s	9.8	←
2.63s	8.5	↓
2.71s	10.1	↙
2.54s	9.4	↓
2.66s	9.3	↓
2.76s	10.1	↖
2.91s	9.4	↖
2.41s	10.0	←
2.58s	10.1	↙
2.65s	10.2	←

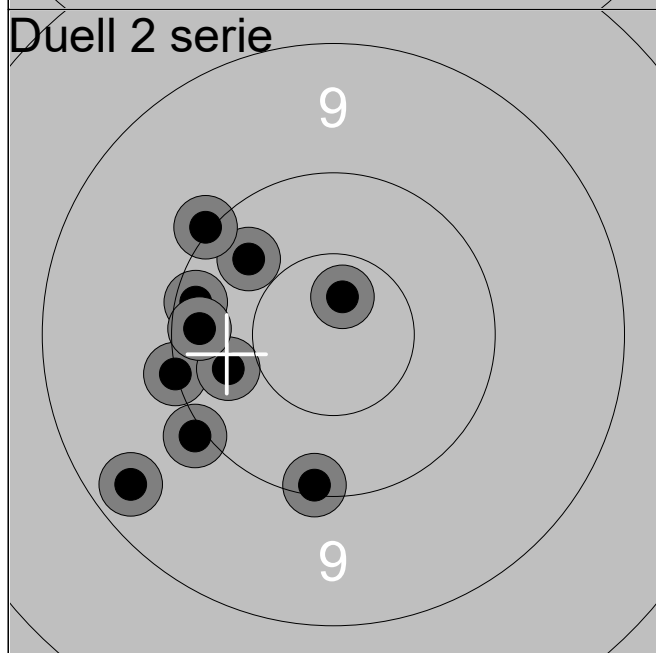
Serie	94 ( 0x)
Total	557 ( 1x)



2.77s	10.0	↗
2.74s	9.8	↖
2.72s	10.3	↗
2.94s	10.5x	↗
2.89s	9.3	↖
2.80s	10.4	↖
2.85s	10.6x	↗
2.88s	10.6x	↑
2.78s	9.1	↘
2.79s	10.0	↖

Serie 97 ( 3x)

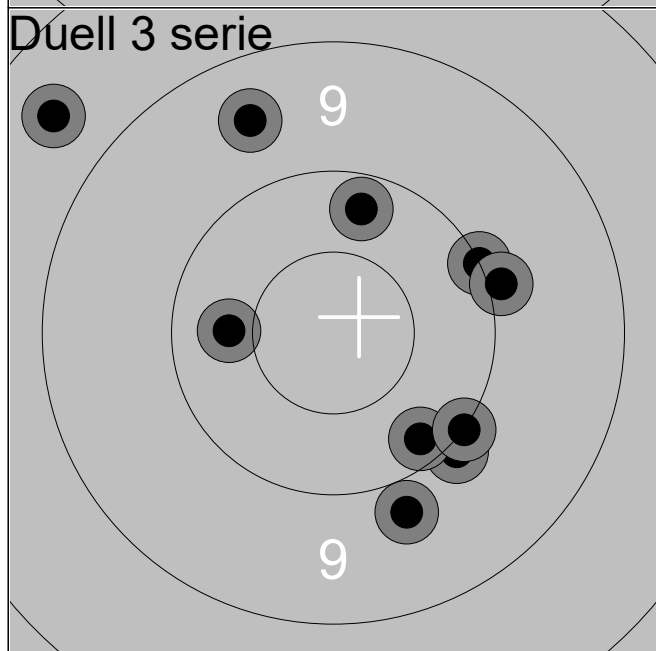
Total 373 ( 3x)



2.83s	10.2	↖
2.86s	10.3	↗
2.94s	10.1	↘
2.88s	10.7x	↑
2.72s	10.0	↖
2.81s	10.0	↗
2.85s	10.3	↖
2.85s	10.2	↖
2.70s	9.4	↘
2.83s	10.0	↘

Serie 99 ( 1x)

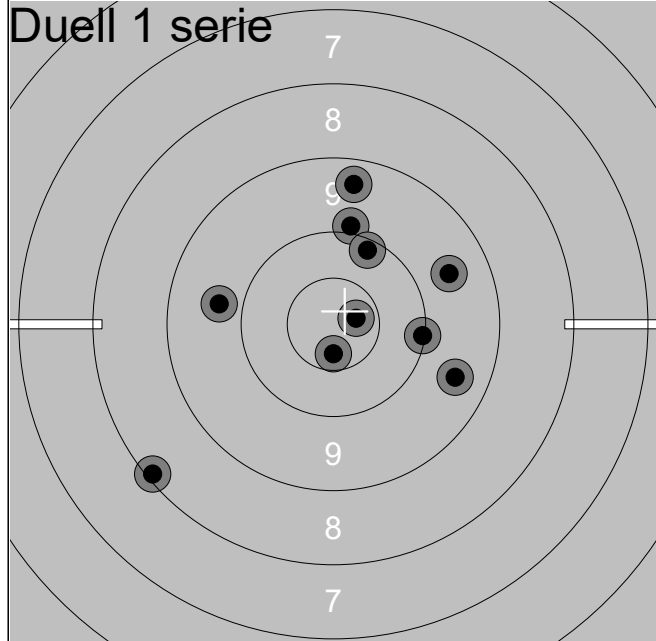
Total 472 ( 4x)



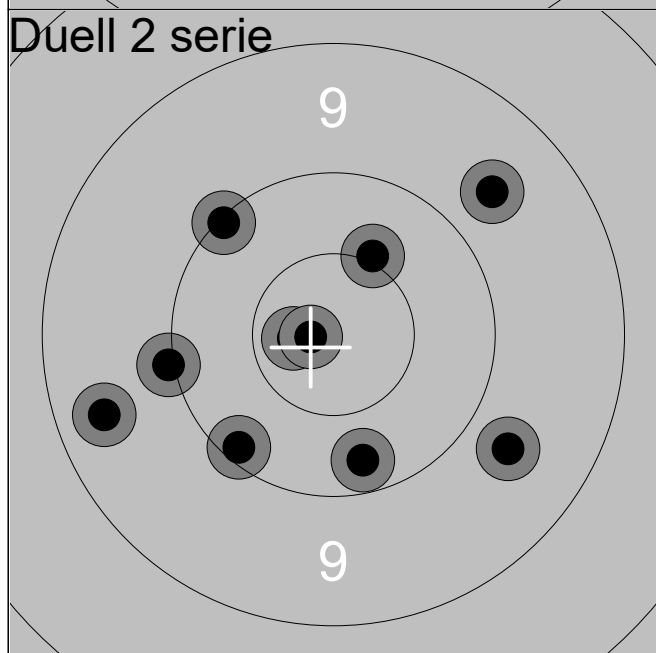
2.82s	9.6	↗
2.84s	10.2	↑
2.81s	10.4	↖
2.78s	9.8	↘
2.81s	10.0	↗
2.95s	8.6	↗
2.77s	10.0	↘
2.78s	10.2	↘
2.84s	10.0	↗
2.83s	10.0	↘

Serie 96 ( 0x)

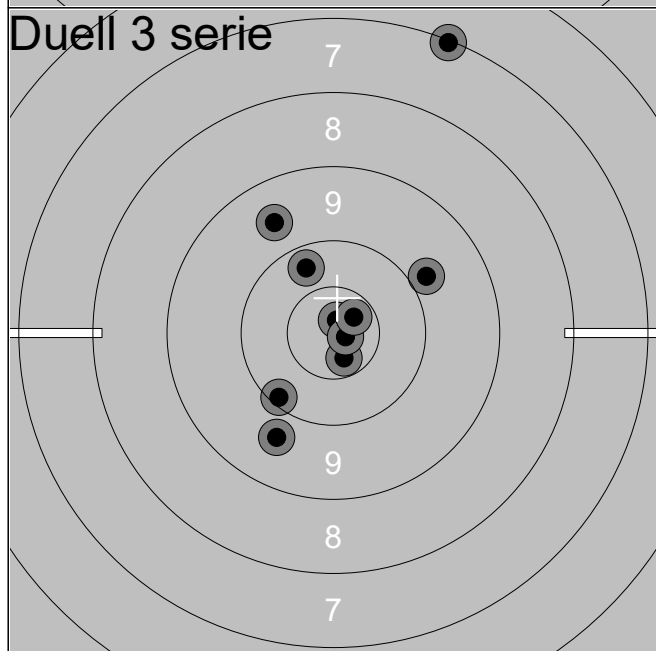
Total 568 ( 4x)



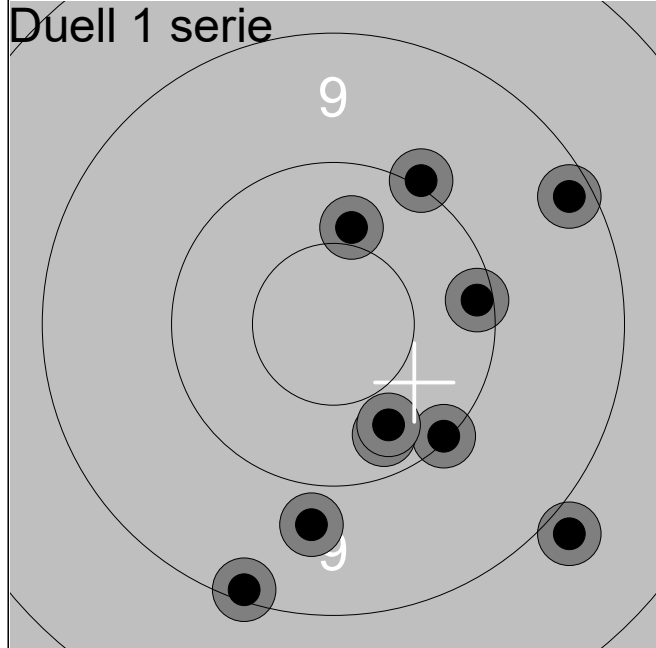
2.46s	10.7x	→
2.69s	10.0	↑
2.42s	9.5	→
2.49s	10.1	↑
2.42s	10.1	→
3.15s	9.4	↑
2.50s	9.8	←
2.61s	8.1	↙
2.63s	9.6	→
2.41s	10.7x	↓
<b>Serie</b>		<b>94 ( 2x)</b>
<b>Total</b>		<b>368 ( 2x)</b>



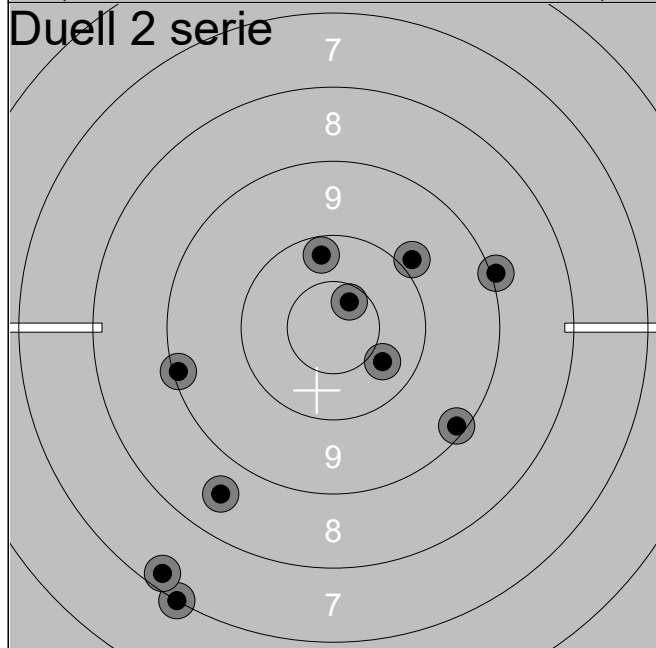
2.70s	9.7	↗
2.82s	10.0	←
2.54s	9.7	→
2.43s	10.5x	↑
2.49s	10.1	↖
2.50s	10.7x	←
2.63s	10.2	↓
2.67s	10.1	↙
2.40s	10.8x	←
2.08s	9.4	←
<b>Serie</b>		<b>97 ( 3x)</b>
<b>Total</b>		<b>465 ( 5x)</b>



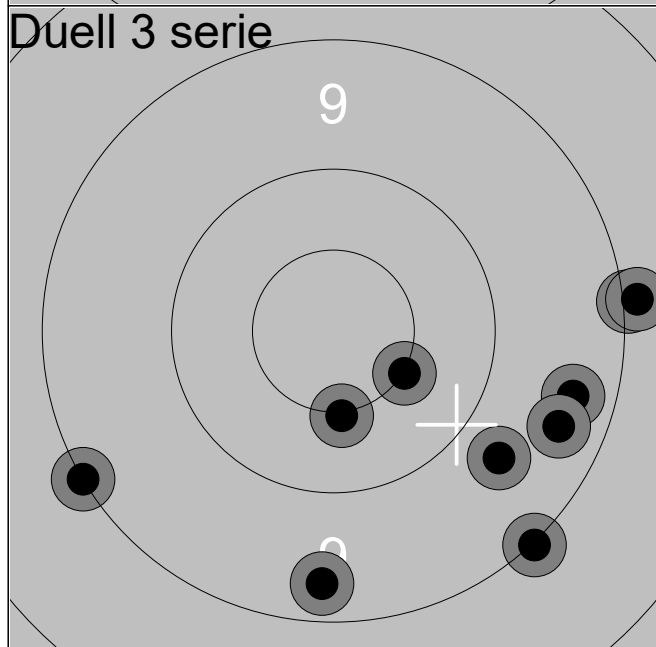
2.24s	9.7	↙
2.41s	9.6	↖
2.41s	9.9	↗
2.52s	7.1	↑
2.36s	10.3	↑
2.54s	10.7x	↓
2.72s	10.1	↙
2.68s	10.8x	↑
2.52s	10.8x	→
2.52s	10.7x	↗
<b>Serie</b>		<b>94 ( 4x)</b>
<b>Total</b>		<b>559 ( 9x)</b>



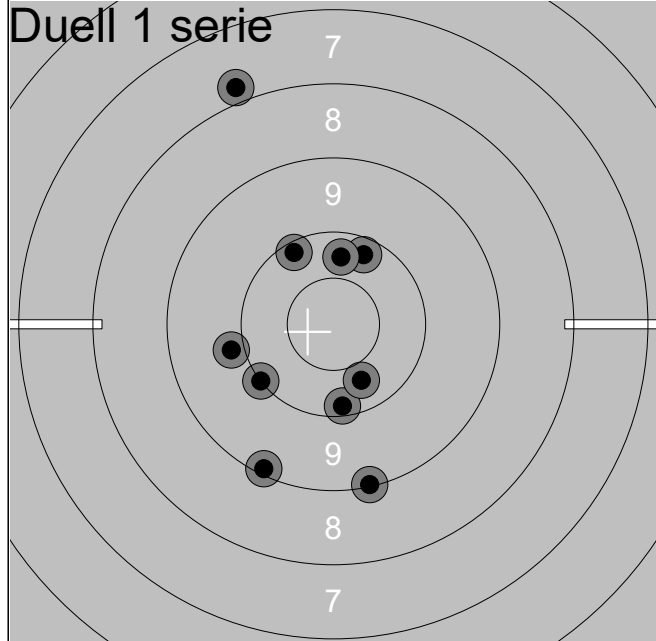
2.39s	9.2	➔
2.46s	10.1	⬇
2.39s	10.3	⬇
2.33s	10.4	⬆
2.31s	10.3	⬇
2.44s	9.2	⬇
2.34s	10.1	➔
2.44s	9.8	⬇
2.61s	10.0	↗
2.78s	8.9	⬇
<b>Serie</b>	<b>95 ( 0x)</b>	
<b>Total</b>	<b>368 ( 0x)</b>	



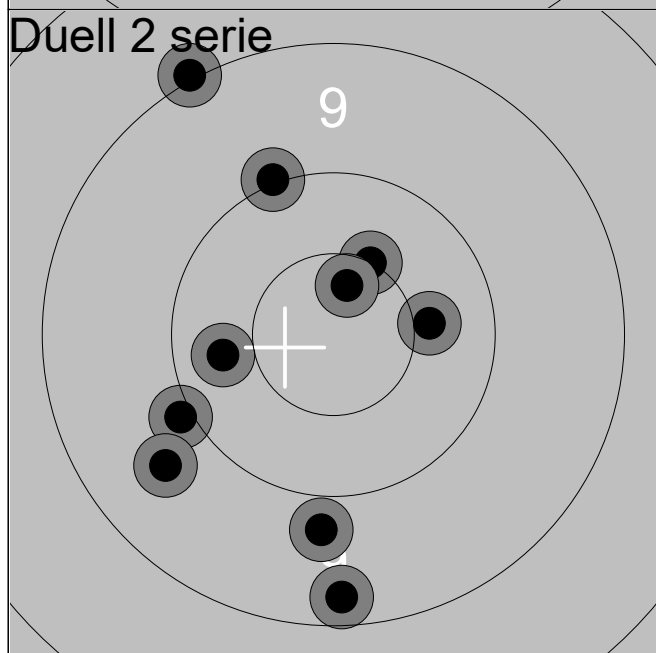
3.02s	9.2	⬇
2.48s	10.4	⬇
2.38s	9.1	⬅
2.41s	10.6x	↗
2.50s	7.1	⬇
2.21s	9.0	➔
2.76s	7.3	⬇
2.54s	9.9	↗
2.20s	8.6	⬇
2.35s	10.2	⬆
<b>Serie</b>	<b>88 ( 1x)</b>	
<b>Total</b>	<b>456 ( 1x)</b>	



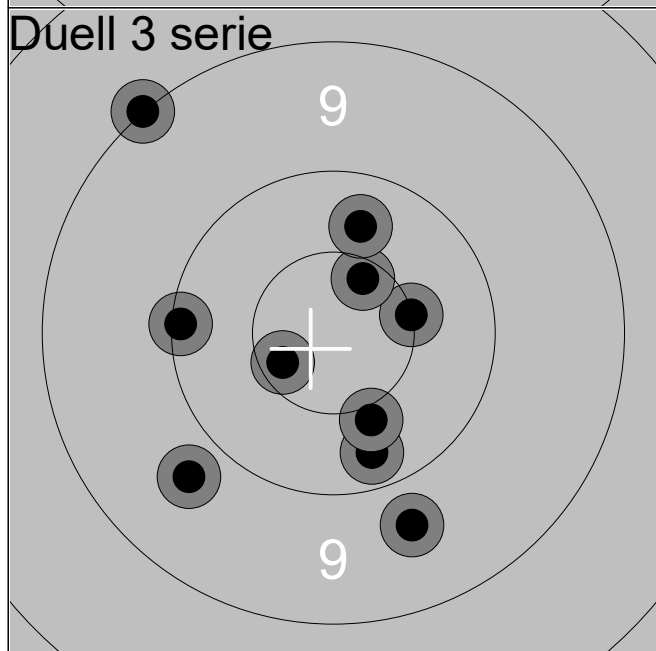
2.40s	9.4	➔
2.48s	9.4	➔
2.45s	9.1	⬇
2.49s	9.1	⬅
2.44s	9.0	➔
2.27s	10.5x	⬇
2.41s	9.7	⬇
2.49s	9.4	⬇
2.47s	9.0	➔
2.63s	10.5x	⬇
<b>Serie</b>	<b>92 ( 2x)</b>	
<b>Total</b>	<b>548 ( 3x)</b>	



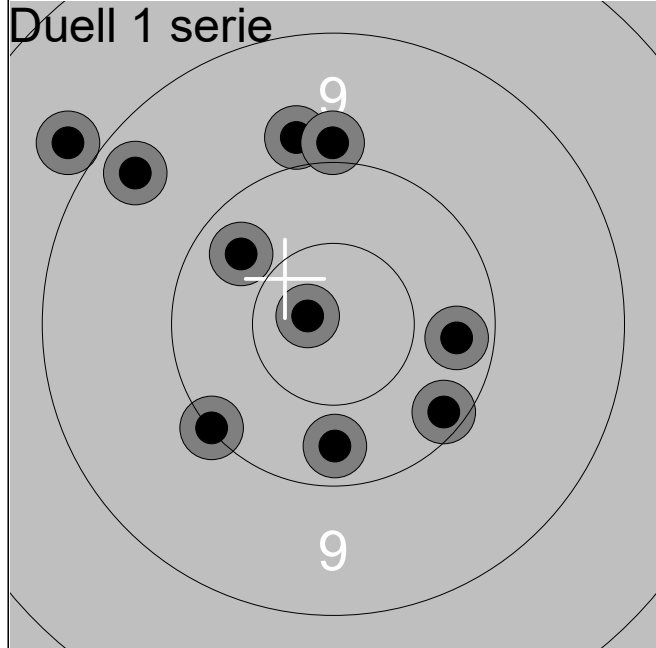
	2.40s	10.2			↗
	2.45s	10.1			↓
	2.41s	9.1			↓
	2.23s	10.0			↙
	2.20s	9.1			↘
	2.24s	10.3			↓
	2.31s	10.3			↑
	2.29s	9.9			↙
	2.16s	10.1			↗
	2.25s	7.9			↗
<b>Serie</b>					<b>94 ( 0x)</b>
<b>Total</b>					<b>366 ( 0x)</b>



	2.27s	9.8			↓
	2.18s	10.5x			↗
	2.33s	10.0			↗
	2.25s	10.0			↙
	2.22s	9.3			↓
	2.13s	10.3			↙
	2.25s	10.4x			→
	2.10s	9.7			↙
	2.04s	10.7x			↑
	2.00s	9.0			↗
<b>Serie</b>					<b>96 ( 3x)</b>
<b>Total</b>					<b>462 ( 3x)</b>



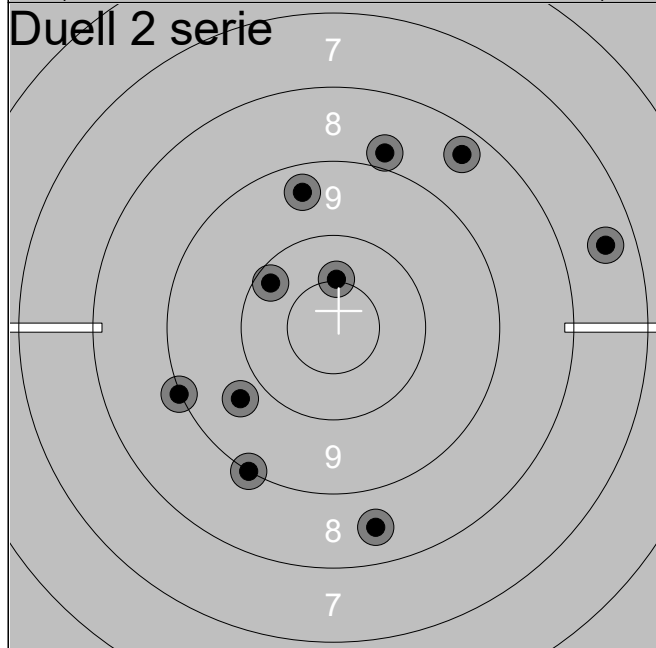
	2.22s	10.5x			→
	2.06s	9.1			↗
	2.13s	9.7			↘
	2.00s	10.1			↙
	2.10s	10.6x			↙
	2.19s	10.6x			↗
	2.29s	10.2			↓
	2.10s	10.4x			↓
	2.23s	9.7			↓
	2.06s	10.3			↑
<b>Serie</b>					<b>97 ( 4x)</b>
<b>Total</b>					<b>559 ( 7x)</b>



2.49s	10.3	↓
2.56s	10.3	↗
2.67s	8.8	↗
2.64s	9.4	↗
2.41s	9.8	↑
2.61s	10.0	↙
2.67s	10.8x	↖
2.77s	10.2	↘
2.38s	9.9	↑
2.60s	10.2	→

Serie 95 ( 1x)

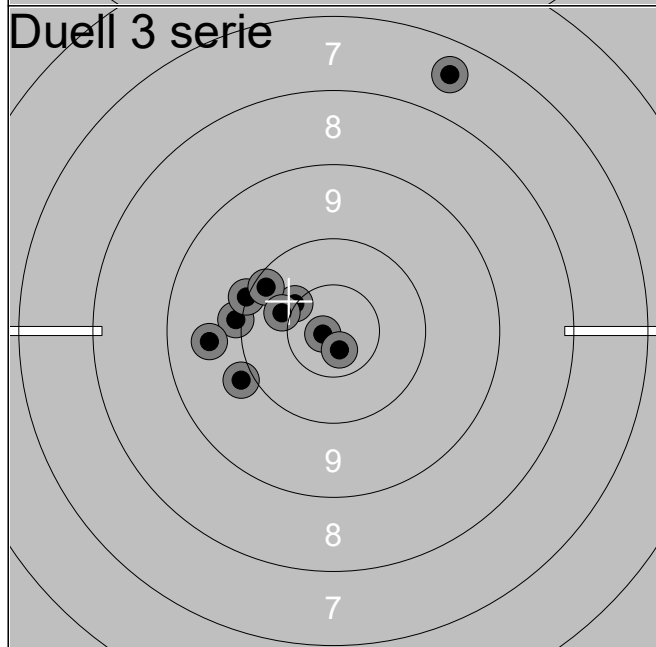
Total 367 ( 1x)



2.27s	9.7	↖
2.25s	10.2	↖
2.45s	8.4	↗
2.60s	7.5	→
2.68s	9.1	↖
2.54s	9.1	↙
2.54s	9.4	↑
2.50s	8.6	↓
2.34s	10.5x	↑
2.42s	8.9	↑

Serie 87 ( 1x)

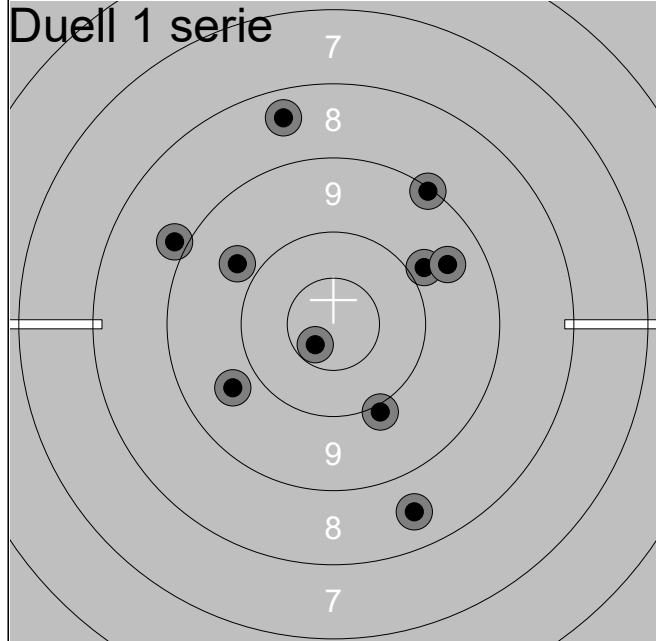
Total 454 ( 2x)



2.38s	10.0	←
2.67s	10.0	↖
2.29s	10.5x	↗
2.56s	9.9	↖
2.45s	7.5	↗
2.42s	10.8x	↖
2.50s	9.6	←
2.49s	10.2	↗
2.48s	10.4x	↖
2.57s	10.8x	↓

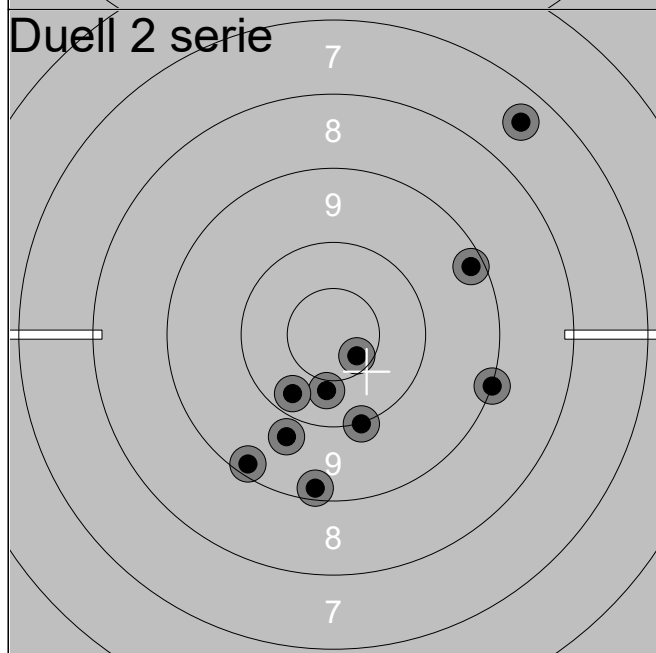
Serie 95 ( 4x)

Total 549 ( 6x)



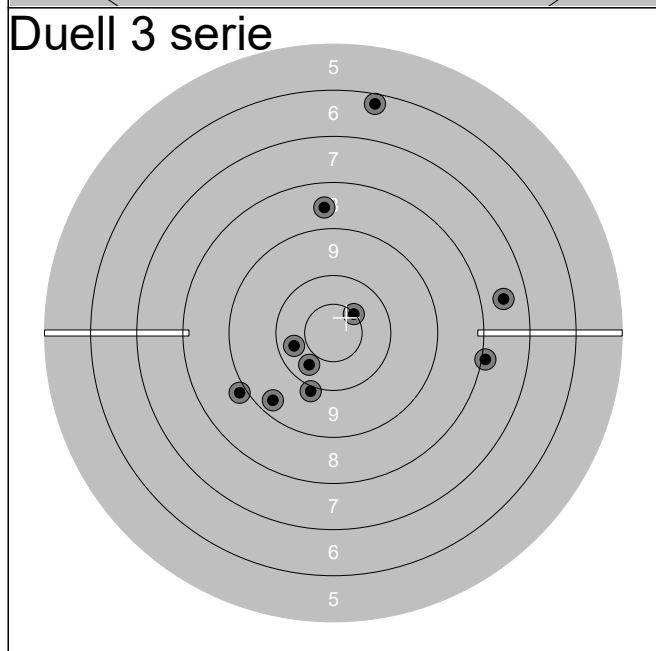
2.34s	9.8	↖
2.50s	10.0	↓
2.60s	8.4	↑
2.37s	9.9	↗
2.64s	10.7x	↙
2.75s	8.9	↖
2.58s	8.6	↓
2.50s	9.1	↗
2.50s	9.7	↙
2.39s	9.6	↗

<b>Serie</b>	<b>89 ( 1x)</b>
<b>Total</b>	<b>361 ( 1x)</b>



2.43s	7.5	↗
2.47s	9.8	↓
2.20s	10.4	↓
2.43s	10.6x	↙
2.38s	10.0	↓
2.46s	9.2	↗
2.56s	9.2	↓
2.42s	9.2	↓
2.41s	9.1	→
2.36s	10.2	↓

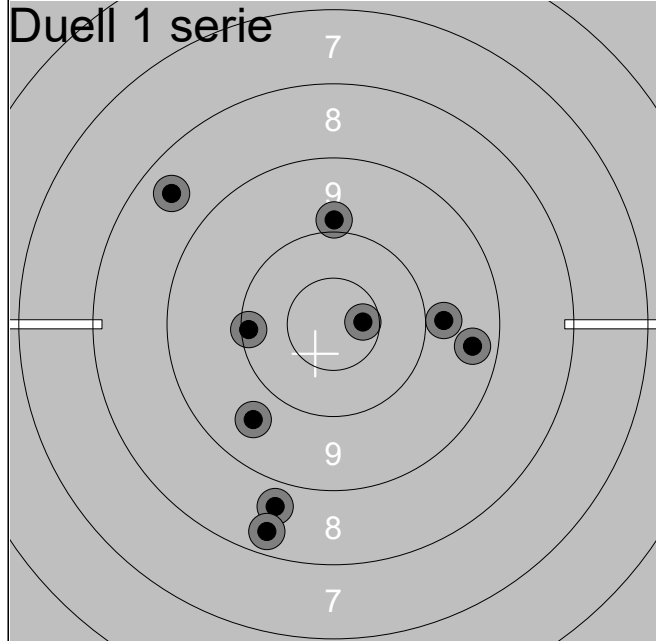
<b>Serie</b>	<b>92 ( 1x)</b>
<b>Total</b>	<b>453 ( 2x)</b>



2.38s	8.6	↑
2.61s	7.6	→
2.62s	6.3	↑
2.18s	10.5x	↗
2.43s	10.3	↙
2.44s	10.0	↓
2.52s	8.9	↙
2.31s	9.4	↙
2.38s	10.3	←
2.48s	8.0	→

<b>Serie</b>	<b>86 ( 1x)</b>
<b>Total</b>	<b>539 ( 3x)</b>

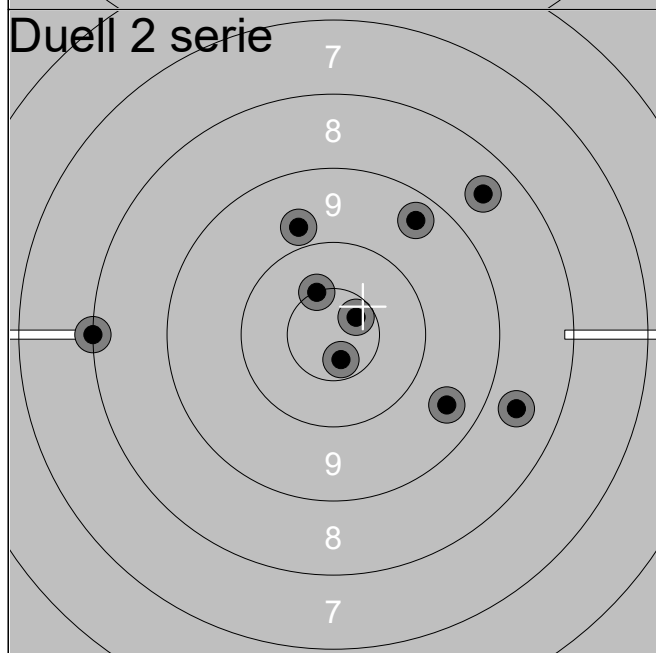




2.50s	8.7	↓
2.43s	10.1	←
2.43s	9.9	↑
2.45s	8.4	↓
2.69s	9.6	↙
2.46s	8.5	↖
2.35s	10.7x	→
2.50s	☐	
2.25s	9.4	→
2.46s	9.8	→

Serie	80 ( 1x)
-------	----------

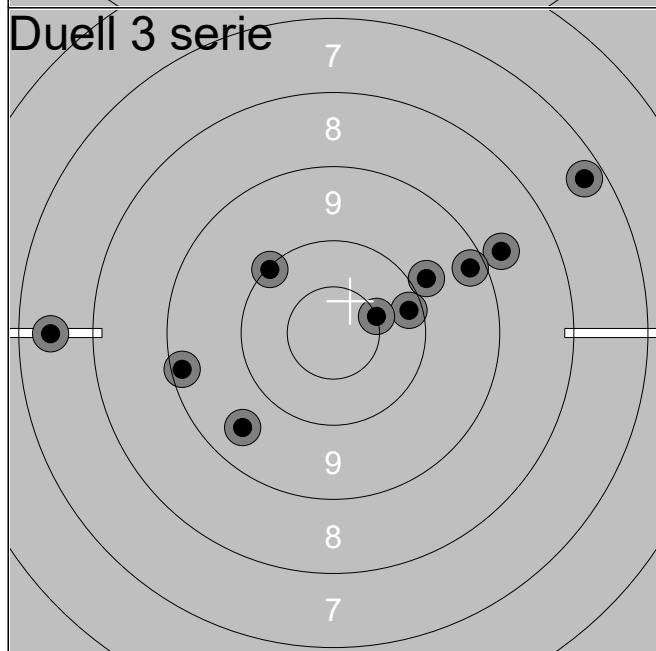
Total	352 ( 1x)
-------	-----------



2.25s	10.5x	↑
2.50s	☐	
2.14s	8.1	←
2.29s	10.7x	↓
2.24s	9.5	↘
2.54s	9.8	↑
2.50s	8.7	→
2.40s	10.7x	↗
2.61s	8.5	↗
2.52s	9.4	↗

Serie	81 ( 3x)
-------	----------

Total	433 ( 4x)
-------	-----------

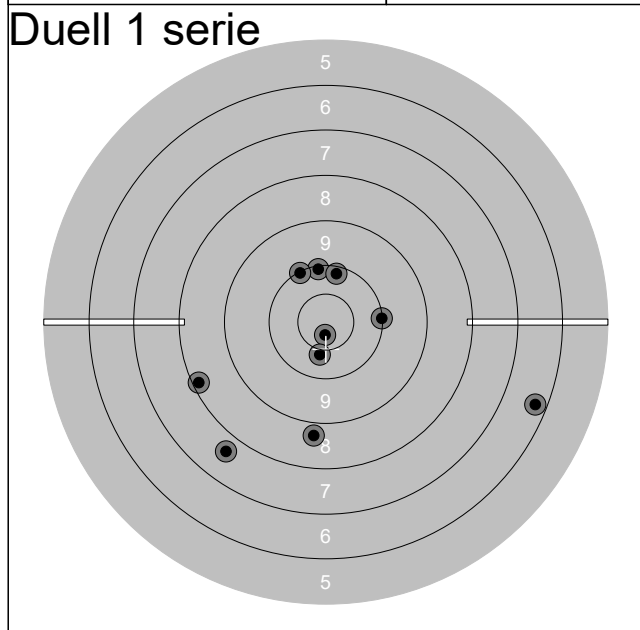


2.57s	10.1	↖
2.40s	9.5	↙
2.17s	8.8	↗
2.27s	9.3	↗
2.29s	10.2	→
2.27s	7.5	←
2.09s	9.2	←
2.25s	9.9	↗
2.27s	7.3	↗
2.29s	10.5x	→

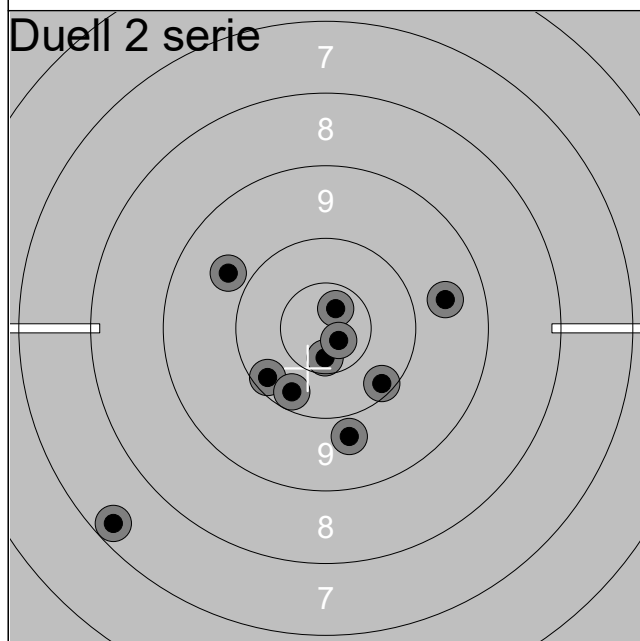
Serie	88 ( 1x)
-------	----------

Total	521 ( 5x)
-------	-----------

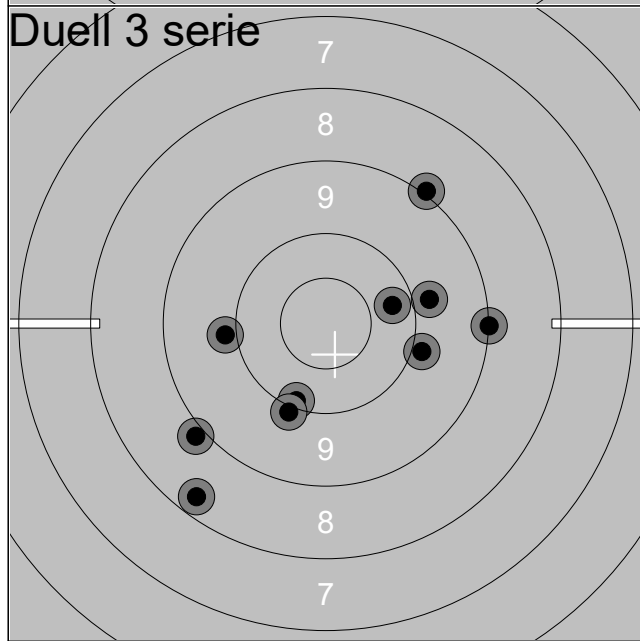
Lag <b>2</b>	Skive <b>26</b>	<b>Tor Jonassen</b>	
Grovpistol Duell		Sandnes Pk	V55
25.06.2019		NM bane 2019	NM Pistol 2019
DSQ		8.4.2	



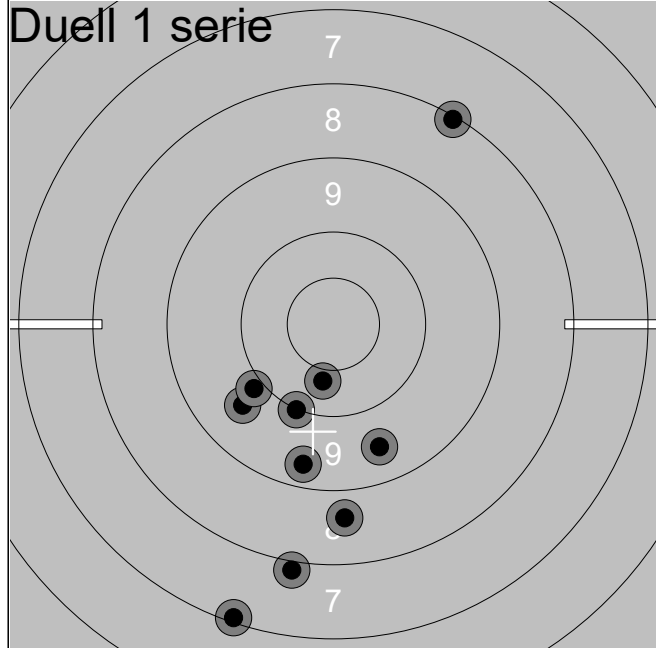
2.27s	10.1	↑
2.17s	10.7x	↓
2.27s	8.8	↓
2.49s	6.3	→
2.52s	8.2	←
2.44s	10.1	↑
2.38s	10.4x	↓
2.29s	7.7	↘
2.08s	10.0	→
2.12s	10.2	↑
<b>Serie</b>		<b>89 ( 2x)</b>
<b>Total</b>		<b>361 ( 2x)</b>



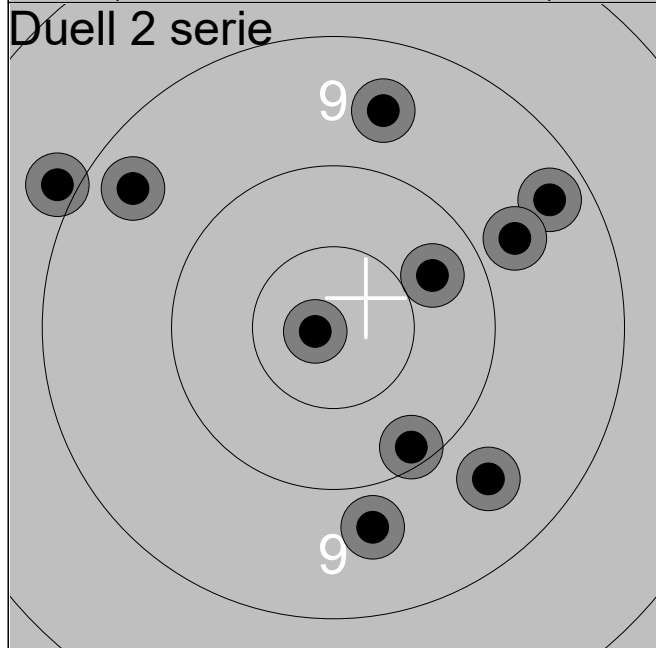
2.49s	10.7x	↑
2.31s	10.2	←
2.27s	10.2	↓
2.18s	9.8	↖
2.06s	10.6x	↓
2.49s	7.3	←
2.23s	10.8x	↘
2.60s	9.6	→
2.29s	10.2	↘
2.40s	9.8	↓
<b>Serie</b>		<b>94 ( 3x)</b>
<b>Total</b>		<b>455 ( 5x)</b>



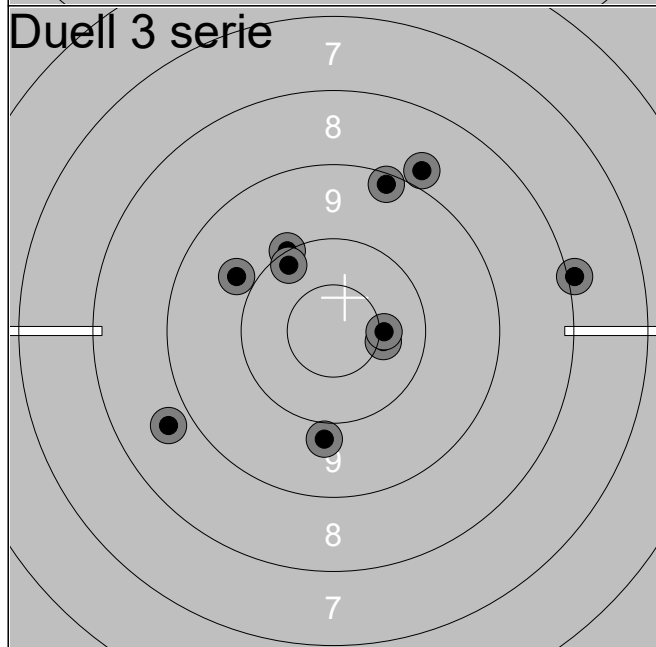
2.22s	9.8	→
2.66s	9.1	→
2.75s	8.9	←
2.47s	8.3	↓
2.02s	10.1	↓
2.31s	9.9	←
2.43s	9.9	→
2.39s	10.3	→
2.04s	10.0	↓
2.33s	9.0	↑
<b>Serie</b>		<b>91 ( 0x)</b>
<b>Total</b>		<b>546 ( 5x)</b>



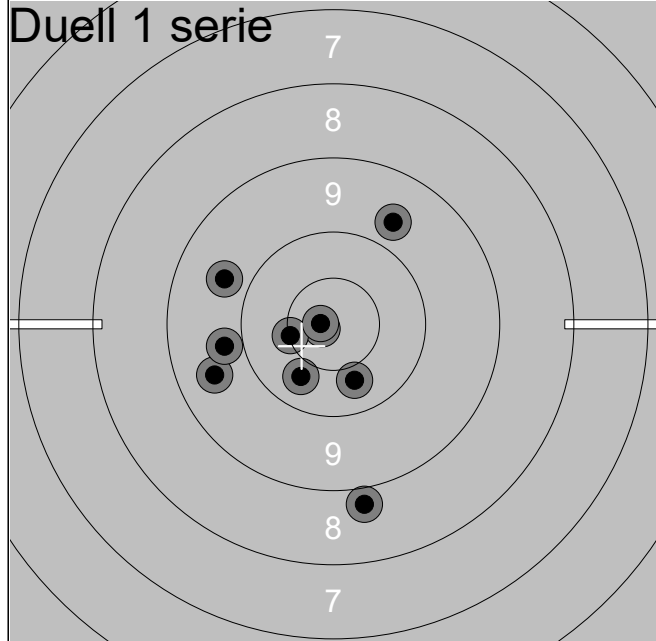
2.39s	7.1	↓
2.47s	8.1	↗
2.56s	10.4	↓
2.48s	9.4	↓
2.42s	9.7	↖
2.63s	9.5	↓
2.71s	8.0	↓
2.62s	8.7	↓
2.94s	9.9	↖
2.58s	10.0	↓
<b>Serie</b>		<b>87 ( 0x)</b>
<b>Total</b>		<b>358 ( 0x)</b>



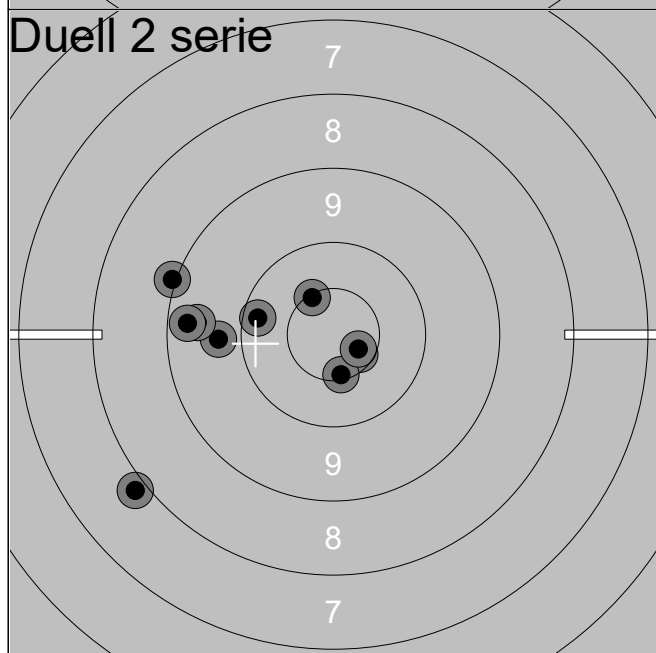
2.64s	9.6	↘
2.33s	10.8x	←
2.15s	9.8	↓
2.38s	10.1	↘
2.52s	8.9	↖
2.44s	10.3	↗
2.29s	9.4	↖
2.39s	9.4	↗
2.78s	9.8	↗
2.39s	9.6	↑
<b>Serie</b>		<b>92 ( 1x)</b>
<b>Total</b>		<b>450 ( 1x)</b>



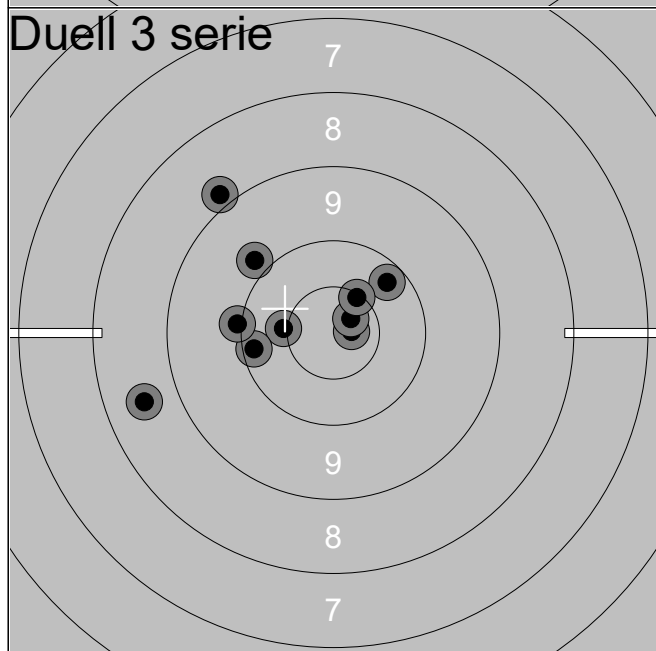
2.11s	10.4x	→
2.24s	10.0	↖
2.23s	9.8	↓
2.31s	10.2	↖
2.20s	8.8	↗
2.33s	9.8	↖
1.84s	9.2	↑
2.61s	8.0	→
2.25s	10.4x	→
2.37s	8.8	↖
<b>Serie</b>		<b>91 ( 2x)</b>
<b>Total</b>		<b>541 ( 3x)</b>



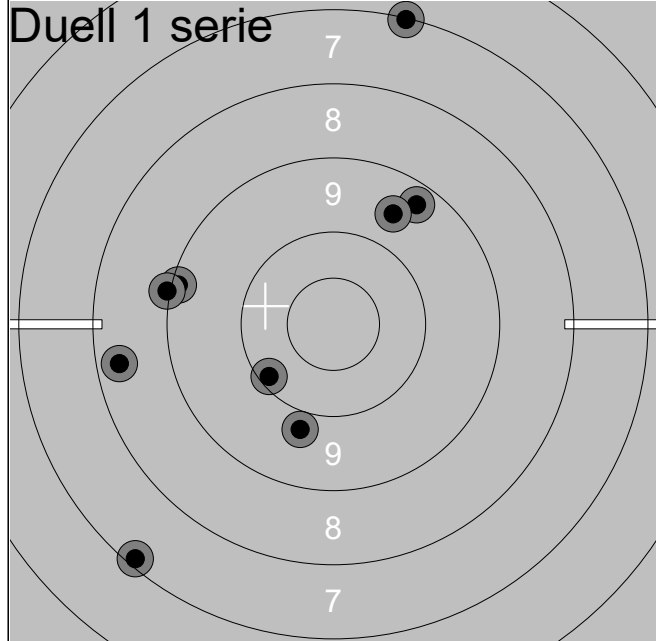
2.24s	10.8x	←
2.59s	10.3	↓
2.59s	9.7	↗
2.45s	10.5x	←
2.47s	8.8	↓
2.46s	9.6	←
2.42s	9.7	↖
2.22s	10.4	↓
2.54s	9.8	←
2.45s	10.8x	←
<b>Serie</b>	<b>94 ( 3x)</b>	
<b>Total</b>	<b>365 ( 3x)</b>	



2.39s	10.6x	↘
2.35s	7.9	↖
2.48s	9.8	←
2.57s	10.2	←
2.39s	10.5x	↓
2.40s	10.7x	↘
2.39s	9.5	←
2.40s	9.0	↖
2.23s	9.3	←
2.40s	10.5x	↗
<b>Serie</b>	<b>93 ( 4x)</b>	
<b>Total</b>	<b>458 ( 7x)</b>	



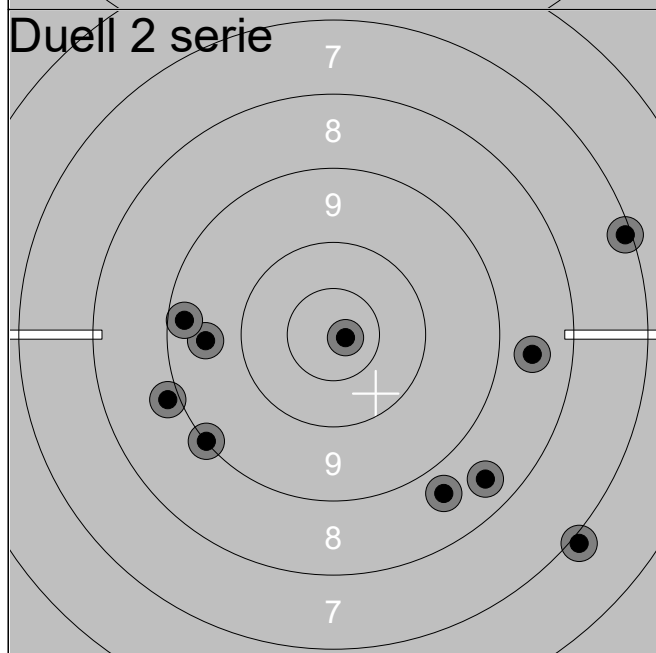
2.45s	10.8x	→
2.36s	10.7x	↗
2.48s	10.5x	←
2.20s	8.6	←
2.40s	10.2	←
2.44s	10.0	←
2.54s	10.2	↗
2.31s	10.5x	↗
2.50s	8.9	↗
2.54s	9.9	↖
<b>Serie</b>	<b>95 ( 4x)</b>	
<b>Total</b>	<b>553 (11x)</b>	



2.34s	9.8	↓
2.31s	9.2	←
2.68s	9.4	↗
2.15s	9.0	←
2.50s	9.6	↗
2.16s	☐	
2.85s	7.2	↘
2.54s	8.4	←
2.23s	10.1	↘
2.36s	7.1	↑

Serie 77 ( 0x)

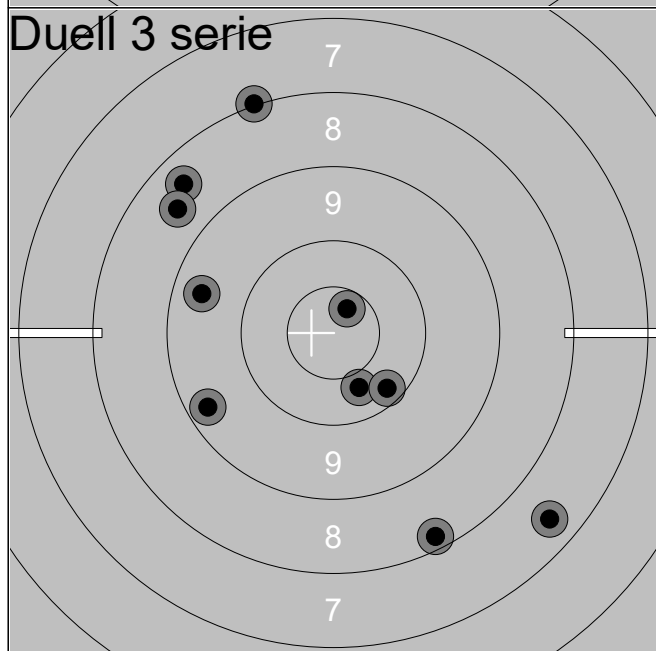
Total 347 ( 0x)



2.11s	8.6	→
2.81s	8.7	↘
2.25s	8.5	↘
2.70s	9.6	←
2.58s	7.0	↘
2.25s	8.9	←
2.54s	10.8x	→
2.71s	7.2	→
2.18s	9.3	←
2.56s	9.1	↘

Serie 83 ( 1x)

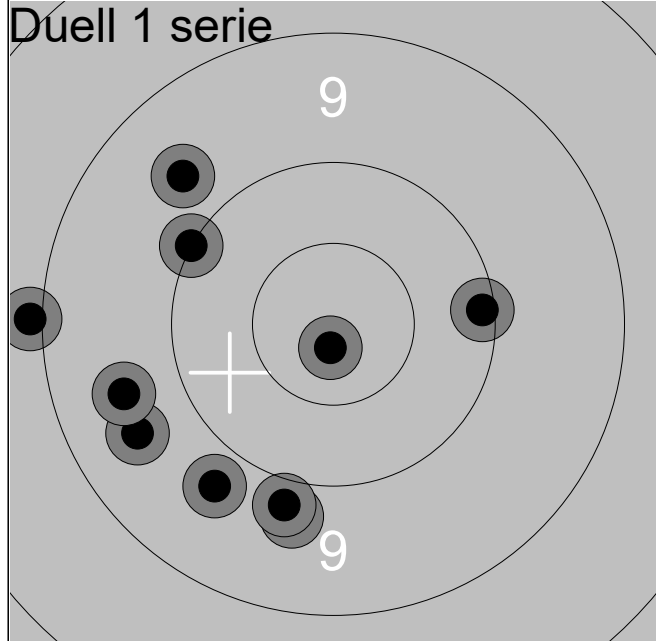
Total 430 ( 1x)



2.29s	8.5	↗
2.43s	10.4	↘
2.24s	10.2	↘
2.18s	8.6	↗
1.97s	9.5	←
2.17s	10.7x	↗
2.57s	8.0	↗
2.37s	8.2	↘
2.39s	7.5	↘
2.39s	9.3	←

Serie 87 ( 1x)

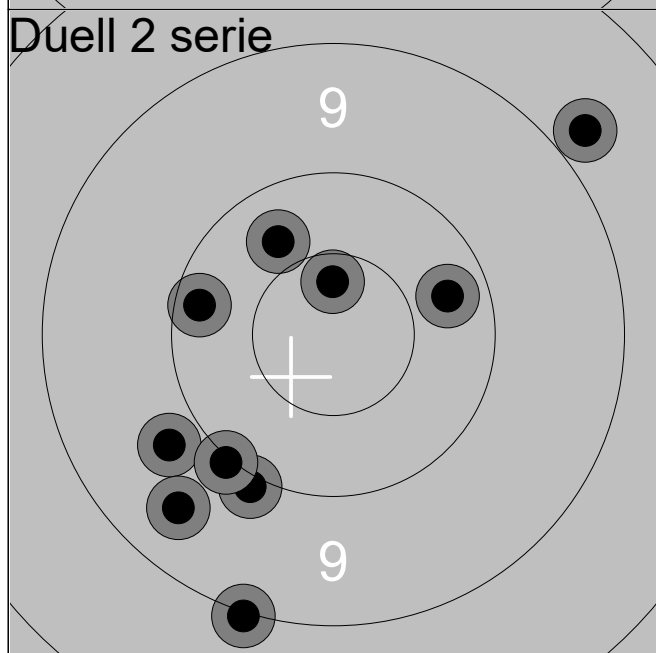
Total 517 ( 2x)



2.71s	9.8	↓
2.58s	9.0	←
2.92s	9.7	↗
2.56s	10.1	→
2.41s	9.6	←
2.38s	10.0	↖
2.59s	9.9	↓
2.48s	9.6	←
2.52s	10.8x	↓
2.34s	9.8	↙

<b>Serie</b>	<b>93 ( 1x)</b>
--------------	-----------------

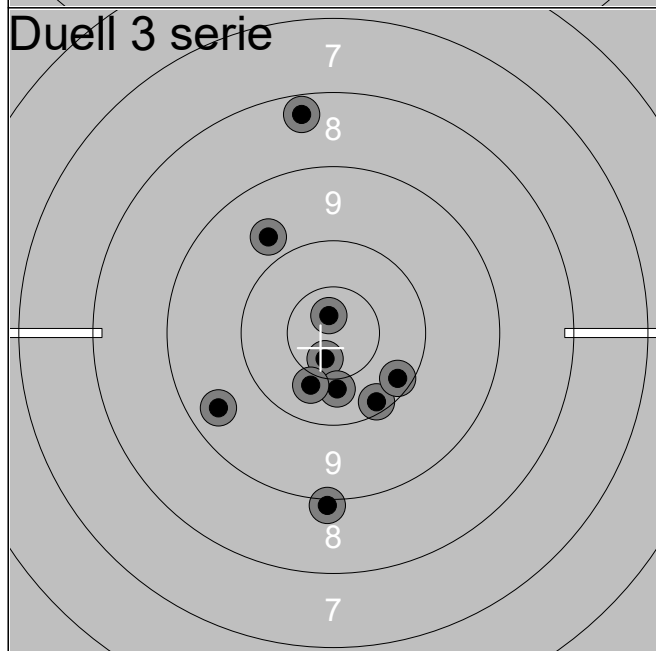
<b>Total</b>	<b>363 ( 1x)</b>
--------------	------------------



2.22s	10.3	↖
2.29s	9.8	←
2.22s	10.2	←
2.29s	9.0	↓
2.63s	10.0	↙
2.02s	8.8	↗
2.15s	10.3	→
2.59s	10.0	↙
2.16s	10.7x	↑
2.22s	9.5	↙

<b>Serie</b>	<b>95 ( 1x)</b>
--------------	-----------------

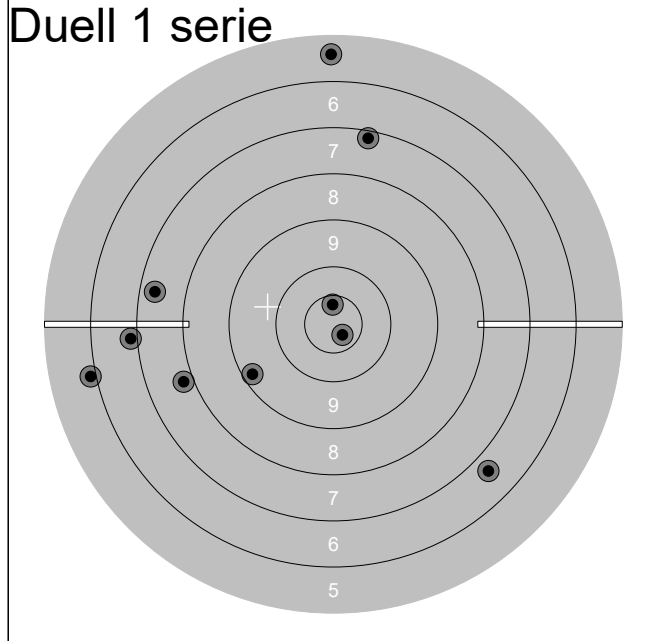
<b>Total</b>	<b>458 ( 2x)</b>
--------------	------------------



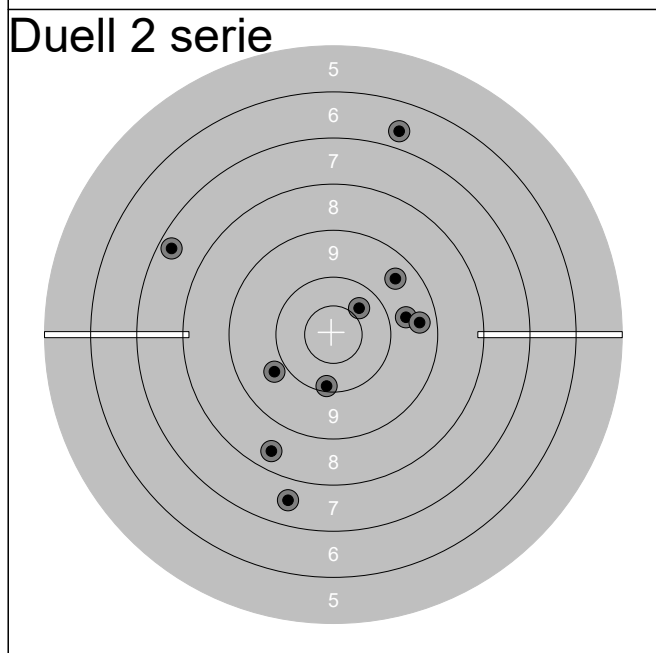
2.36s	9.5	↙
2.37s	10.7x	↓
2.47s	9.0	↓
2.50s	10.1	↙
2.54s	10.4	↓
2.44s	8.3	↑
2.41s	10.8x	↑
2.44s	10.4	↙
2.49s	9.7	↗
2.41s	10.2	↘

<b>Serie</b>	<b>95 ( 2x)</b>
--------------	-----------------

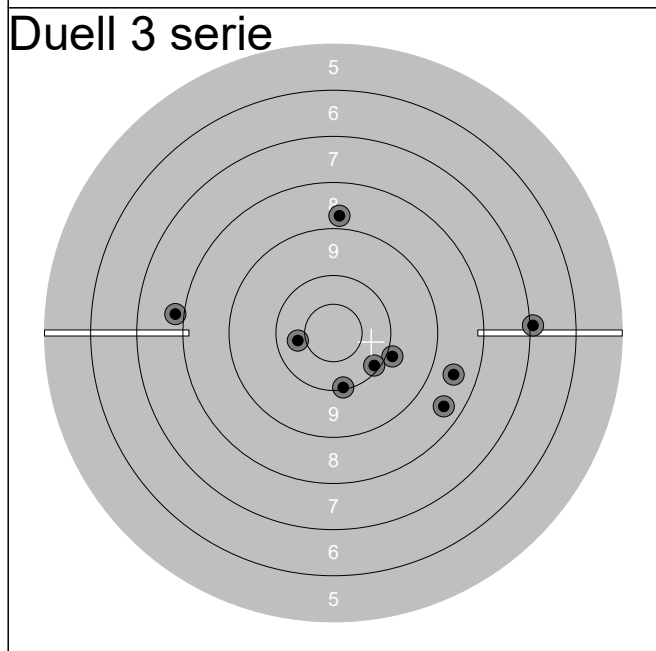
<b>Total</b>	<b>553 ( 4x)</b>
--------------	------------------



2.72s	10.6x	↑
1.95s	6.7	↘
2.20s	5.9	←
2.13s	7.2	↑
2.40s	7.9	←
2.33s	6.9	←
2.41s	10.7x	↘
2.36s	5.5	↑
2.21s	7.4	←
2.52s	9.3	↙
<b>Serie</b>		<b>72 ( 2x)</b>
<b>Total</b>		<b>324 ( 2x)</b>



2.23s	10.4	↗
2.06s	6.7	↑
2.21s	8.5	↘
2.08s	10.1	↓
2.21s	9.8	←
2.00s	7.6	↓
2.39s	9.7	→
2.33s	9.5	↗
1.99s	7.4	←
2.12s	9.4	→
<b>Serie</b>		<b>84 ( 0x)</b>
<b>Total</b>		<b>408 ( 2x)</b>



2.24s	8.4	↘
2.18s	10.4	←
2.12s	7.9	←
2.02s	9.9	↘
2.06s	8.6	↘
	--	
2.25s	8.8	↑
2.06s	10.1	↘
2.23s	10.1	↓
1.92s	7.0	→
<b>Serie</b>		<b>77 ( 0x)</b>
<b>Total</b>		<b>485 ( 2x)</b>

Lag <b>2</b>	Skive <b>32</b>	<b>Henning Harry Thorsen</b>	
Grovpistol Duell		Hafersfjord Pk	A
25.06.2019		NM bane 2019	NM Pistol 2019
DNF			

**Duell 3 serie**



2.41s	☒		
--			
--			
--			
--			
		Serie	0 ( 0x)
		Total	246 ( 0x)