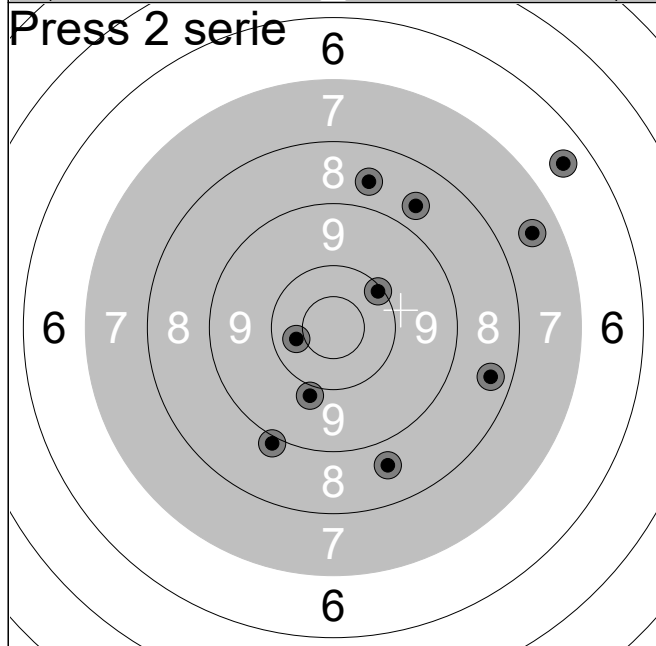


	17.8s	9.3	↗
	46.6s	9.6	↑
	1:39m	10.0	↘
	2:37m	9.3	↗
	3:52m	10.4	→
	20.3s	8.8	↘
	48.6s	10.2	↗
	1:22m	9.5	↓
	1:53m	9.9	↘
	3:15m	9.1	→

Serie 92 ( 0x)

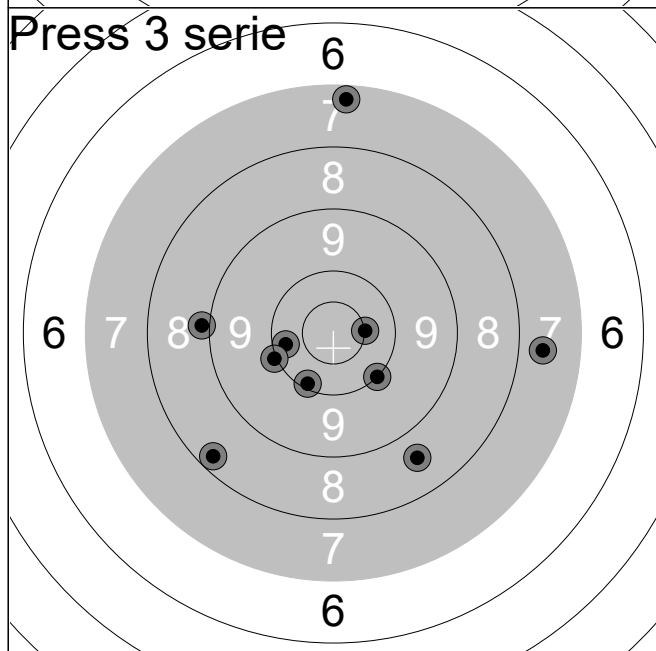
Total 92 ( 0x)



	16.8s	8.7	↓
	45.9s	10.4	←
	2:03m	6.5	↗
	2:34m	8.7	↗
	3:52m	7.5	↗
	38.3s	9.9	↓
	1:05m	8.9	↓
	1:35m	10.1	↗
	2:07m	8.6	↑
	2:41m	8.4	→

Serie 82 ( 0x)

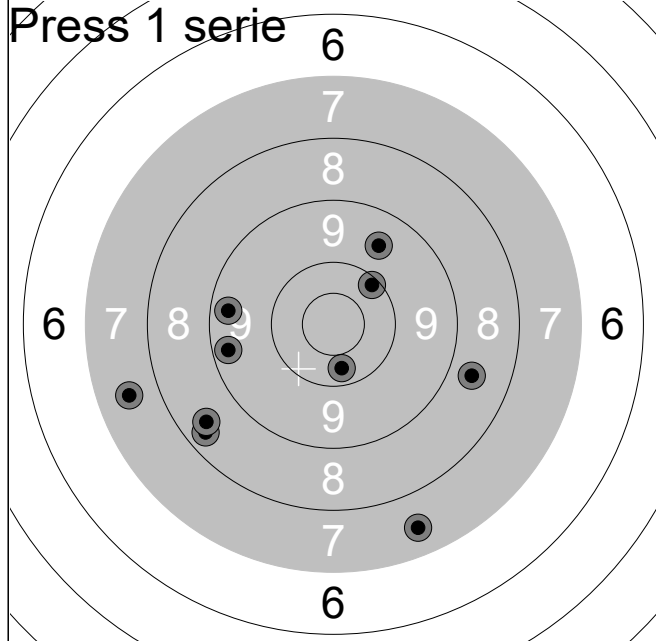
Total 174 ( 0x)



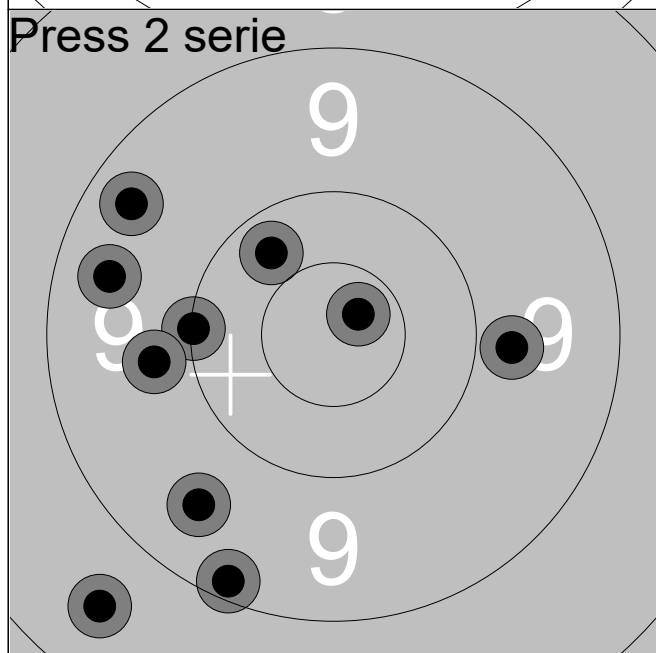
	13.7s	8.9	←
	45.7s	7.3	↑
	1:14m	10.2	←
	1:42m	7.7	→
	2:37m	10.5x	→
	13.4s	10.0	↘
	42.8s	8.6	↘
	1:15m	10.0	←
	1:45m	10.1	↘
	2:13m	8.3	↘

Serie 88 ( 1x)

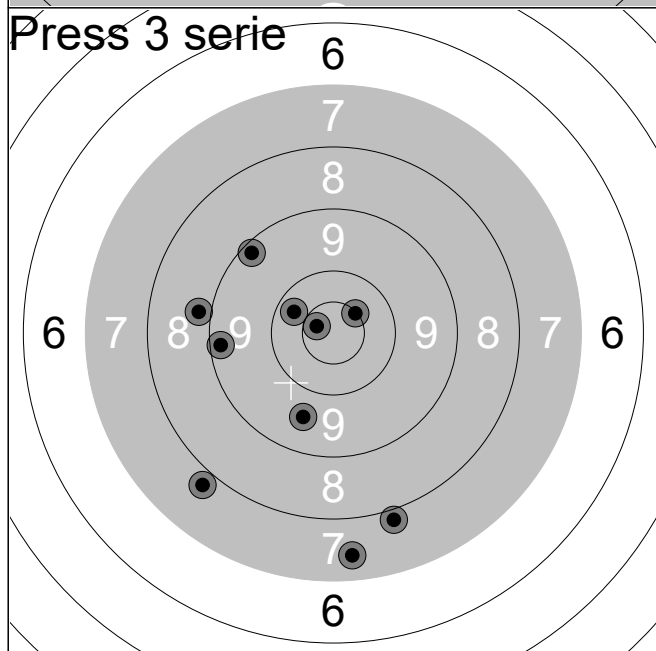
Total 262 ( 1x)



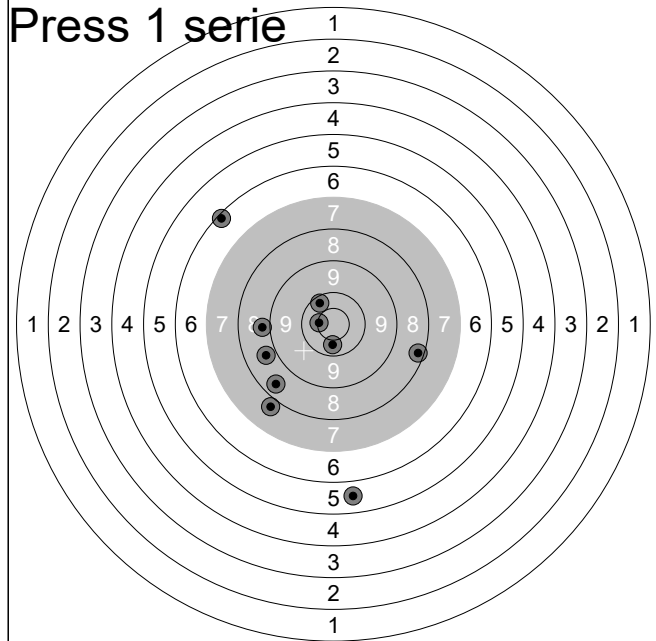
12.0s	9.6	↗
37.2s	9.4	←
1:06m	7.6	←
1:30m	10.1	↗
2:23m	8.4	↙
13.9s	10.3	↓
36.9s	9.3	←
1:07m	7.5	↓
1:34m	8.5	↙
1:58m	8.7	→
<b>Serie</b>	<b>85 ( 0x)</b>	
<b>Total</b>	<b>85 ( 0x)</b>	



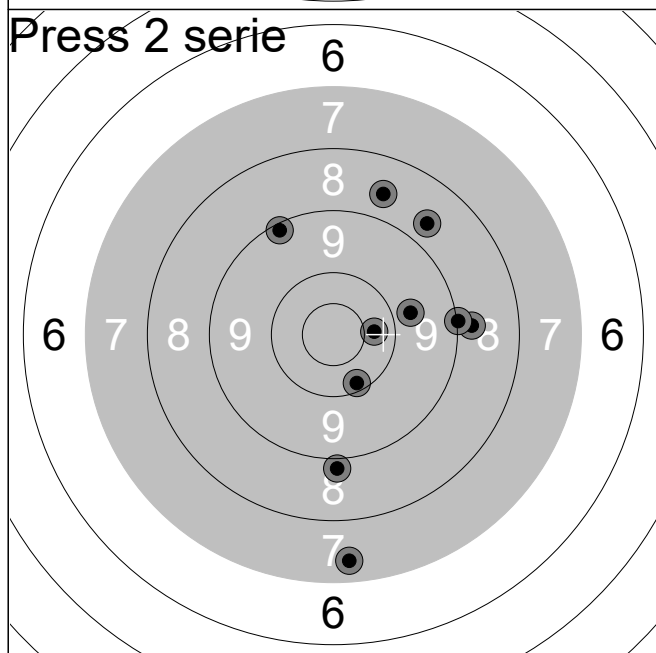
11.8s	9.8	→
28.9s	10.1	←
45.9s	8.6	↙
1:08m	9.4	↗
1:31m	10.7x	↗
14.2s	10.3	↗
38.4s	9.4	←
1:07m	9.8	←
1:42m	9.5	↙
2:15m	9.2	↙
<b>Serie</b>	<b>92 ( 1x)</b>	
<b>Total</b>	<b>177 ( 1x)</b>	



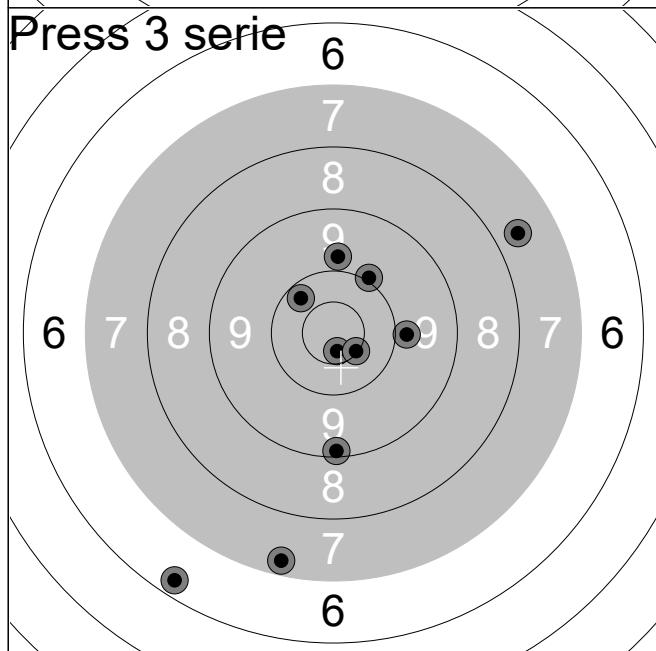
15.2s	9.2	↗
47.2s	7.9	↓
1:09m	8.9	←
1:36m	9.2	←
2:09m	10.5x	↗
12.1s	10.3	↙
31.0s	7.8	↙
53.2s	7.5	↓
1:13m	9.6	↓
1:37m	10.7x	←
<b>Serie</b>	<b>86 ( 2x)</b>	
<b>Total</b>	<b>263 ( 3x)</b>	



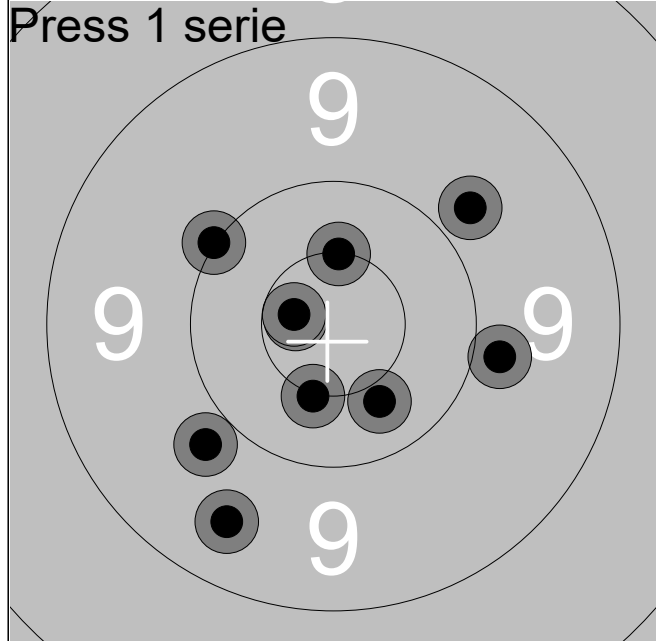
26.6s	10.5x	←
53.1s	8.8	←
1:27m	10.2	↗
1:51m	8.7	←
2:59m	7.8	↘
23.8s	8.2	→
59.7s	5.6	↓
2:08m	8.5	↘
2:32m	10.4	↓
3:34m	6.2	↖
<b>Serie</b>		<b>80 ( 1x)</b>
<b>Total</b>		<b>80 ( 1x)</b>



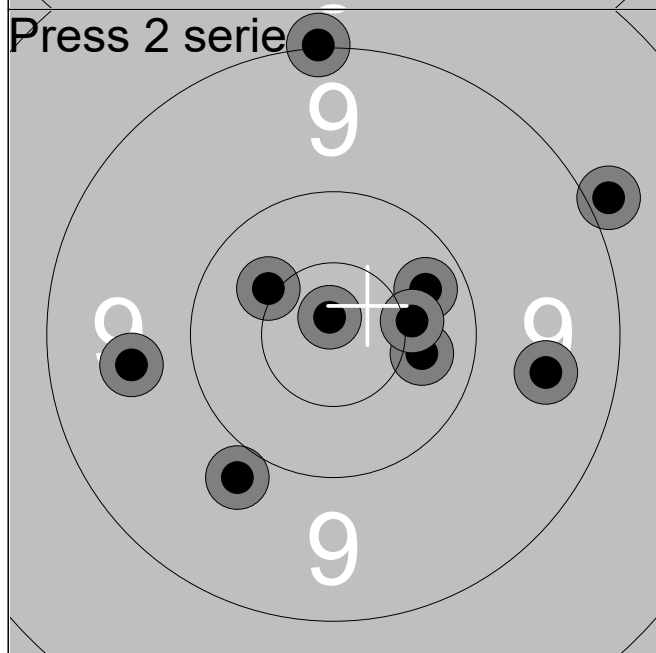
12.7s	9.8	→
18.7s	10.2	↘
1:01m	9.2	↗
1:49m	8.8	→
2:20m	7.4	↓
14.7s	8.7	↗
19.0s	8.7	↗
59.8s	8.9	↓
1:30m	10.4	→
2:07m	9.0	→
<b>Serie</b>		<b>86 ( 0x)</b>
<b>Total</b>		<b>166 ( 1x)</b>



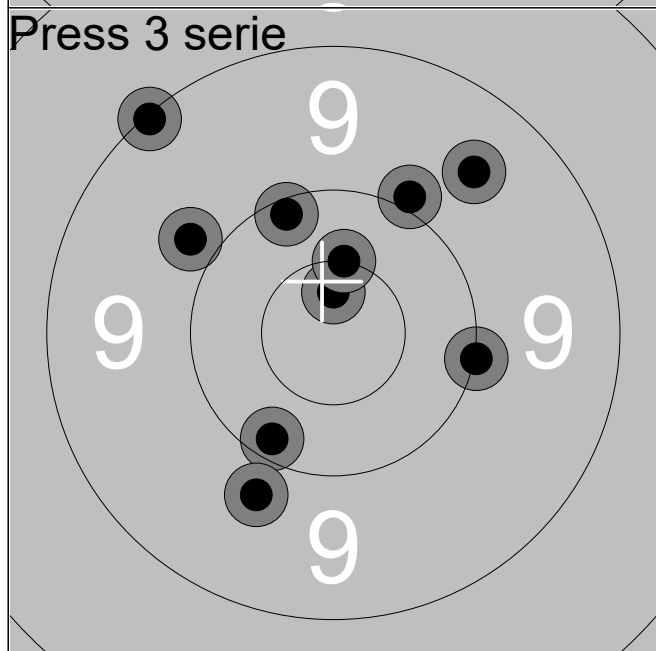
13.4s	9.9	→
17.9s	10.7x	↓
51.1s	9.8	↑
55.9s	7.3	↓
2:25m	6.3	↘
11.6s	7.7	↗
15.8s	10.3	↖
1:09m	9.2	↓
1:41m	10.0	↗
3:20m	10.5x	↘
<b>Serie</b>		<b>87 ( 2x)</b>
<b>Total</b>		<b>253 ( 3x)</b>



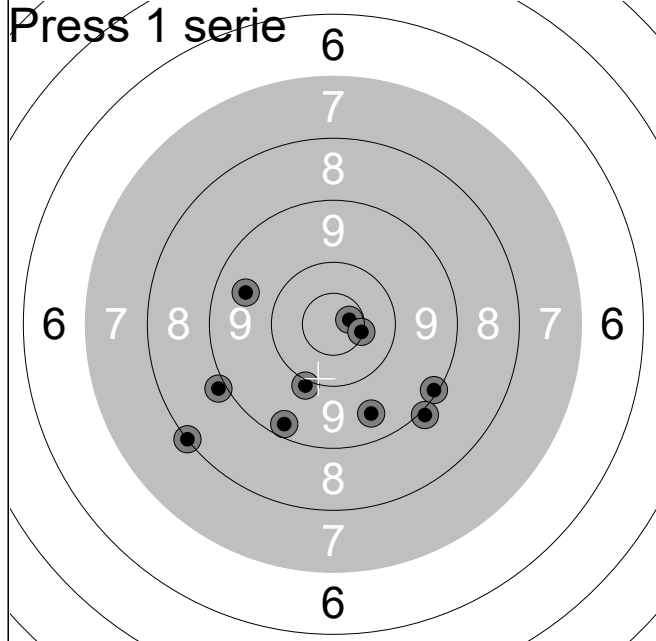
20.3s	9.9	→
1:05m	9.8	↗
1:54m	10.4	↓
3:47m	10.5x	↓
4:25m	10.5x	↑
23.6s	9.8	↙
1:04m	10.7x	←
1:47m	10.7x	←
2:24m	9.5	↘
3:54m	10.0	↖
<b>Serie</b>	<b>96 ( 4x)</b>	
<b>Total</b>	<b>96 ( 4x)</b>	



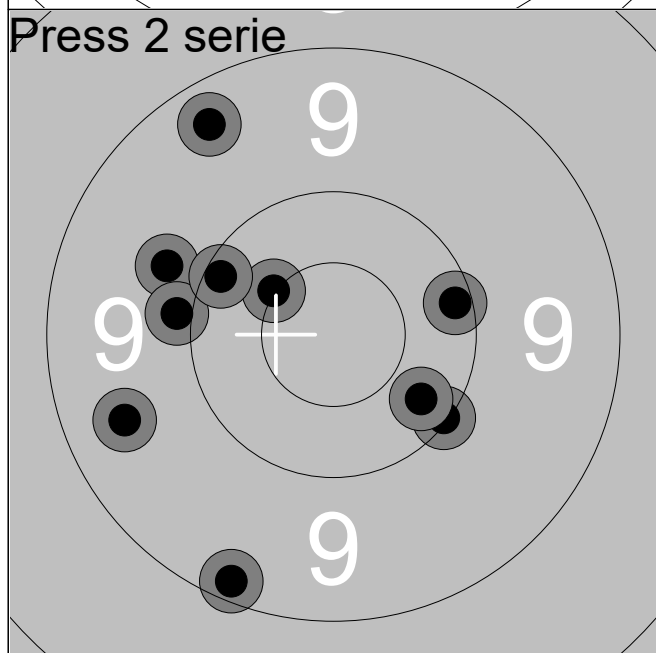
24.7s	10.4	→
1:40m	10.8x	↑
2:11m	9.0	↑
2:50m	9.6	←
4:11m	9.9	↘
26.2s	10.4x	↖
1:02m	10.3	↗
1:41m	8.9	↗
2:21m	9.6	→
3:03m	10.4x	→
<b>Serie</b>	<b>94 ( 3x)</b>	
<b>Total</b>	<b>190 ( 7x)</b>	



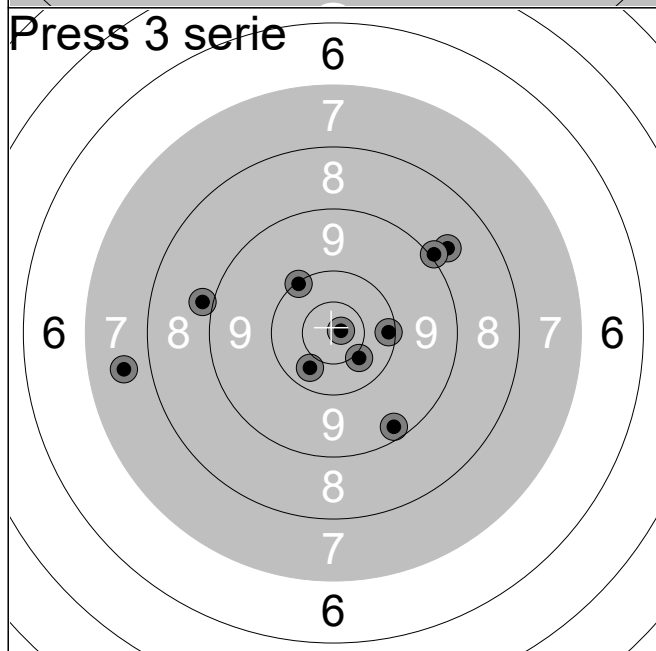
29.7s	10.2	↘
1:11m	9.8	↘
1:55m	9.6	↗
2:33m	10.7x	↑
3:10m	9.1	↖
26.1s	10.1	↑
1:48m	10.0	↗
2:26m	10.5x	↑
3:42m	9.9	↖
4:17m	10.0	→
<b>Serie</b>	<b>96 ( 2x)</b>	
<b>Total</b>	<b>286 ( 9x)</b>	



20.8s	9.1	↘
1:16m	9.6	←
1:48m	10.7x	→
2:50m	8.9	←
3:23m	9.0	↘
14.7s	10.5x	→
1:06m	8.1	←
1:36m	9.3	↘
2:12m	9.5	↘
2:50m	10.0	↘
<b>Serie</b>		<b>91 ( 2x)</b>
<b>Total</b>		<b>91 ( 2x)</b>



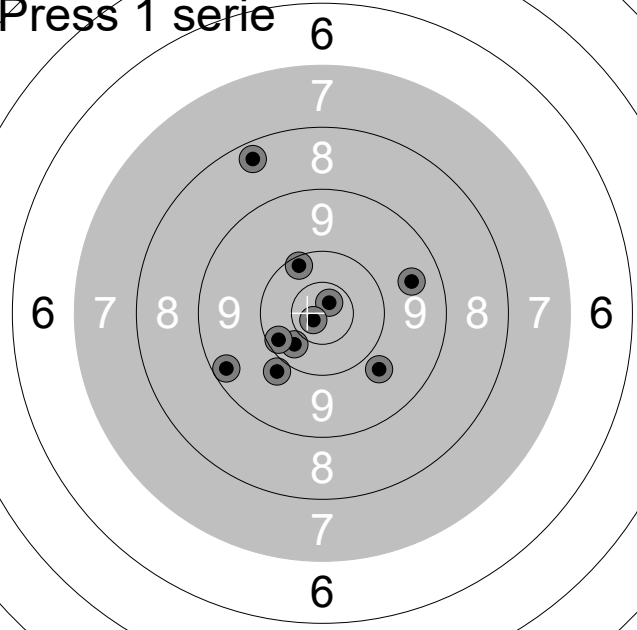
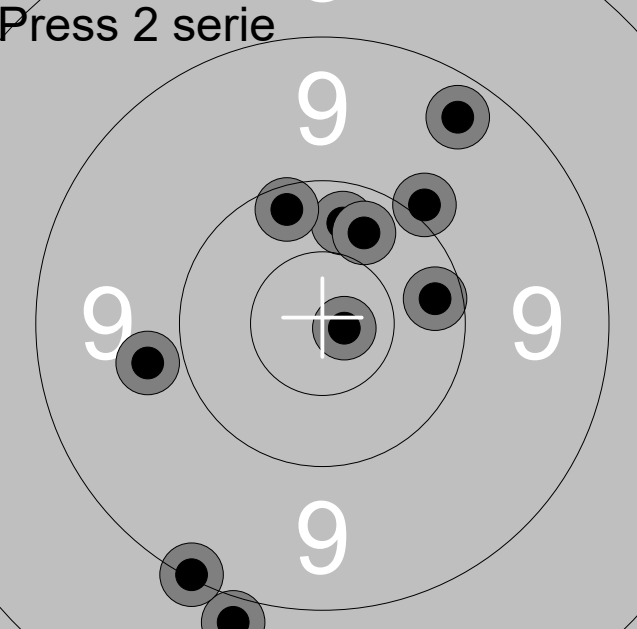
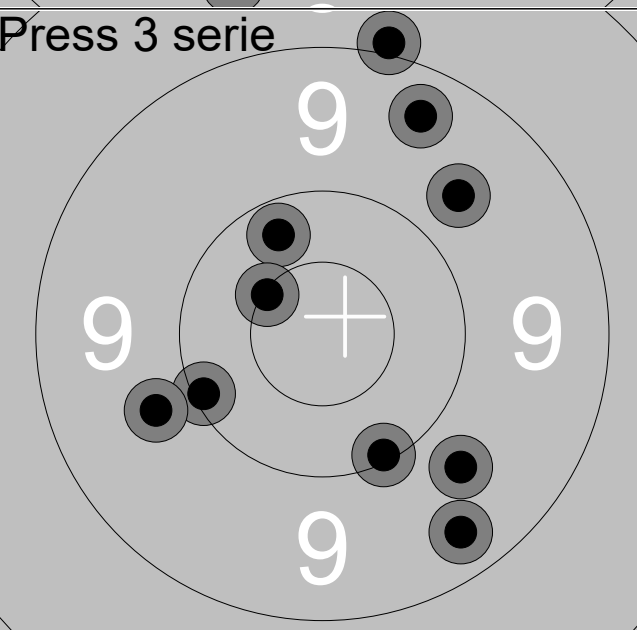
19.1s	10.1	↘
1:18m	10.2	→
1:52m	9.2	↘
2:29m	9.8	←
3:04m	9.5	←
18.8s	9.4	↗
50.2s	10.0	←
1:28m	10.5x	↗
2:36m	10.3	↘
4:10m	10.2	↗
<b>Serie</b>		<b>96 ( 1x)</b>
<b>Total</b>		<b>187 ( 3x)</b>

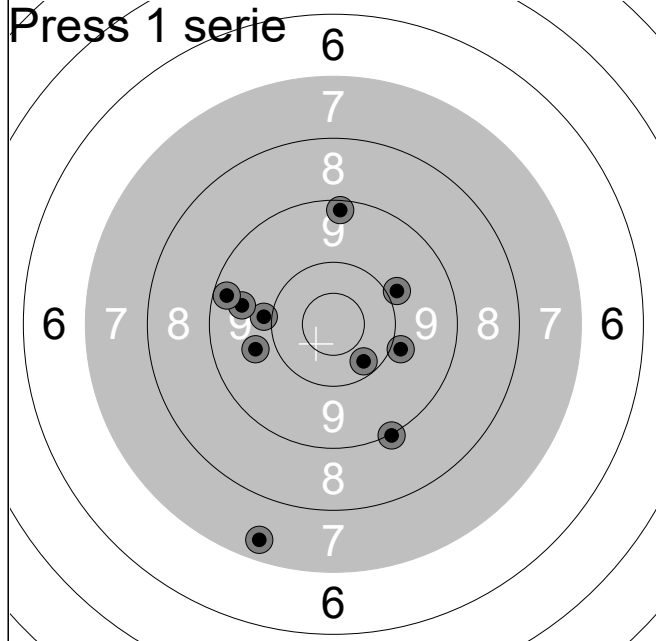


25.4s	10.3	↘
59.4s	8.8	↗
2:04m	10.1	→
2:33m	9.3	↘
3:15m	7.6	←
22.1s	8.9	←
1:00m	10.1	↗
2:04m	10.8x	→
2:35m	9.0	↗
3:43m	10.4x	↘
<b>Serie</b>		<b>91 ( 2x)</b>
<b>Total</b>		<b>278 ( 5x)</b>

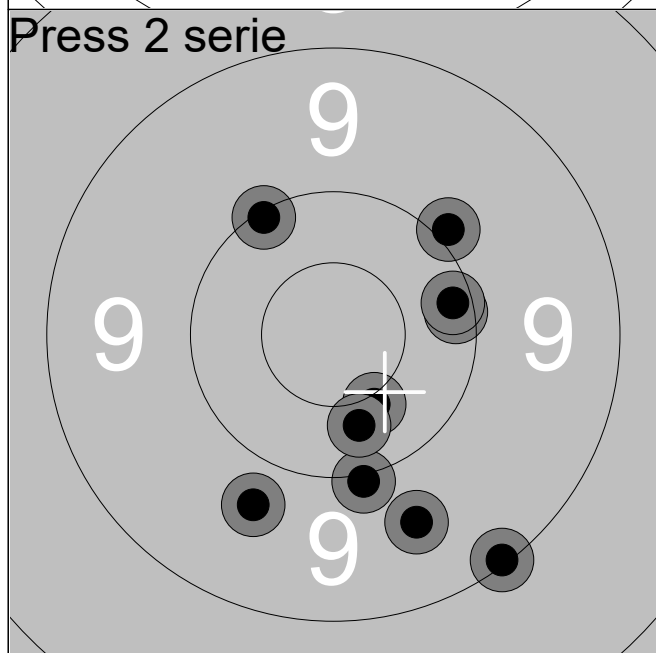
23.06.2019	NM bane 2019	NM Pistol 2019
------------	--------------	----------------

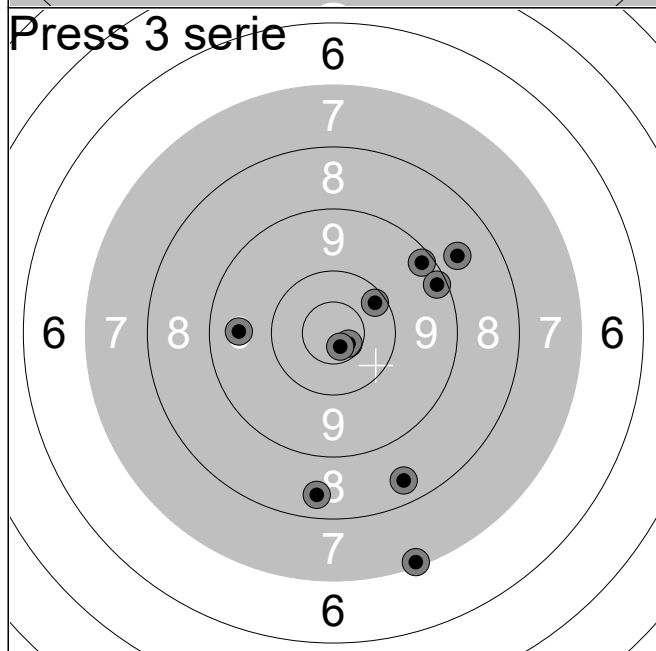
<b>Press 1 serie</b> 	<table style="width:100%; border-collapse: collapse;"> <tr><td style="text-align:right;">17.2s</td><td style="text-align:right;">10.3</td><td style="text-align:right;">↙</td></tr> <tr><td style="text-align:right;">52.4s</td><td style="text-align:right;">9.9</td><td style="text-align:right;">↙</td></tr> <tr><td style="text-align:right;">1:29m</td><td style="text-align:right;">9.8</td><td style="text-align:right;">↘</td></tr> <tr><td style="text-align:right;">2:12m</td><td style="text-align:right;">10.8x</td><td style="text-align:right;">↗</td></tr> <tr><td style="text-align:right;">2:49m</td><td style="text-align:right;">9.5</td><td style="text-align:right;">→</td></tr> <tr><td style="text-align:right;">20.6s</td><td style="text-align:right;">10.8x</td><td style="text-align:right;">↙</td></tr> <tr><td style="text-align:right;">54.6s</td><td style="text-align:right;">9.3</td><td style="text-align:right;">↙</td></tr> <tr><td style="text-align:right;">1:26m</td><td style="text-align:right;">8.3</td><td style="text-align:right;">↗</td></tr> <tr><td style="text-align:right;">2:16m</td><td style="text-align:right;">10.2</td><td style="text-align:right;">↗</td></tr> <tr><td style="text-align:right;">3:44m</td><td style="text-align:right;">10.2</td><td style="text-align:right;">↙</td></tr> <tr><td colspan="2"><b>Serie</b></td><td style="text-align:right;"><b>94 ( 2x)</b></td></tr> <tr><td colspan="2"><b>Total</b></td><td style="text-align:right;"><b>94 ( 2x)</b></td></tr> </table>	17.2s	10.3	↙	52.4s	9.9	↙	1:29m	9.8	↘	2:12m	10.8x	↗	2:49m	9.5	→	20.6s	10.8x	↙	54.6s	9.3	↙	1:26m	8.3	↗	2:16m	10.2	↗	3:44m	10.2	↙	<b>Serie</b>		<b>94 ( 2x)</b>	<b>Total</b>		<b>94 ( 2x)</b>
17.2s	10.3	↙																																			
52.4s	9.9	↙																																			
1:29m	9.8	↘																																			
2:12m	10.8x	↗																																			
2:49m	9.5	→																																			
20.6s	10.8x	↙																																			
54.6s	9.3	↙																																			
1:26m	8.3	↗																																			
2:16m	10.2	↗																																			
3:44m	10.2	↙																																			
<b>Serie</b>		<b>94 ( 2x)</b>																																			
<b>Total</b>		<b>94 ( 2x)</b>																																			
<b>Press 2 serie</b> 	<table style="width:100%; border-collapse: collapse;"> <tr><td style="text-align:right;">19.0s</td><td style="text-align:right;">10.3</td><td style="text-align:right;">↑</td></tr> <tr><td style="text-align:right;">1:24m</td><td style="text-align:right;">10.2</td><td style="text-align:right;">→</td></tr> <tr><td style="text-align:right;">1:55m</td><td style="text-align:right;">9.8</td><td style="text-align:right;">←</td></tr> <tr><td style="text-align:right;">2:29m</td><td style="text-align:right;">10.3</td><td style="text-align:right;">↗</td></tr> <tr><td style="text-align:right;">3:41m</td><td style="text-align:right;">10.8x</td><td style="text-align:right;">→</td></tr> <tr><td style="text-align:right;">19.0s</td><td style="text-align:right;">9.3</td><td style="text-align:right;">↗</td></tr> <tr><td style="text-align:right;">52.5s</td><td style="text-align:right;">8.9</td><td style="text-align:right;">↘</td></tr> <tr><td style="text-align:right;">1:26m</td><td style="text-align:right;">10.2</td><td style="text-align:right;">↗</td></tr> <tr><td style="text-align:right;">2:03m</td><td style="text-align:right;">10.0</td><td style="text-align:right;">↗</td></tr> <tr><td style="text-align:right;">3:48m</td><td style="text-align:right;">9.1</td><td style="text-align:right;">↘</td></tr> <tr><td colspan="2"><b>Serie</b></td><td style="text-align:right;"><b>95 ( 1x)</b></td></tr> <tr><td colspan="2"><b>Total</b></td><td style="text-align:right;"><b>189 ( 3x)</b></td></tr> </table>	19.0s	10.3	↑	1:24m	10.2	→	1:55m	9.8	←	2:29m	10.3	↗	3:41m	10.8x	→	19.0s	9.3	↗	52.5s	8.9	↘	1:26m	10.2	↗	2:03m	10.0	↗	3:48m	9.1	↘	<b>Serie</b>		<b>95 ( 1x)</b>	<b>Total</b>		<b>189 ( 3x)</b>
19.0s	10.3	↑																																			
1:24m	10.2	→																																			
1:55m	9.8	←																																			
2:29m	10.3	↗																																			
3:41m	10.8x	→																																			
19.0s	9.3	↗																																			
52.5s	8.9	↘																																			
1:26m	10.2	↗																																			
2:03m	10.0	↗																																			
3:48m	9.1	↘																																			
<b>Serie</b>		<b>95 ( 1x)</b>																																			
<b>Total</b>		<b>189 ( 3x)</b>																																			
<b>Press 3 serie</b> 	<table style="width:100%; border-collapse: collapse;"> <tr><td style="text-align:right;">17.4s</td><td style="text-align:right;">9.7</td><td style="text-align:right;">↗</td></tr> <tr><td style="text-align:right;">52.3s</td><td style="text-align:right;">9.0</td><td style="text-align:right;">↑</td></tr> <tr><td style="text-align:right;">1:33m</td><td style="text-align:right;">10.1</td><td style="text-align:right;">←</td></tr> <tr><td style="text-align:right;">2:08m</td><td style="text-align:right;">10.1</td><td style="text-align:right;">↘</td></tr> <tr><td style="text-align:right;">2:43m</td><td style="text-align:right;">10.3</td><td style="text-align:right;">↗</td></tr> <tr><td style="text-align:right;">16.0s</td><td style="text-align:right;">10.5x</td><td style="text-align:right;">↗</td></tr> <tr><td style="text-align:right;">49.8s</td><td style="text-align:right;">9.4</td><td style="text-align:right;">↘</td></tr> <tr><td style="text-align:right;">1:25m</td><td style="text-align:right;">9.8</td><td style="text-align:right;">←</td></tr> <tr><td style="text-align:right;">2:05m</td><td style="text-align:right;">9.4</td><td style="text-align:right;">↗</td></tr> <tr><td style="text-align:right;">3:15m</td><td style="text-align:right;">9.7</td><td style="text-align:right;">↘</td></tr> <tr><td colspan="2"><b>Serie</b></td><td style="text-align:right;"><b>94 ( 1x)</b></td></tr> <tr><td colspan="2"><b>Total</b></td><td style="text-align:right;"><b>283 ( 4x)</b></td></tr> </table>	17.4s	9.7	↗	52.3s	9.0	↑	1:33m	10.1	←	2:08m	10.1	↘	2:43m	10.3	↗	16.0s	10.5x	↗	49.8s	9.4	↘	1:25m	9.8	←	2:05m	9.4	↗	3:15m	9.7	↘	<b>Serie</b>		<b>94 ( 1x)</b>	<b>Total</b>		<b>283 ( 4x)</b>
17.4s	9.7	↗																																			
52.3s	9.0	↑																																			
1:33m	10.1	←																																			
2:08m	10.1	↘																																			
2:43m	10.3	↗																																			
16.0s	10.5x	↗																																			
49.8s	9.4	↘																																			
1:25m	9.8	←																																			
2:05m	9.4	↗																																			
3:15m	9.7	↘																																			
<b>Serie</b>		<b>94 ( 1x)</b>																																			
<b>Total</b>		<b>283 ( 4x)</b>																																			



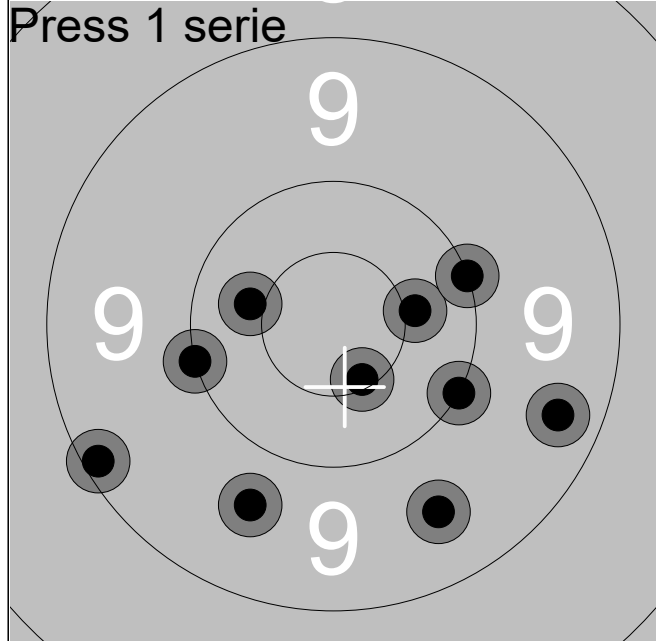
	44.4s	9.9	←
	1:18m	9.2	↑
	1:54m	9.6	←
	2:26m	9.7	←
	3:21m	9.9	→
	12.4s	9.3	←
	46.5s	9.0	↓
	1:17m	10.3	↓
	1:54m	9.9	→
	3:05m	7.4	↓
<b>Serie</b>			<b>89 ( 0x)</b>
<b>Total</b>			<b>89 ( 0x)</b>



	12.0s	10.0	↓
	43.9s	10.4x	↓
	1:19m	9.1	↓
	1:46m	10.1	↑
	2:16m	9.7	↓
	12.3s	10.2	→
	49.2s	10.0	↑
	1:21m	10.2	→
	1:57m	10.4	↓
	2:26m	9.6	↓
<b>Serie</b>			<b>97 ( 1x)</b>
<b>Total</b>			<b>186 ( 1x)</b>



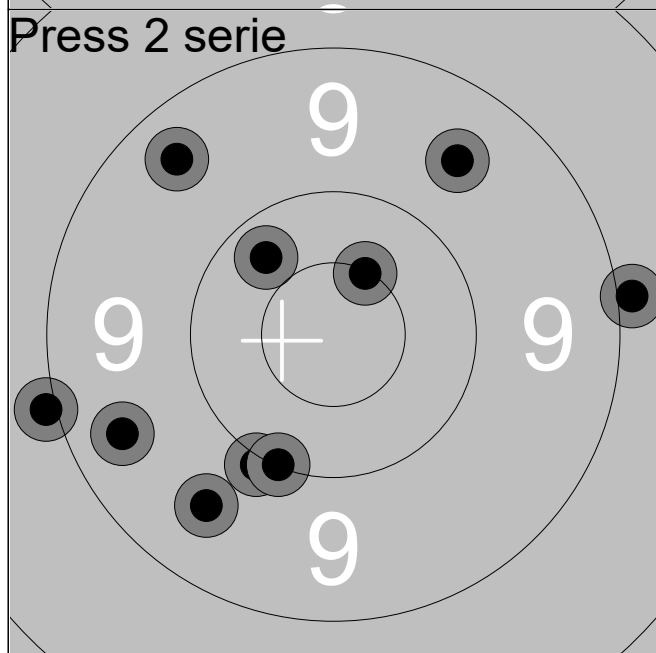
	11.9s	9.2	→
	59.5s	8.7	→
	1:36m	7.1	↓
	2:24m	8.4	↓
	3:11m	10.2	→
	12.6s	9.2	→
	42.6s	9.5	←
	1:18m	8.4	↓
	1:56m	10.7x	↓
	2:27m	10.7x	↓
<b>Serie</b>			<b>88 ( 2x)</b>
<b>Total</b>			<b>274 ( 3x)</b>



14.6s	9.4	→
38.0s	9.6	↓
1:08m	10.0	←
1:36m	10.4x	←
2:09m	10.1	→
18.7s	9.2	←
43.1s	10.4x	→
1:08m	10.1	→
1:36m	10.6x	↓
2:07m	9.7	↓

Serie	96 ( 3x)
-------	----------

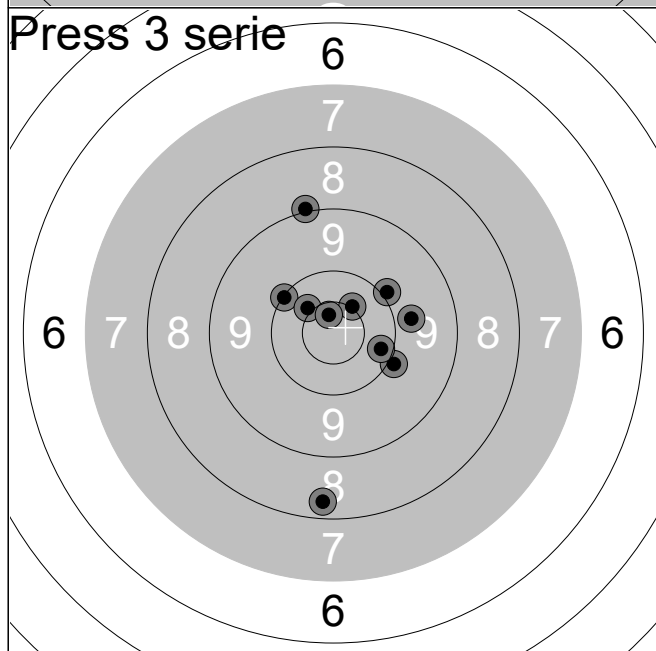
Total	96 ( 3x)
-------	----------



15.5s	9.4	↗
43.0s	10.3	↗
1:10m	9.6	↗
1:39m	9.0	→
2:07m	9.4	←
13.0s	10.0	↓
1:03m	10.5x	↗
1:33m	9.6	↓
2:02m	9.0	←
2:39m	10.1	↓

Serie	94 ( 1x)
-------	----------

Total	190 ( 4x)
-------	-----------

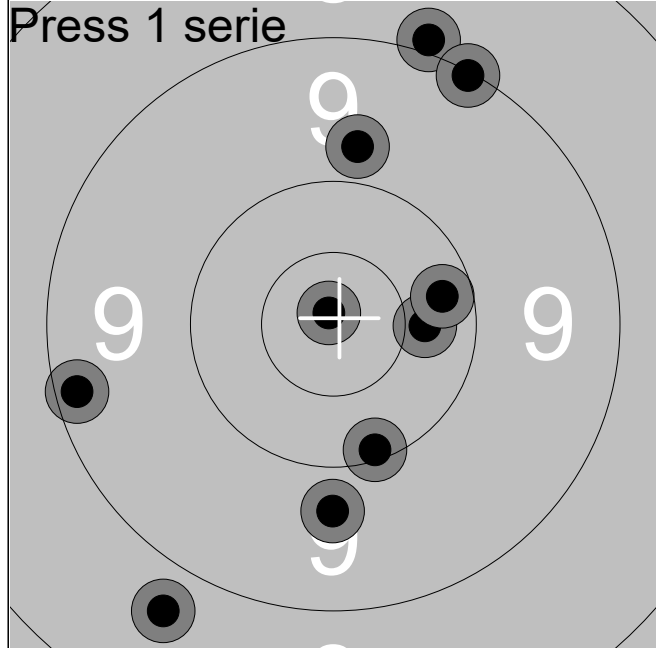


13.8s	10.0	→
1:12m	9.8	→
1:43m	10.0	↗
2:19m	10.1	↗
2:53m	10.4x	↗
15.7s	9.0	↑
47.9s	10.5x	↗
1:46m	10.2	→
2:13m	8.3	↓
2:42m	10.7x	↑

Serie	96 ( 3x)
-------	----------

Total	286 ( 7x)
-------	-----------

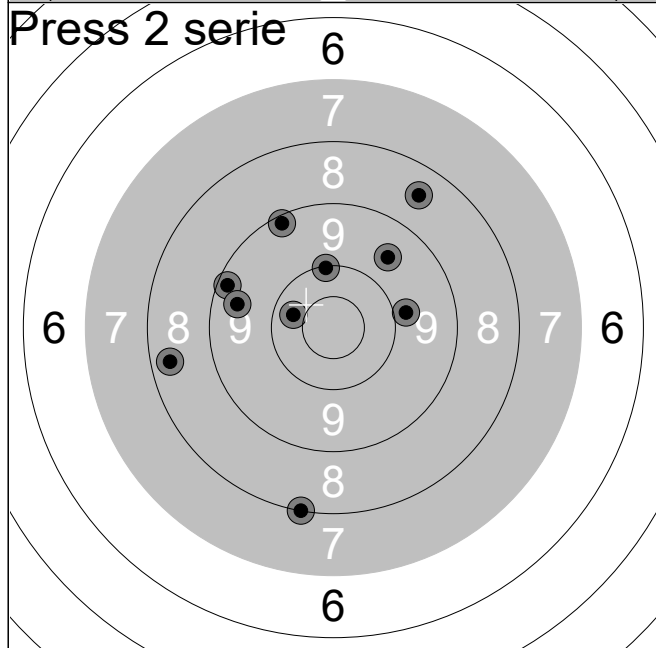




54.3s	10.4	→
1:13m	9.0	↑
1:46m	10.2	→
2:43m	9.1	↑
3:03m	10.9x	↑
57.8s	9.8	↓
1:18m	9.2	←
2:34m	10.1	↓
2:47m	9.8	↑
3:33m	8.7	↓

Serie 93 ( 1x)

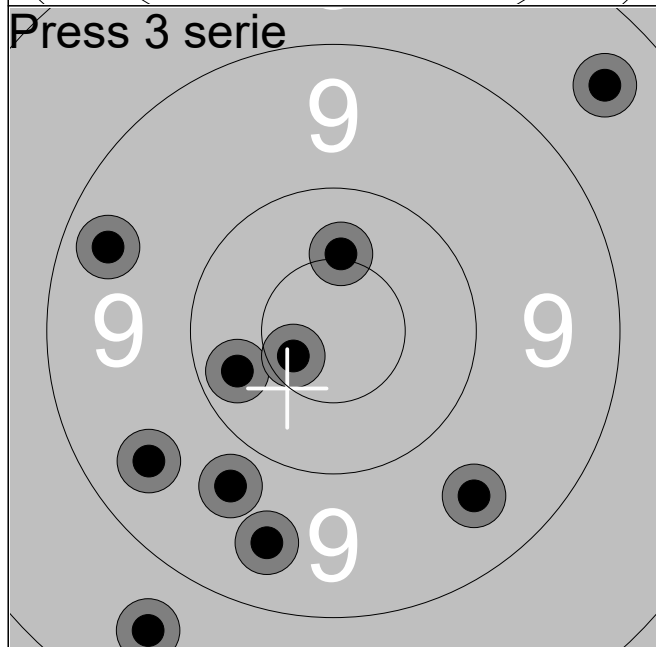
Total 93 ( 1x)



1:12m	8.5	↑
1:31m	8.4	←
2:22m	9.2	←
2:37m	9.9	→
3:00m	9.5	←
33.9s	9.2	↑
54.4s	10.1	↑
1:50m	10.3	←
2:11m	9.6	↑
2:35m	8.1	↓

Serie 89 ( 0x)

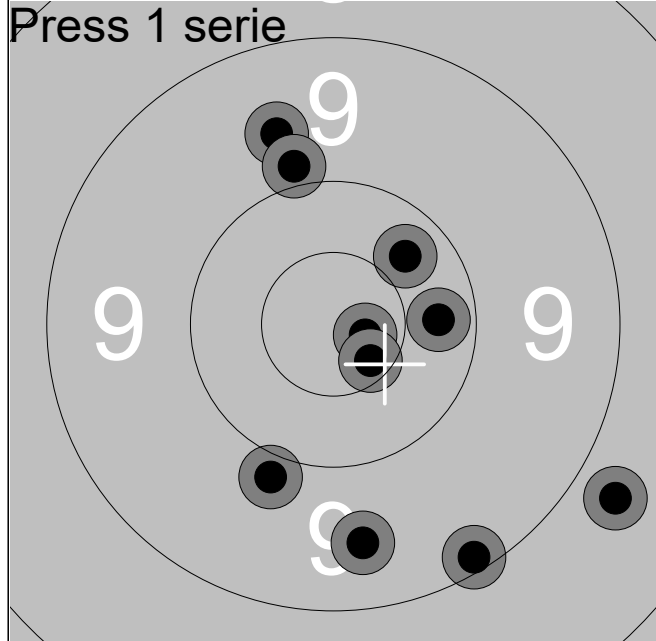
Total 182 ( 1x)



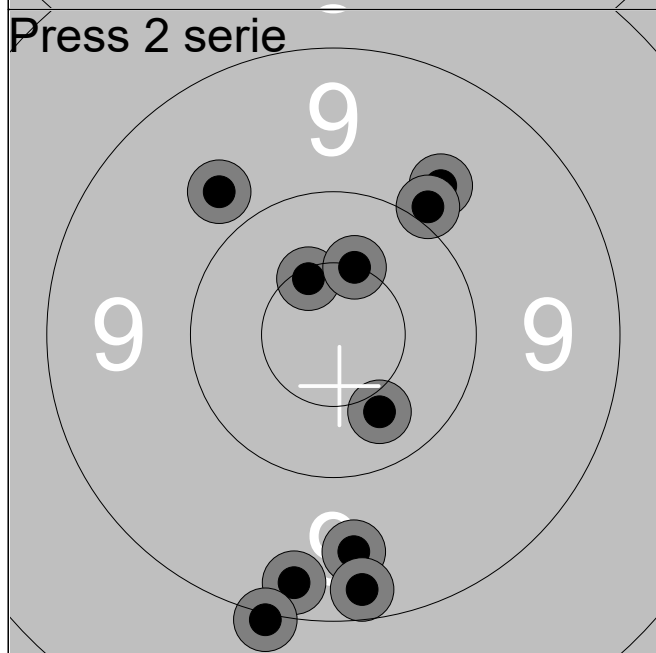
13.9s	9.5	←
1:28m	9.4	←
2:40m	9.5	↓
3:06m	9.8	↓
3:38m	8.5	↑
11.3s	10.5x	↑
27.6s	9.5	↓
47.8s	10.3	←
1:04m	10.6x	←
1:21m	8.6	↓

Serie 91 ( 2x)

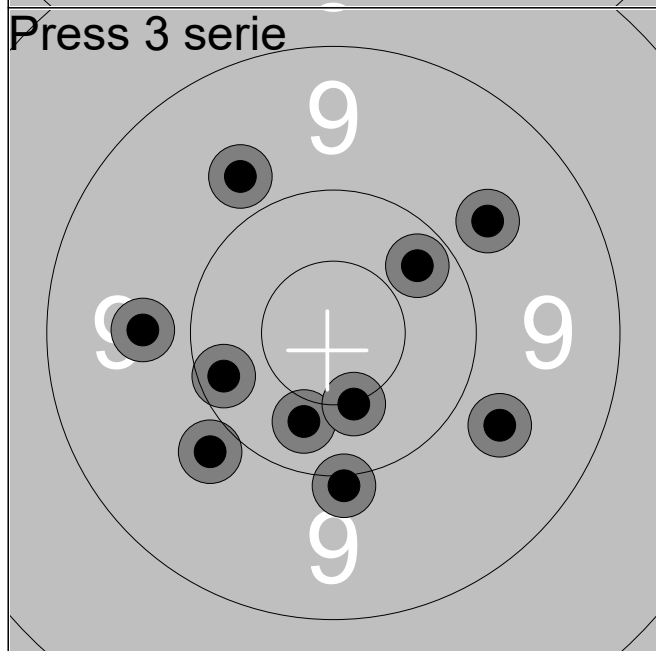
Total 273 ( 3x)



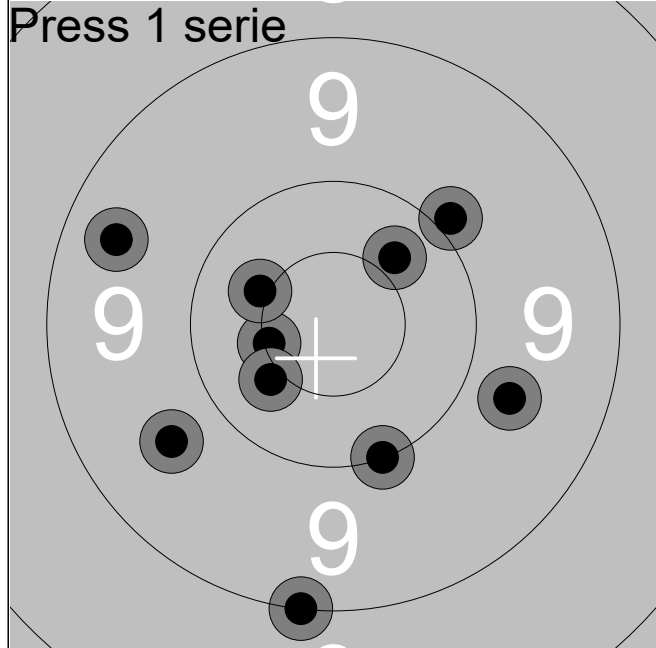
28.9s	9.7	↑
1:14m	10.3	↗
2:16m	10.3	→
2:52m	9.5	↓
3:34m	9.9	↑
24.1s	9.9	↓
1:03m	9.2	↓
1:39m	8.7	↘
2:18m	10.7x	→
3:37m	10.6x	↘
<b>Serie</b>		<b>93 ( 2x)</b>
<b>Total</b>		<b>93 ( 2x)</b>



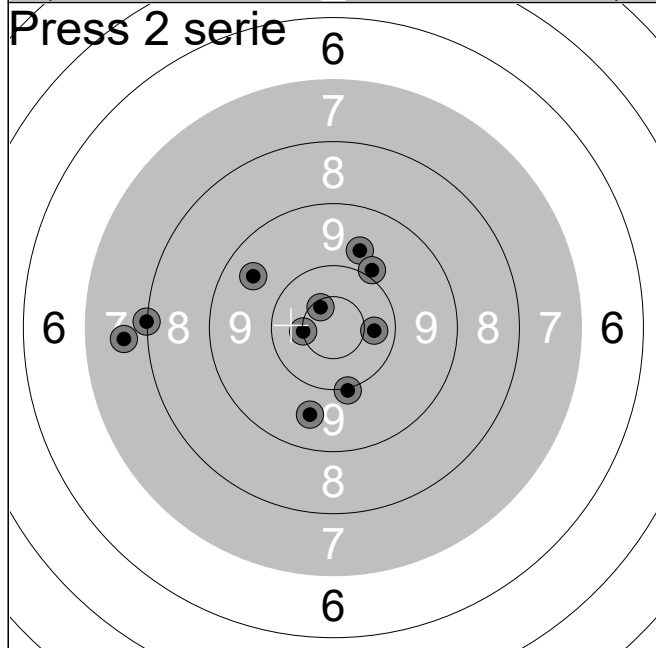
25.2s	10.6x	↑
1:01m	9.3	↓
1:36m	9.8	↗
2:17m	9.5	↓
3:50m	10.4	↘
28.2s	9.8	↗
59.6s	10.5x	↑
1:43m	9.0	↓
3:01m	9.9	↗
3:46m	9.3	↓
<b>Serie</b>		<b>93 ( 2x)</b>
<b>Total</b>		<b>186 ( 4x)</b>



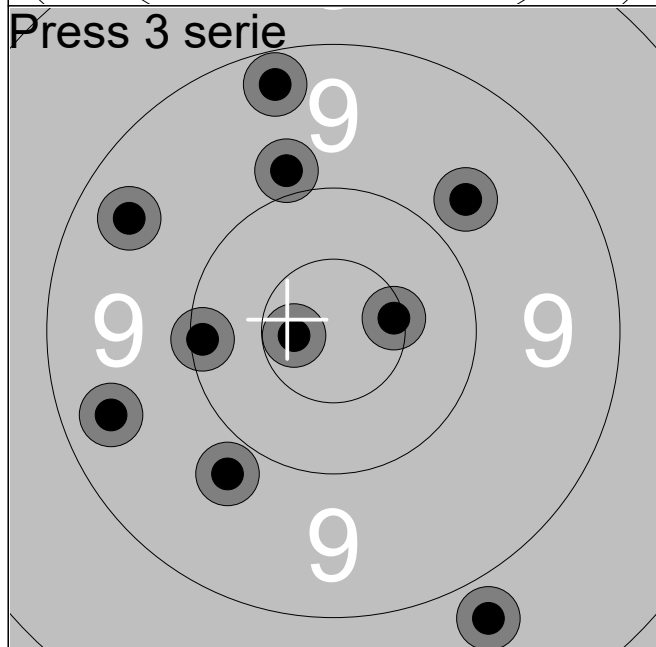
26.9s	9.7	↗
58.6s	10.3	↗
1:30m	10.0	↓
2:06m	9.7	↘
3:21m	9.9	↙
22.3s	9.8	↑
51.5s	10.4	↓
1:23m	10.2	←
1:53m	10.5x	↓
2:21m	9.7	←
<b>Serie</b>		<b>95 ( 1x)</b>
<b>Total</b>		<b>281 ( 5x)</b>



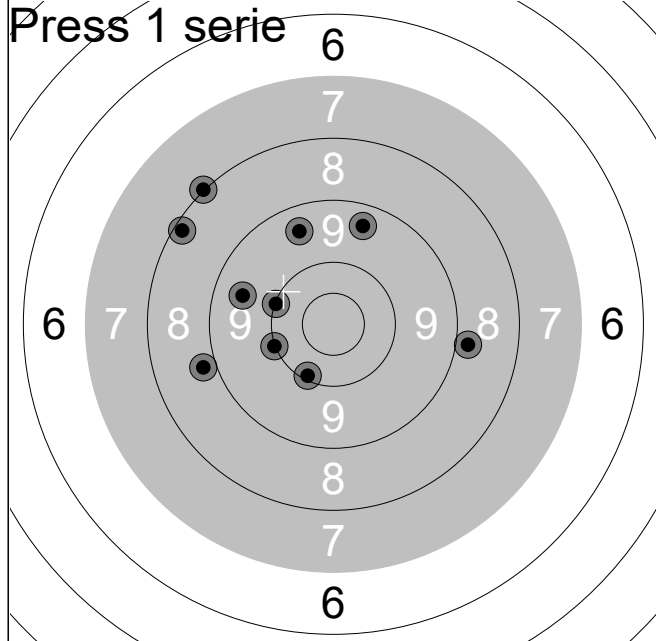
38.4s	9.7	→
56.2s	10.1	↓
1:15m	10.0	↗
1:34m	10.5x	←
1:55m	10.4	↗
14.2s	10.4x	↖
32.5s	9.1	↓
52.7s	9.7	↖
1:13m	10.4x	↖
1:33m	9.4	↖
<b>Serie</b>	<b>96 ( 3x)</b>	
<b>Total</b>	<b>96 ( 3x)</b>	



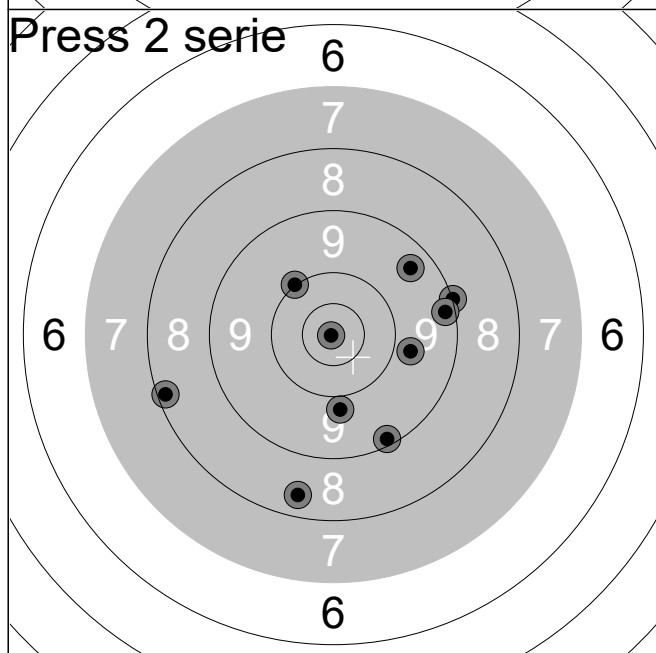
34.4s	7.7	←
51.3s	9.7	↗
1:11m	9.6	↓
1:32m	9.5	↗
1:52m	10.6x	↗
14.8s	10.4	→
36.5s	10.5x	←
56.0s	10.0	↓
1:17m	8.0	←
1:37m	9.9	↗
<b>Serie</b>	<b>91 ( 2x)</b>	
<b>Total</b>	<b>187 ( 5x)</b>	



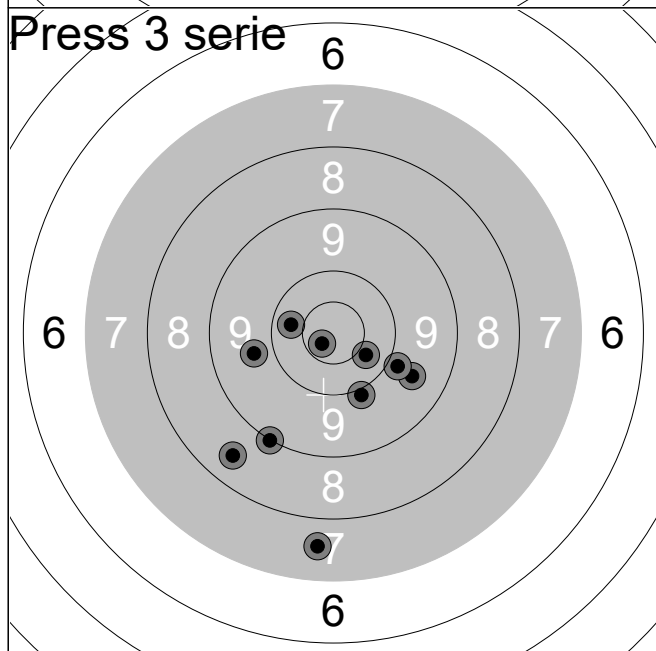
12.8s	9.4	←
34.3s	10.6x	→
54.9s	8.8	↓
1:18m	9.9	↗
1:37m	9.4	↖
14.6s	10.7x	←
34.1s	9.3	↗
50.9s	10.1	←
1:07m	9.8	↖
1:23m	9.8	↗
<b>Serie</b>	<b>92 ( 2x)</b>	
<b>Total</b>	<b>279 ( 7x)</b>	



21.1s	8.2	↗
42.7s	9.5	↑
1:29m	8.0	↗
1:59m	8.8	←
2:30m	10.0	←
11.0s	8.9	→
31.4s	10.1	↓
53.0s	9.4	↑
1:27m	9.5	←
1:54m	10.1	←
<b>Serie</b>	<b>89 ( 0x)</b>	
<b>Total</b>	<b>89 ( 0x)</b>	



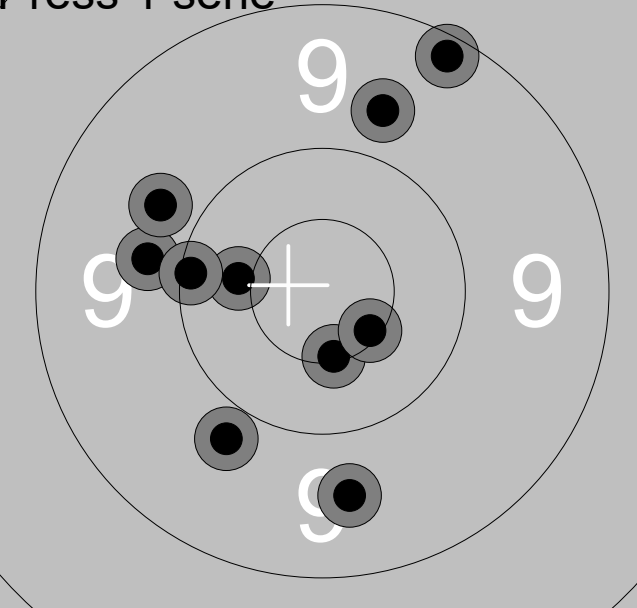
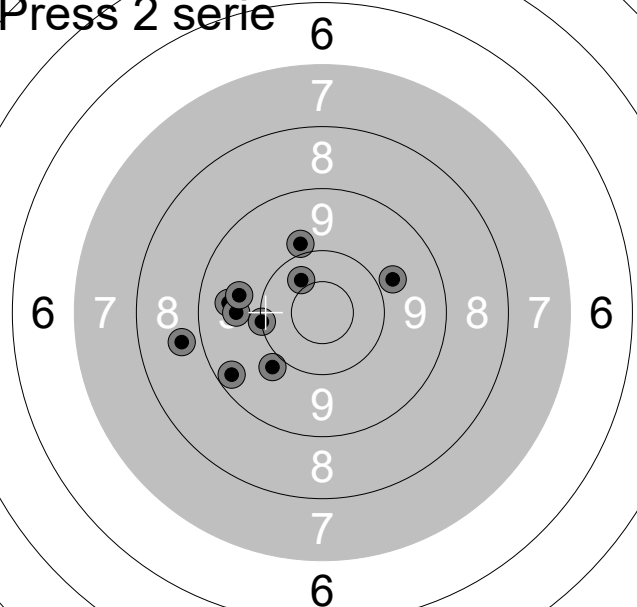
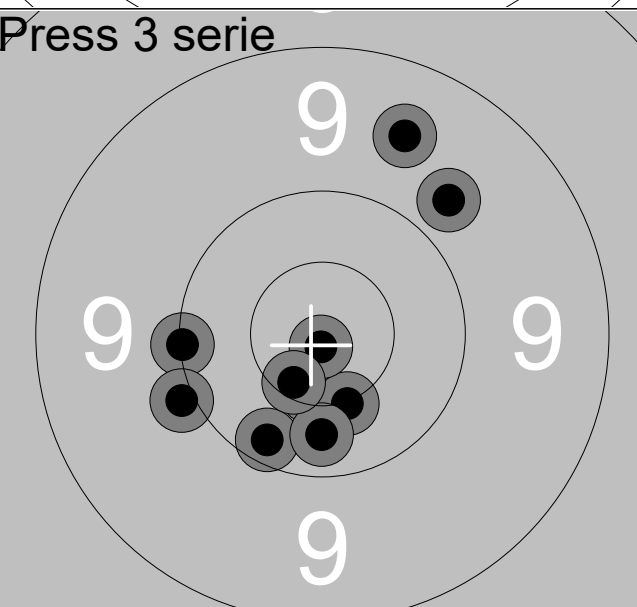
31.6s	9.2	↓
55.6s	9.0	→
1:27m	9.4	↗
1:57m	9.8	→
3:02m	10.0	↗
18.7s	8.2	←
36.8s	10.9x	←
56.2s	9.2	→
1:49m	9.9	↓
2:19m	8.4	↓
<b>Serie</b>	<b>90 ( 1x)</b>	
<b>Total</b>	<b>179 ( 1x)</b>	



13.0s	9.0	↓
31.5s	10.4	↘
1:16m	10.7x	↘
1:36m	7.6	↓
2:00m	9.7	←
14.2s	8.5	↘
36.1s	10.3	←
58.6s	9.6	↘
1:23m	9.9	↘
1:45m	10.0	↓
<b>Serie</b>	<b>91 ( 1x)</b>	
<b>Total</b>	<b>270 ( 2x)</b>	

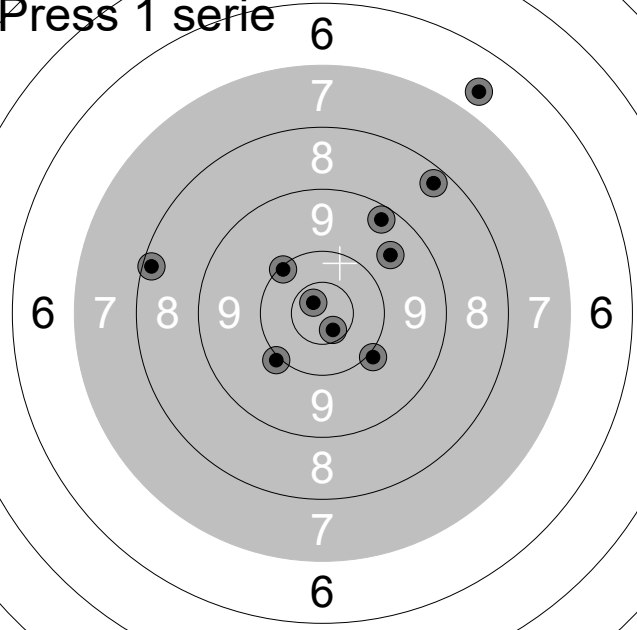
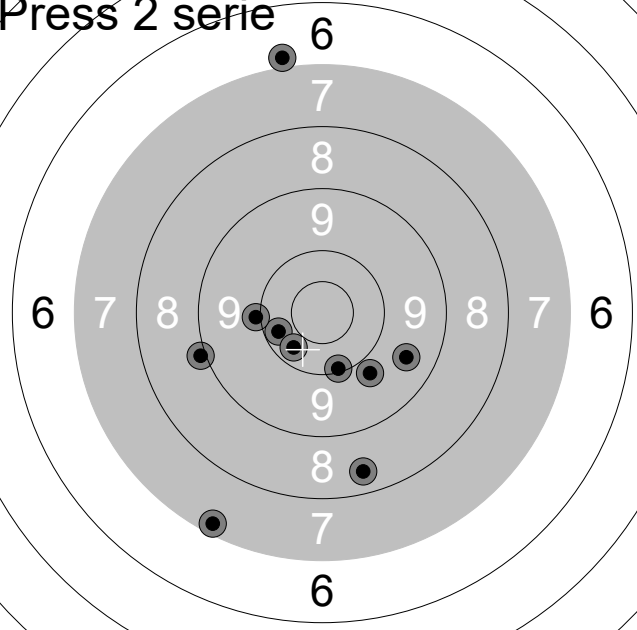
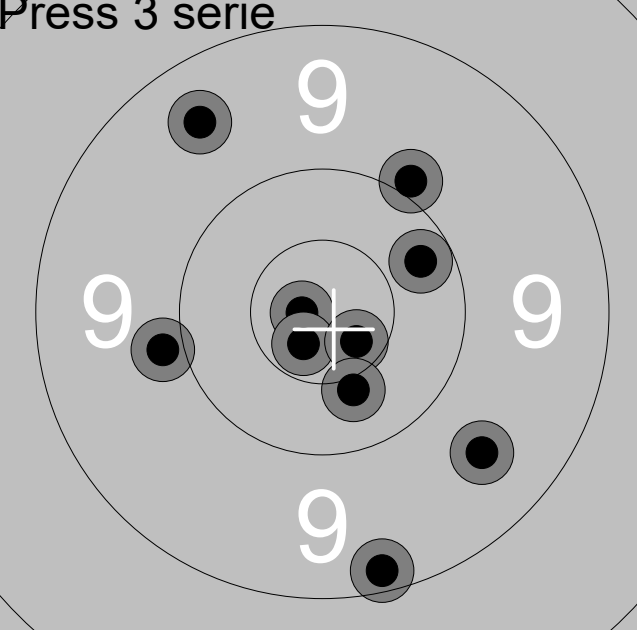
23.06.2019	NM bane 2019	NM Pistol 2019
------------	--------------	----------------

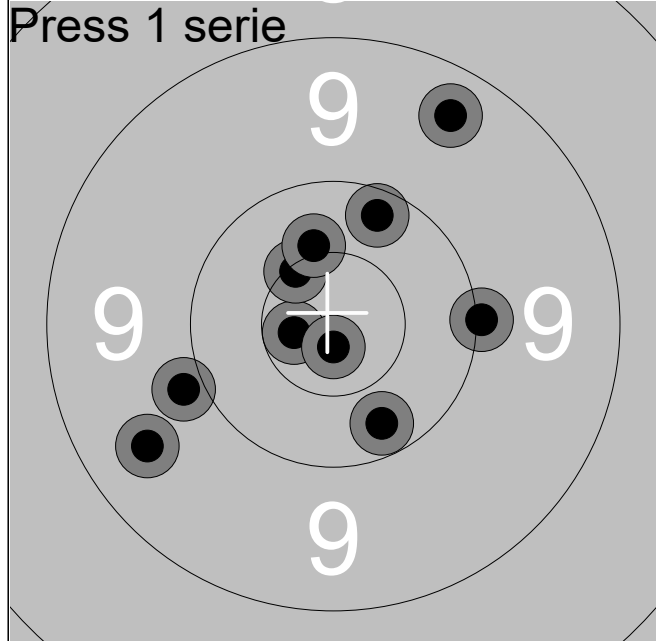
  

<b>Press 1 serie</b> 	<table style="width:100%; border-collapse: collapse;"> <tr><td>9.74s</td><td>9.6</td><td>↓</td></tr> <tr><td>56.8s</td><td>10.5x</td><td>↓</td></tr> <tr><td>1:03m</td><td>10.4x</td><td>←</td></tr> <tr><td>1:30m</td><td>9.7</td><td>↑</td></tr> <tr><td>1:37m</td><td>9.8</td><td>↓</td></tr> <tr><td>15.5s</td><td>9.2</td><td>↑</td></tr> <tr><td>21.3s</td><td>9.8</td><td>←</td></tr> <tr><td>1:29m</td><td>10.6x</td><td>↓</td></tr> <tr><td>2:07m</td><td>9.8</td><td>↖</td></tr> <tr><td>3:14m</td><td>10.1</td><td>←</td></tr> <tr><td colspan="2"><b>Serie</b></td><td><b>94 ( 3x)</b></td></tr> <tr><td colspan="2"><b>Total</b></td><td><b>94 ( 3x)</b></td></tr> </table>	9.74s	9.6	↓	56.8s	10.5x	↓	1:03m	10.4x	←	1:30m	9.7	↑	1:37m	9.8	↓	15.5s	9.2	↑	21.3s	9.8	←	1:29m	10.6x	↓	2:07m	9.8	↖	3:14m	10.1	←	<b>Serie</b>		<b>94 ( 3x)</b>	<b>Total</b>		<b>94 ( 3x)</b>
9.74s	9.6	↓																																			
56.8s	10.5x	↓																																			
1:03m	10.4x	←																																			
1:30m	9.7	↑																																			
1:37m	9.8	↓																																			
15.5s	9.2	↑																																			
21.3s	9.8	←																																			
1:29m	10.6x	↓																																			
2:07m	9.8	↖																																			
3:14m	10.1	←																																			
<b>Serie</b>		<b>94 ( 3x)</b>																																			
<b>Total</b>		<b>94 ( 3x)</b>																																			
<b>Press 2 serie</b> 	<table style="width:100%; border-collapse: collapse;"> <tr><td>11.2s</td><td>10.4</td><td>↖</td></tr> <tr><td>40.8s</td><td>9.8</td><td>→</td></tr> <tr><td>1:23m</td><td>9.9</td><td>↓</td></tr> <tr><td>1:29m</td><td>9.5</td><td>←</td></tr> <tr><td>2:09m</td><td>9.7</td><td>←</td></tr> <tr><td>43.6s</td><td>10.1</td><td>←</td></tr> <tr><td>48.4s</td><td>8.7</td><td>←</td></tr> <tr><td>1:08m</td><td>9.7</td><td>←</td></tr> <tr><td>1:10m</td><td>9.9</td><td>↑</td></tr> <tr><td>1:47m</td><td>9.3</td><td>↙</td></tr> <tr><td colspan="2"><b>Serie</b></td><td><b>91 ( 0x)</b></td></tr> <tr><td colspan="2"><b>Total</b></td><td><b>185 ( 3x)</b></td></tr> </table>	11.2s	10.4	↖	40.8s	9.8	→	1:23m	9.9	↓	1:29m	9.5	←	2:09m	9.7	←	43.6s	10.1	←	48.4s	8.7	←	1:08m	9.7	←	1:10m	9.9	↑	1:47m	9.3	↙	<b>Serie</b>		<b>91 ( 0x)</b>	<b>Total</b>		<b>185 ( 3x)</b>
11.2s	10.4	↖																																			
40.8s	9.8	→																																			
1:23m	9.9	↓																																			
1:29m	9.5	←																																			
2:09m	9.7	←																																			
43.6s	10.1	←																																			
48.4s	8.7	←																																			
1:08m	9.7	←																																			
1:10m	9.9	↑																																			
1:47m	9.3	↙																																			
<b>Serie</b>		<b>91 ( 0x)</b>																																			
<b>Total</b>		<b>185 ( 3x)</b>																																			
<b>Press 3 serie</b> 	<table style="width:100%; border-collapse: collapse;"> <tr><td>8.84s</td><td>10.6x</td><td>↓</td></tr> <tr><td>13.9s</td><td>10.2</td><td>↓</td></tr> <tr><td>37.0s</td><td>10.5x</td><td>↓</td></tr> <tr><td>40.9s</td><td>9.6</td><td>↑</td></tr> <tr><td>1:14m</td><td>10.3</td><td>↓</td></tr> <tr><td>8.96s</td><td>10.1</td><td>←</td></tr> <tr><td>16.4s</td><td>9.8</td><td>↗</td></tr> <tr><td>46.5s</td><td>10.9x</td><td>↓</td></tr> <tr><td>1:26m</td><td>10.6x</td><td>↓</td></tr> <tr><td>2:23m</td><td>10.0</td><td>←</td></tr> <tr><td colspan="2"><b>Serie</b></td><td><b>98 ( 4x)</b></td></tr> <tr><td colspan="2"><b>Total</b></td><td><b>283 ( 7x)</b></td></tr> </table>	8.84s	10.6x	↓	13.9s	10.2	↓	37.0s	10.5x	↓	40.9s	9.6	↑	1:14m	10.3	↓	8.96s	10.1	←	16.4s	9.8	↗	46.5s	10.9x	↓	1:26m	10.6x	↓	2:23m	10.0	←	<b>Serie</b>		<b>98 ( 4x)</b>	<b>Total</b>		<b>283 ( 7x)</b>
8.84s	10.6x	↓																																			
13.9s	10.2	↓																																			
37.0s	10.5x	↓																																			
40.9s	9.6	↑																																			
1:14m	10.3	↓																																			
8.96s	10.1	←																																			
16.4s	9.8	↗																																			
46.5s	10.9x	↓																																			
1:26m	10.6x	↓																																			
2:23m	10.0	←																																			
<b>Serie</b>		<b>98 ( 4x)</b>																																			
<b>Total</b>		<b>283 ( 7x)</b>																																			

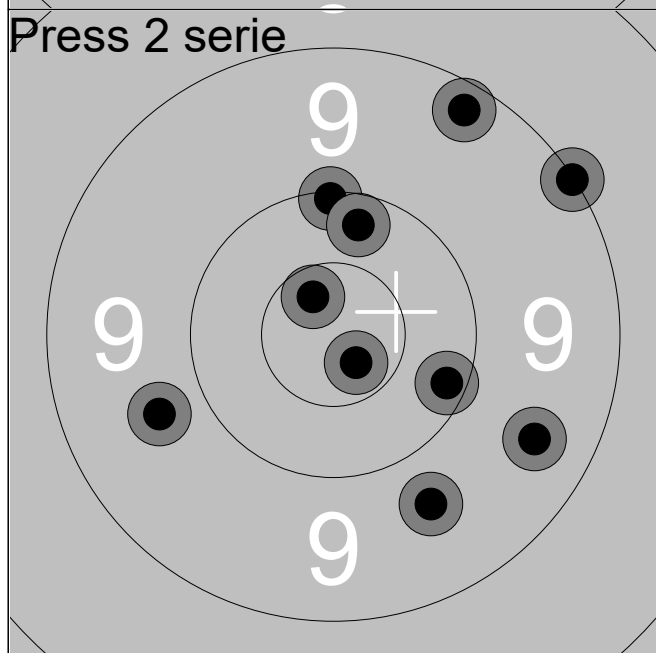
23.06.2019	NM bane 2019	NM Pistol 2019
------------	--------------	----------------

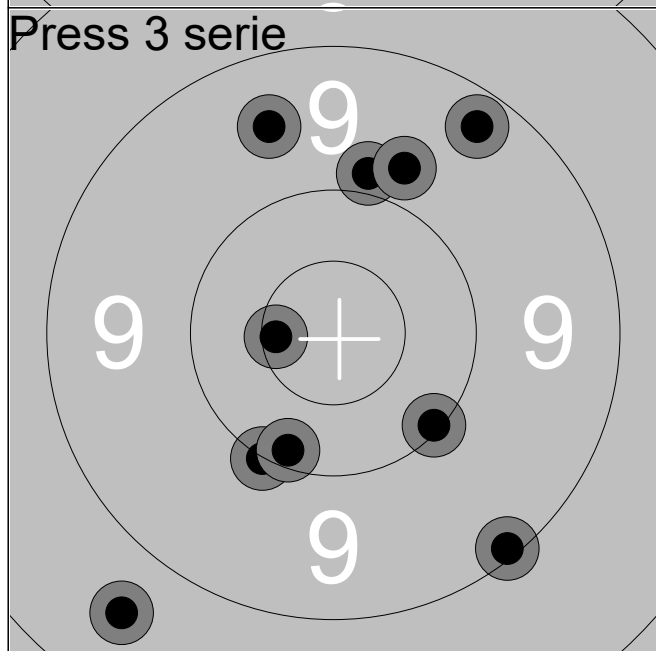
<b>Press 1 serie</b> 	<table style="width:100%; border-collapse: collapse;"> <tr><td>17.4s</td><td>6.7</td><td>↗</td></tr> <tr><td>45.6s</td><td>9.6</td><td>↗</td></tr> <tr><td>1:10m</td><td>10.7x</td><td>↘</td></tr> <tr><td>1:54m</td><td>10.1</td><td>↗</td></tr> <tr><td>2:25m</td><td>10.0</td><td>↘</td></tr> <tr><td>19.2s</td><td>8.2</td><td>←</td></tr> <tr><td>51.4s</td><td>10.0</td><td>↘</td></tr> <tr><td>1:20m</td><td>10.7x</td><td>↗</td></tr> <tr><td>2:00m</td><td>9.3</td><td>↗</td></tr> <tr><td>2:39m</td><td>8.3</td><td>↗</td></tr> <tr><td><b>Serie</b></td><td><b>90 ( 2x)</b></td><td></td></tr> <tr><td><b>Total</b></td><td><b>90 ( 2x)</b></td><td></td></tr> </table>	17.4s	6.7	↗	45.6s	9.6	↗	1:10m	10.7x	↘	1:54m	10.1	↗	2:25m	10.0	↘	19.2s	8.2	←	51.4s	10.0	↘	1:20m	10.7x	↗	2:00m	9.3	↗	2:39m	8.3	↗	<b>Serie</b>	<b>90 ( 2x)</b>		<b>Total</b>	<b>90 ( 2x)</b>	
17.4s	6.7	↗																																			
45.6s	9.6	↗																																			
1:10m	10.7x	↘																																			
1:54m	10.1	↗																																			
2:25m	10.0	↘																																			
19.2s	8.2	←																																			
51.4s	10.0	↘																																			
1:20m	10.7x	↗																																			
2:00m	9.3	↗																																			
2:39m	8.3	↗																																			
<b>Serie</b>	<b>90 ( 2x)</b>																																				
<b>Total</b>	<b>90 ( 2x)</b>																																				
<b>Press 2 serie</b> 	<table style="width:100%; border-collapse: collapse;"> <tr><td>20.8s</td><td>8.4</td><td>↘</td></tr> <tr><td>51.6s</td><td>9.8</td><td>↘</td></tr> <tr><td>1:19m</td><td>10.3</td><td>←</td></tr> <tr><td>2:02m</td><td>10.3</td><td>↘</td></tr> <tr><td>2:45m</td><td>10.1</td><td>↘</td></tr> <tr><td>29.2s</td><td>7.2</td><td>↘</td></tr> <tr><td>1:15m</td><td>10.0</td><td>←</td></tr> <tr><td>1:48m</td><td>6.9</td><td>↑</td></tr> <tr><td>2:26m</td><td>9.0</td><td>←</td></tr> <tr><td>3:02m</td><td>9.5</td><td>↘</td></tr> <tr><td><b>Serie</b></td><td><b>88 ( 0x)</b></td><td></td></tr> <tr><td><b>Total</b></td><td><b>178 ( 2x)</b></td><td></td></tr> </table>	20.8s	8.4	↘	51.6s	9.8	↘	1:19m	10.3	←	2:02m	10.3	↘	2:45m	10.1	↘	29.2s	7.2	↘	1:15m	10.0	←	1:48m	6.9	↑	2:26m	9.0	←	3:02m	9.5	↘	<b>Serie</b>	<b>88 ( 0x)</b>		<b>Total</b>	<b>178 ( 2x)</b>	
20.8s	8.4	↘																																			
51.6s	9.8	↘																																			
1:19m	10.3	←																																			
2:02m	10.3	↘																																			
2:45m	10.1	↘																																			
29.2s	7.2	↘																																			
1:15m	10.0	←																																			
1:48m	6.9	↑																																			
2:26m	9.0	←																																			
3:02m	9.5	↘																																			
<b>Serie</b>	<b>88 ( 0x)</b>																																				
<b>Total</b>	<b>178 ( 2x)</b>																																				
<b>Press 3 serie</b> 	<table style="width:100%; border-collapse: collapse;"> <tr><td>19.7s</td><td>10.8x</td><td>←</td></tr> <tr><td>54.7s</td><td>9.5</td><td>↗</td></tr> <tr><td>1:24m</td><td>10.7x</td><td>↘</td></tr> <tr><td>1:51m</td><td>10.3</td><td>↗</td></tr> <tr><td>2:25m</td><td>9.2</td><td>↘</td></tr> <tr><td>15.5s</td><td>9.6</td><td>↘</td></tr> <tr><td>47.2s</td><td>9.9</td><td>←</td></tr> <tr><td>1:30m</td><td>10.7x</td><td>↘</td></tr> <tr><td>2:00m</td><td>10.4x</td><td>↘</td></tr> <tr><td>2:26m</td><td>10.0</td><td>↗</td></tr> <tr><td><b>Serie</b></td><td><b>96 ( 4x)</b></td><td></td></tr> <tr><td><b>Total</b></td><td><b>274 ( 6x)</b></td><td></td></tr> </table>	19.7s	10.8x	←	54.7s	9.5	↗	1:24m	10.7x	↘	1:51m	10.3	↗	2:25m	9.2	↘	15.5s	9.6	↘	47.2s	9.9	←	1:30m	10.7x	↘	2:00m	10.4x	↘	2:26m	10.0	↗	<b>Serie</b>	<b>96 ( 4x)</b>		<b>Total</b>	<b>274 ( 6x)</b>	
19.7s	10.8x	←																																			
54.7s	9.5	↗																																			
1:24m	10.7x	↘																																			
1:51m	10.3	↗																																			
2:25m	9.2	↘																																			
15.5s	9.6	↘																																			
47.2s	9.9	←																																			
1:30m	10.7x	↘																																			
2:00m	10.4x	↘																																			
2:26m	10.0	↗																																			
<b>Serie</b>	<b>96 ( 4x)</b>																																				
<b>Total</b>	<b>274 ( 6x)</b>																																				



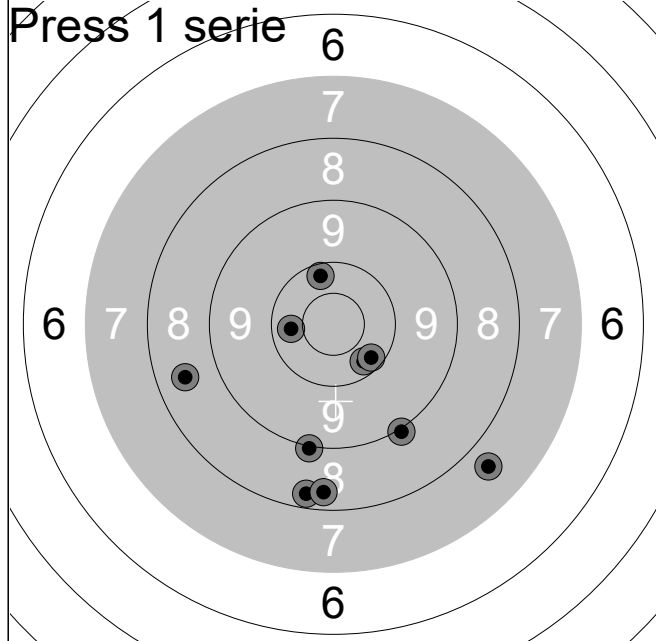
23.6s	9.5	↙
47.1s	10.2	↑
1:14m	9.4	↗
1:39m	10.0	→
2:36m	10.7x	↖
18.1s	10.8x	↓
40.7s	10.5x	↗
1:38m	9.9	↖
1:59m	10.4x	↑
2:18m	10.3	↓
<b>Serie</b>		<b>97 ( 4x)</b>
<b>Total</b>		<b>97 ( 4x)</b>



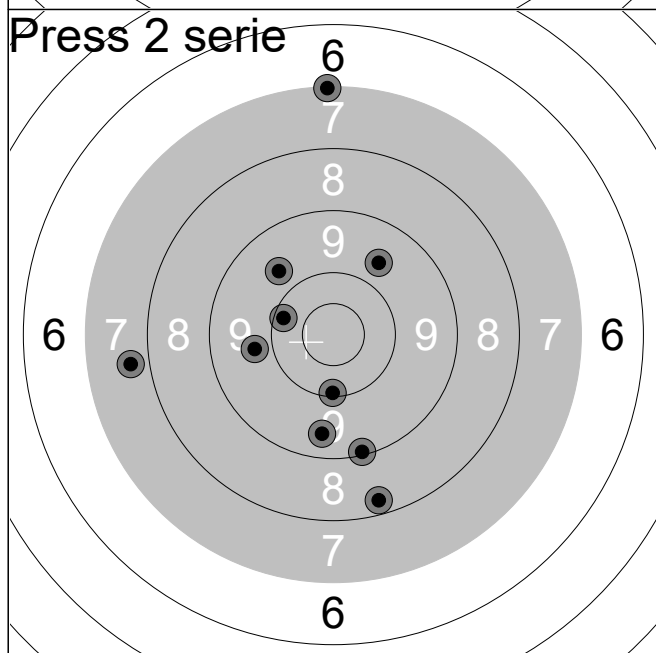
15.1s	10.1	↑
40.7s	10.2	→
1:05m	9.5	↘
1:32m	9.7	↓
2:14m	9.2	↗
19.2s	10.2	↑
43.2s	9.7	↖
1:06m	10.7x	↘
1:25m	9.1	↗
1:52m	10.7x	↑
<b>Serie</b>		<b>95 ( 2x)</b>
<b>Total</b>		<b>192 ( 6x)</b>



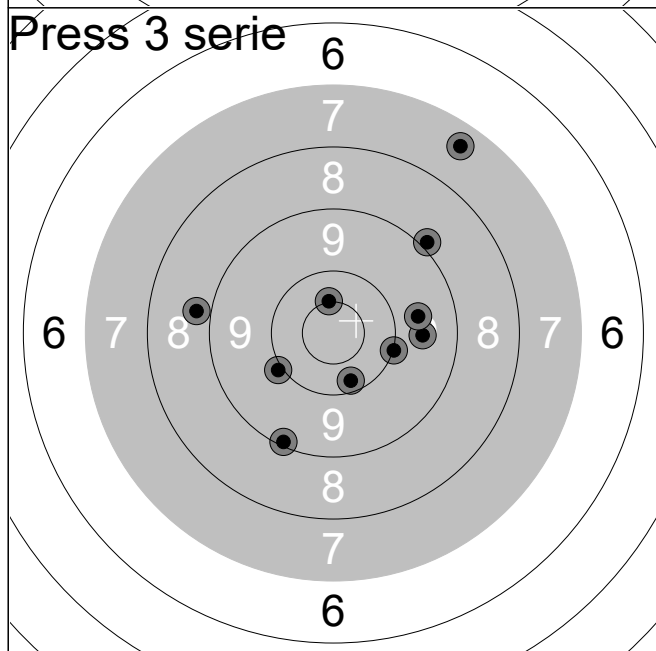
11.2s	9.3	↗
28.0s	9.5	↑
51.8s	10.0	↘
1:13m	9.9	↑
1:38m	10.1	↘
11.2s	10.6x	↖
49.2s	10.2	↓
1:05m	8.6	↘
1:26m	9.8	↑
1:48m	9.1	↘
<b>Serie</b>		<b>93 ( 1x)</b>
<b>Total</b>		<b>285 ( 7x)</b>



20.6s	10.2	↑
50.6s	7.7	↓
1:23m	9.0	↓
1:54m	8.3	↓
2:25m	10.3	↓
17.4s	10.2	↓
47.6s	10.3	←
1:24m	8.5	←
2:00m	8.3	↓
2:36m	9.0	↓
<b>Serie</b>	<b>89 ( 0x)</b>	
<b>Total</b>	<b>89 ( 0x)</b>	

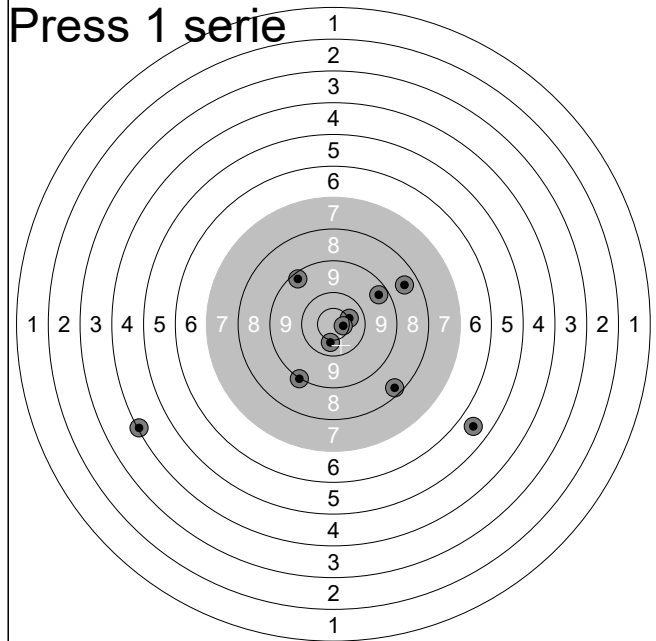


15.1s	7.1	↑
41.5s	9.5	↓
1:02m	7.8	←
1:37m	9.7	↗
2:11m	10.1	↓
15.3s	9.7	↗
46.6s	8.3	↓
1:22m	10.2	←
2:03m	9.8	←
2:35m	9.1	↓
<b>Serie</b>	<b>87 ( 0x)</b>	
<b>Total</b>	<b>176 ( 0x)</b>	

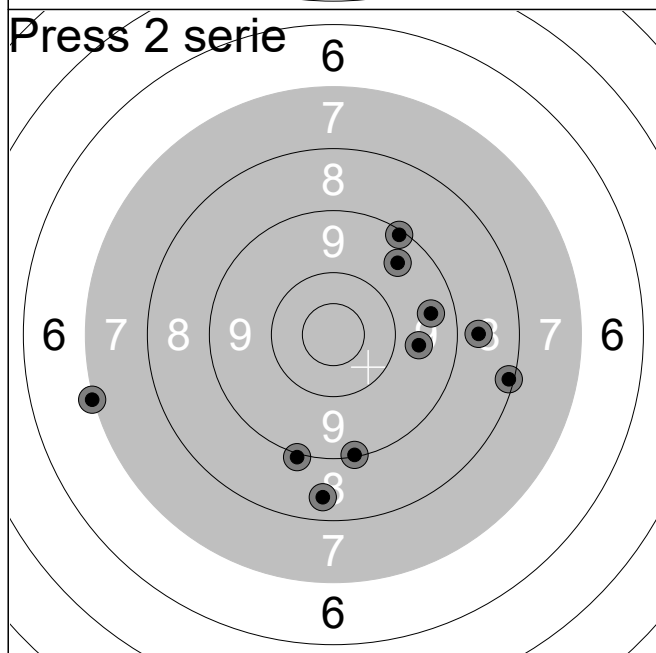


16.9s	9.6	→
47.6s	10.2	↓
1:27m	8.8	←
1:57m	10.0	→
2:33m	9.0	↗
16.3s	9.7	→
47.0s	7.4	↗
1:20m	10.5x	↑
1:57m	10.0	←
2:33m	9.1	↓
<b>Serie</b>	<b>91 ( 1x)</b>	
<b>Total</b>	<b>267 ( 1x)</b>	

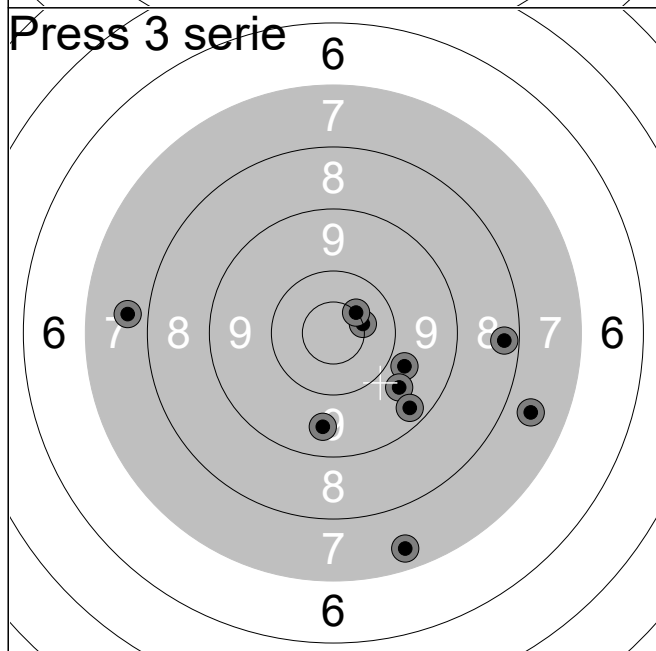




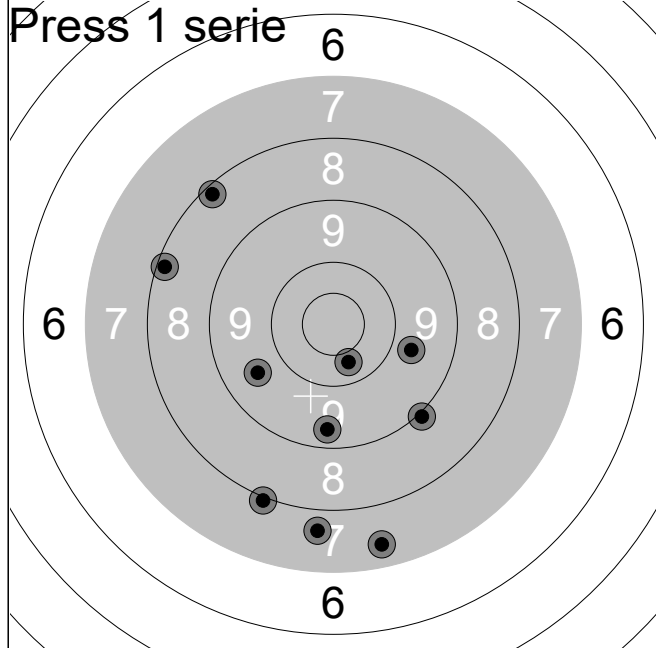
	7.70s	9.3	↗
	26.6s	4.1	↖
	42.7s	5.6	↘
	1:00m	10.5x	→
	1:20m	10.4x	↓
	16.5s	9.2	↗
	37.3s	8.3	↘
	1:02m	10.7x	→
	1:31m	8.5	↗
	1:51m	9.0	↓
<b>Serie</b>			<b>82 ( 3x)</b>
<b>Total</b>			<b>82 ( 3x)</b>



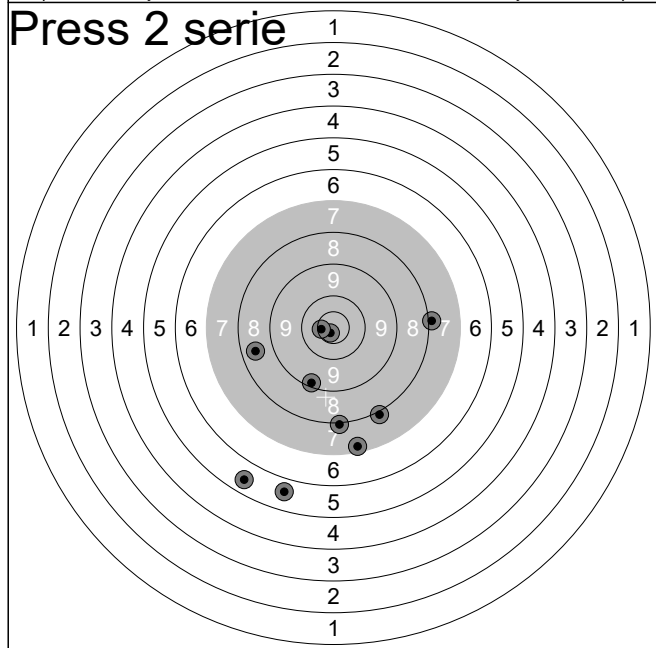
	32.7s	9.1	↓
	56.2s	9.1	↗
	1:14m	7.0	↖
	1:46m	9.5	↗
	2:09m	9.0	↓
	31.6s	8.1	→
	1:00m	9.7	→
	1:17m	8.4	↓
	1:39m	9.5	→
	2:24m	8.7	→
<b>Serie</b>			<b>85 ( 0x)</b>
<b>Total</b>			<b>167 ( 3x)</b>



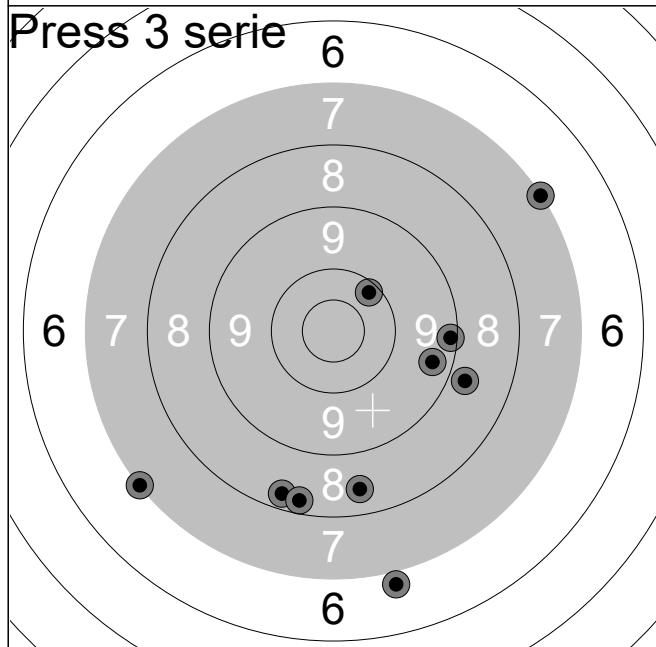
	32.0s	9.5	↓
	1:03m	9.8	↘
	1:42m	7.6	↘
	2:25m	7.7	↖
	2:43m	9.7	↘
	9.36s	10.5x	→
	25.2s	8.3	→
	54.5s	9.3	↘
	1:15m	10.5x	↗
	1:36m	7.4	↓
<b>Serie</b>			<b>85 ( 2x)</b>
<b>Total</b>			<b>252 ( 5x)</b>



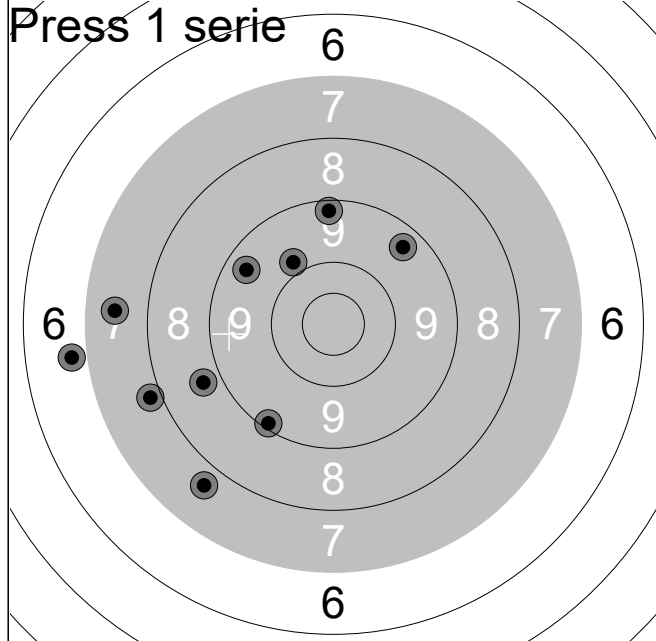
28.4s	9.6	↖
52.3s	9.0	↘
1:28m	10.4	↘
1:55m	7.4	↘
2:21m	9.7	→
28.1s	7.7	↓
50.1s	9.4	↓
1:13m	8.2	↗
1:41m	8.0	↘
2:13m	8.2	↖
<b>Serie</b>	<b>84 ( 0x)</b>	
<b>Total</b>	<b>84 ( 0x)</b>	



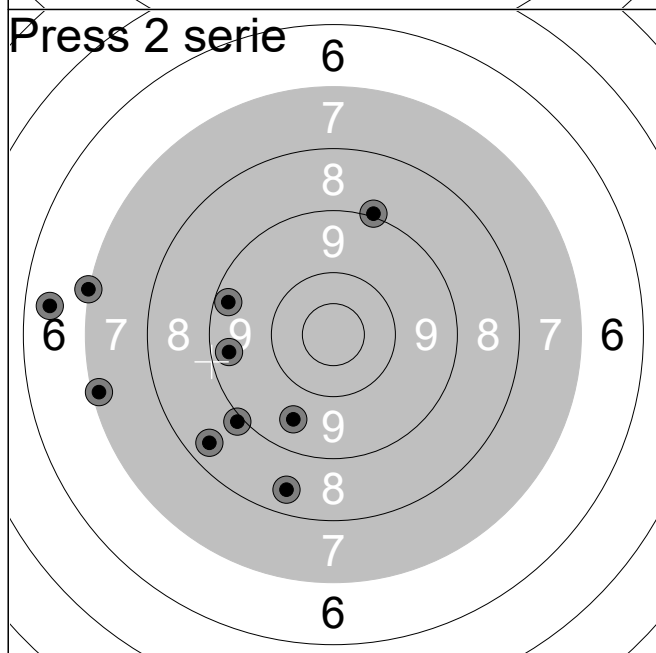
46.1s	8.0	↓
1:12m	8.0	→
1:40m	5.5	↘
2:08m	7.2	↓
2:37m	10.8x	↘
26.9s	5.6	↘
53.4s	10.6x	←
1:48m	8.5	←
2:19m	7.9	↘
2:49m	9.2	↘
<b>Serie</b>	<b>77 ( 2x)</b>	
<b>Total</b>	<b>161 ( 2x)</b>	



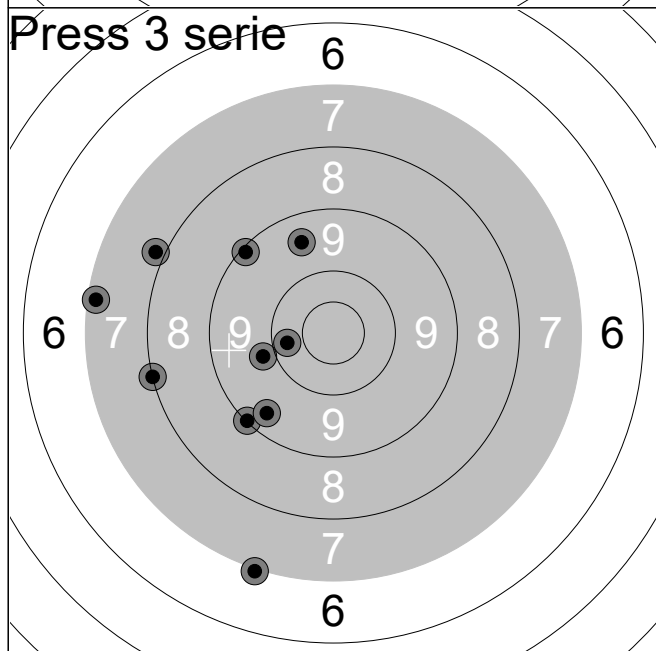
2:09m	10.2	↗
2:28m	6.8	↓
2:51m	8.8	→
3:16m	7.1	↗
3:52m	8.3	↓
24.7s	7.1	↖
50.0s	9.2	→
1:14m	8.5	↓
1:45m	8.3	↓
2:15m	9.4	→
<b>Serie</b>	<b>80 ( 0x)</b>	
<b>Total</b>	<b>241 ( 2x)</b>	



	56.1s	7.5	←
	1:33m	9.1	↓
	2:38m	6.8	←
	3:12m	7.9	←
	3:49m	9.4	↖
	28.1s	9.4	↗
	1:42m	9.2	↑
	2:15m	9.9	↖
	2:50m	7.7	↓
	3:31m	8.8	←
<b>Serie</b>			<b>80 ( 0x)</b>
<b>Total</b>			<b>80 ( 0x)</b>



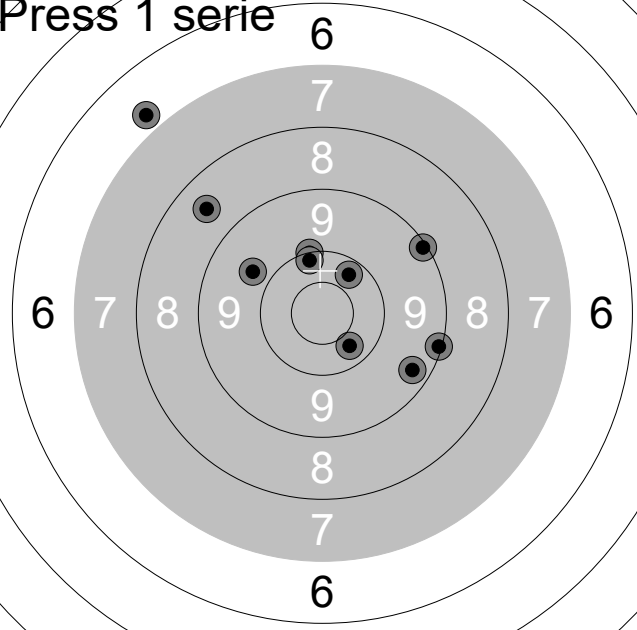
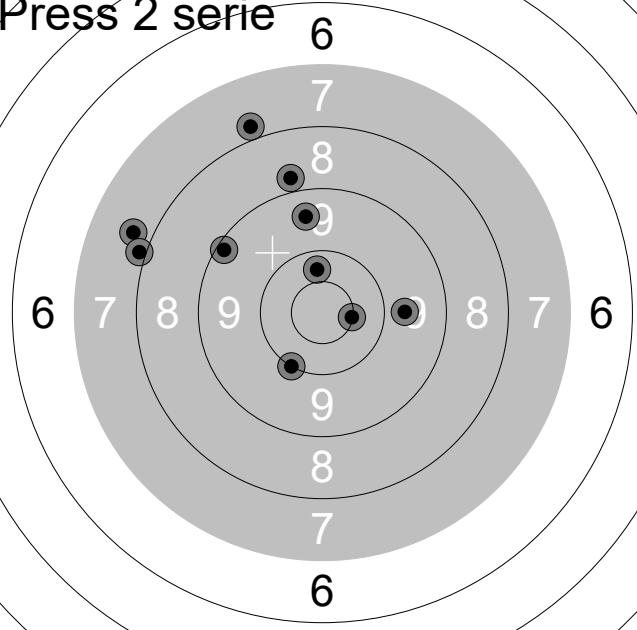
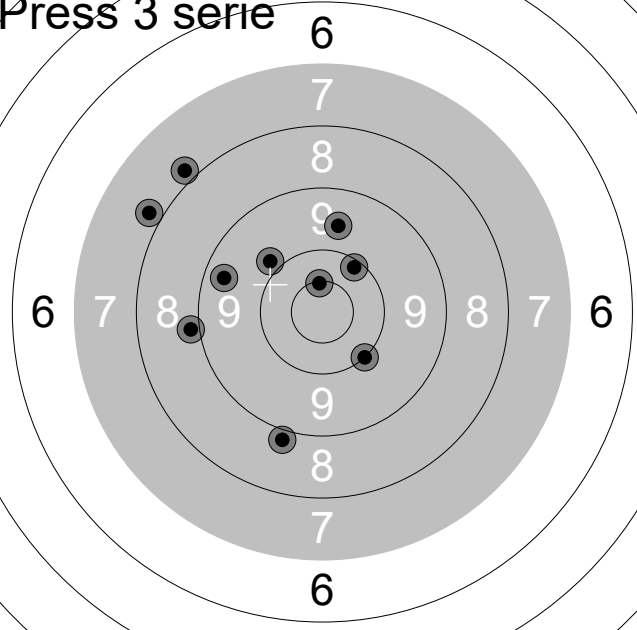
	30.1s	7.0	←
	1:19m	7.2	←
	2:15m	9.6	↓
	3:00m	8.4	↖
	3:35m	9.3	←
	19.1s	6.5	←
	59.1s	8.4	↓
	1:50m	9.0	↖
	2:42m	9.4	←
	3:26m	9.0	↑
<b>Serie</b>			<b>81 ( 0x)</b>
<b>Total</b>			<b>161 ( 0x)</b>

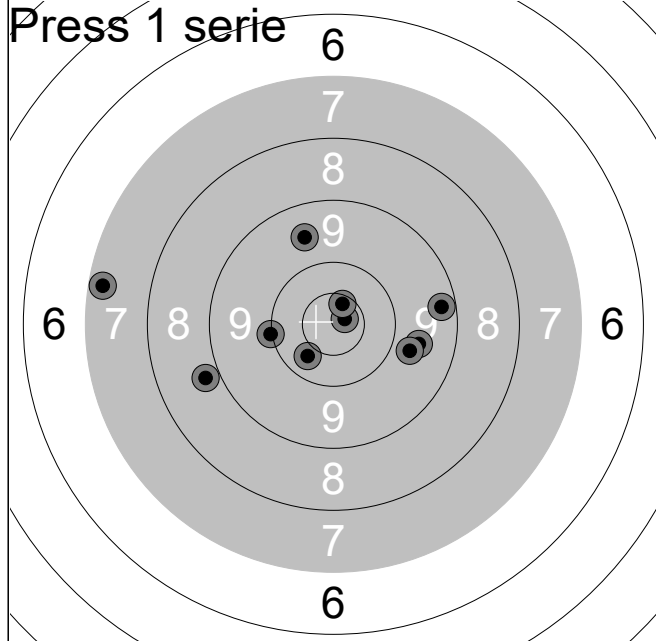


	23.0s	9.5	↑
	1:07m	7.0	↓
	1:50m	8.1	←
	2:48m	10.3	←
	3:33m	9.1	↖
	25.5s	9.4	↖
	1:23m	7.2	←
	2:06m	9.9	←
	2:48m	7.9	↖
	3:28m	9.1	↖
<b>Serie</b>			<b>84 ( 0x)</b>
<b>Total</b>			<b>245 ( 0x)</b>

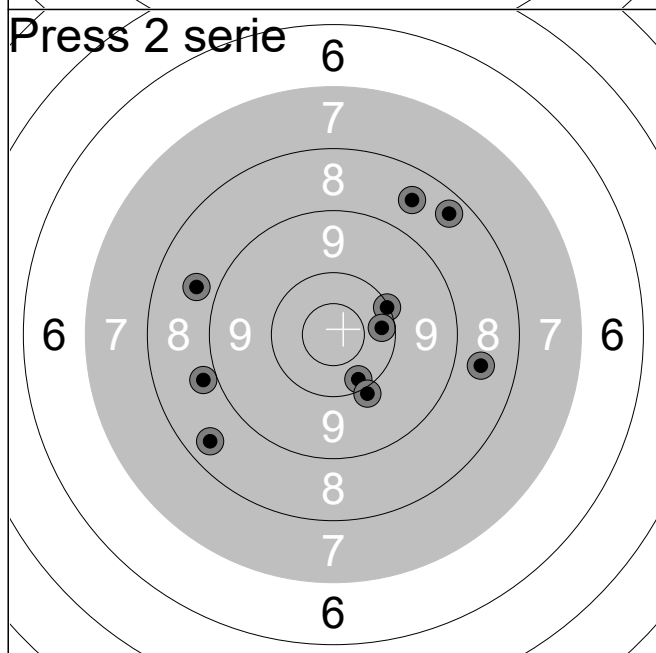
23.06.2019	NM bane 2019	NM Pistol 2019
------------	--------------	----------------

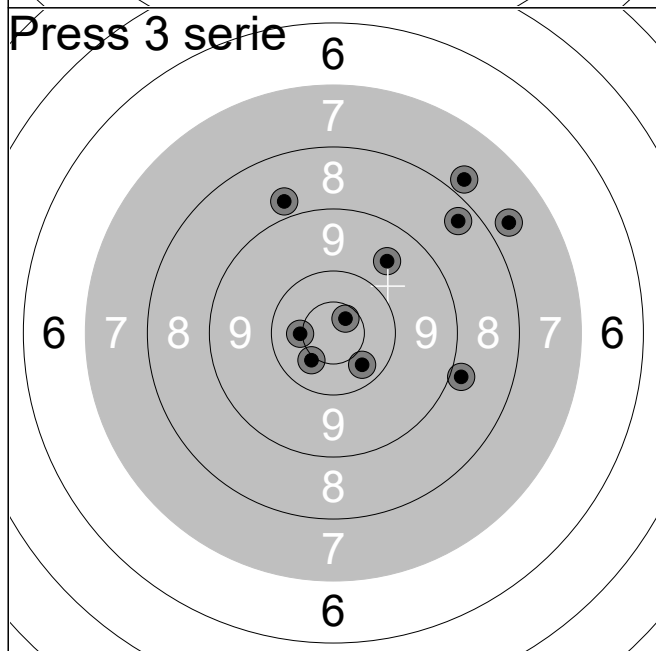
<b>Press 1 serie</b> 	<table style="width:100%; border-collapse: collapse;"> <tr><td>19.8s</td><td>10.1</td><td>↑</td></tr> <tr><td>47.4s</td><td>9.1</td><td>→</td></tr> <tr><td>1:21m</td><td>10.2</td><td>↑</td></tr> <tr><td>1:45m</td><td>9.1</td><td>↗</td></tr> <tr><td>2:25m</td><td>9.3</td><td>↘</td></tr> <tr><td>29.6s</td><td>10.3</td><td>↗</td></tr> <tr><td>56.9s</td><td>6.8</td><td>↗</td></tr> <tr><td>1:40m</td><td>9.8</td><td>↗</td></tr> <tr><td>2:31m</td><td>8.5</td><td>↗</td></tr> <tr><td>2:49m</td><td>10.3</td><td>↘</td></tr> <tr><td colspan="2"><b>Serie</b></td><td><b>90 ( 0x)</b></td></tr> <tr><td colspan="2"><b>Total</b></td><td><b>90 ( 0x)</b></td></tr> </table>	19.8s	10.1	↑	47.4s	9.1	→	1:21m	10.2	↑	1:45m	9.1	↗	2:25m	9.3	↘	29.6s	10.3	↗	56.9s	6.8	↗	1:40m	9.8	↗	2:31m	8.5	↗	2:49m	10.3	↘	<b>Serie</b>		<b>90 ( 0x)</b>	<b>Total</b>		<b>90 ( 0x)</b>
19.8s	10.1	↑																																			
47.4s	9.1	→																																			
1:21m	10.2	↑																																			
1:45m	9.1	↗																																			
2:25m	9.3	↘																																			
29.6s	10.3	↗																																			
56.9s	6.8	↗																																			
1:40m	9.8	↗																																			
2:31m	8.5	↗																																			
2:49m	10.3	↘																																			
<b>Serie</b>		<b>90 ( 0x)</b>																																			
<b>Total</b>		<b>90 ( 0x)</b>																																			
<b>Press 2 serie</b> 	<table style="width:100%; border-collapse: collapse;"> <tr><td>26.8s</td><td>9.7</td><td>→</td></tr> <tr><td>57.3s</td><td>7.8</td><td>←</td></tr> <tr><td>1:23m</td><td>10.5x</td><td>→</td></tr> <tr><td>1:54m</td><td>9.5</td><td>↑</td></tr> <tr><td>3:00m</td><td>8.8</td><td>↑</td></tr> <tr><td>32.7s</td><td>7.8</td><td>↑</td></tr> <tr><td>1:07m</td><td>10.3</td><td>↑</td></tr> <tr><td>1:51m</td><td>9.2</td><td>↖</td></tr> <tr><td>2:25m</td><td>7.9</td><td>←</td></tr> <tr><td>2:56m</td><td>10.0</td><td>↘</td></tr> <tr><td colspan="2"><b>Serie</b></td><td><b>86 ( 1x)</b></td></tr> <tr><td colspan="2"><b>Total</b></td><td><b>176 ( 1x)</b></td></tr> </table>	26.8s	9.7	→	57.3s	7.8	←	1:23m	10.5x	→	1:54m	9.5	↑	3:00m	8.8	↑	32.7s	7.8	↑	1:07m	10.3	↑	1:51m	9.2	↖	2:25m	7.9	←	2:56m	10.0	↘	<b>Serie</b>		<b>86 ( 1x)</b>	<b>Total</b>		<b>176 ( 1x)</b>
26.8s	9.7	→																																			
57.3s	7.8	←																																			
1:23m	10.5x	→																																			
1:54m	9.5	↑																																			
3:00m	8.8	↑																																			
32.7s	7.8	↑																																			
1:07m	10.3	↑																																			
1:51m	9.2	↖																																			
2:25m	7.9	←																																			
2:56m	10.0	↘																																			
<b>Serie</b>		<b>86 ( 1x)</b>																																			
<b>Total</b>		<b>176 ( 1x)</b>																																			
<b>Press 3 serie</b> 	<table style="width:100%; border-collapse: collapse;"> <tr><td>23.2s</td><td>10.2</td><td>↗</td></tr> <tr><td>48.1s</td><td>10.5x</td><td>↑</td></tr> <tr><td>1:12m</td><td>8.9</td><td>←</td></tr> <tr><td>1:40m</td><td>10.0</td><td>↘</td></tr> <tr><td>2:14m</td><td>7.8</td><td>↗</td></tr> <tr><td>15.1s</td><td>9.6</td><td>↑</td></tr> <tr><td>42.3s</td><td>7.9</td><td>↗</td></tr> <tr><td>1:04m</td><td>9.4</td><td>↖</td></tr> <tr><td>1:51m</td><td>8.9</td><td>↘</td></tr> <tr><td>2:22m</td><td>9.9</td><td>↗</td></tr> <tr><td colspan="2"><b>Serie</b></td><td><b>87 ( 1x)</b></td></tr> <tr><td colspan="2"><b>Total</b></td><td><b>263 ( 2x)</b></td></tr> </table>	23.2s	10.2	↗	48.1s	10.5x	↑	1:12m	8.9	←	1:40m	10.0	↘	2:14m	7.8	↗	15.1s	9.6	↑	42.3s	7.9	↗	1:04m	9.4	↖	1:51m	8.9	↘	2:22m	9.9	↗	<b>Serie</b>		<b>87 ( 1x)</b>	<b>Total</b>		<b>263 ( 2x)</b>
23.2s	10.2	↗																																			
48.1s	10.5x	↑																																			
1:12m	8.9	←																																			
1:40m	10.0	↘																																			
2:14m	7.8	↗																																			
15.1s	9.6	↑																																			
42.3s	7.9	↗																																			
1:04m	9.4	↖																																			
1:51m	8.9	↘																																			
2:22m	9.9	↗																																			
<b>Serie</b>		<b>87 ( 1x)</b>																																			
<b>Total</b>		<b>263 ( 2x)</b>																																			



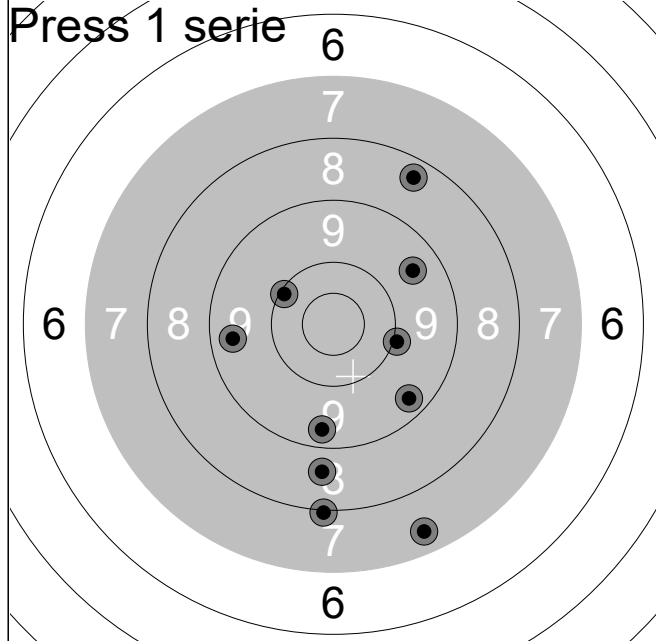
18.0s	8.8	←
40.1s	10.4	↓
1:33m	10.8x	→
2:03m	7.3	←
2:34m	9.3	→
15.8s	9.6	→
42.2s	9.6	↑
1:06m	10.0	←
1:29m	9.8	→
2:21m	10.6x	↑
<b>Serie</b>	<b>91 ( 2x)</b>	
<b>Total</b>	<b>91 ( 2x)</b>	



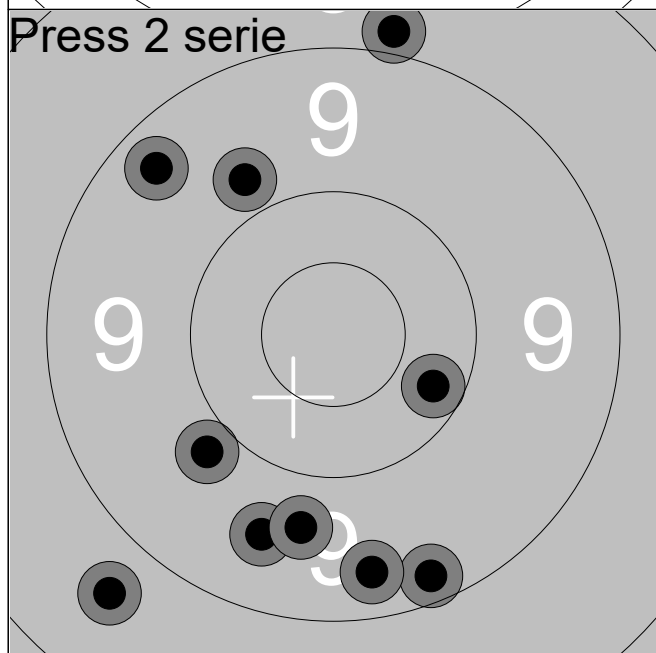
14.1s	8.7	←
36.2s	10.2	↓
1:01m	8.4	←
1:24m	10.1	→
1:49m	10.0	↓
12.8s	8.5	↑
34.3s	10.2	→
1:22m	8.4	↗
1:54m	8.8	←
2:22m	8.6	→
<b>Serie</b>	<b>88 ( 0x)</b>	
<b>Total</b>	<b>179 ( 2x)</b>	



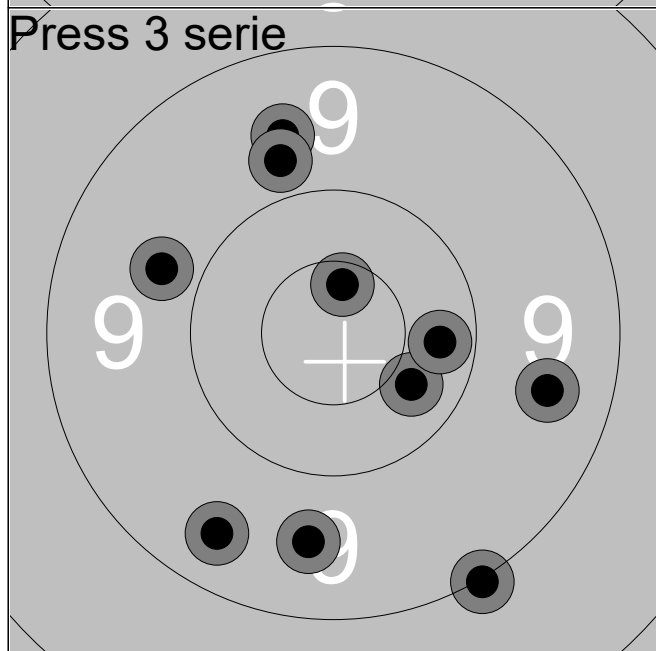
9.58s	9.6	↗
31.3s	10.7x	↗
55.4s	7.8	↗
1:18m	10.5x	←
2:07m	10.3	↓
11.5s	8.9	→
36.2s	10.4x	↓
1:00m	7.7	↗
2:10m	8.8	↑
2:35m	8.4	↗
<b>Serie</b>	<b>87 ( 3x)</b>	
<b>Total</b>	<b>266 ( 5x)</b>	



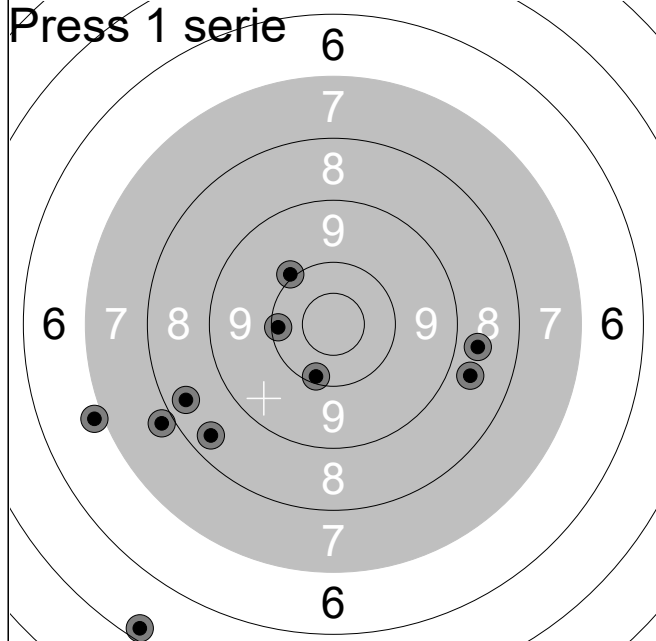
	25.0s	9.4			↘
	58.5s	8.0			↓
	1:33m	9.5			↗
	2:24m	7.4			↓
	2:53m	8.7			↓
	28.0s	9.4			←
	58.1s	8.4			↗
	1:40m	10.1			↖
	2:17m	9.4			↓
	3:03m	10.0			→
<b>Serie</b>					<b>87 ( 0x)</b>
<b>Total</b>					<b>87 ( 0x)</b>



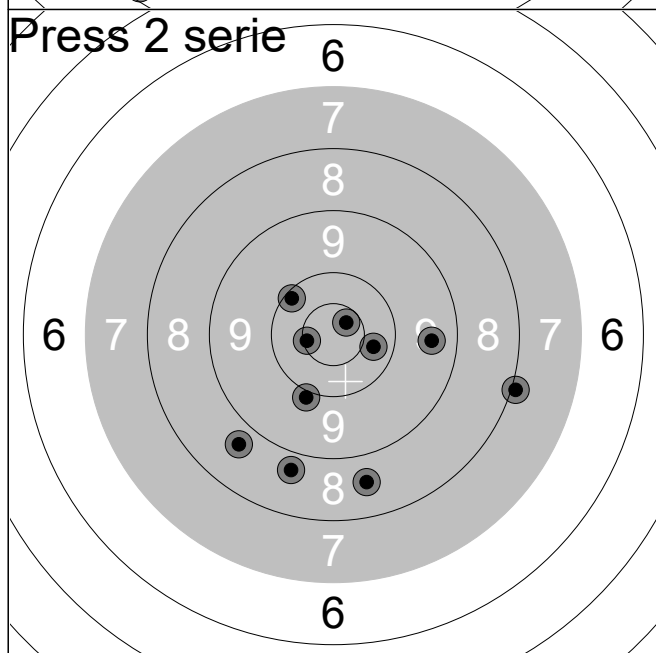
	25.6s	9.2			↓
	48.7s	9.4			↓
	1:27m	8.7			↘
	1:57m	9.6			↓
	2:51m	9.4			↗
	23.3s	9.9			↘
	53.7s	8.9			↑
	1:27m	9.8			↗
	2:06m	9.7			↓
	2:46m	10.2			↘
<b>Serie</b>					<b>89 ( 0x)</b>
<b>Total</b>					<b>176 ( 0x)</b>



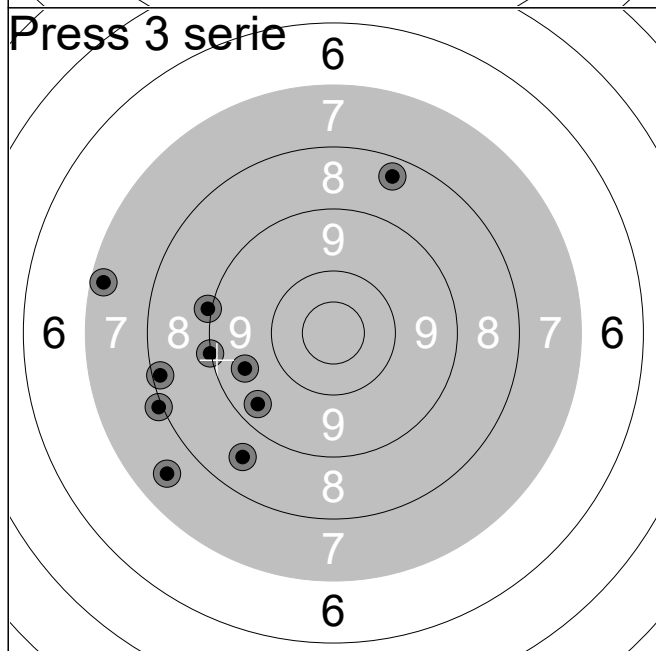
	28.1s	10.4			↘
	1:01m	9.6			↓
	1:39m	9.6			↑
	2:28m	10.6x			↑
	3:11m	9.4			↘
	36.6s	9.8			←
	1:16m	9.8			↑
	1:51m	9.0			↓
	2:27m	10.3			→
	3:18m	9.5			↘
<b>Serie</b>					<b>93 ( 1x)</b>
<b>Total</b>					<b>269 ( 1x)</b>



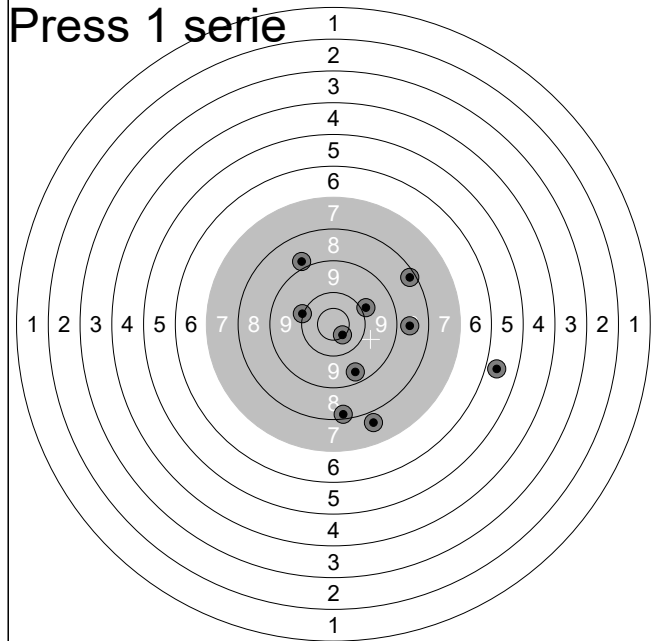
	13.1s	8.4	↙
	40.4s	7.9	↙
	1:21m	10.1	←
	1:44m	8.7	→
	2:33m	6.9	↙
	19.1s	8.7	→
	42.1s	5.2	↘
	1:04m	8.4	↙
	1:25m	10.0	↗
	1:50m	10.1	↘
<b>Serie</b>			<b>80 ( 0x)</b>
<b>Total</b>			<b>80 ( 0x)</b>



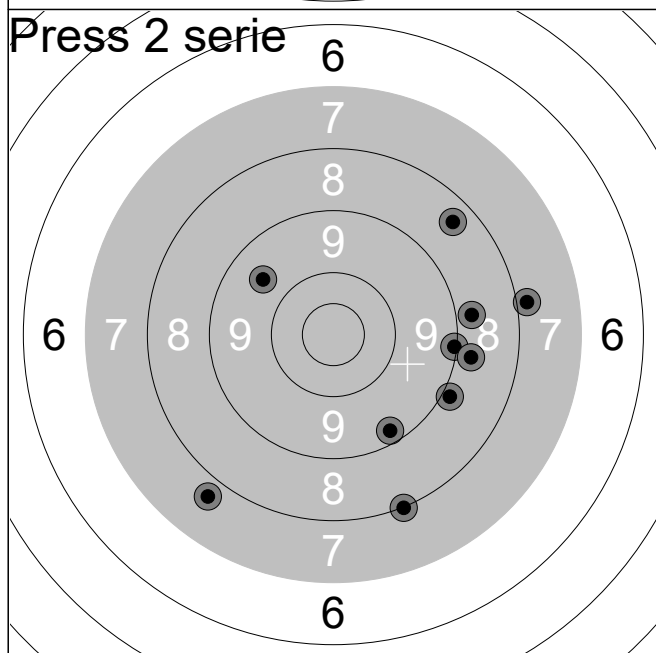
	23.1s	8.8	↘
	41.6s	10.0	↘
	1:27m	8.6	↘
	1:52m	8.7	↙
	2:19m	10.1	↗
	11.6s	8.0	→
	34.0s	10.7x	↗
	55.5s	10.3	→
	1:18m	9.5	→
	1:46m	10.6x	←
<b>Serie</b>			<b>91 ( 2x)</b>
<b>Total</b>			<b>171 ( 2x)</b>



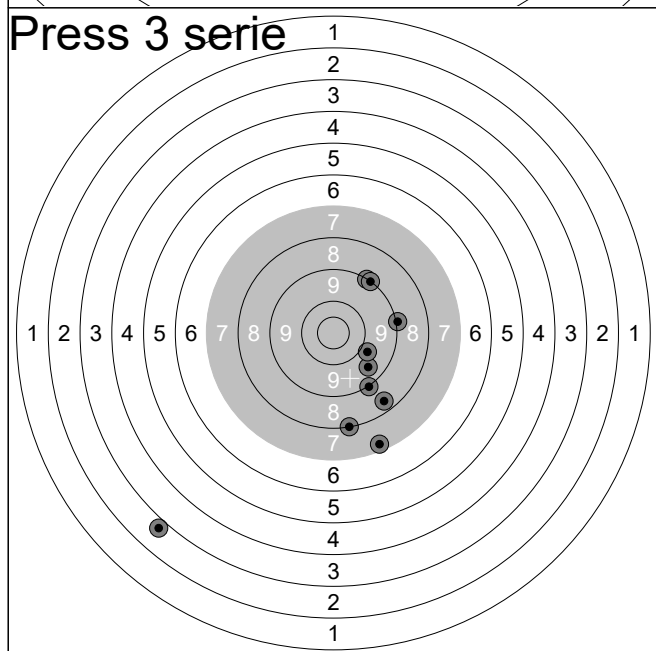
	7.94s	9.0	←
	37.7s	8.0	←
	55.9s	9.4	↘
	1:16m	9.5	←
	1:39m	8.6	↘
	7.76s	9.0	←
	42.4s	7.6	↘
	1:01m	7.3	←
	1:22m	8.4	↗
	1:45m	8.2	←
<b>Serie</b>			<b>82 ( 0x)</b>
<b>Total</b>			<b>253 ( 2x)</b>



	18.3s	10.0			↖
	1:02m	5.7			→
	1:34m	9.4			↙
	2:11m	8.2			↗
	2:55m	10.5x			↙
	16.7s	7.7			↙
	1:01m	8.2			↙
	1:37m	8.8			↗
	2:24m	8.6			→
	3:29m	9.9			↗
<b>Serie</b>					<b>82 ( 1x)</b>
<b>Total</b>					<b>82 ( 1x)</b>

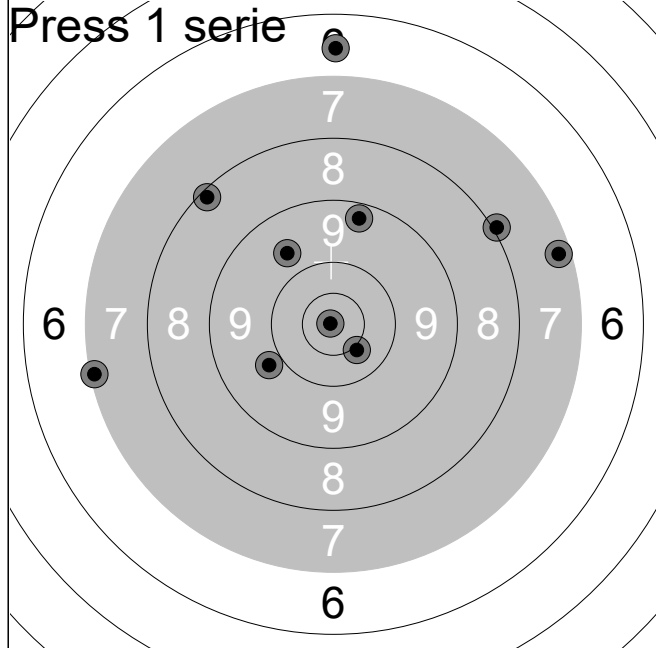


	25.9s	7.9			→
	1:04m	9.6			↗
	1:47m	9.3			↙
	2:35m	9.1			→
	3:18m	8.8			→
	25.4s	8.0			↙
	1:22m	7.8			↙
	1:55m	8.8			→
	2:43m	8.9			↙
	3:33m	8.4			↗
<b>Serie</b>					<b>81 ( 0x)</b>
<b>Total</b>					<b>163 ( 1x)</b>

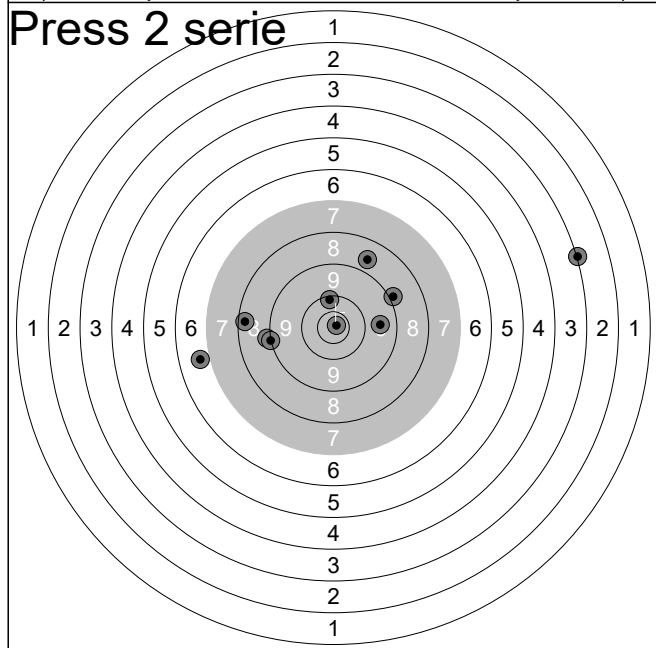


	21.3s	9.5			↙
	1:02m	2.8			↙
	1:50m	8.1			↙
	2:19m	9.1			↗
	3:05m	7.3			↙
	16.0s	9.8			↙
	57.5s	9.0			→
	1:39m	8.4			↙
	2:25m	9.1			↗
	3:03m	9.0			↙
<b>Serie</b>					<b>79 ( 0x)</b>
<b>Total</b>					<b>242 ( 1x)</b>

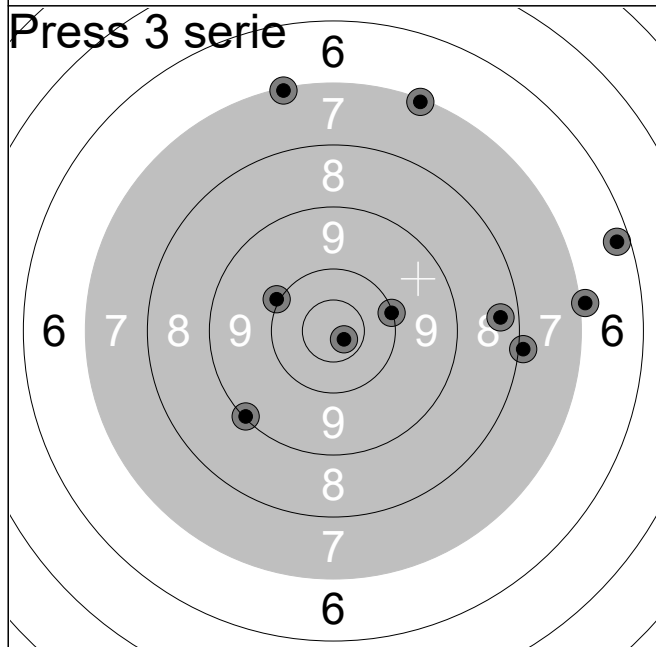




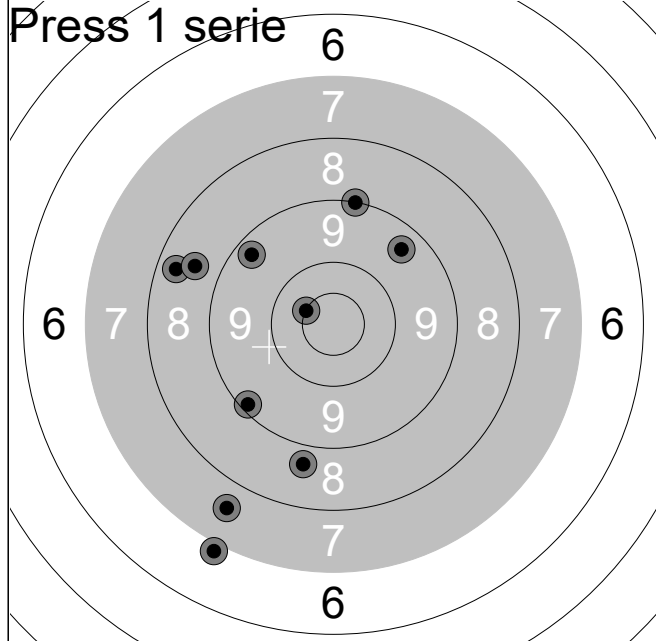
18.4s	9.7	↗
54.4s	8.2	↗
1:44m	10.9x	←
2:17m	10.4x	↘
2:53m	9.8	↙
13.2s	6.6	↑
41.9s	7.3	→
1:19m	9.3	↑
1:56m	7.1	←
2:40m	8.0	↗
<b>Serie</b>		<b>83 ( 2x)</b>
<b>Total</b>		<b>83 ( 2x)</b>



49.0s	8.9	←
1:20m	8.9	↗
1:56m	9.6	→
2:33m	9.0	←
3:11m	10.8x	↗
22.7s	8.7	↑
1:37m	8.3	←
2:09m	6.7	←
2:43m	10.1	↑
3:44m	3.0	→
<b>Serie</b>		<b>79 ( 1x)</b>
<b>Total</b>		<b>162 ( 3x)</b>

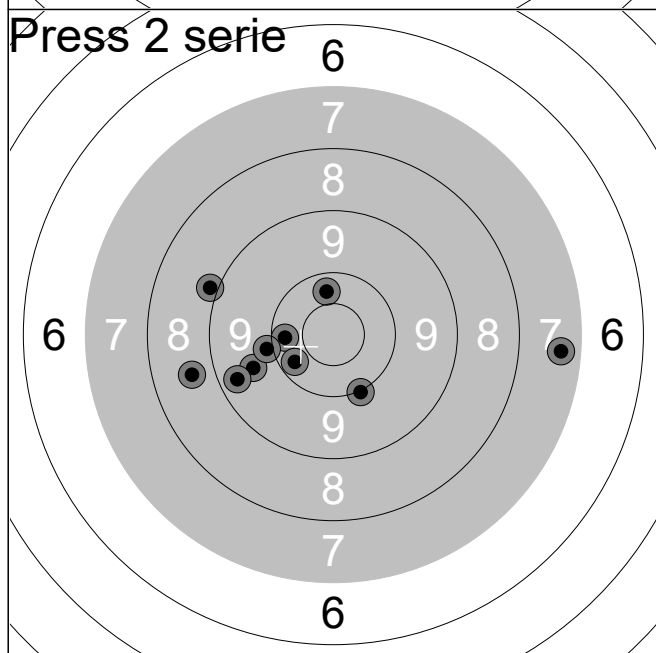


10.3s	7.1	↑
31.1s	9.1	↙
49.4s	10.7x	↘
1:07m	7.1	↑
1:25m	8.0	→
14.8s	8.4	→
35.6s	6.3	→
1:05m	10.0	↙
1:30m	7.0	→
1:54m	10.1	→
<b>Serie</b>		<b>82 ( 1x)</b>
<b>Total</b>		<b>244 ( 4x)</b>



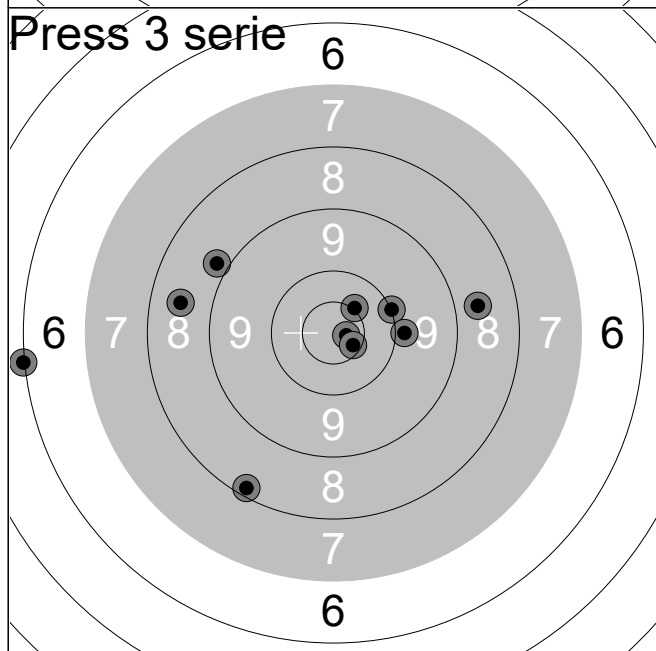
18.1s	8.4	↖
55.9s	9.2	↙
1:31m	10.5x	↖
2:00m	8.8	↓
2:34m	9.4	↗
18.2s	8.6	↖
48.0s	6.9	↓
1:11m	9.3	↖
1:50m	9.1	↑
2:36m	7.6	↓

Serie	83 ( 1x)
Total	83 ( 1x)



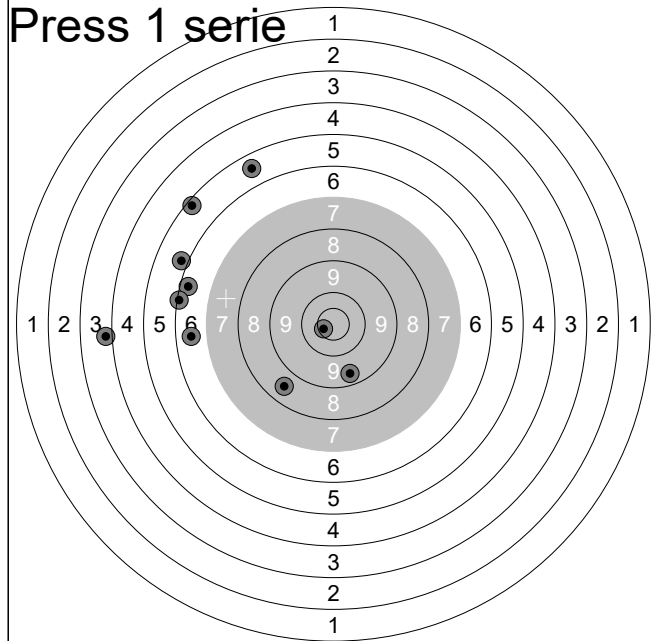
25.0s	10.2	←
1:02m	8.9	←
1:38m	7.4	→
2:13m	10.3	↙
2:54m	9.7	↙
34.0s	9.3	↙
1:01m	10.3	↑
1:47m	10.0	←
2:22m	10.0	↓
3:03m	8.7	←

Serie	91 ( 0x)
Total	174 ( 1x)

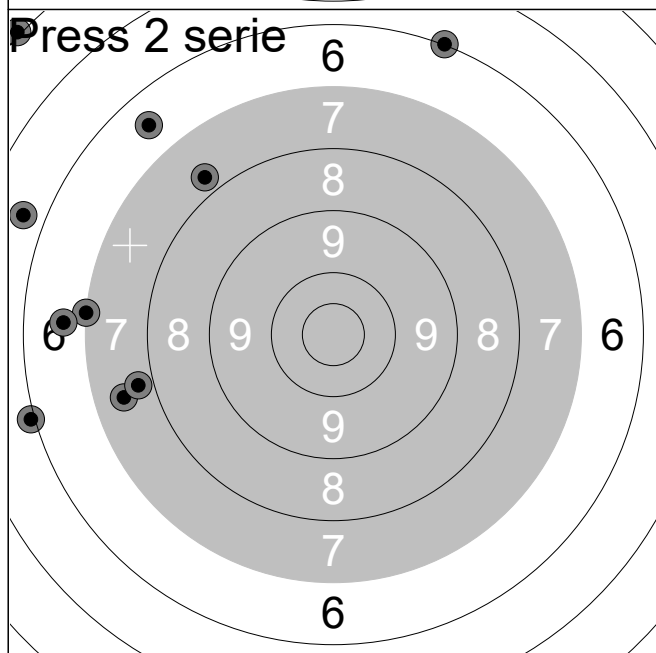


19.4s	8.2	↓
51.5s	8.9	↖
1:17m	10.5x	↗
1:49m	10.0	→
2:26m	9.9	→
22.7s	10.8x	→
1:03m	8.6	←
1:41m	8.7	→
2:10m	10.6x	↘
2:50m	6.0	←

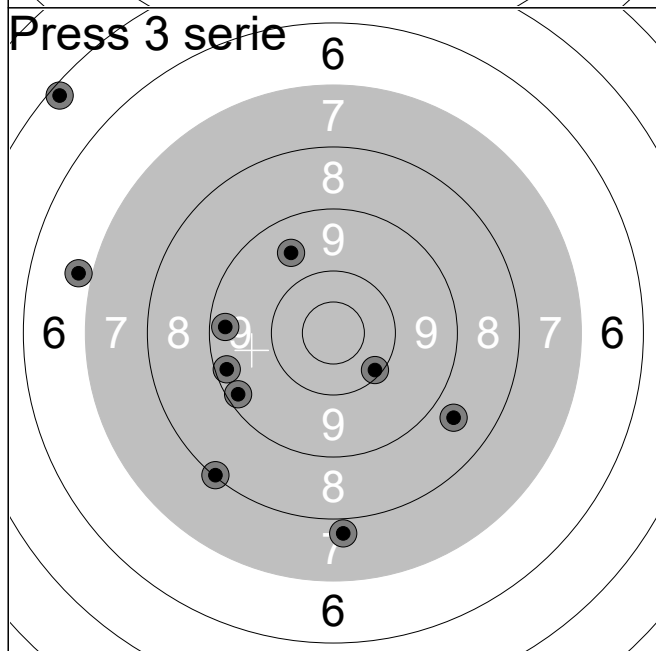
Serie	87 ( 3x)
Total	261 ( 4x)



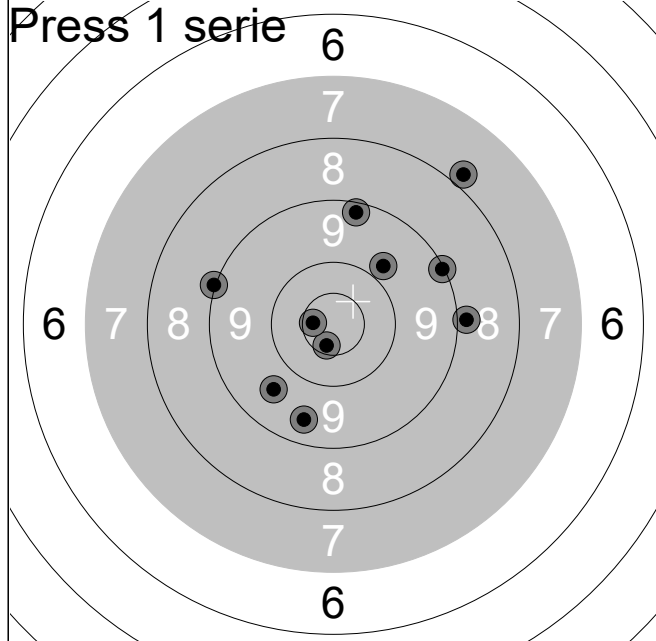
17.0s	6.3	←
30.9s	3.9	←
44.8s	5.2	↗
58.5s	5.9	↖
1:36m	10.6x	←
15.9s	6.1	←
33.2s	5.5	↗
47.0s	9.4	↓
1:11m	8.6	↘
1:36m	6.5	←
<b>Serie</b>		<b>63 ( 1x)</b>
<b>Total</b>		<b>63 ( 1x)</b>



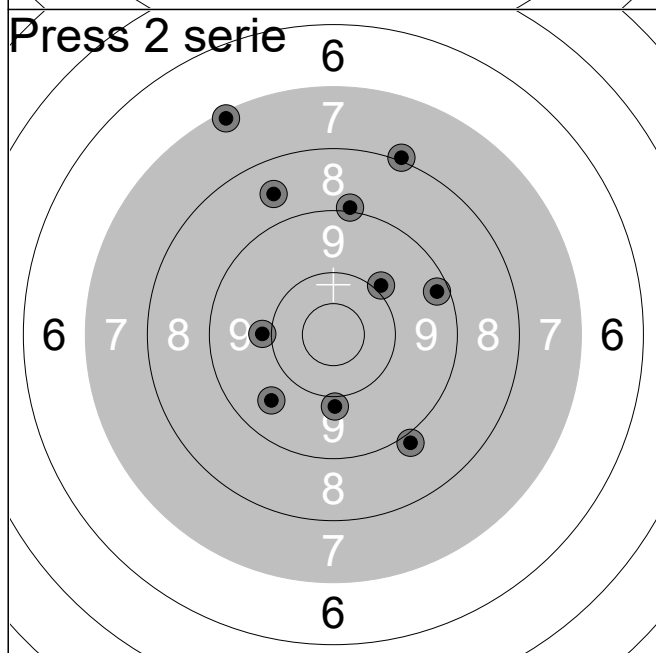
17.1s	4.0	↗
33.7s	6.0	↗
59.4s	5.7	←
1:18m	6.0	←
1:52m	7.1	←
12.9s	6.7	←
36.3s	6.6	↗
54.7s	7.5	←
1:23m	7.8	↗
1:51m	7.8	←
<b>Serie</b>		<b>61 ( 0x)</b>
<b>Total</b>		<b>124 ( 1x)</b>



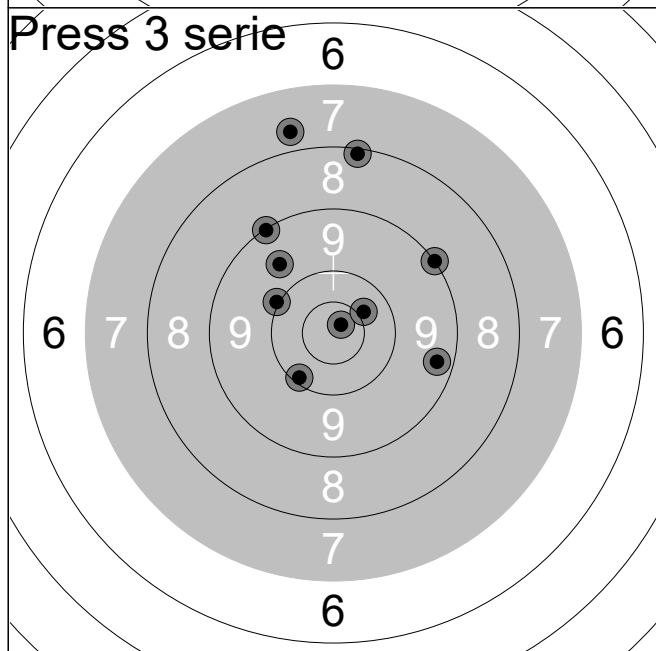
17.5s	9.6	↗
43.4s	9.2	←
1:00m	6.8	←
1:33m	10.1	↘
1:47m	5.2	↗
19.3s	9.2	←
34.5s	9.3	←
57.7s	8.1	↘
1:26m	8.7	↘
1:54m	7.8	↓
<b>Serie</b>		<b>80 ( 0x)</b>
<b>Total</b>		<b>204 ( 1x)</b>



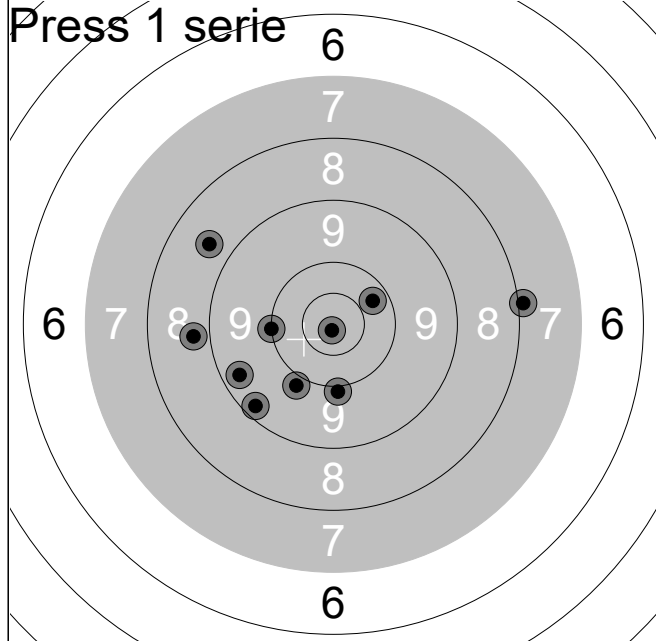
17.8s	8.9	→
43.9s	10.6x	↓
1:10m	9.8	↗
1:42m	10.7x	←
2:13m	9.5	↓
19.2s	7.9	↗
44.0s	9.1	↗
1:12m	9.2	↑
1:41m	9.6	↙
2:08m	9.0	←
<b>Serie</b>	<b>89 ( 2x)</b>	
<b>Total</b>	<b>89 ( 2x)</b>	



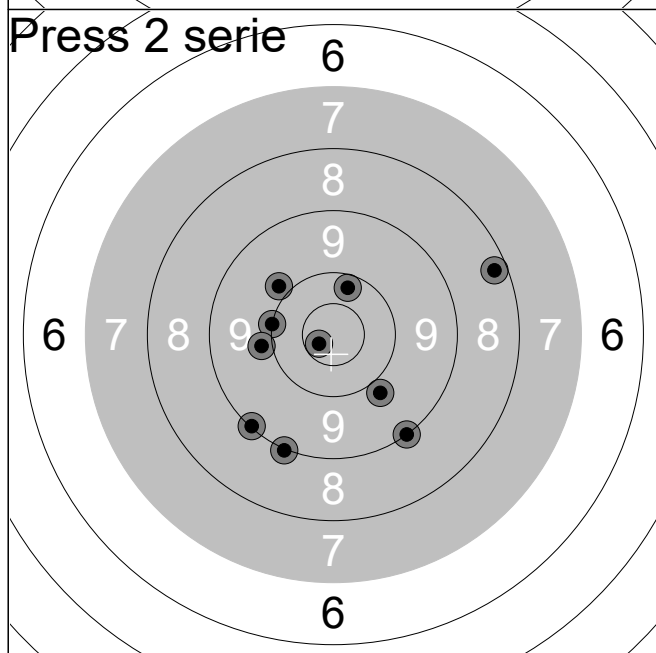
18.1s	8.6	↑
45.7s	9.6	↙
1:11m	9.2	↗
1:35m	10.0	↗
2:00m	9.0	↑
17.7s	8.0	↑
40.8s	7.2	↑
1:09m	8.9	↓
2:07m	9.9	↓
2:28m	9.9	←
<b>Serie</b>	<b>86 ( 0x)</b>	
<b>Total</b>	<b>175 ( 2x)</b>	



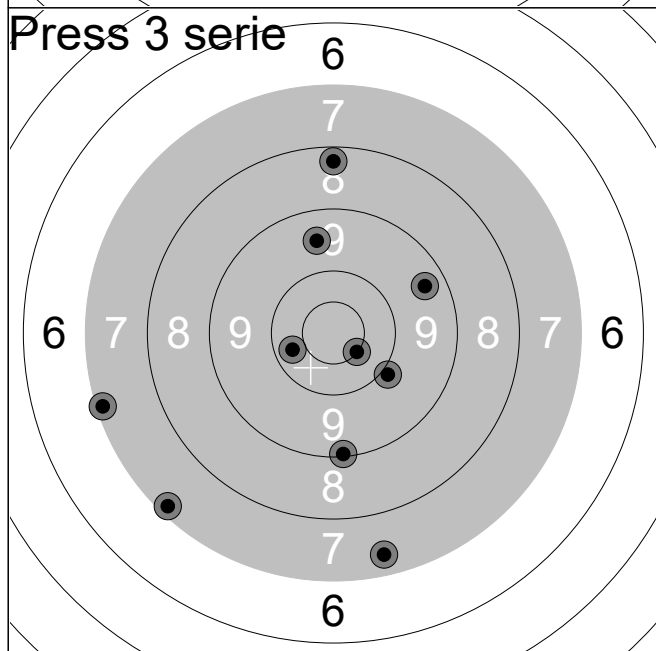
18.4s	7.7	↑
36.5s	10.8x	↗
52.6s	8.1	↑
1:08m	9.1	↗
1:25m	10.4x	↗
17.9s	9.1	↗
41.3s	10.1	↓
1:12m	9.3	→
1:33m	10.0	↙
1:52m	9.7	↗
<b>Serie</b>	<b>91 ( 2x)</b>	
<b>Total</b>	<b>266 ( 4x)</b>	



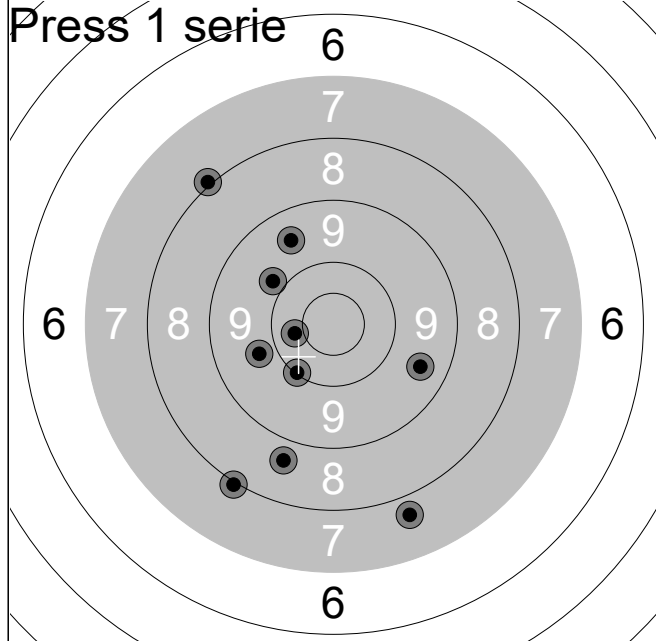
33.6s	9.9	↘
54.1s	9.2	↘
1:13m	10.0	←
1:39m	9.3	↙
2:22m	10.3	↗
13.0s	8.8	←
34.4s	8.7	↖
55.7s	10.9x	↓
1:18m	8.0	→
2:27m	10.0	↓
<b>Serie</b>	<b>91 ( 1x)</b>	
<b>Total</b>	<b>91 ( 1x)</b>	



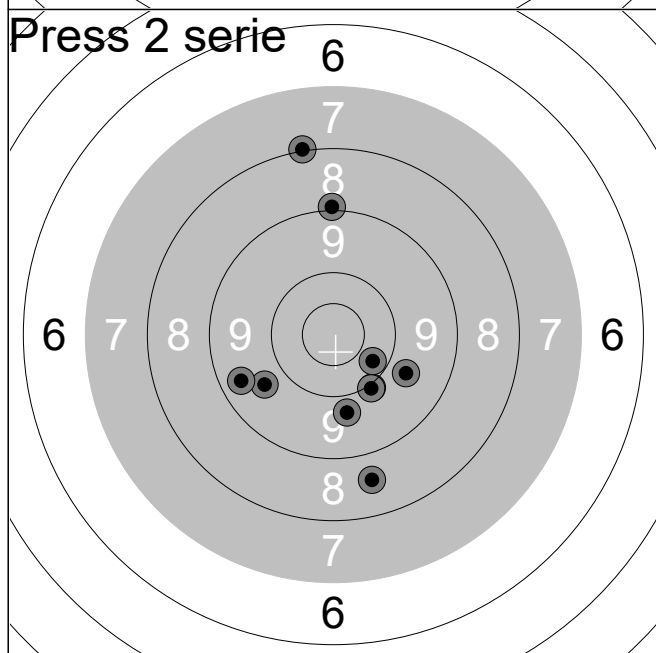
9.69s	10.2	↑
26.8s	9.9	↘
47.9s	9.1	↘
1:01m	9.1	↘
1:28m	9.9	↗
8.46s	9.0	↓
27.3s	10.7x	↙
52.6s	10.1	←
1:21m	9.9	←
1:46m	8.3	→
<b>Serie</b>	<b>92 ( 1x)</b>	
<b>Total</b>	<b>183 ( 2x)</b>	



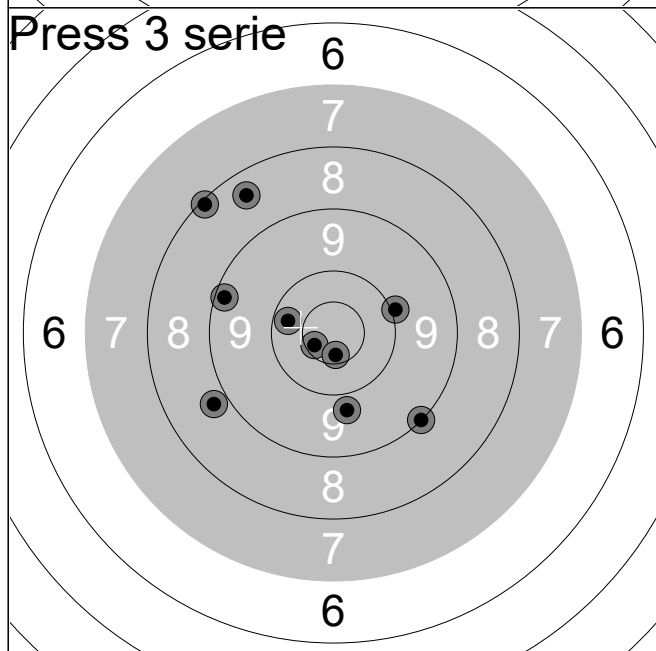
14.3s	9.1	↓
33.0s	10.5x	↘
52.6s	10.3	←
1:25m	10.0	↘
1:46m	7.4	↓
15.7s	9.4	↗
34.4s	9.6	↑
51.2s	7.2	↙
1:17m	7.2	←
1:34m	8.3	↑
<b>Serie</b>	<b>86 ( 1x)</b>	
<b>Total</b>	<b>269 ( 3x)</b>	



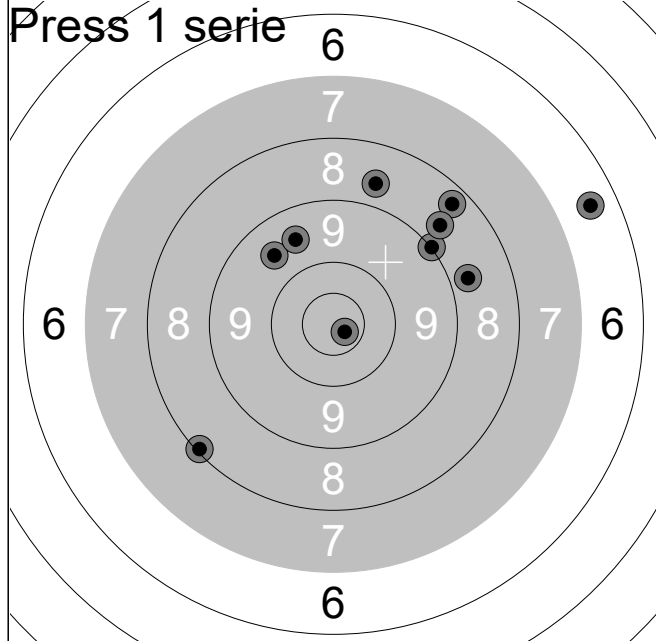
33.6s	8.0	↗
55.6s	8.0	↘
1:20m	9.5	↘
2:02m	9.5	↗
2:29m	8.7	↘
13.5s	10.1	↘
48.8s	7.7	↘
1:12m	9.9	↗
1:40m	9.8	↖
2:03m	10.4	↖
<b>Serie</b>	<b>87 ( 0x)</b>	
<b>Total</b>	<b>87 ( 0x)</b>	



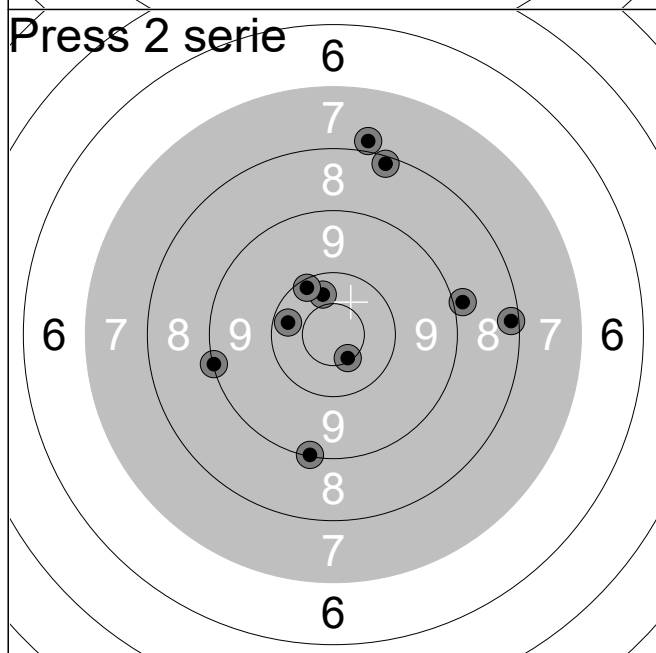
12.2s	9.7	↖
38.7s	8.6	↘
59.4s	9.4	↖
1:23m	8.0	↗
1:46m	10.0	↘
12.5s	9.0	↗
41.6s	10.3	↘
1:02m	9.8	↘
1:29m	10.0	↘
1:54m	9.7	↘
<b>Serie</b>	<b>91 ( 0x)</b>	
<b>Total</b>	<b>178 ( 0x)</b>	



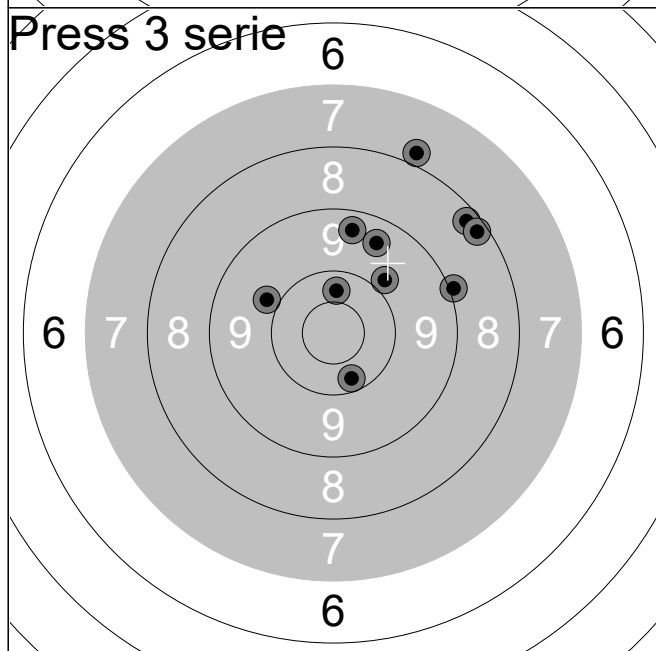
8.68s	9.8	↘
32.2s	10.3	↖
56.5s	10.6x	↖
1:22m	10.0	↗
1:49m	8.8	↖
10.6s	10.6x	↘
45.1s	8.4	↗
1:05m	8.1	↗
1:25m	9.2	↖
1:46m	9.1	↘
<b>Serie</b>	<b>91 ( 2x)</b>	
<b>Total</b>	<b>269 ( 2x)</b>	



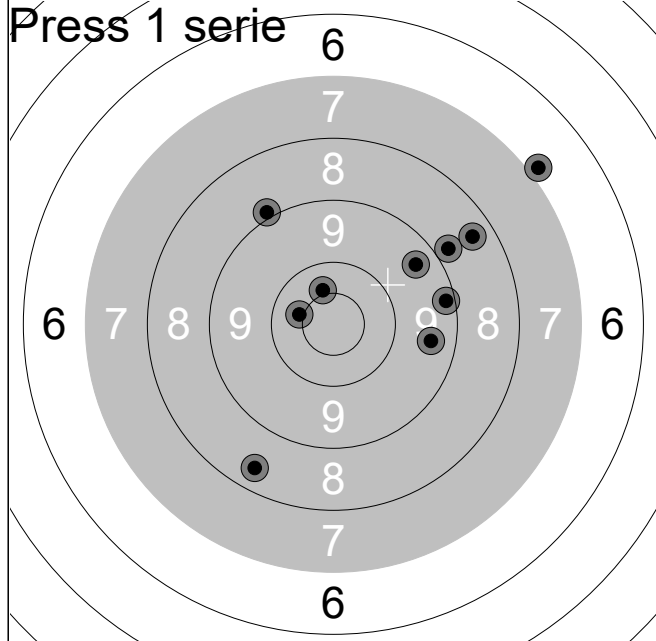
	24.6s	8.8	→
	1:11m	8.3	↗
	1:47m	10.7x	↘
	2:21m	8.7	↑
	2:50m	6.5	→
	8.18s	8.1	↙
	31.8s	9.6	↖
	58.8s	9.0	↗
	1:27m	9.6	↖
	2:12m	8.7	↗
<b>Serie</b>			<b>83 ( 1x)</b>
<b>Total</b>			<b>83 ( 1x)</b>



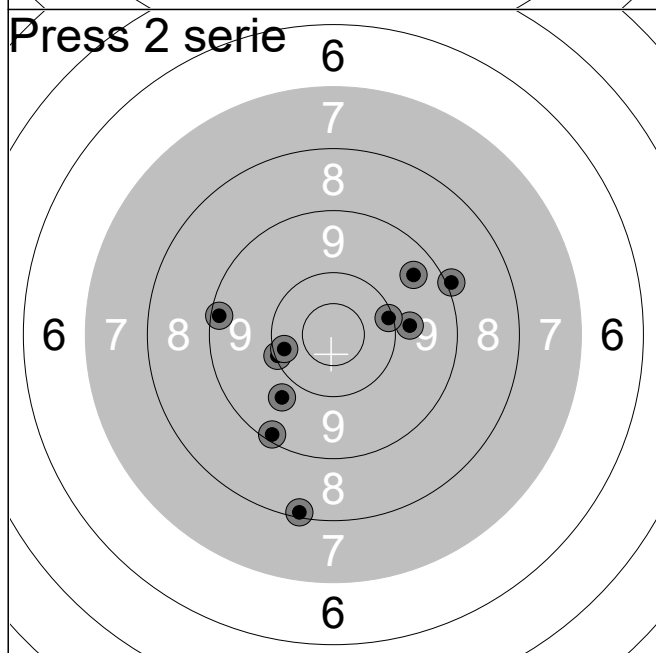
	19.6s	9.1	↓
	50.1s	10.6x	↘
	1:19m	10.3	↑
	1:54m	8.2	↑
	2:21m	8.2	→
	5.87s	8.9	→
	30.7s	10.3	←
	56.9s	9.1	←
	1:35m	10.2	↖
	2:12m	7.9	↑
<b>Serie</b>			<b>89 ( 1x)</b>
<b>Total</b>			<b>172 ( 2x)</b>



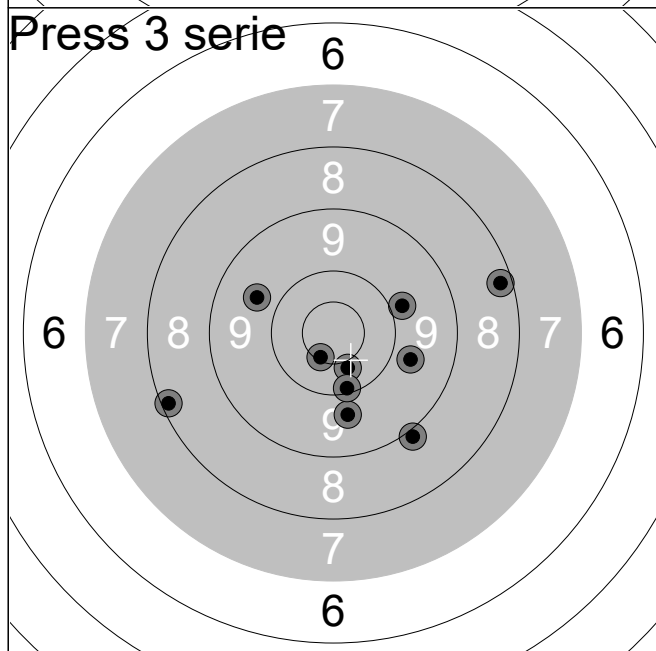
	18.3s	10.2	↓
	52.0s	7.9	↑
	1:19m	8.3	↗
	1:57m	9.4	↑
	2:24m	10.3	↑
	17.5s	9.9	↙
	55.7s	9.4	↑
	1:26m	9.0	→
	1:59m	9.9	↗
	2:36m	8.2	↗
<b>Serie</b>			<b>88 ( 0x)</b>
<b>Total</b>			<b>260 ( 2x)</b>



	1:06m	8.8	↗
	1:28m	8.4	↓
	2:52m	9.2	→
	3:12m	9.4	↗
	3:50m	10.4x	↖
	30.2s	6.9	↗
	46.0s	8.4	↗
	1:01m	9.0	↗
	1:46m	10.4x	↑
	2:06m	9.5	→
<b>Serie</b>			<b>86 ( 2x)</b>
<b>Total</b>			<b>86 ( 2x)</b>

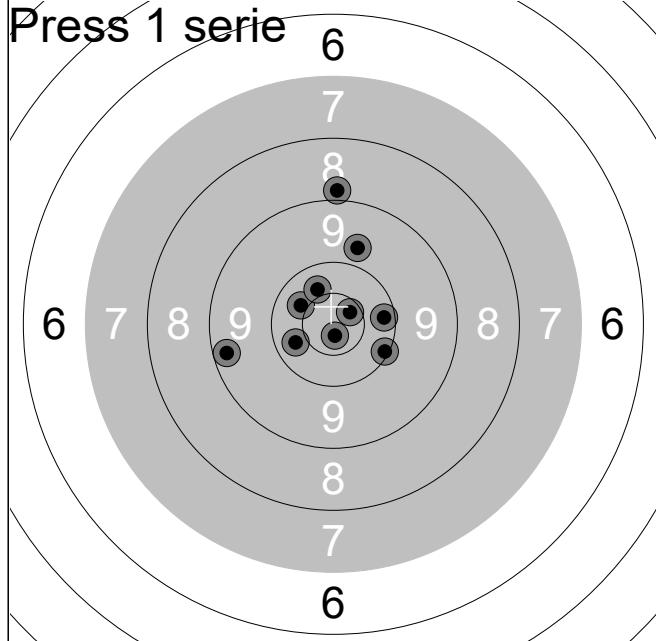


	13.9s	9.4	↗
	58.9s	10.1	↖
	1:21m	9.0	↗
	1:44m	9.8	→
	2:09m	9.7	↓
	20.5s	10.2	↖
	1:31m	9.2	↖
	1:52m	10.1	↗
	4:02m	9.2	↓
	4:24m	8.1	↓
<b>Serie</b>			<b>92 ( 0x)</b>
<b>Total</b>			<b>178 ( 2x)</b>

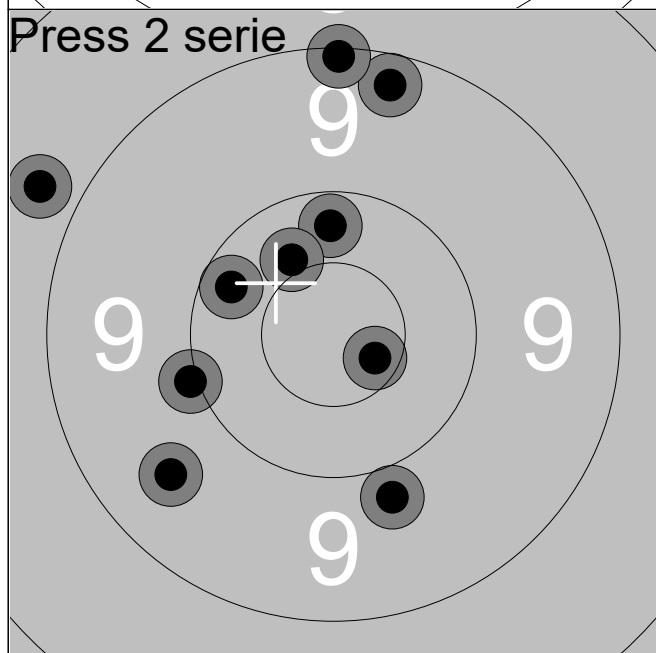


	47.9s	9.9	↗
	1:10m	9.7	→
	2:38m	10.5x	↓
	4:02m	9.7	↓
	4:31m	9.0	↓
	17.7s	8.2	↖
	1:44m	8.2	→
	2:05m	9.7	↖
	2:41m	10.4x	↓
	3:02m	10.1	↓
<b>Serie</b>			<b>91 ( 2x)</b>
<b>Total</b>			<b>269 ( 4x)</b>

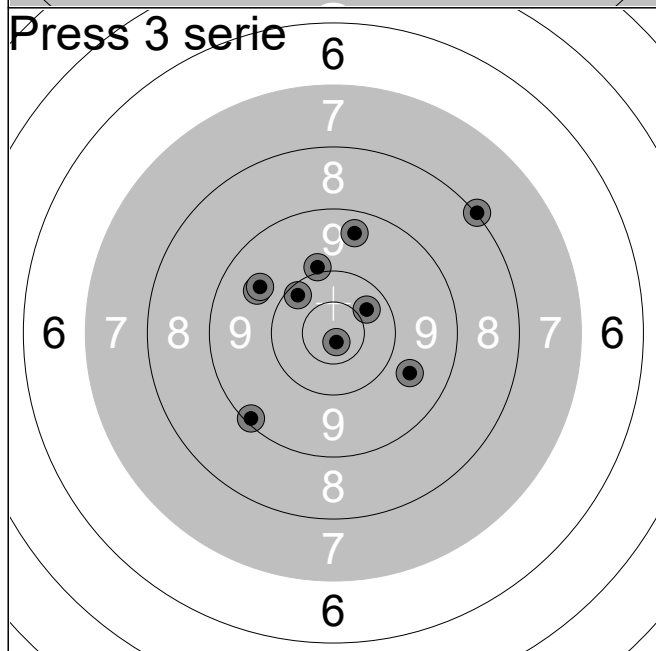




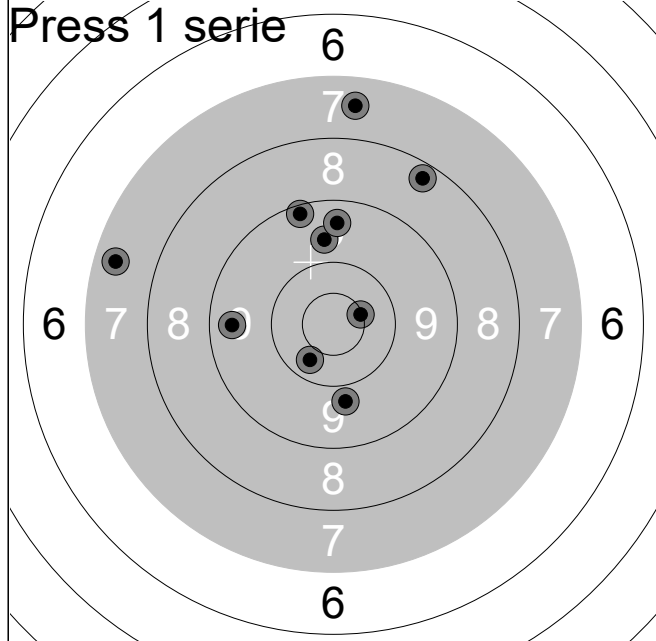
24.9s	9.3	←
59.2s	8.9	↑
1:42m	10.2	→
2:14m	10.3	←
2:48m	10.8x	↓
26.9s	10.6x	↗
58.2s	10.4x	↖
1:30m	10.4	↑
2:00m	10.1	↘
2:32m	9.8	↑
<b>Serie</b>	<b>96 ( 3x)</b>	
<b>Total</b>	<b>96 ( 3x)</b>	



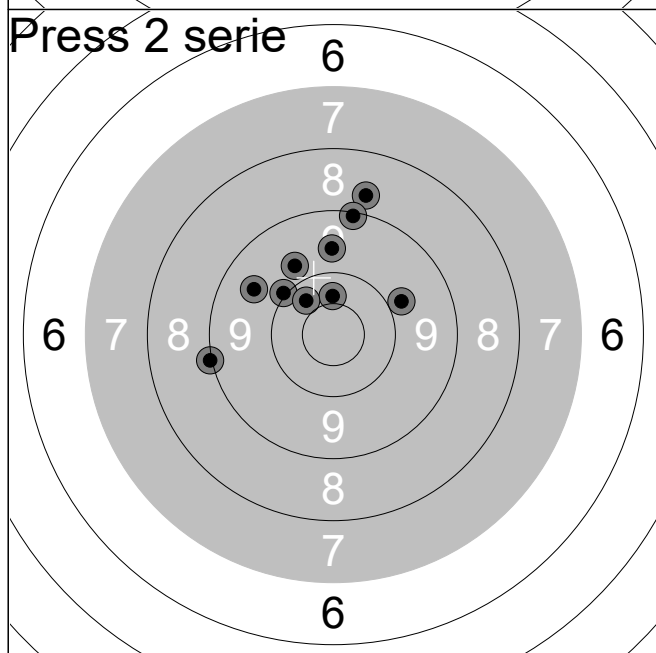
1:01m	9.6	↙
1:37m	10.3	↑
2:06m	10.6x	↘
2:33m	9.3	↑
3:45m	10.2	↖
28.6s	8.8	↖
1:06m	10.4x	↗
1:43m	9.1	↑
2:24m	10.0	←
2:57m	9.9	↓
<b>Serie</b>	<b>94 ( 2x)</b>	
<b>Total</b>	<b>190 ( 5x)</b>	



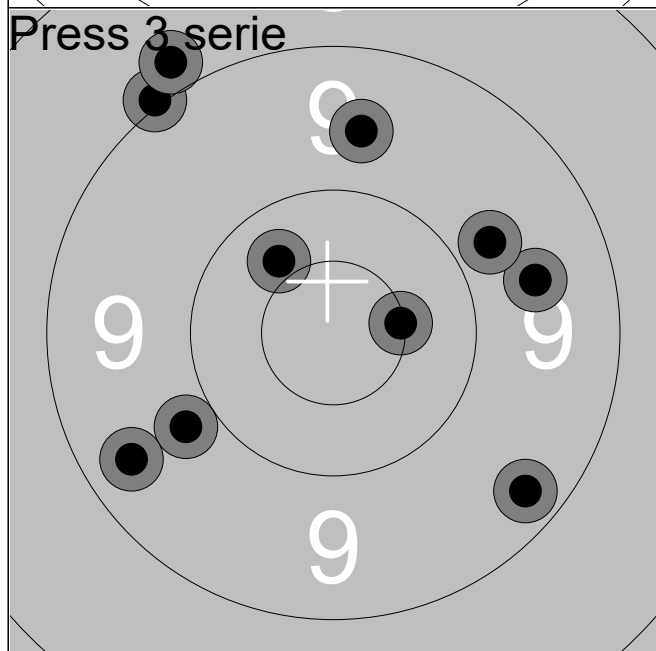
24.3s	9.6	↖
1:02m	9.4	↑
1:52m	10.4	↗
2:27m	9.7	↘
3:09m	10.8x	↓
28.9s	9.1	↙
1:01m	10.0	↑
1:35m	9.7	↖
2:15m	10.2	↗
2:50m	8.0	↗
<b>Serie</b>	<b>93 ( 1x)</b>	
<b>Total</b>	<b>283 ( 6x)</b>	



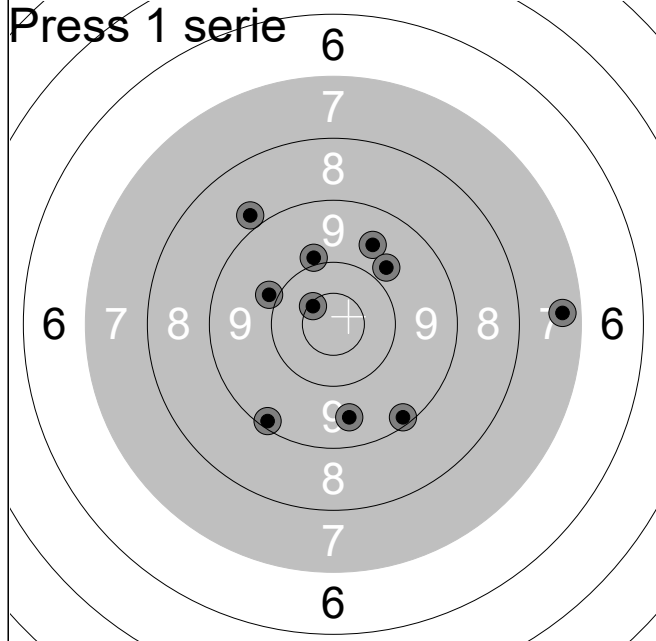
	15.4s	10.3	↙
	52.5s	7.5	↑
	1:21m	9.7	↑
	1:51m	10.5x	→
	3:02m	9.2	↑
	19.3s	7.4	←
	41.5s	9.4	↑
	1:11m	9.4	←
	1:39m	9.8	↓
	2:14m	8.3	↗
<b>Serie</b>			<b>87 ( 1x)</b>
<b>Total</b>			<b>87 ( 1x)</b>



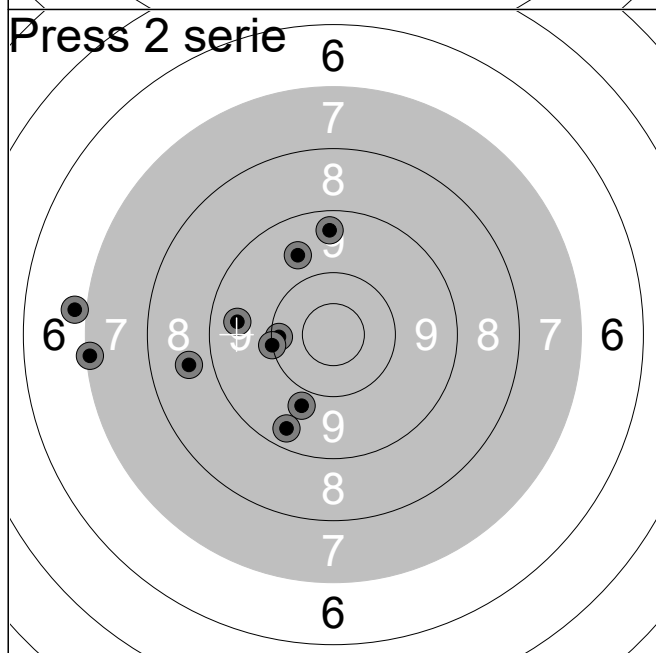
	17.8s	10.0	↖
	49.3s	9.6	↖
	1:16m	9.8	→
	2:06m	10.4	↑
	2:50m	9.7	↑
	27.1s	9.0	←
	55.6s	10.3	↖
	1:43m	8.8	↑
	2:22m	9.1	↑
	2:50m	9.8	↖
<b>Serie</b>			<b>92 ( 0x)</b>
<b>Total</b>			<b>179 ( 1x)</b>



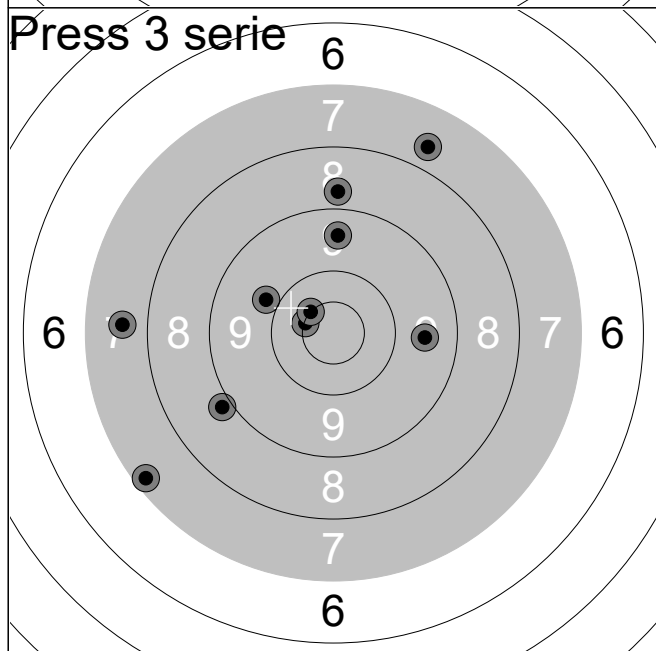
	19.6s	9.8	↙
	59.1s	10.5x	→
	1:31m	9.0	↗
	2:01m	10.4	↗
	2:40m	9.6	→
	23.3s	9.4	↙
	1:04m	9.6	↑
	1:44m	8.9	↗
	2:16m	9.3	↘
	2:49m	9.8	↗
<b>Serie</b>			<b>91 ( 1x)</b>
<b>Total</b>			<b>270 ( 2x)</b>



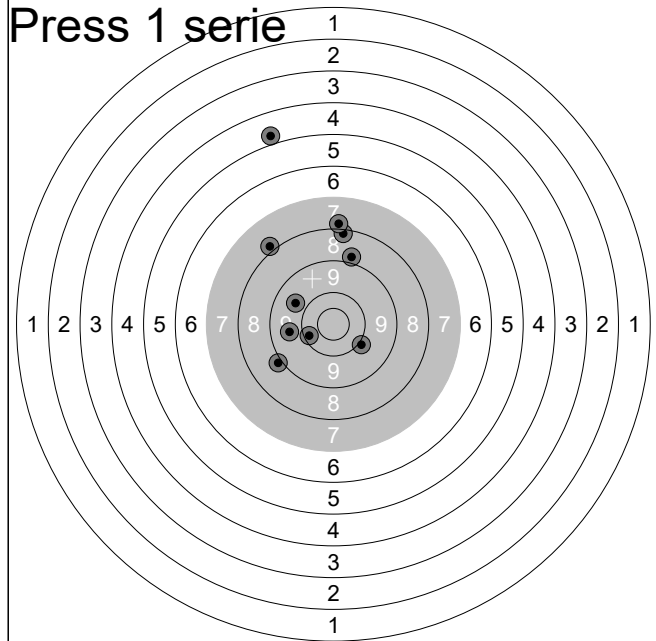
14.2s	7.4	→
53.1s	9.2	↓
1:25m	9.5	↓
2:06m	10.6x	↗
2:49m	8.9	↗
11.8s	9.9	↖
1:00m	9.9	↑
1:35m	9.6	↗
2:14m	9.8	↗
2:51m	9.2	↓
<b>Serie</b>	<b>88 ( 1x)</b>	
<b>Total</b>	<b>88 ( 1x)</b>	



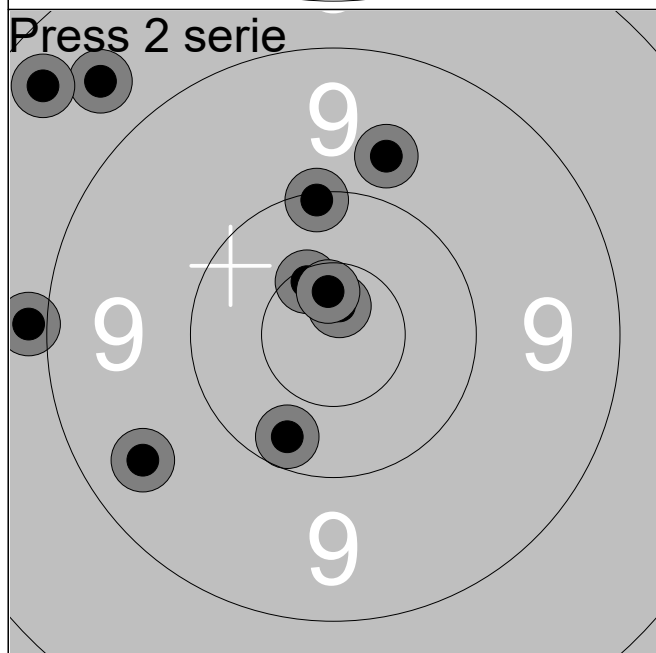
14.6s	7.1	←
48.2s	9.8	↓
1:33m	10.2	←
2:15m	8.7	←
2:55m	9.5	←
19.2s	6.9	←
47.7s	9.4	↓
1:25m	9.4	↑
2:07m	10.0	←
3:12m	9.7	↗
<b>Serie</b>	<b>86 ( 0x)</b>	
<b>Total</b>	<b>174 ( 1x)</b>	



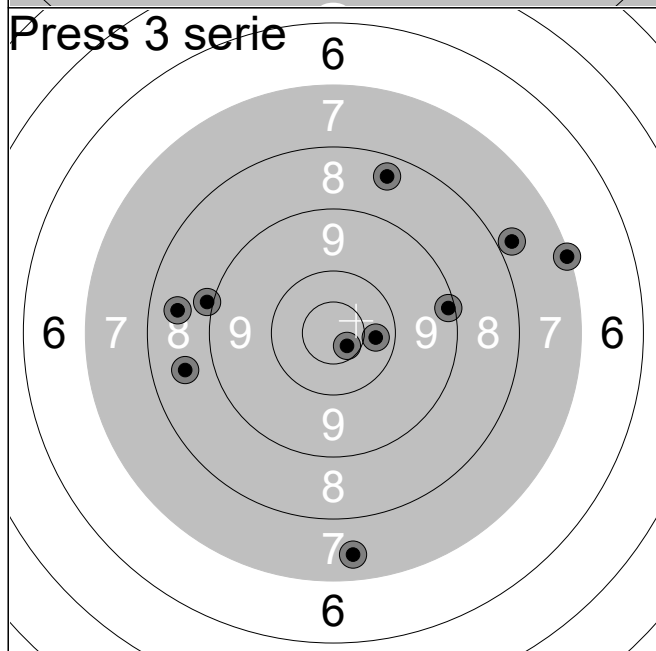
19.4s	7.2	↖
52.8s	8.8	↑
1:58m	8.9	↖
2:34m	10.5x	↖
3:08m	7.7	↗
26.6s	7.7	←
1:01m	10.5x	↗
1:39m	9.8	↖
2:19m	9.5	↑
2:58m	9.6	→
<b>Serie</b>	<b>84 ( 2x)</b>	
<b>Total</b>	<b>258 ( 3x)</b>	



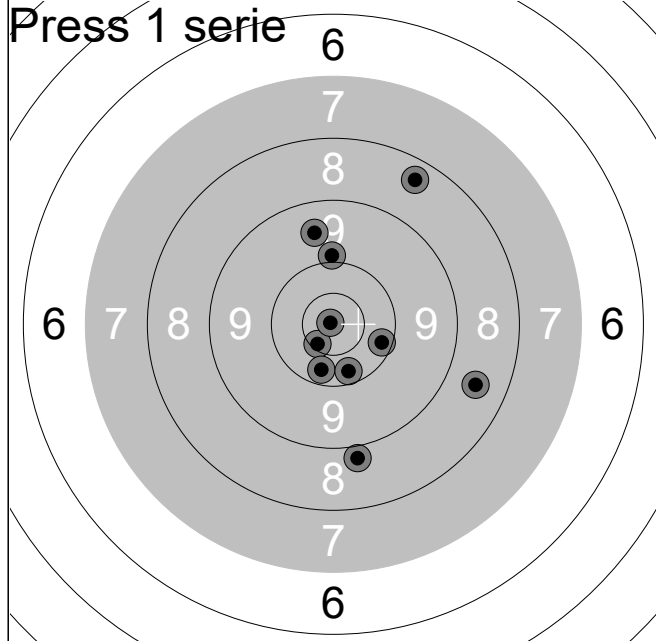
13.4s	7.9	↗
48.0s	9.7	↖
1:20m	10.0	↘
2:00m	10.2	↙
2:41m	4.8	↑
13.9s	9.7	←
45.2s	8.2	↑
1:26m	7.9	↑
2:06m	8.9	↙
2:43m	8.9	↑
<b>Serie</b>		<b>80 ( 0x)</b>
<b>Total</b>		<b>80 ( 0x)</b>



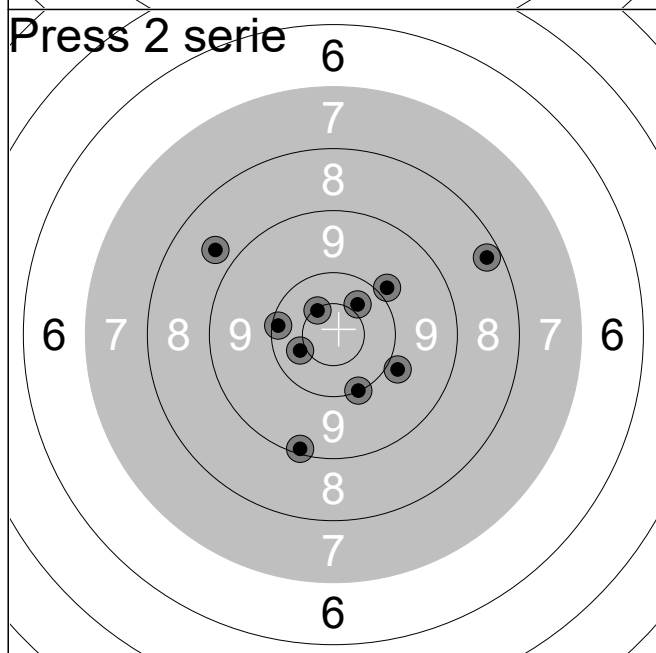
22.8s	9.8	↑
57.0s	10.8x	↑
1:31m	8.7	↖
2:08m	10.6x	↖
2:44m	8.9	←
15.7s	10.1	↑
59.7s	10.7x	↑
1:43m	8.4	↖
2:23m	10.2	↘
3:02m	9.5	↙
<b>Serie</b>		<b>92 ( 3x)</b>
<b>Total</b>		<b>172 ( 3x)</b>



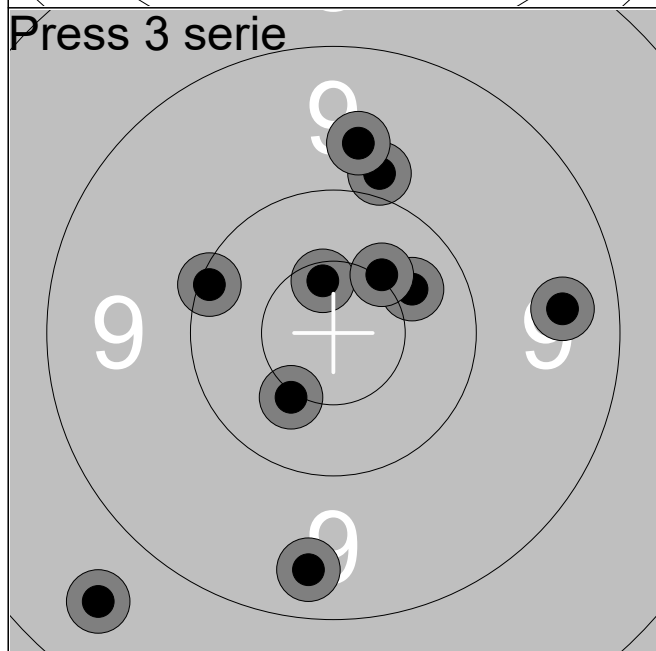
12.4s	9.2	→
50.4s	8.5	←
1:24m	7.5	↓
1:58m	7.1	→
2:33m	9.0	←
15.1s	8.6	←
53.5s	7.8	↗
1:25m	8.4	↑
2:02m	10.7x	↘
2:39m	10.3	→
<b>Serie</b>		<b>83 ( 1x)</b>
<b>Total</b>		<b>255 ( 4x)</b>



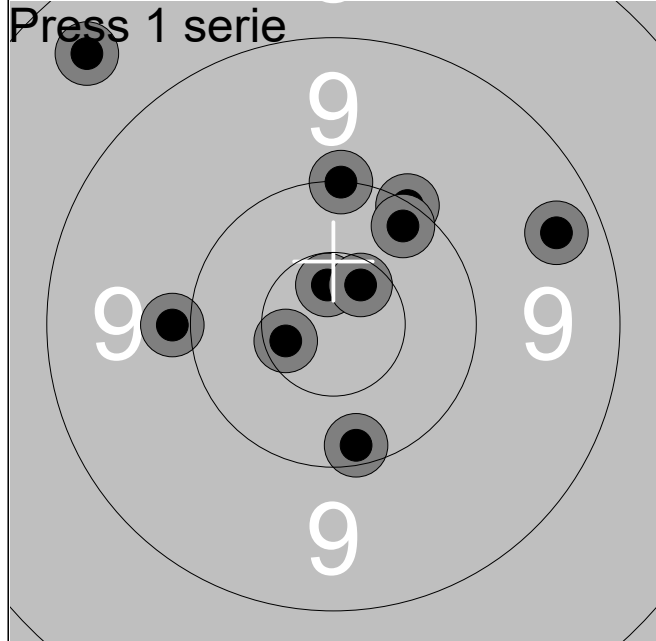
17.5s	8.4	↗
41.5s	8.6	→
1:04m	10.0	↑
1:30m	10.6x	↘
1:56m	10.3	↓
20.7s	10.2	↓
1:16m	8.9	↓
1:40m	10.9x	↗
2:03m	9.5	↑
2:31m	10.2	→
<b>Serie</b>		<b>93 ( 2x)</b>
<b>Total</b>		<b>93 ( 2x)</b>



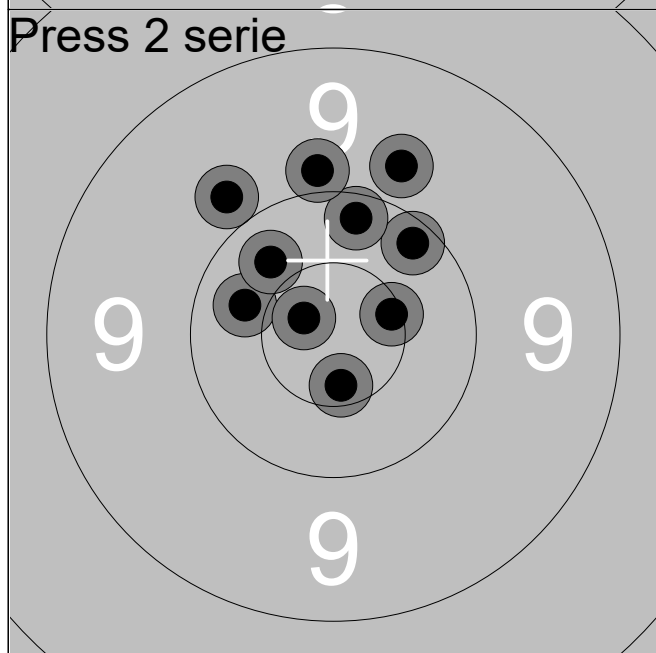
14.6s	8.7	↖
37.9s	10.1	←
1:01m	8.3	↗
1:34m	10.1	↓
2:04m	9.9	↘
20.2s	10.4x	←
43.6s	9.9	↗
1:11m	9.1	↓
1:49m	10.5x	↖
2:14m	10.4	↗
<b>Serie</b>		<b>93 ( 2x)</b>
<b>Total</b>		<b>186 ( 4x)</b>



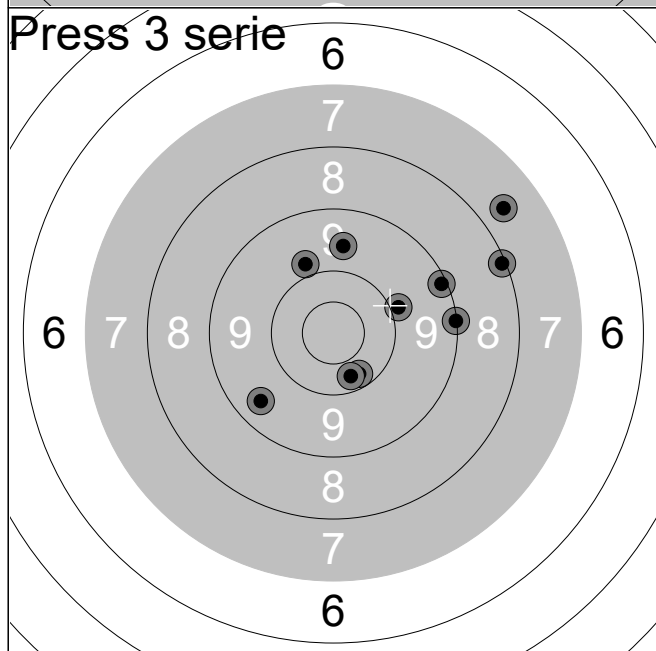
16.3s	9.9	↑
42.9s	10.4	↗
1:09m	10.6x	↑
1:49m	10.5x	↗
2:18m	8.6	↘
16.0s	10.1	←
38.2s	9.7	↑
1:08m	9.4	↓
1:36m	10.5x	↘
2:03m	9.5	→
<b>Serie</b>		<b>94 ( 3x)</b>
<b>Total</b>		<b>280 ( 7x)</b>



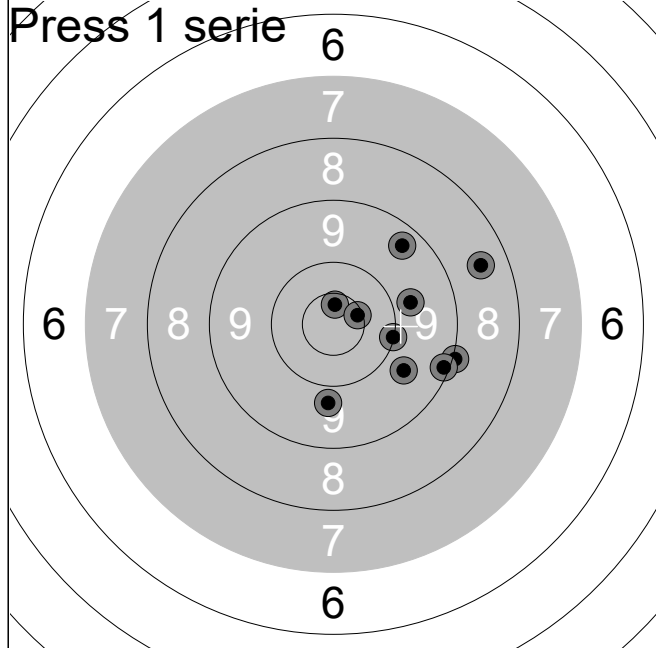
	14.0s	10.7x		↑
	37.9s	9.9		←
	1:27m	10.2		↓
	1:55m	10.6x		←
	2:53m	10.1		↗
	11.6s	9.4		→
	46.0s	10.2		↗
	1:18m	10.6x		↗
	1:50m	8.5		↖
	2:48m	10.1		↑
<b>Serie</b>				<b>96 ( 3x)</b>
<b>Total</b>				<b>96 ( 3x)</b>



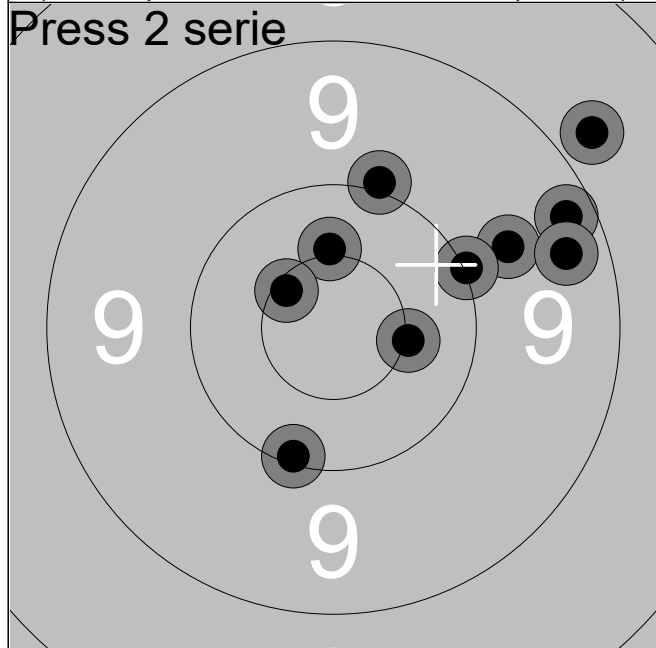
	14.4s	10.4		←
	46.2s	10.2		↗
	1:51m	9.8		↖
	2:22m	10.6x		↓
	2:50m	10.6x		→
	19.0s	9.8		↑
	50.2s	10.2		↑
	1:26m	10.7x		↖
	1:58m	10.3		↖
	2:28m	9.9		↑
<b>Serie</b>				<b>97 ( 3x)</b>
<b>Total</b>				<b>193 ( 6x)</b>



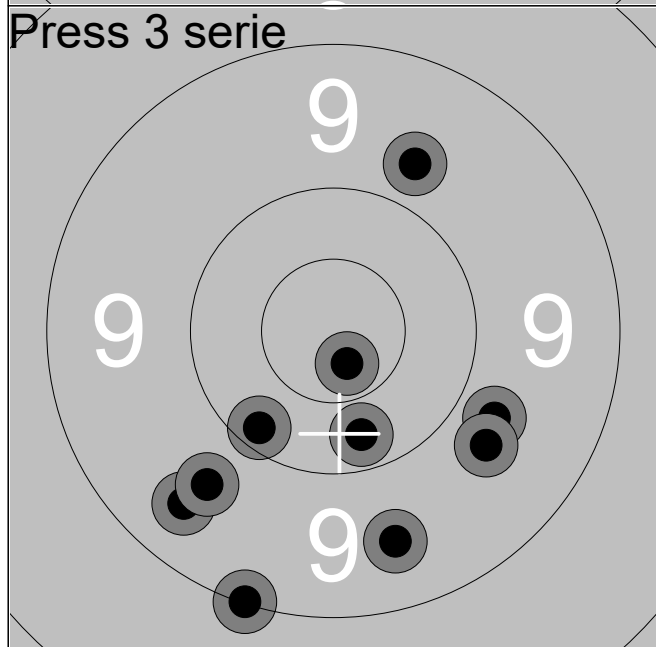
	17.6s	10.2		↓
	49.1s	9.9		→
	1:46m	9.1		→
	2:16m	7.7		↗
	2:53m	9.5		↖
	29.8s	9.1		→
	1:04m	9.9		↑
	1:33m	8.1		→
	2:01m	10.3		↓
	2:33m	9.6		↑
<b>Serie</b>				<b>89 ( 0x)</b>
<b>Total</b>				<b>282 ( 6x)</b>



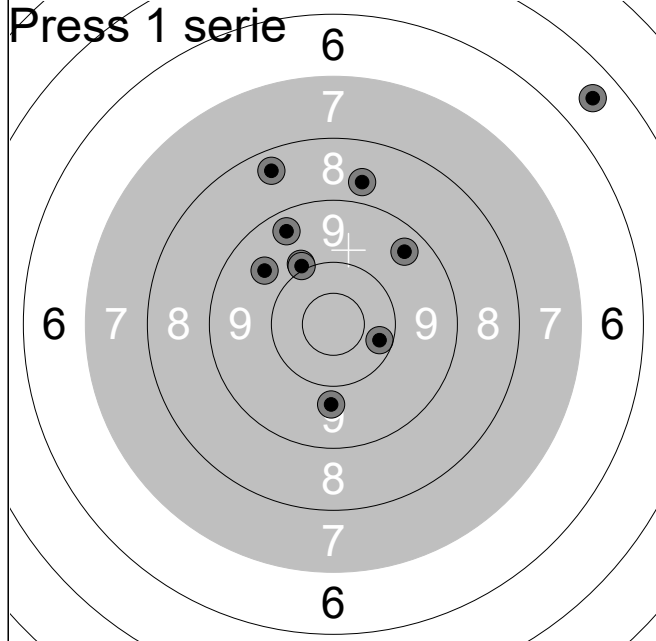
17.6s	9.8	↓
49.5s	10.7x	↑
1:15m	8.5	→
1:49m	9.0	→
3:52m	9.4	↗
26.2s	9.8	→
1:08m	9.7	↘
1:40m	10.6x	→
2:11m	10.1	→
2:46m	9.1	→
<b>Serie</b>	<b>92 ( 2x)</b>	
<b>Total</b>	<b>92 ( 2x)</b>	



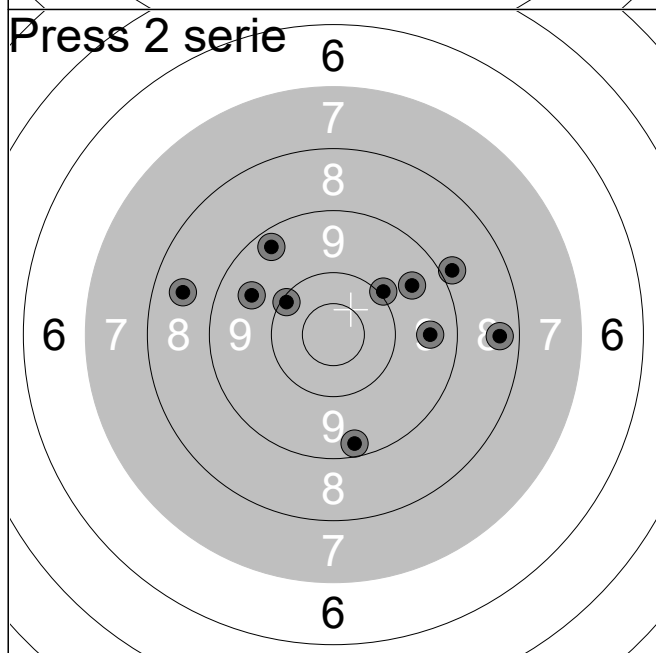
18.7s	9.3	→
56.7s	10.5x	↑
1:31m	10.1	↓
2:01m	10.5x	→
2:33m	8.8	↗
25.6s	10.6x	↖
56.1s	10.0	↑
1:27m	9.7	→
1:56m	10.0	→
2:26m	9.4	→
<b>Serie</b>	<b>95 ( 3x)</b>	
<b>Total</b>	<b>187 ( 5x)</b>	



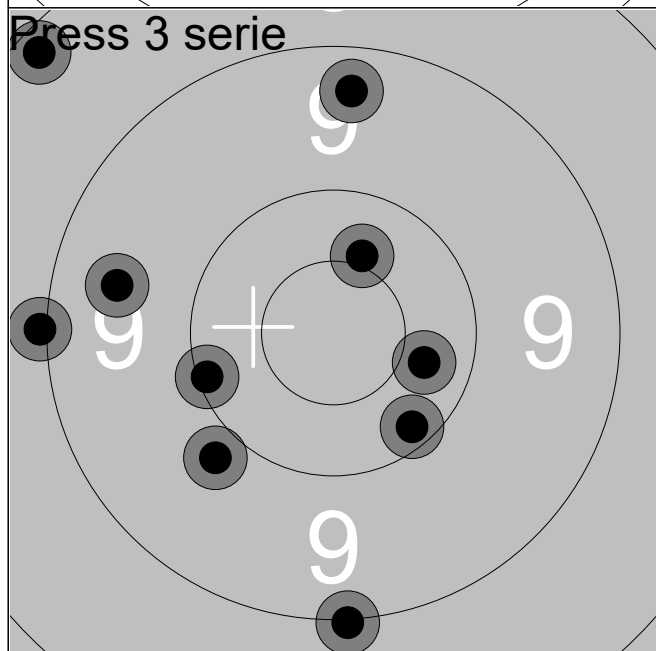
23.8s	9.8	↗
52.7s	9.1	↓
1:53m	10.2	↘
2:21m	9.5	↘
2:58m	9.5	↓
20.9s	10.7x	↓
1:26m	9.8	↘
1:54m	10.3	↓
2:25m	9.7	↘
3:55m	9.7	↘
<b>Serie</b>	<b>93 ( 1x)</b>	
<b>Total</b>	<b>280 ( 6x)</b>	



	13.3s	9.8			↓
	36.1s	5.5			↗
	1:05m	8.7			↑
	1:33m	10.0			↗
	2:07m	9.4			↗
	15.4s	10.0			↗
	43.3s	8.4			↗
	1:16m	10.2			↘
	1:56m	9.6			↗
	2:29m	9.4			↗
<b>Serie</b>				<b>87 ( 0x)</b>	
<b>Total</b>				<b>87 ( 0x)</b>	

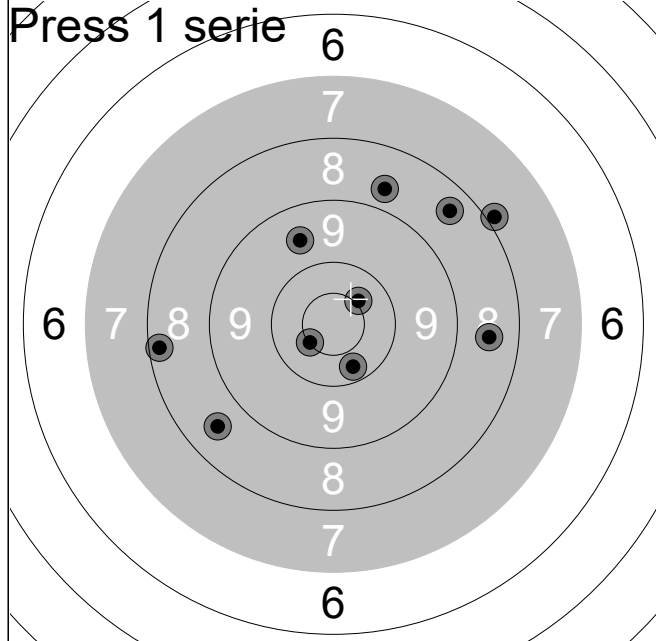


	14.1s	8.5			←
	44.1s	9.3			↗
	1:16m	9.6			←
	1:55m	9.3			↓
	2:36m	10.0			↗
	16.6s	9.5			→
	43.7s	9.6			↗
	1:13m	8.9			↗
	1:46m	10.1			↗
	2:22m	8.4			→
<b>Serie</b>				<b>89 ( 0x)</b>	
<b>Total</b>				<b>176 ( 0x)</b>	

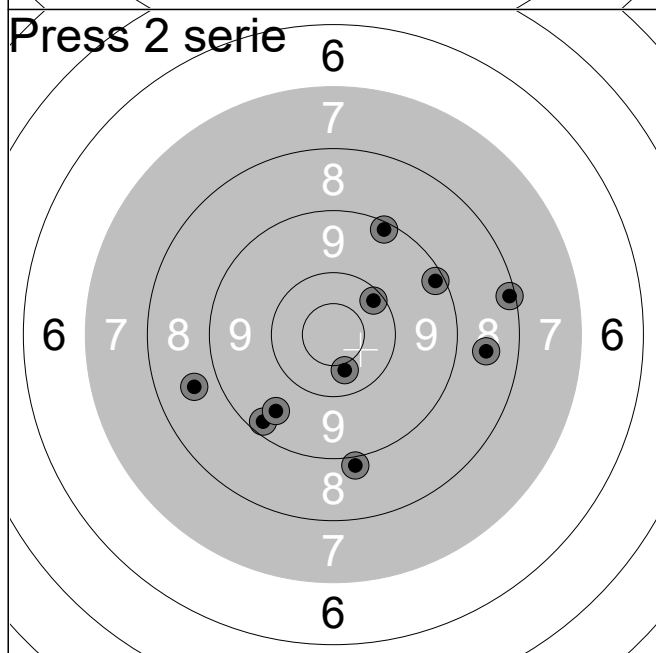


	12.6s	8.2			↗
	40.7s	9.9			↘
	1:14m	10.1			←
	1:51m	10.3			→
	2:32m	9.0			←
	12.9s	9.5			←
	39.0s	9.0			↓
	1:10m	9.4			↑
	1:48m	10.4x			↗
	2:20m	10.2			↘
<b>Serie</b>				<b>93 ( 1x)</b>	
<b>Total</b>				<b>269 ( 1x)</b>	

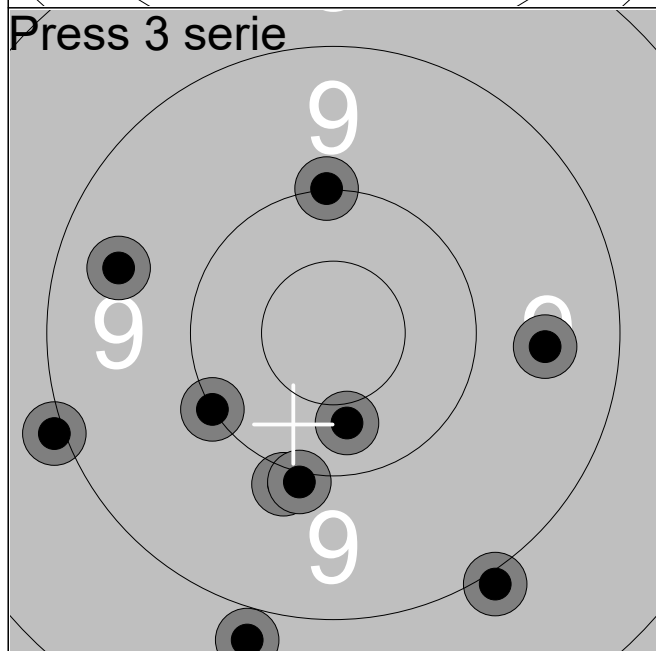




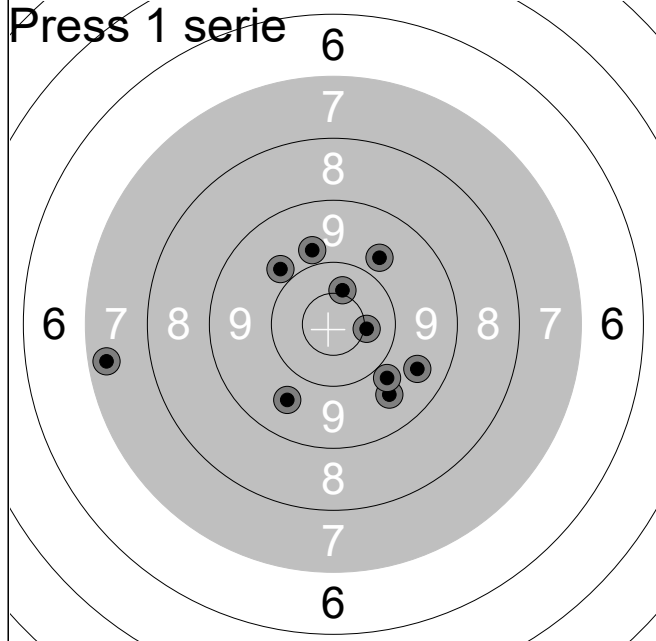
12.6s	8.4	↗
32.9s	7.9	↗
1:08m	8.5	→
1:46m	10.4x	↗
2:18m	8.6	↙
13.5s	10.3	↘
40.9s	9.6	↑
1:11m	8.2	←
1:38m	8.7	↑
2:01m	10.5x	↙
<b>Serie</b>		<b>86 ( 2x)</b>
<b>Total</b>		<b>86 ( 2x)</b>



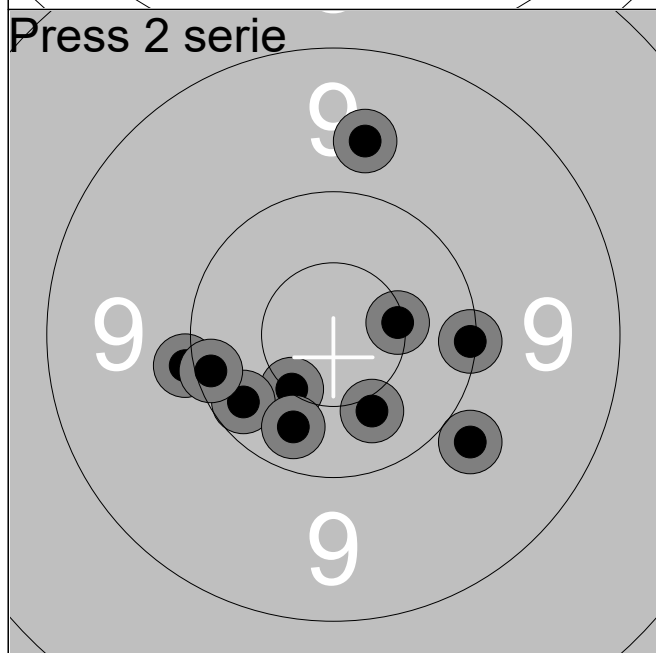
13.2s	8.6	→
36.2s	8.9	↘
1:03m	10.2	↗
1:31m	8.7	←
1:58m	9.3	↙
14.3s	8.1	→
35.0s	9.2	↗
1:03m	10.4x	↘
1:27m	9.2	↑
1:56m	9.5	↙
<b>Serie</b>		<b>88 ( 1x)</b>
<b>Total</b>		<b>174 ( 3x)</b>



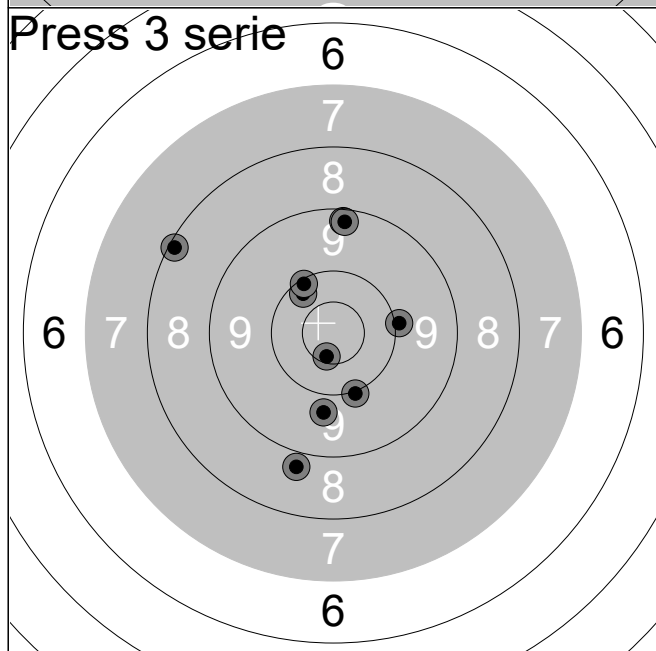
18.4s	9.0	↘
41.7s	10.1	←
1:09m	9.5	←
1:42m	9.9	↘
2:09m	9.6	→
15.0s	10.0	↘
47.1s	10.4	↘
1:16m	8.8	↘
1:44m	10.0	↑
2:14m	9.0	←
<b>Serie</b>		<b>93 ( 0x)</b>
<b>Total</b>		<b>267 ( 3x)</b>



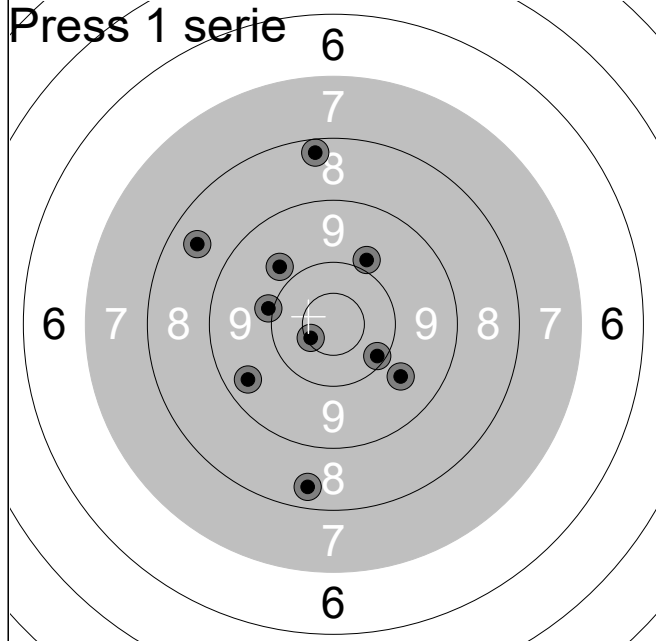
23.2s	9.8	↗
1:36m	10.4x	↑
2:11m	9.8	↑
2:44m	9.6	↘
3:21m	9.8	↗
1:01m	9.6	↘
1:33m	9.8	↘
2:07m	10.5x	→
2:41m	9.5	↘
3:18m	7.4	←
<b>Serie</b>	<b>90 ( 2x)</b>	
<b>Total</b>	<b>90 ( 2x)</b>	



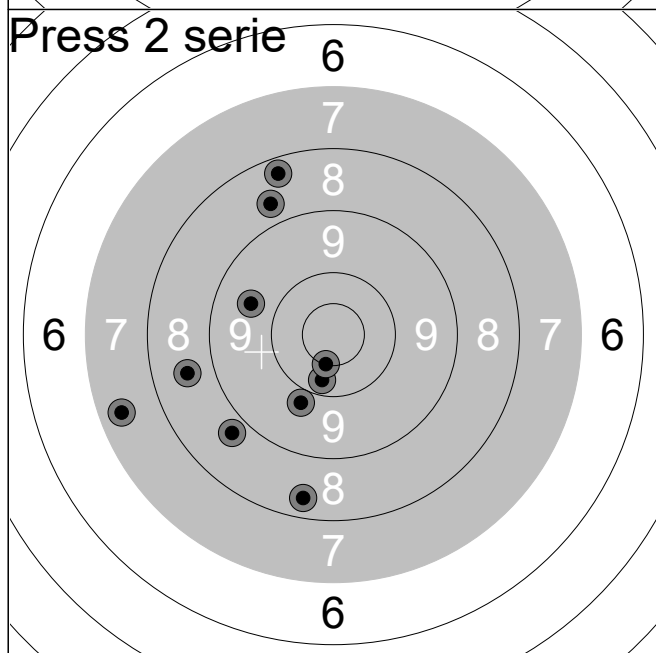
19.6s	10.0	←
56.7s	10.1	→
1:33m	10.5x	→
2:47m	10.4x	↘
3:22m	10.5x	↘
57.3s	10.2	↖
1:27m	9.8	↘
2:02m	9.7	↑
2:40m	10.1	←
3:15m	10.3	↘
<b>Serie</b>	<b>98 ( 3x)</b>	
<b>Total</b>	<b>188 ( 5x)</b>	



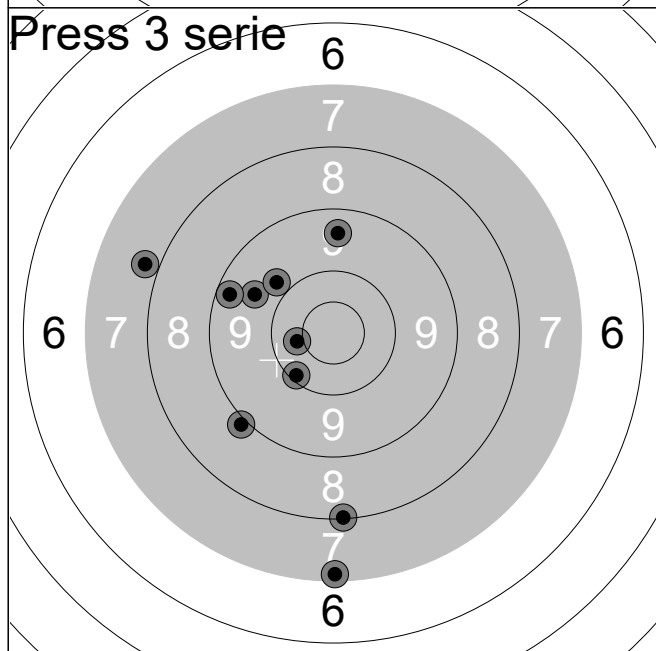
23.6s	8.8	↘
1:35m	9.8	↘
2:08m	10.6x	↘
2:43m	10.2	↗
3:21m	9.2	↑
1:02m	10.0	↘
1:37m	8.1	↗
2:12m	10.1	↗
2:44m	10.0	→
3:18m	9.3	↑
<b>Serie</b>	<b>93 ( 1x)</b>	
<b>Total</b>	<b>281 ( 6x)</b>	



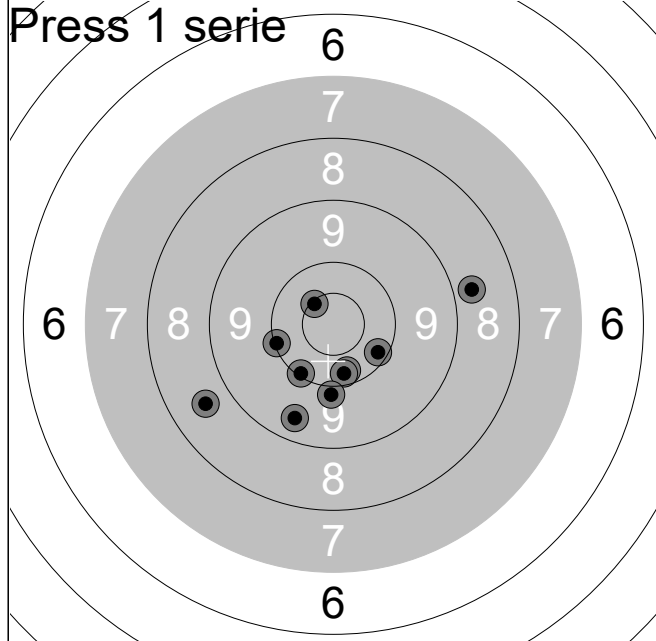
15.3s	9.9	↗
49.8s	8.3	↑
1:18m	9.7	↘
1:44m	9.8	↗
2:09m	10.6x	↖
40.9s	10.2	↘
1:06m	10.0	↖
1:30m	8.5	↗
2:04m	8.4	↓
2:34m	9.4	↖
<b>Serie</b>	<b>90 ( 1x)</b>	
<b>Total</b>	<b>90 ( 1x)</b>	



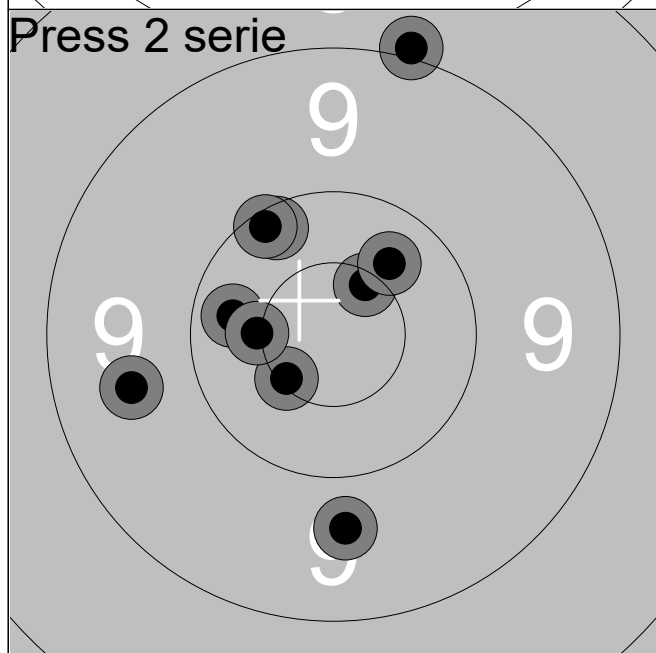
15.3s	9.6	↖
46.6s	10.3	↓
1:19m	9.8	↓
2:04m	8.7	↗
2:44m	7.4	↖
14.1s	8.8	↖
52.9s	8.3	↗
1:27m	8.6	↖
1:48m	10.5x	↓
2:07m	8.4	↓
<b>Serie</b>	<b>85 ( 1x)</b>	
<b>Total</b>	<b>175 ( 2x)</b>	



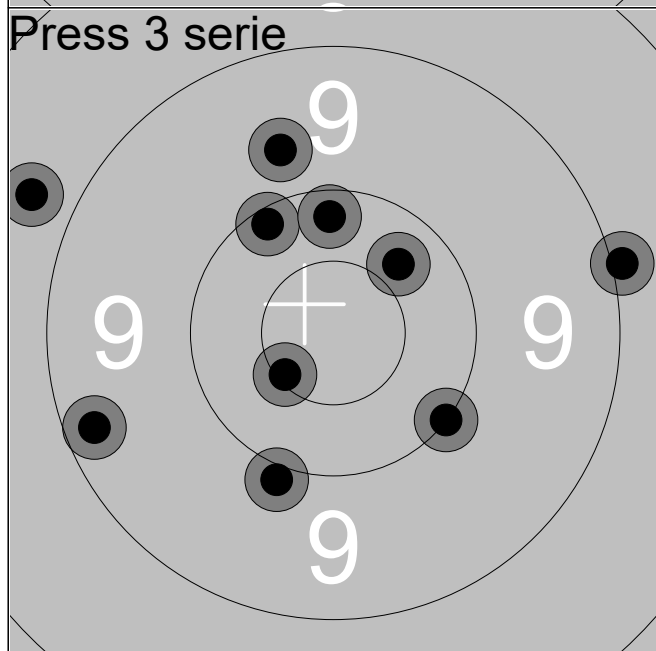
21.6s	7.8	↖
47.6s	9.6	↖
1:12m	9.0	↘
1:34m	9.3	↖
2:00m	8.1	↓
8.50s	9.5	↑
29.9s	10.4x	↖
50.2s	9.8	↗
1:24m	7.2	↓
1:44m	10.1	↘
<b>Serie</b>	<b>87 ( 1x)</b>	
<b>Total</b>	<b>262 ( 3x)</b>	



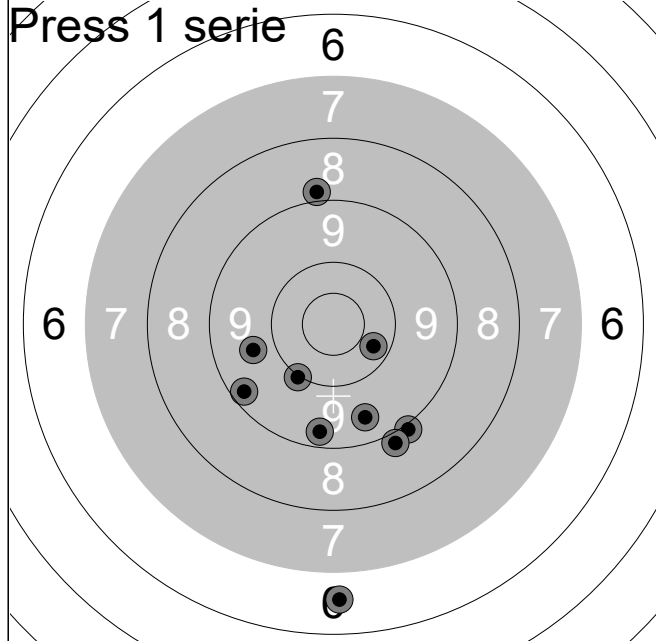
	17.3s	10.5x	↗
	51.6s	10.1	↘
	1:41m	10.3	↘
	2:26m	8.6	↙
	3:09m	8.8	→
	22.2s	10.2	↘
	1:00m	10.1	←
	1:47m	10.2	↘
	2:33m	9.9	↘
	3:16m	9.4	↘
<b>Serie</b>			<b>94 ( 1x)</b>
<b>Total</b>			<b>94 ( 1x)</b>



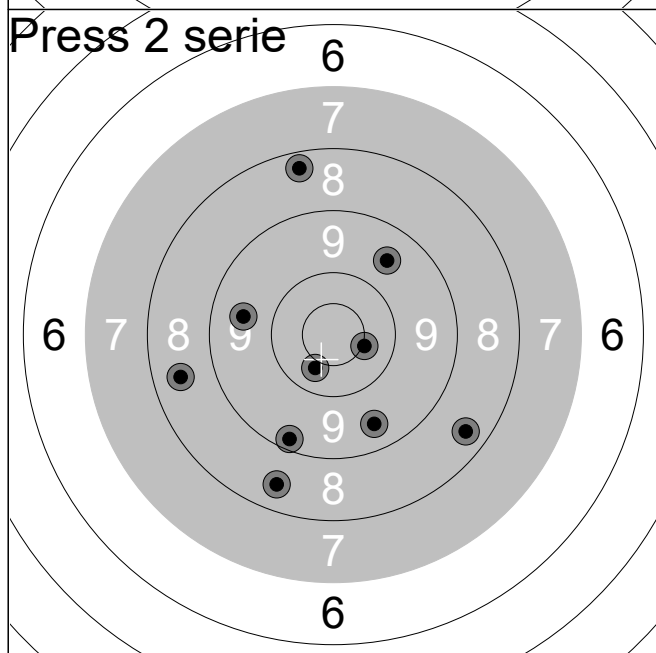
	21.2s	10.6x	↗
	1:08m	10.2	↗
	1:59m	9.6	←
	2:49m	9.0	↗
	3:42m	9.7	↘
	17.6s	10.1	↗
	57.9s	10.5x	↘
	1:50m	10.3	←
	2:41m	10.5x	←
	3:33m	10.4	↗
<b>Serie</b>			<b>97 ( 3x)</b>
<b>Total</b>			<b>191 ( 4x)</b>



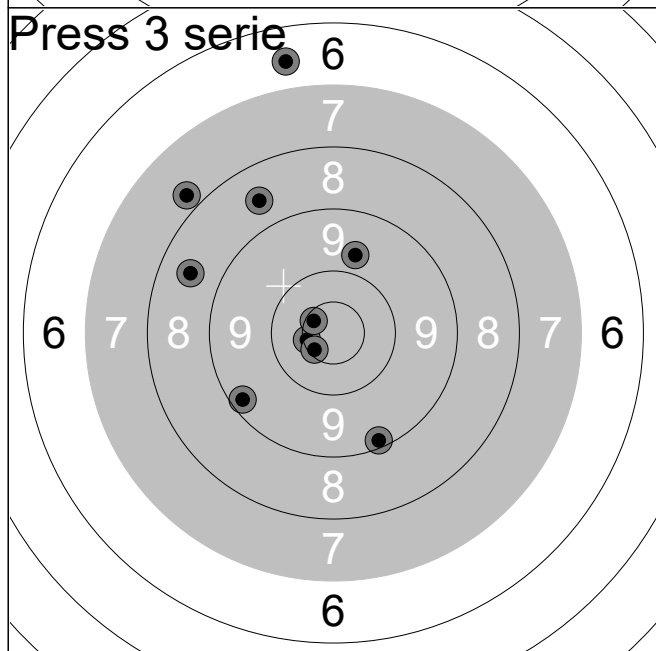
	20.6s	8.7	↙
	59.6s	9.7	↗
	1:51m	10.2	↗
	2:38m	10.1	↘
	3:37m	10.5x	↘
	21.1s	9.3	←
	1:05m	10.4	↗
	2:48m	10.2	↑
	3:23m	10.0	↘
	4:14m	9.0	→
<b>Serie</b>			<b>95 ( 1x)</b>
<b>Total</b>			<b>286 ( 5x)</b>



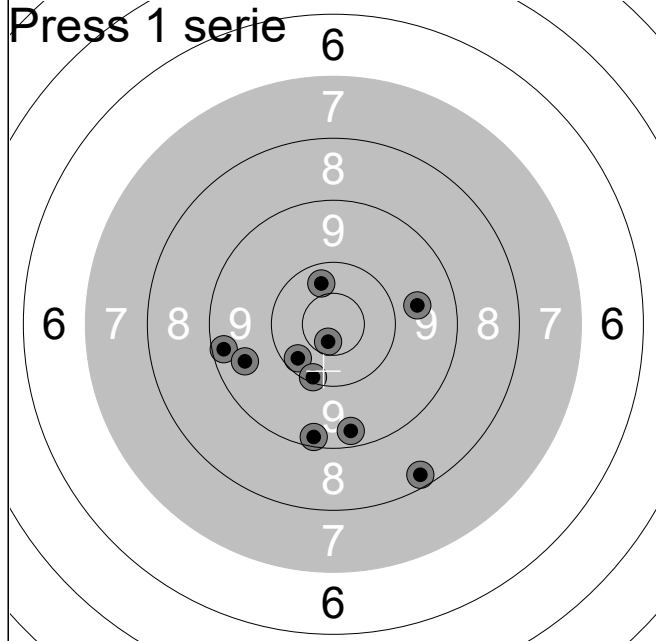
18.1s	9.5	↓
40.1s	9.3	↓
1:20m	8.9	↑
1:55m	9.3	↙
2:26m	9.0	↘
14.4s	10.3	↘
36.7s	8.9	↓
1:03m	6.6	↓
1:29m	10.0	↘
1:54m	9.7	←
<b>Serie</b>	<b>87 ( 0x)</b>	
<b>Total</b>	<b>87 ( 0x)</b>	



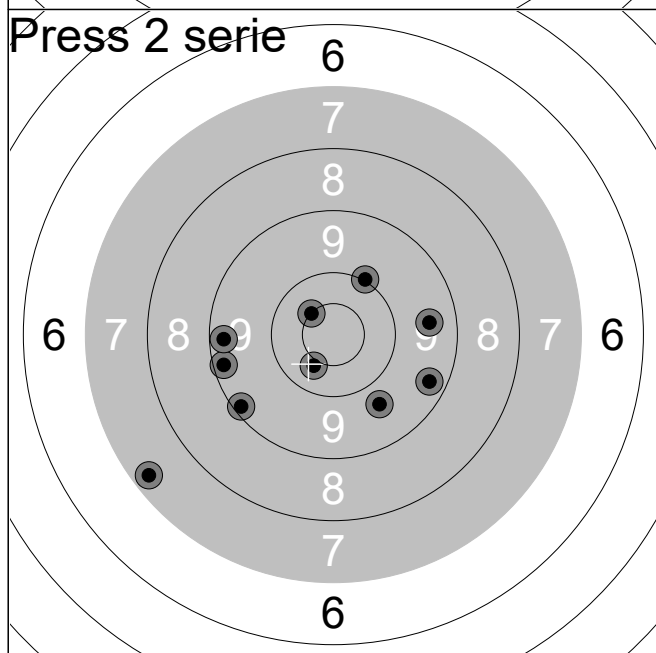
13.4s	10.5x	→
34.5s	9.6	↗
58.4s	9.5	↓
1:30m	9.6	←
1:55m	8.5	↓
9.44s	8.3	↑
34.2s	10.4	↘
54.3s	9.2	↓
1:26m	8.5	←
2:28m	8.4	↘
<b>Serie</b>	<b>88 ( 1x)</b>	
<b>Total</b>	<b>175 ( 1x)</b>	



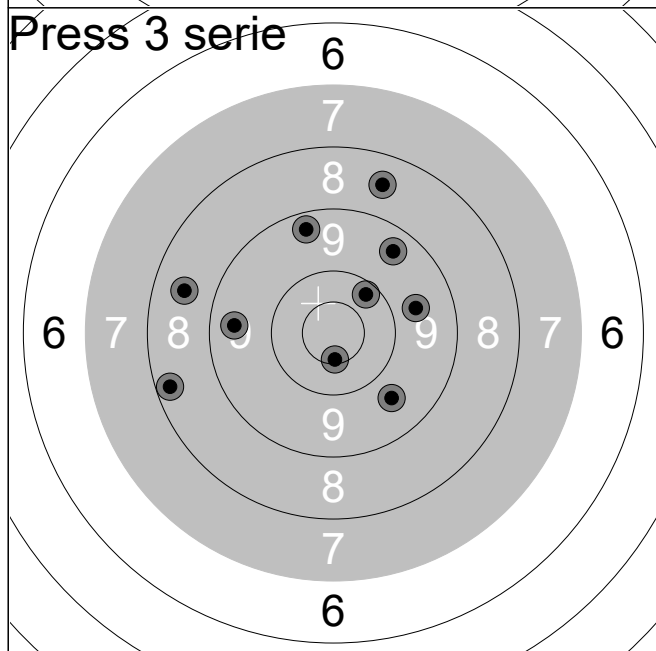
10.5s	8.6	↗
30.0s	9.2	↙
1:02m	10.6x	←
1:24m	8.6	↙
1:54m	10.6x	↗
9.36s	9.8	↑
27.2s	10.6x	↙
46.3s	9.2	↓
1:06m	6.6	↑
1:30m	7.8	↗
<b>Serie</b>	<b>86 ( 3x)</b>	
<b>Total</b>	<b>261 ( 4x)</b>	



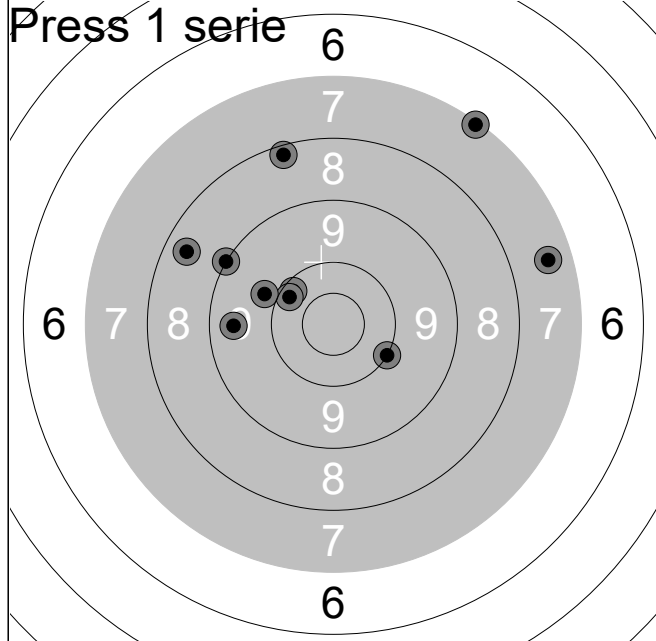
	23.1s	10.2	↙
	44.7s	9.3	↓
	1:13m	10.3	↑
	1:42m	10.1	↓
	2:11m	9.2	↓
	27.8s	9.2	←
	57.2s	9.7	→
	1:32m	8.3	↓
	2:04m	9.5	←
	2:40m	10.7x	↓
<b>Serie</b>			<b>93 ( 1x)</b>
<b>Total</b>			<b>93 ( 1x)</b>



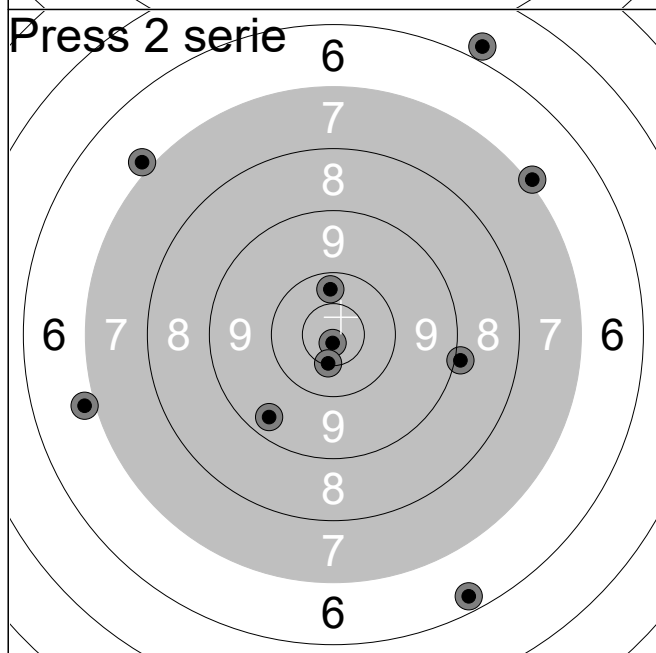
	27.2s	9.2	←
	49.8s	9.5	→
	1:20m	9.2	↙
	1:48m	7.3	↙
	2:19m	9.3	↘
	20.9s	10.5x	↖
	50.4s	10.0	↗
	1:26m	10.4x	↓
	2:01m	9.3	←
	2:39m	9.7	↓
<b>Serie</b>			<b>91 ( 2x)</b>
<b>Total</b>			<b>184 ( 3x)</b>



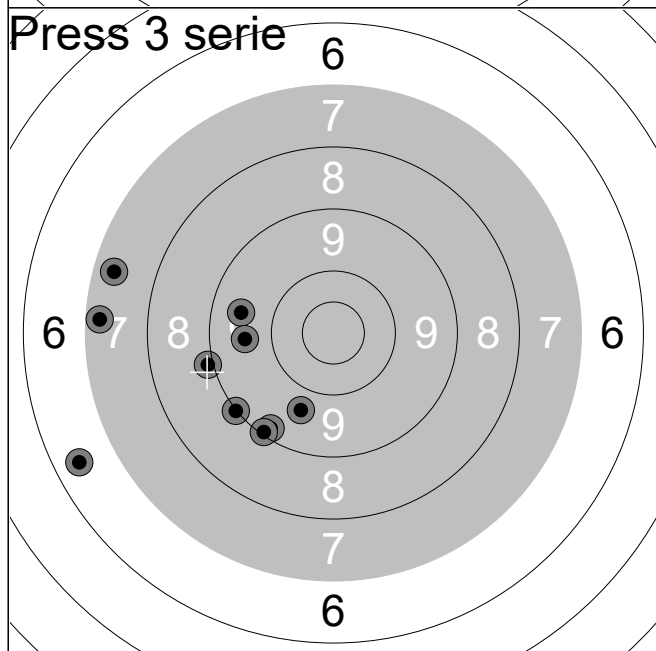
	24.6s	10.2	↗
	55.5s	8.3	←
	1:20m	9.7	→
	1:47m	9.4	↗
	2:20m	9.5	←
	24.2s	9.3	↑
	48.6s	10.6x	↓
	1:17m	8.6	←
	1:49m	9.7	↓
	2:15m	8.5	↑
<b>Serie</b>			<b>89 ( 1x)</b>
<b>Total</b>			<b>273 ( 4x)</b>



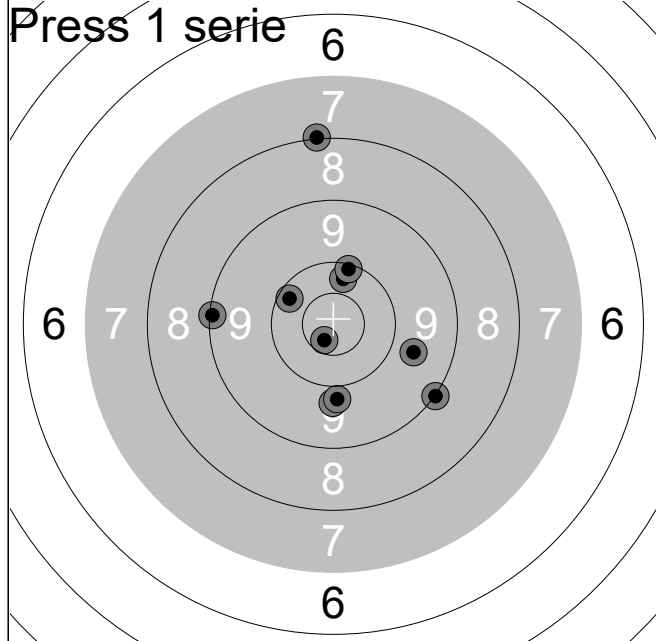
41.3s	9.1	↖
1:07m	8.2	↑
1:43m	8.4	↖
2:14m	10.2	↗
2:48m	7.4	→
48.1s	9.5	←
1:14m	7.1	↗
1:48m	10.0	↘
2:15m	10.2	↗
2:46m	9.8	↖
<b>Serie</b>		<b>87 ( 0x)</b>
<b>Total</b>		<b>87 ( 0x)</b>



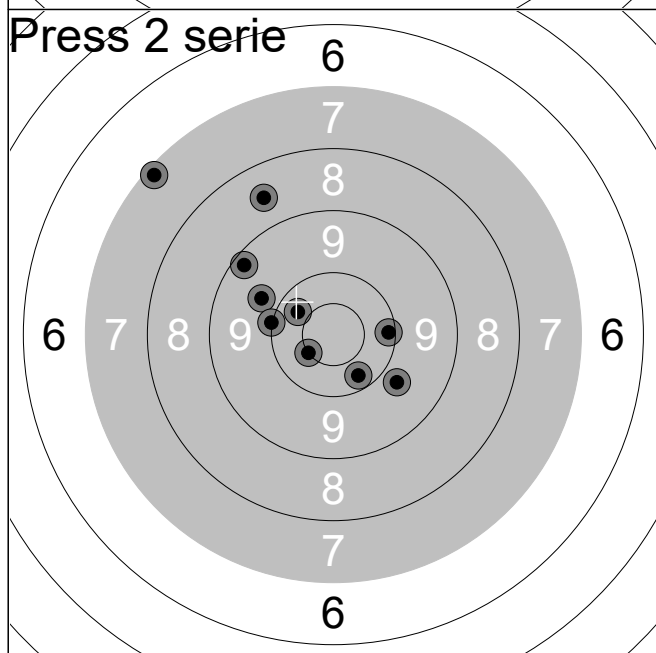
53.5s	9.4	↙
1:29m	5.8	↗
2:06m	6.9	←
2:41m	6.3	↘
3:11m	10.3	↑
18.9s	6.9	↖
54.8s	7.0	↗
1:24m	10.8x	↘
1:54m	10.5x	↘
2:33m	9.0	→
<b>Serie</b>		<b>78 ( 2x)</b>
<b>Total</b>		<b>165 ( 2x)</b>



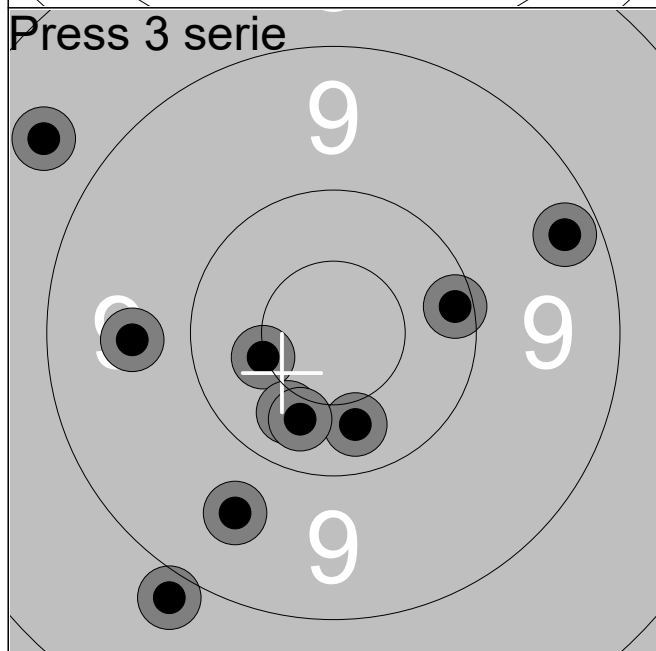
57.9s	9.0	↙
1:28m	9.2	↘
1:55m	7.3	←
2:27m	7.4	←
3:00m	9.5	←
14.7s	9.7	↘
41.1s	9.0	←
1:09m	9.6	←
1:39m	9.1	↘
2:09m	6.5	↖
<b>Serie</b>		<b>83 ( 0x)</b>
<b>Total</b>		<b>248 ( 2x)</b>



21.2s	9.8	↓
1:16m	9.8	↓
1:50m	10.7x	↙
2:21m	9.7	→
3:18m	9.1	←
53.8s	10.2	↗
1:26m	8.0	↑
1:57m	9.0	↘
3:02m	10.3	↑
3:37m	10.1	↑
<b>Serie</b>		<b>93 ( 1x)</b>
<b>Total</b>		<b>93 ( 1x)</b>

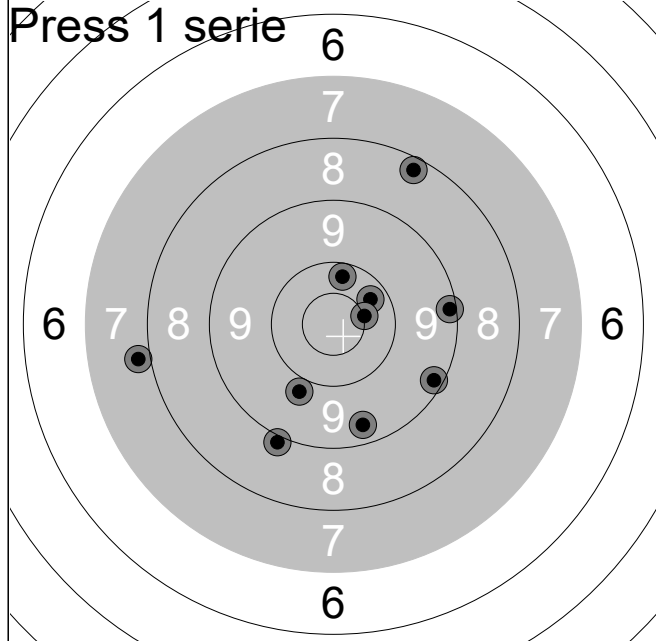


50.5s	9.8	↖
1:54m	9.2	↗
2:23m	8.6	↗
2:53m	10.3	↘
3:26m	7.2	↗
1:08m	10.0	←
1:33m	10.5x	↙
2:02m	10.3	↗
2:33m	9.8	↘
3:02m	10.1	→
<b>Serie</b>		<b>92 ( 1x)</b>
<b>Total</b>		<b>185 ( 2x)</b>

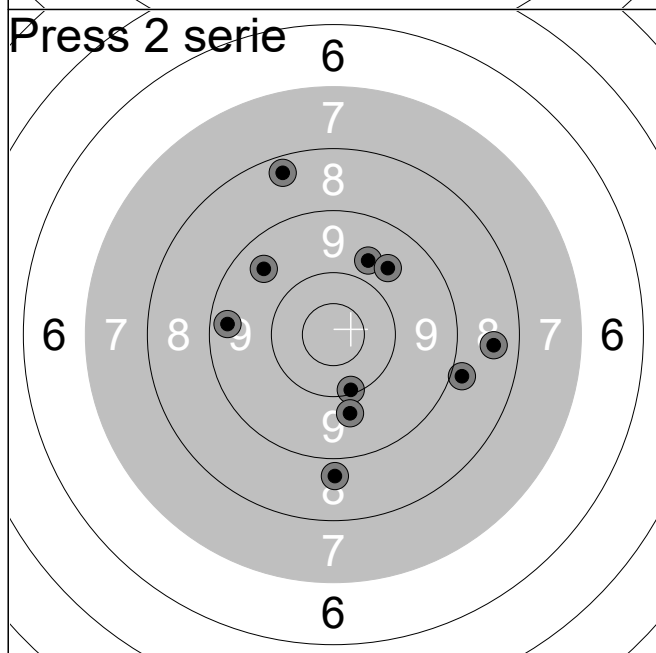


46.5s	8.6	↖
1:17m	10.2	→
1:54m	10.4	↓
2:54m	9.6	↓
3:16m	9.7	←
1:22m	10.5x	←
1:46m	10.4	↓
2:13m	8.9	↙
2:37m	10.4	↘
3:04m	9.3	→
<b>Serie</b>		<b>93 ( 1x)</b>
<b>Total</b>		<b>278 ( 3x)</b>

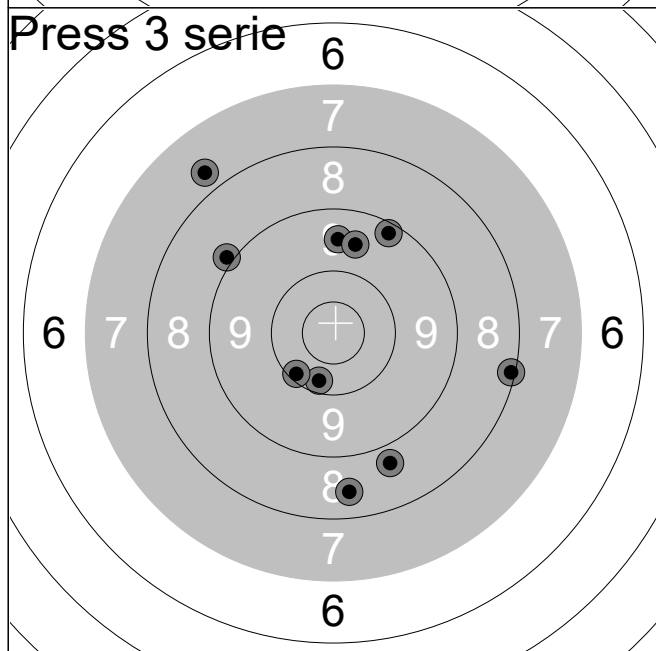




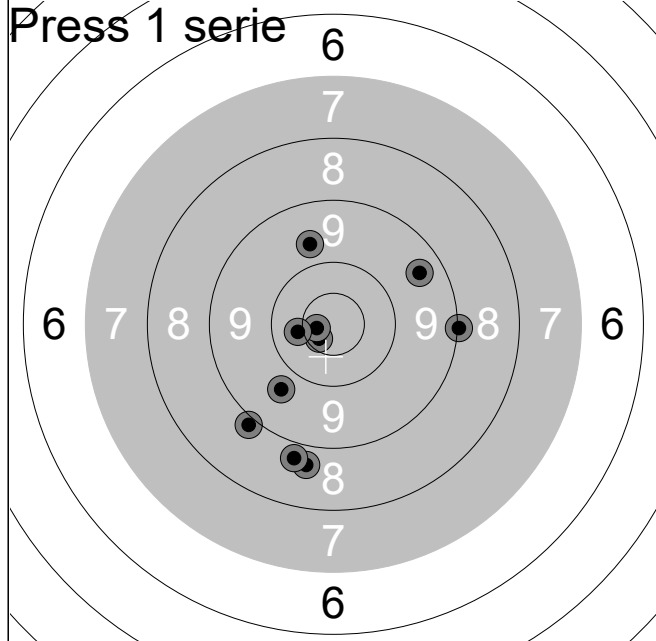
18.5s	9.8	↘
54.8s	9.4	↘
1:25m	8.3	↗
1:58m	10.3	↗
2:58m	9.2	↘
20.8s	10.5x	→
50.1s	10.2	↑
1:41m	7.9	←
2:09m	8.9	↘
2:38m	9.2	→
<b>Serie</b>		<b>89 ( 1x)</b>
<b>Total</b>		<b>89 ( 1x)</b>



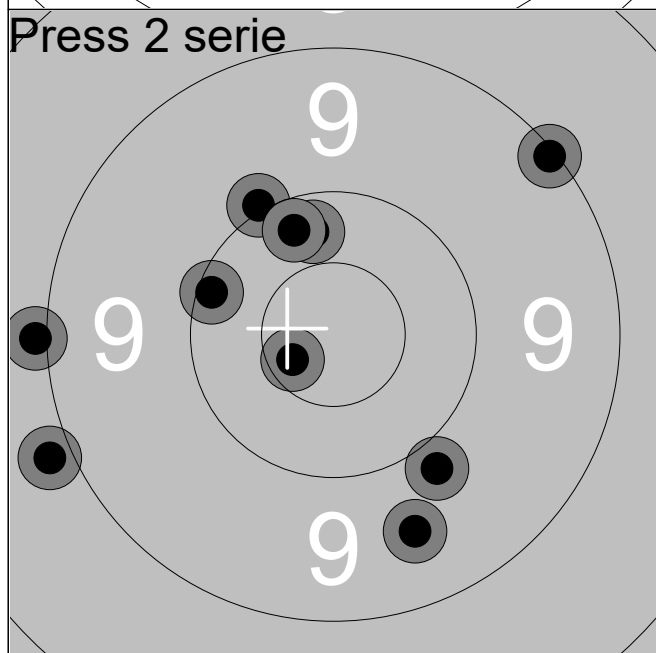
16.4s	9.3	←
41.6s	10.1	↘
1:13m	9.8	↘
1:49m	8.8	↘
2:44m	9.7	↗
13.1s	8.5	→
37.2s	9.5	↗
58.6s	9.7	↗
1:21m	8.3	↑
1:47m	8.9	→
<b>Serie</b>		<b>87 ( 0x)</b>
<b>Total</b>		<b>176 ( 1x)</b>



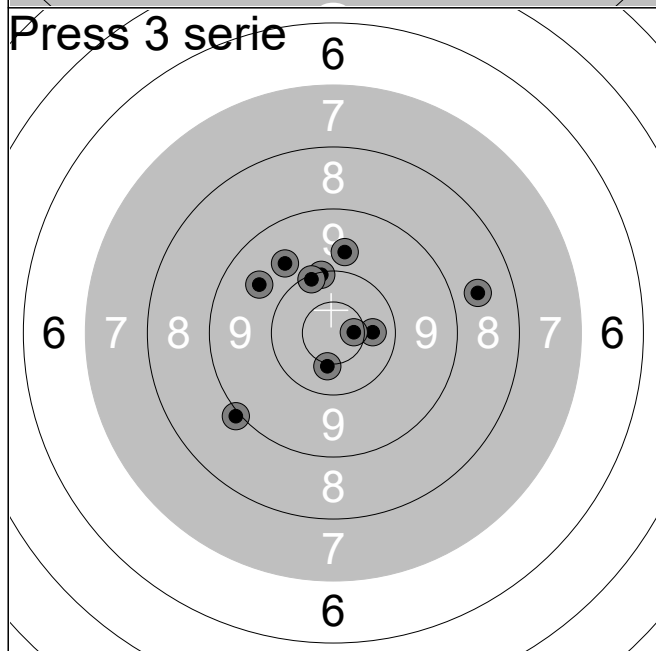
9.83s	10.2	↘
35.5s	9.2	↗
55.4s	7.7	↗
1:21m	10.1	↘
1:48m	8.5	↘
5.95s	8.9	↗
26.3s	9.6	↑
49.1s	9.6	↑
1:13m	8.1	→
1:41m	8.8	↘
<b>Serie</b>		<b>86 ( 0x)</b>
<b>Total</b>		<b>262 ( 1x)</b>



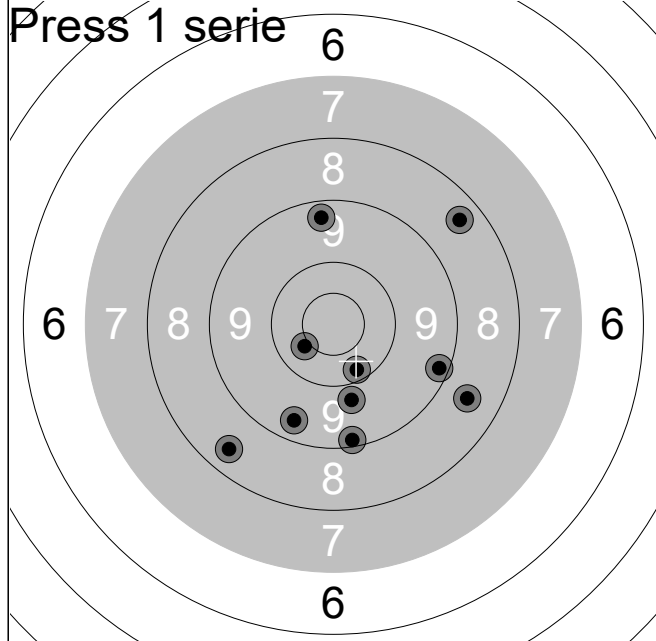
22.6s	9.0				→
57.6s	8.9				↓
1:40m	10.7x				↓
2:19m	9.7				↓
2:55m	10.7x				←
23.4s	9.4				↗
1:25m	8.8				↓
2:00m	8.8				↓
2:37m	10.4x				←
3:05m	9.7				↑
<b>Serie</b>					<b>90 ( 3x)</b>
<b>Total</b>					<b>90 ( 3x)</b>



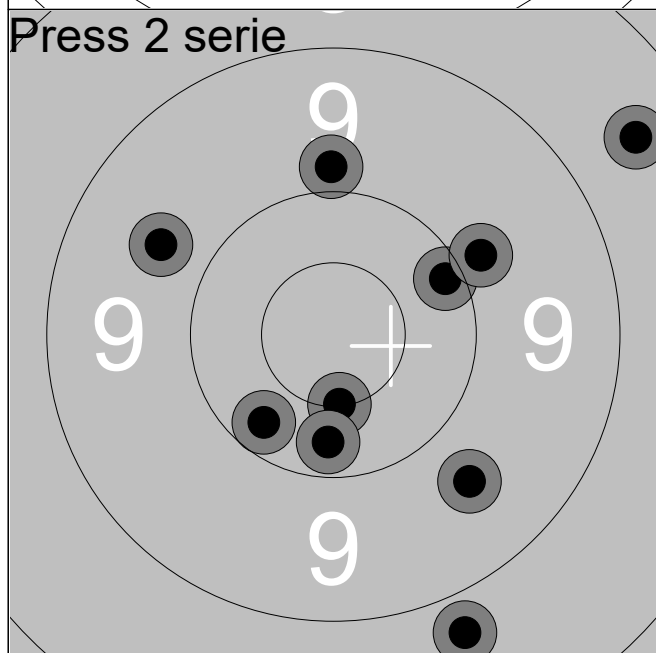
23.7s	8.9				←
59.0s	10.6x				←
1:32m	9.6				↓
2:03m	10.1				←
2:49m	9.9				↓
17.3s	10.3				↑
57.0s	10.0				↗
1:40m	9.0				←
2:19m	9.1				↗
3:14m	10.2				↑
<b>Serie</b>					<b>94 ( 1x)</b>
<b>Total</b>					<b>184 ( 4x)</b>



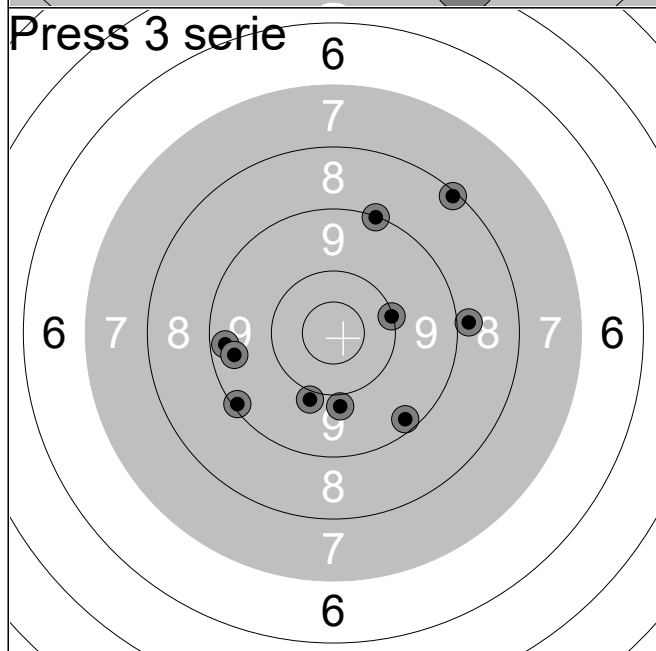
23.5s	9.7				↑
53.8s	10.1				↑
1:38m	10.5x				↓
2:16m	9.6				↖
3:01m	8.6				→
24.5s	9.0				↓
56.0s	10.1				↑
1:34m	9.7				↗
2:18m	10.4				→
2:52m	10.6x				→
<b>Serie</b>					<b>94 ( 2x)</b>
<b>Total</b>					<b>278 ( 6x)</b>



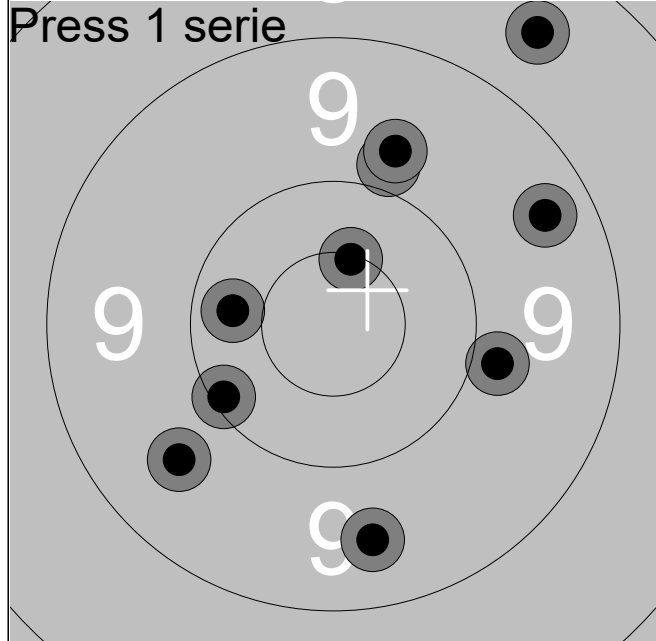
10.3s	8.4	↗
27.2s	9.3	↑
48.5s	10.2	↓
1:06m	9.8	↓
1:48m	8.4	↙
53.2s	8.6	↘
1:10m	9.2	→
1:27m	9.2	↓
1:49m	9.4	↓
2:10m	10.4x	↙
<b>Serie</b>		<b>89 ( 1x)</b>
<b>Total</b>		<b>89 ( 1x)</b>



15.6s	10.2	↗
38.1s	10.2	↓
1:24m	10.5x	↓
1:52m	8.8	↓
2:12m	9.7	↘
14.7s	9.7	↖
32.8s	9.9	↑
56.5s	10.3	↓
1:17m	9.9	↗
1:45m	8.5	↗
<b>Serie</b>		<b>92 ( 1x)</b>
<b>Total</b>		<b>181 ( 2x)</b>



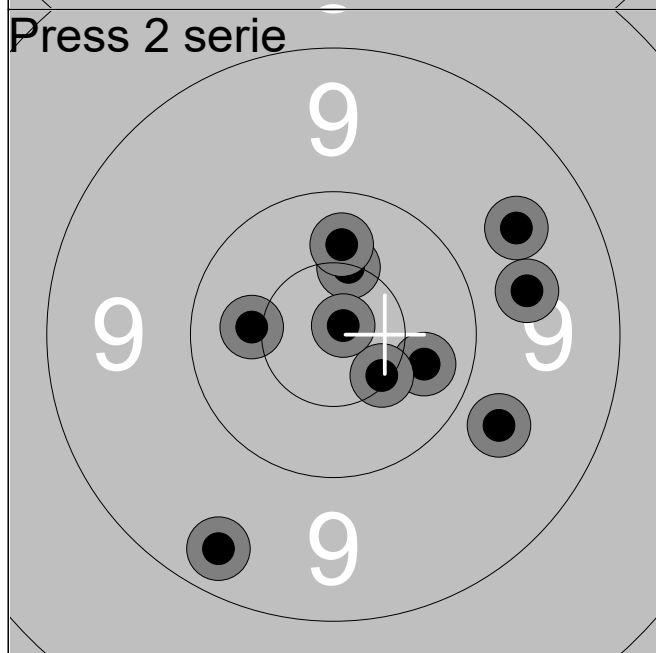
10.2s	9.2	↓
33.7s	9.9	↓
53.0s	9.3	←
1:12m	10.1	→
1:33m	9.9	↓
15.0s	8.9	→
33.5s	9.1	↙
57.2s	9.4	←
1:26m	9.1	↑
1:56m	8.1	↗
<b>Serie</b>		<b>89 ( 0x)</b>
<b>Total</b>		<b>270 ( 2x)</b>



22.4s	9.4	➔
55.7s	8.6	↗
1:35m	9.9	↗
2:13m	9.8	↗
2:53m	9.6	↙
18.8s	9.9	➔
52.2s	10.1	↙
1:30m	10.3	↖
2:08m	10.5x	↗
2:40m	9.5	↘

**Serie** 92 ( 1x)

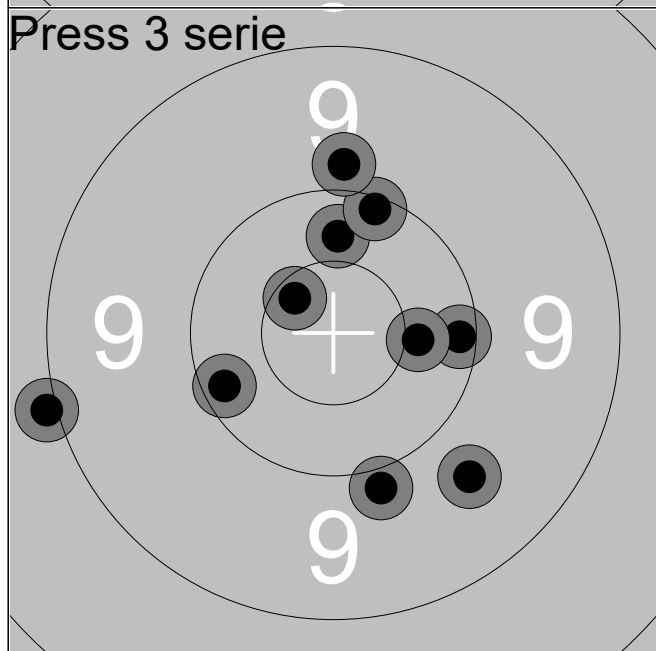
**Total** 92 ( 1x)



51.6s	10.5x	↗
1:27m	10.3	➔
2:06m	9.6	↗
3:18m	9.4	↘
3:54m	9.7	➔
19.5s	10.4	↗
52.4s	10.6x	↘
1:27m	10.9x	↗
2:09m	9.7	➔
2:44m	10.4x	↖

**Serie** 96 ( 4x)

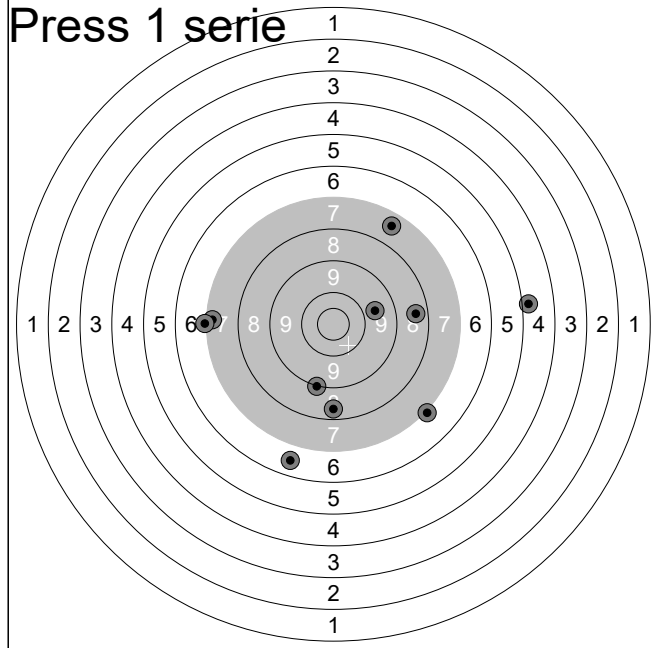
**Total** 188 ( 5x)



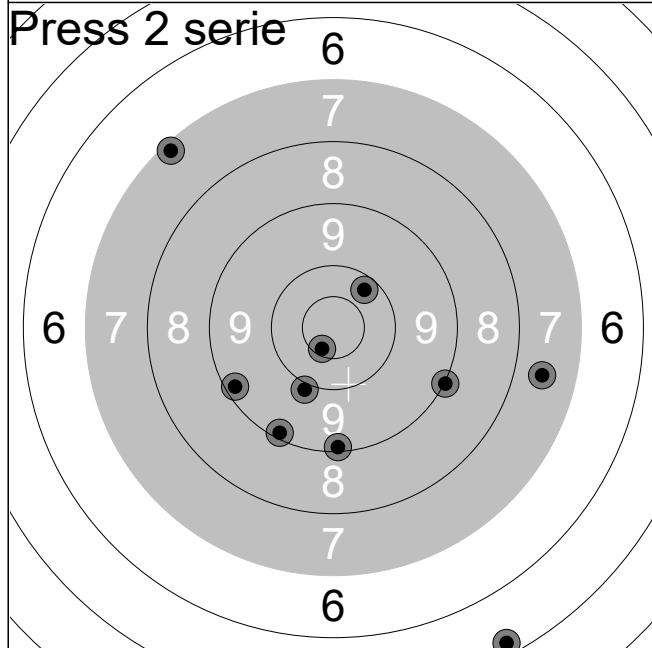
17.3s	10.3	↗
51.6s	9.9	↘
1:29m	10.2	➔
2:05m	10.1	↗
2:44m	9.0	↖
16.4s	9.7	↘
48.7s	10.4x	➔
1:22m	10.2	↖
1:57m	10.6x	↗
3:11m	9.9	↗

**Serie** 96 ( 2x)

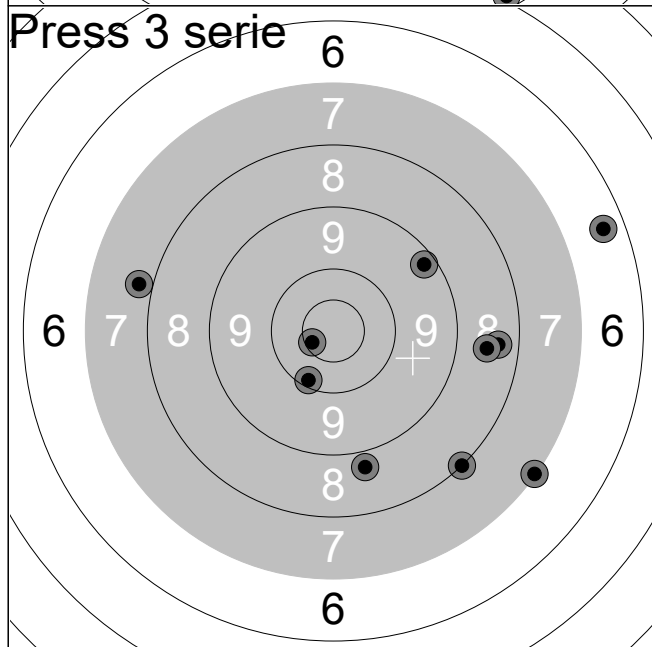
**Total** 284 ( 7x)



16.1s	7.0	↘
36.2s	9.0	↓
58.7s	6.5	↓
1:23m	8.4	↓
2:13m	7.2	←
15.3s	7.0	←
34.4s	7.5	↗
57.6s	9.7	→
1:21m	8.4	→
1:46m	4.9	→
<b>Serie</b>	<b>72 ( 0x)</b>	
<b>Total</b>	<b>72 ( 0x)</b>	



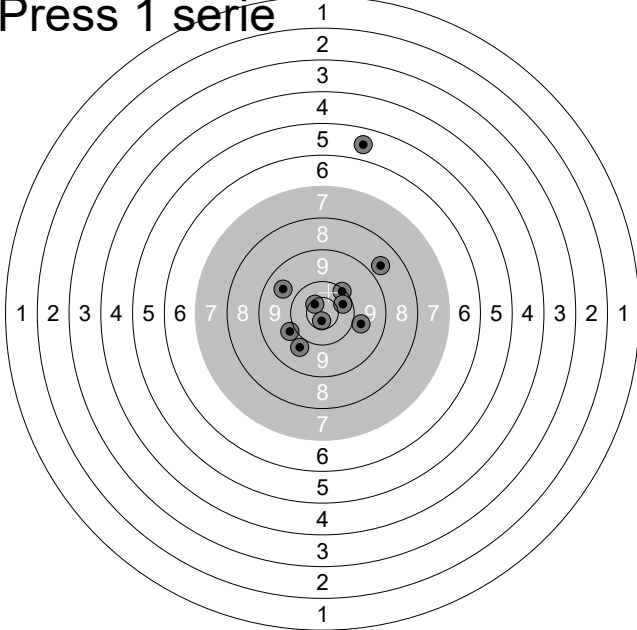
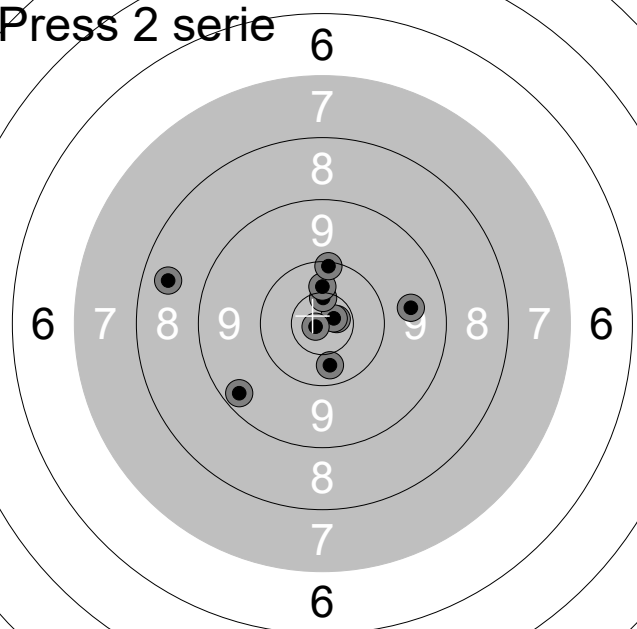
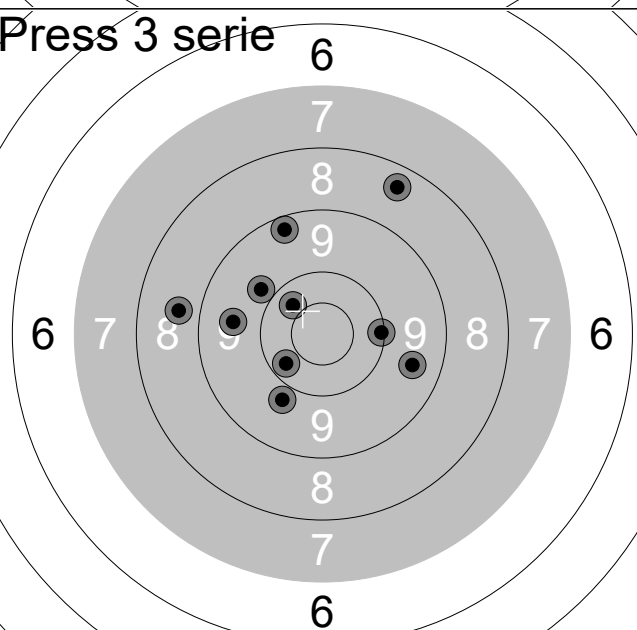
28.1s	7.2	↗
42.6s	9.2	↖
1:00m	9.0	↘
1:16m	10.0	↓
1:35m	9.1	↓
14.8s	10.6x	↓
37.7s	9.1	↓
1:05m	7.6	→
1:51m	10.2	↗
2:28m	5.3	↓
<b>Serie</b>	<b>85 ( 1x)</b>	
<b>Total</b>	<b>157 ( 1x)</b>	

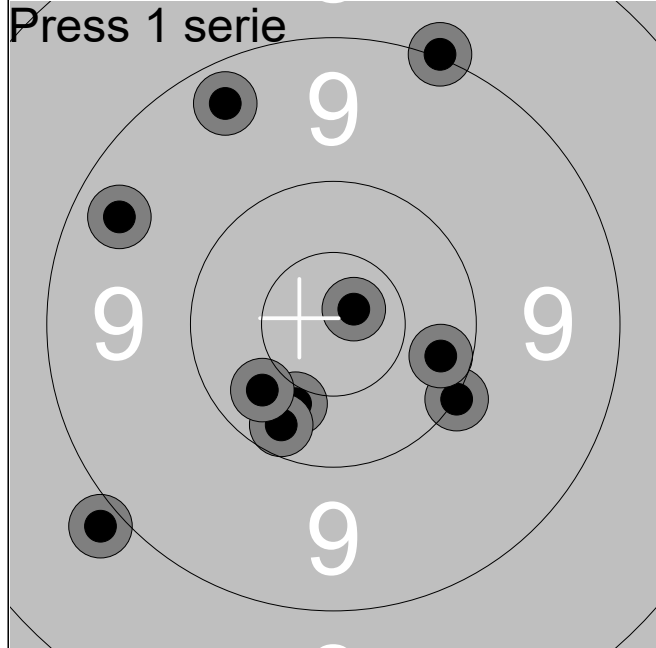


12.3s	10.6x	↖
26.0s	6.4	→
44.8s	7.8	↖
1:15m	8.8	↓
1:43m	10.2	↓
15.2s	9.3	↗
33.1s	8.4	→
50.3s	8.6	→
1:12m	8.1	↓
1:37m	7.1	↓
<b>Serie</b>	<b>81 ( 1x)</b>	
<b>Total</b>	<b>238 ( 2x)</b>	

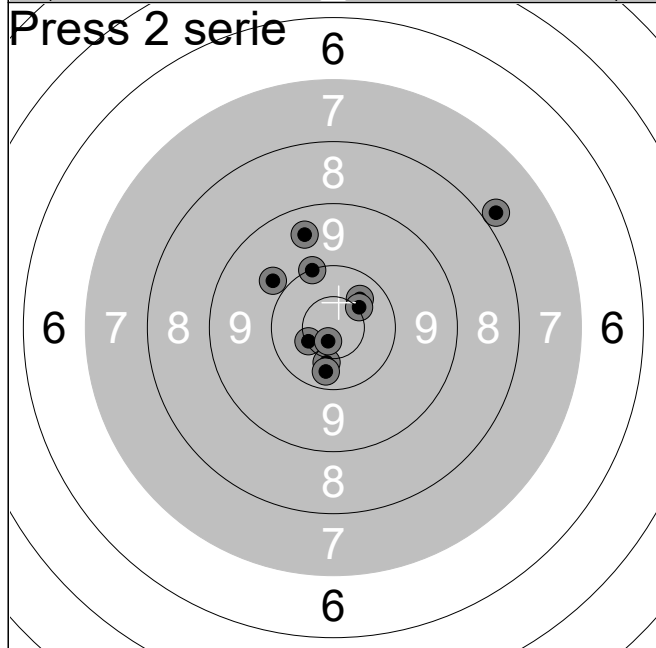
23.06.2019	NM bane 2019	NM Pistol 2019
------------	--------------	----------------

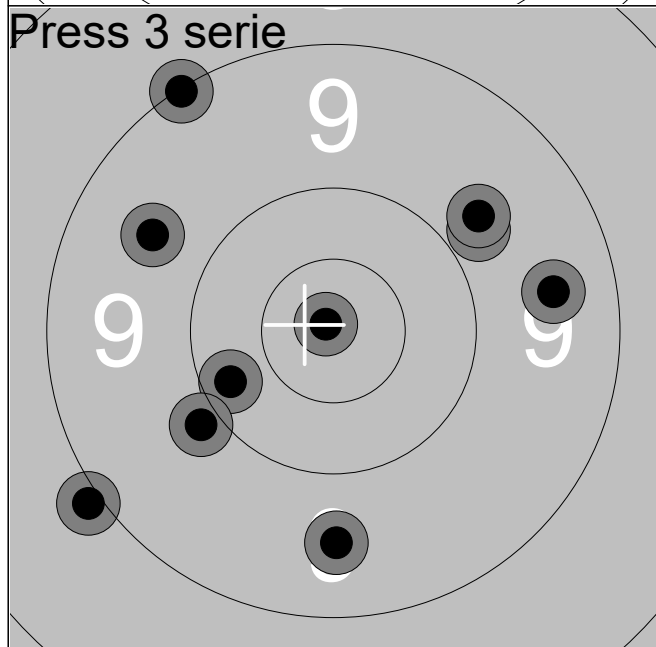
<b>Press 1 serie</b> 	<table style="width:100%; border-collapse: collapse;"> <tr><td style="text-align: right;">17.5s</td><td style="text-align: right;">9.8</td><td style="text-align: right;">↙</td></tr> <tr><td style="text-align: right;">51.8s</td><td style="text-align: right;">9.6</td><td style="text-align: right;">↖</td></tr> <tr><td style="text-align: right;">1:30m</td><td style="text-align: right;">8.7</td><td style="text-align: right;">↗</td></tr> <tr><td style="text-align: right;">2:07m</td><td style="text-align: right;">9.8</td><td style="text-align: right;">→</td></tr> <tr><td style="text-align: right;">2:44m</td><td style="text-align: right;">10.1</td><td style="text-align: right;">↗</td></tr> <tr><td style="text-align: right;">22.7s</td><td style="text-align: right;">5.6</td><td style="text-align: right;">↑</td></tr> <tr><td style="text-align: right;">51.1s</td><td style="text-align: right;">9.9</td><td style="text-align: right;">↖</td></tr> <tr><td style="text-align: right;">1:22m</td><td style="text-align: right;">10.3</td><td style="text-align: right;">↗</td></tr> <tr><td style="text-align: right;">1:55m</td><td style="text-align: right;">10.6x</td><td style="text-align: right;">↖</td></tr> <tr><td style="text-align: right;">2:28m</td><td style="text-align: right;">10.7x</td><td style="text-align: right;">↓</td></tr> <tr><td colspan="2"><b>Serie</b></td><td style="text-align: right;"><b>89 ( 2x)</b></td></tr> <tr><td colspan="2"><b>Total</b></td><td style="text-align: right;"><b>89 ( 2x)</b></td></tr> </table>	17.5s	9.8	↙	51.8s	9.6	↖	1:30m	8.7	↗	2:07m	9.8	→	2:44m	10.1	↗	22.7s	5.6	↑	51.1s	9.9	↖	1:22m	10.3	↗	1:55m	10.6x	↖	2:28m	10.7x	↓	<b>Serie</b>		<b>89 ( 2x)</b>	<b>Total</b>		<b>89 ( 2x)</b>
17.5s	9.8	↙																																			
51.8s	9.6	↖																																			
1:30m	8.7	↗																																			
2:07m	9.8	→																																			
2:44m	10.1	↗																																			
22.7s	5.6	↑																																			
51.1s	9.9	↖																																			
1:22m	10.3	↗																																			
1:55m	10.6x	↖																																			
2:28m	10.7x	↓																																			
<b>Serie</b>		<b>89 ( 2x)</b>																																			
<b>Total</b>		<b>89 ( 2x)</b>																																			
<b>Press 2 serie</b> 	<table style="width:100%; border-collapse: collapse;"> <tr><td style="text-align: right;">17.7s</td><td style="text-align: right;">10.7x</td><td style="text-align: right;">→</td></tr> <tr><td style="text-align: right;">49.7s</td><td style="text-align: right;">10.8x</td><td style="text-align: right;">↗</td></tr> <tr><td style="text-align: right;">1:18m</td><td style="text-align: right;">10.6x</td><td style="text-align: right;">↑</td></tr> <tr><td style="text-align: right;">1:46m</td><td style="text-align: right;">10.8x</td><td style="text-align: right;">↖</td></tr> <tr><td style="text-align: right;">2:10m</td><td style="text-align: right;">9.6</td><td style="text-align: right;">→</td></tr> <tr><td style="text-align: right;">28.2s</td><td style="text-align: right;">9.3</td><td style="text-align: right;">↖</td></tr> <tr><td style="text-align: right;">59.6s</td><td style="text-align: right;">10.3</td><td style="text-align: right;">↓</td></tr> <tr><td style="text-align: right;">1:35m</td><td style="text-align: right;">10.4x</td><td style="text-align: right;">↑</td></tr> <tr><td style="text-align: right;">2:13m</td><td style="text-align: right;">8.5</td><td style="text-align: right;">↖</td></tr> <tr><td style="text-align: right;">2:51m</td><td style="text-align: right;">10.1</td><td style="text-align: right;">↑</td></tr> <tr><td colspan="2"><b>Serie</b></td><td style="text-align: right;"><b>96 ( 5x)</b></td></tr> <tr><td colspan="2"><b>Total</b></td><td style="text-align: right;"><b>185 ( 7x)</b></td></tr> </table>	17.7s	10.7x	→	49.7s	10.8x	↗	1:18m	10.6x	↑	1:46m	10.8x	↖	2:10m	9.6	→	28.2s	9.3	↖	59.6s	10.3	↓	1:35m	10.4x	↑	2:13m	8.5	↖	2:51m	10.1	↑	<b>Serie</b>		<b>96 ( 5x)</b>	<b>Total</b>		<b>185 ( 7x)</b>
17.7s	10.7x	→																																			
49.7s	10.8x	↗																																			
1:18m	10.6x	↑																																			
1:46m	10.8x	↖																																			
2:10m	9.6	→																																			
28.2s	9.3	↖																																			
59.6s	10.3	↓																																			
1:35m	10.4x	↑																																			
2:13m	8.5	↖																																			
2:51m	10.1	↑																																			
<b>Serie</b>		<b>96 ( 5x)</b>																																			
<b>Total</b>		<b>185 ( 7x)</b>																																			
<b>Press 3 serie</b> 	<table style="width:100%; border-collapse: collapse;"> <tr><td style="text-align: right;">19.7s</td><td style="text-align: right;">8.4</td><td style="text-align: right;">↗</td></tr> <tr><td style="text-align: right;">54.6s</td><td style="text-align: right;">10.1</td><td style="text-align: right;">→</td></tr> <tr><td style="text-align: right;">1:26m</td><td style="text-align: right;">9.5</td><td style="text-align: right;">→</td></tr> <tr><td style="text-align: right;">2:03m</td><td style="text-align: right;">9.3</td><td style="text-align: right;">↑</td></tr> <tr><td style="text-align: right;">2:43m</td><td style="text-align: right;">9.8</td><td style="text-align: right;">↙</td></tr> <tr><td style="text-align: right;">28.5s</td><td style="text-align: right;">10.3</td><td style="text-align: right;">↖</td></tr> <tr><td style="text-align: right;">59.6s</td><td style="text-align: right;">8.7</td><td style="text-align: right;">↖</td></tr> <tr><td style="text-align: right;">1:37m</td><td style="text-align: right;">9.8</td><td style="text-align: right;">↖</td></tr> <tr><td style="text-align: right;">2:18m</td><td style="text-align: right;">9.6</td><td style="text-align: right;">↖</td></tr> <tr><td style="text-align: right;">2:53m</td><td style="text-align: right;">10.4</td><td style="text-align: right;">↖</td></tr> <tr><td colspan="2"><b>Serie</b></td><td style="text-align: right;"><b>91 ( 0x)</b></td></tr> <tr><td colspan="2"><b>Total</b></td><td style="text-align: right;"><b>276 ( 7x)</b></td></tr> </table>	19.7s	8.4	↗	54.6s	10.1	→	1:26m	9.5	→	2:03m	9.3	↑	2:43m	9.8	↙	28.5s	10.3	↖	59.6s	8.7	↖	1:37m	9.8	↖	2:18m	9.6	↖	2:53m	10.4	↖	<b>Serie</b>		<b>91 ( 0x)</b>	<b>Total</b>		<b>276 ( 7x)</b>
19.7s	8.4	↗																																			
54.6s	10.1	→																																			
1:26m	9.5	→																																			
2:03m	9.3	↑																																			
2:43m	9.8	↙																																			
28.5s	10.3	↖																																			
59.6s	8.7	↖																																			
1:37m	9.8	↖																																			
2:18m	9.6	↖																																			
2:53m	10.4	↖																																			
<b>Serie</b>		<b>91 ( 0x)</b>																																			
<b>Total</b>		<b>276 ( 7x)</b>																																			



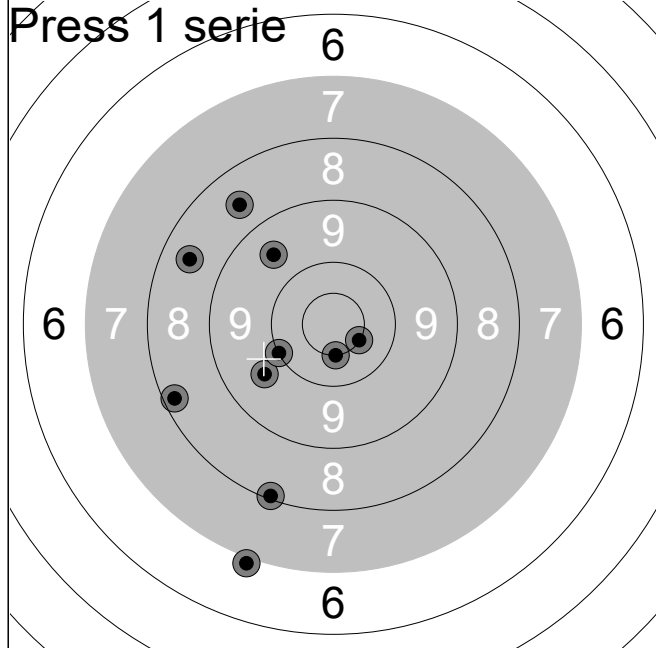
19.6s	9.3	↖
44.3s	10.8x	↗
1:09m	10.4	↘
2:01m	10.0	↘
2:29m	10.2	↘
14.4s	9.0	↗
43.9s	8.9	↙
1:41m	10.3	↙
2:08m	10.2	↗
3:09m	9.4	↖
<b>Serie</b>	<b>95 ( 1x)</b>	
<b>Total</b>	<b>95 ( 1x)</b>	



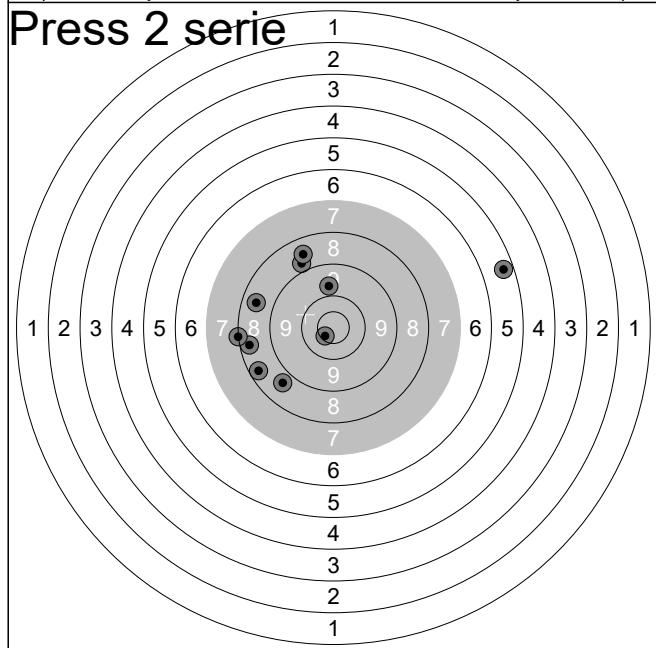
13.9s	7.8	↗
40.2s	10.4	↗
1:08m	10.4x	↘
1:57m	9.5	↗
2:24m	10.5x	↙
10.5s	10.7x	↘
35.9s	10.5x	↗
59.3s	10.1	↗
1:21m	10.3	↘
2:41m	9.8	↖
<b>Serie</b>	<b>95 ( 4x)</b>	
<b>Total</b>	<b>190 ( 5x)</b>	



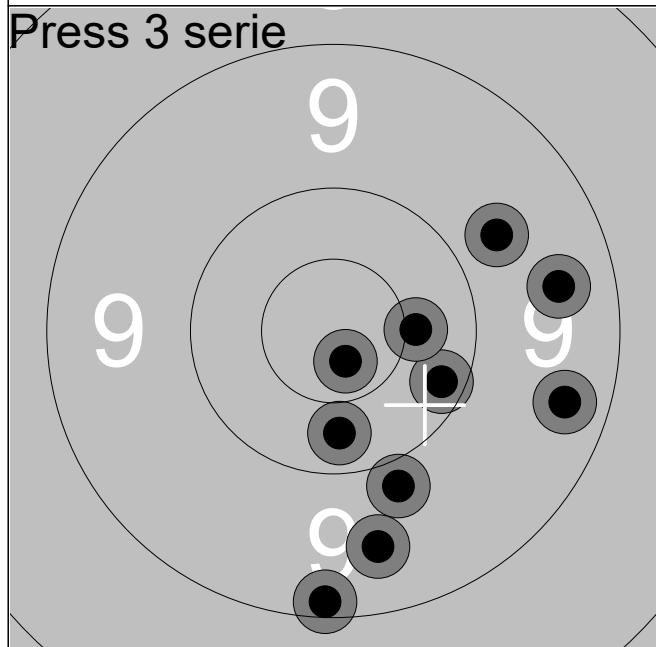
43.4s	9.1	↖
1:05m	10.2	↙
1:29m	9.6	↖
1:59m	9.8	↗
2:35m	9.6	↘
11.6s	10.9x	↗
34.1s	9.0	↙
58.8s	9.5	↗
1:24m	9.9	↙
1:56m	9.8	↗
<b>Serie</b>	<b>92 ( 1x)</b>	
<b>Total</b>	<b>282 ( 6x)</b>	



20.4s	8.6	↗
47.9s	8.5	↖
1:22m	8.1	↓
2:05m	7.0	↓
2:48m	9.6	↗
14.7s	9.7	↖
44.7s	8.2	↖
1:20m	10.5x	↘
1:50m	10.0	↖
2:26m	10.5x	↓
<b>Serie</b>		<b>87 ( 2x)</b>
<b>Total</b>		<b>87 ( 2x)</b>

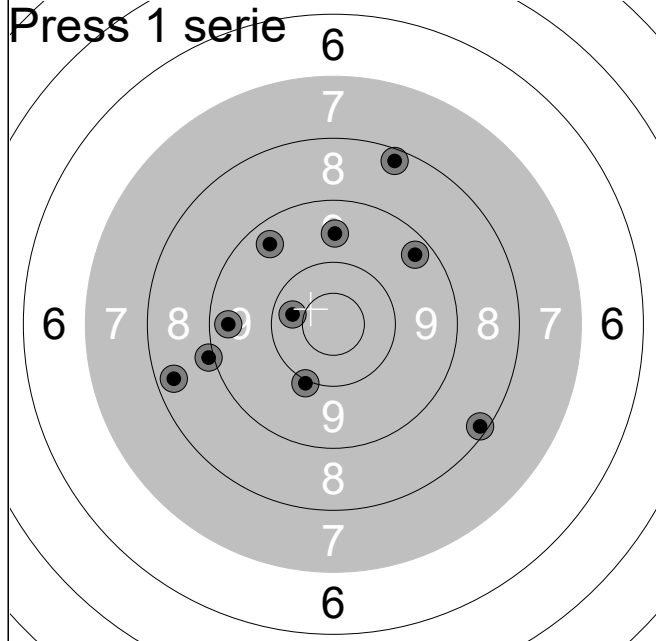


20.3s	9.7	↑
49.2s	5.4	→
2:03m	8.8	↗
2:47m	8.7	↘
3:20m	8.3	↖
12.9s	10.6x	↘
37.3s	8.5	↗
1:08m	8.3	↖
1:41m	8.5	↖
2:19m	8.0	↖
<b>Serie</b>		<b>80 ( 1x)</b>
<b>Total</b>		<b>167 ( 3x)</b>

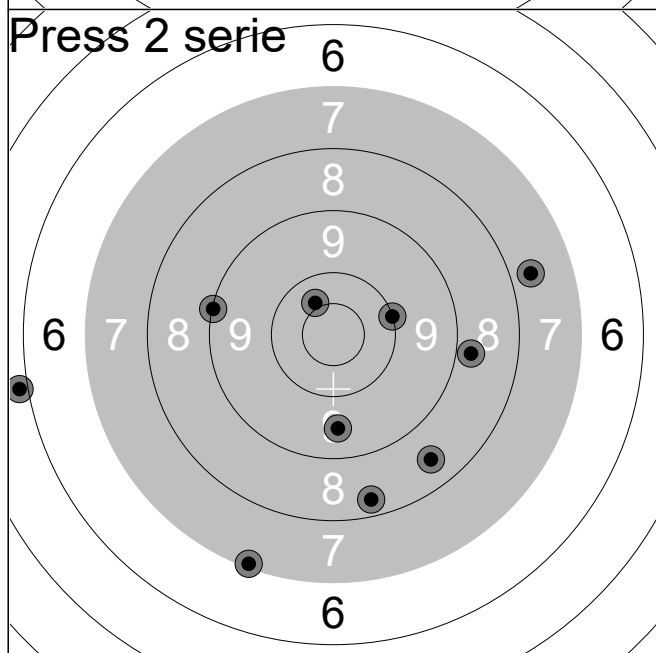


19.0s	9.5	→
48.5s	10.7x	↓
1:23m	9.4	→
2:11m	10.2	↘
2:51m	9.9	↓
29.6s	9.2	↓
1:02m	9.5	↓
1:36m	9.7	↗
2:10m	10.3	↓
2:44m	10.4x	→
<b>Serie</b>		<b>94 ( 2x)</b>
<b>Total</b>		<b>261 ( 5x)</b>

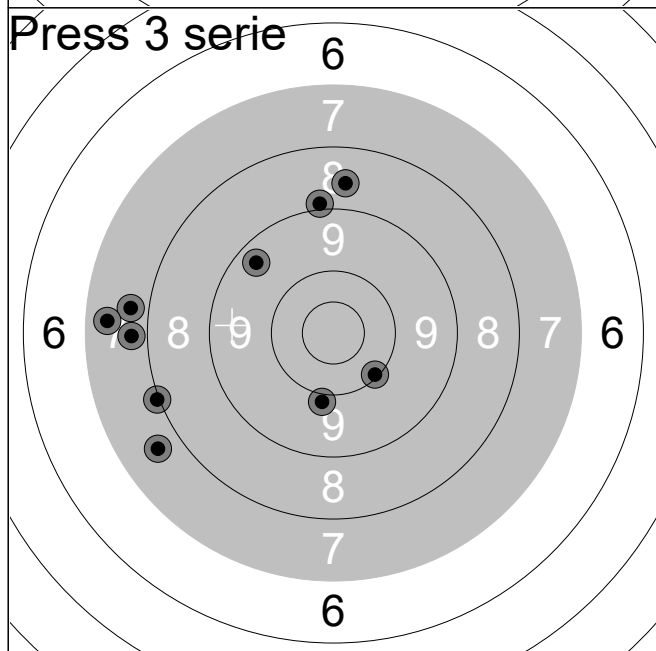




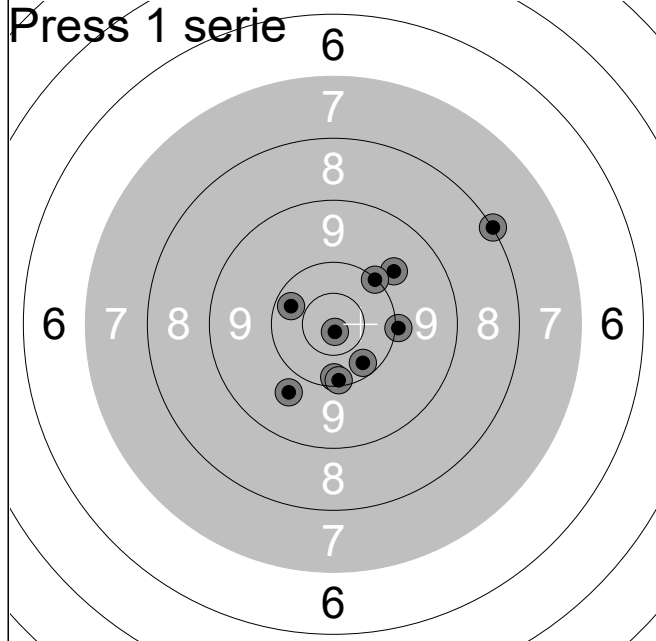
	32.2s	8.3	←
	44.2s	8.2	↑
	1:02m	8.2	↘
	1:22m	9.3	↗
	1:47m	9.0	←
	16.8s	10.0	↓
	32.0s	9.4	←
	1:30m	10.3	←
	1:51m	9.6	↑
	2:36m	9.4	↗
<b>Serie</b>		<b>89 ( 0x)</b>	
<b>Total</b>		<b>89 ( 0x)</b>	



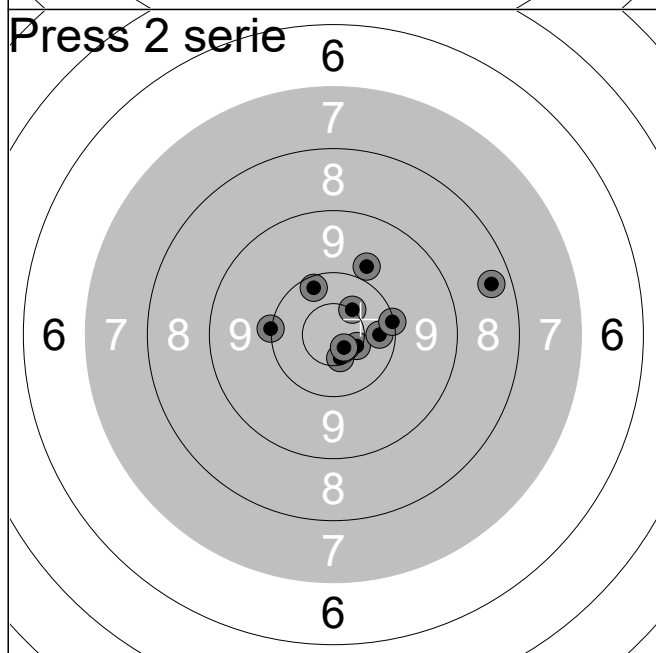
	19.9s	7.7	→
	38.2s	10.1	→
	1:01m	9.5	↓
	1:46m	8.8	→
	2:39m	8.3	↓
	41.5s	10.4x	↗
	1:03m	5.9	←
	1:24m	9.1	←
	1:44m	8.5	↓
	2:42m	7.1	↓
<b>Serie</b>		<b>81 ( 1x)</b>	
<b>Total</b>		<b>170 ( 1x)</b>	



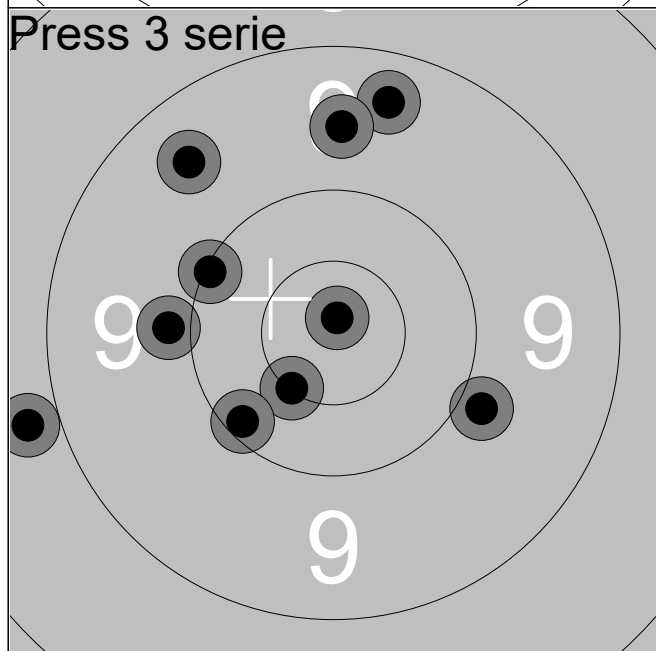
	36.9s	7.8	←
	55.8s	7.7	←
	1:12m	9.0	↑
	1:28m	9.9	↓
	1:51m	9.4	↗
	14.6s	7.4	←
	33.7s	10.1	↓
	53.3s	8.0	←
	1:44m	8.6	↑
	2:17m	7.8	←
<b>Serie</b>		<b>81 ( 0x)</b>	
<b>Total</b>		<b>251 ( 1x)</b>	



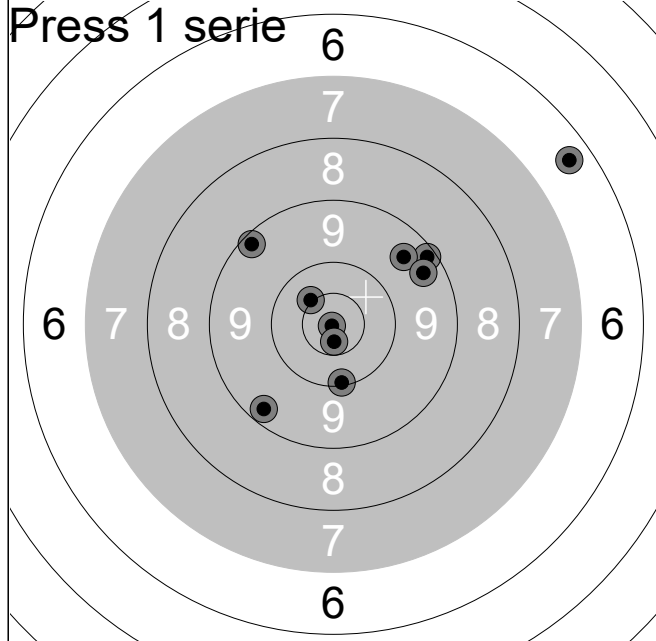
10.3s	10.2	↓
30.2s	10.8x	↓
50.7s	10.0	→
1:17m	10.1	↓
1:48m	10.2	↓
11.2s	8.0	↗
30.3s	9.8	↗
49.5s	10.3	←
1:12m	9.8	↓
1:38m	10.1	↗
<b>Serie</b>	<b>96 ( 1x)</b>	
<b>Total</b>	<b>96 ( 1x)</b>	



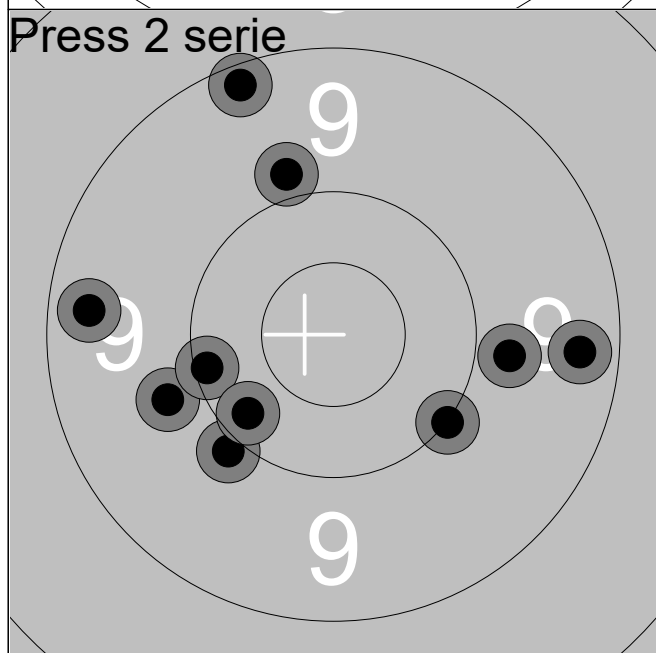
19.3s	10.6x	↘
51.8s	10.5x	↗
1:25m	10.2	↑
1:59m	10.6x	↓
2:48m	10.7x	↓
18.0s	10.0	←
45.2s	9.8	↗
1:18m	8.4	→
1:52m	10.3	→
2:31m	10.1	→
<b>Serie</b>	<b>97 ( 4x)</b>	
<b>Total</b>	<b>193 ( 5x)</b>	



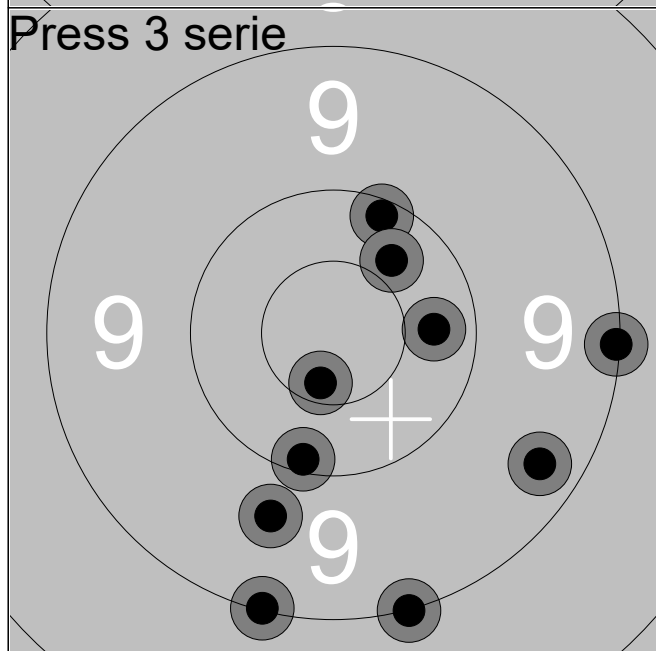
23.5s	9.4	↑
56.4s	10.5x	↓
1:25m	10.9x	↑
1:54m	8.8	←
2:40m	9.6	↑
17.3s	10.1	↖
48.7s	10.2	↓
1:27m	9.9	↘
1:57m	9.9	←
2:17m	9.5	↗
<b>Serie</b>	<b>93 ( 2x)</b>	
<b>Total</b>	<b>286 ( 7x)</b>	



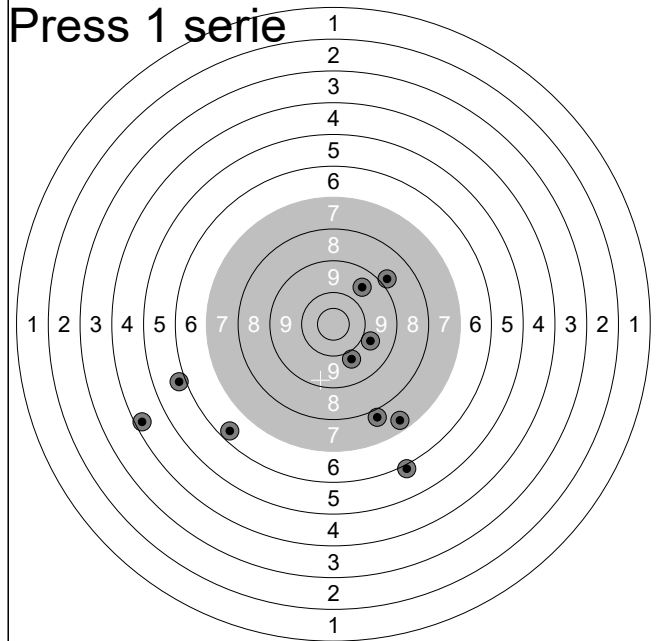
28.8s	9.2	↗
55.3s	9.5	↗
1:32m	9.2	↖
2:06m	6.4	↗
2:35m	10.9x	↙
31.3s	10.7x	↓
1:00m	10.5x	↖
1:31m	10.1	↓
2:10m	9.4	↗
2:47m	9.3	↙
<b>Serie</b>	<b>91 ( 3x)</b>	
<b>Total</b>	<b>91 ( 3x)</b>	



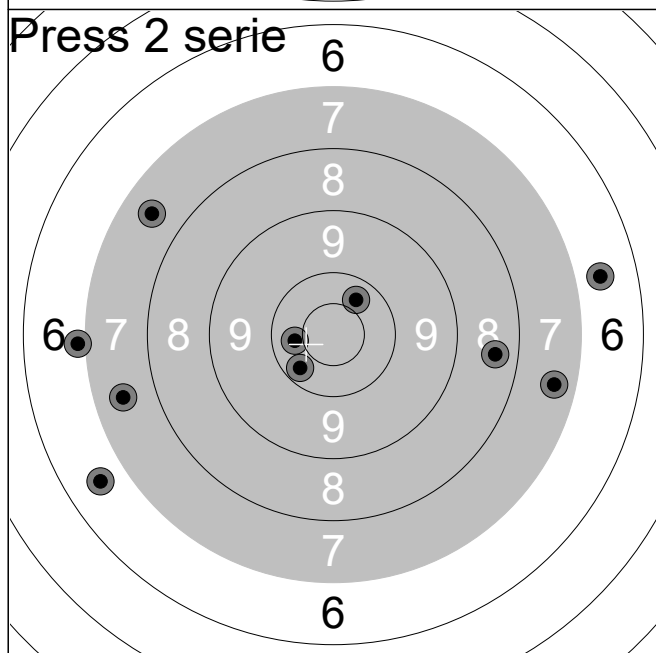
22.1s	9.2	↑
56.3s	9.8	←
1:29m	10.0	↙
2:03m	9.8	→
2:54m	9.3	←
20.3s	10.1	←
48.9s	10.2	↙
1:14m	9.9	↑
1:45m	9.3	→
2:21m	10.0	↘
<b>Serie</b>	<b>94 ( 0x)</b>	
<b>Total</b>	<b>185 ( 3x)</b>	



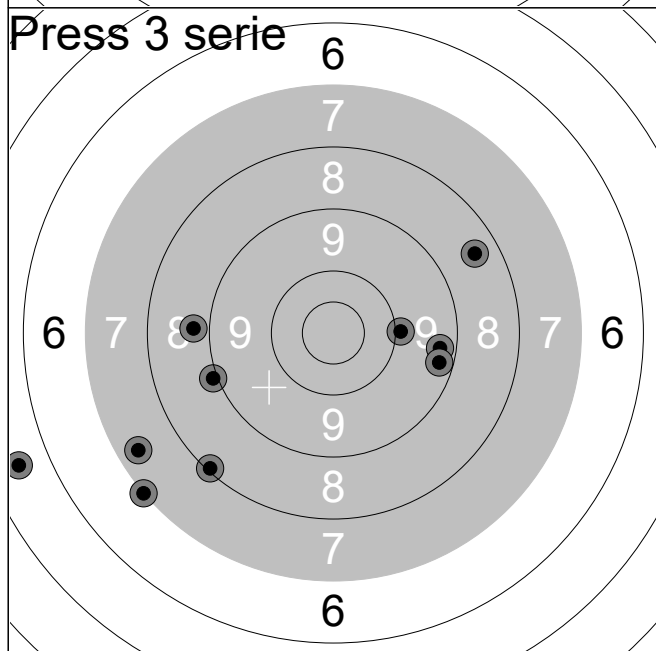
31.6s	10.2	↗
1:00m	10.3	→
1:31m	10.1	↓
2:39m	9.7	↙
3:14m	9.3	↘
28.4s	10.4	↗
1:06m	9.1	→
1:46m	9.1	↓
2:23m	9.1	↓
3:04m	10.6x	↓
<b>Serie</b>	<b>95 ( 1x)</b>	
<b>Total</b>	<b>280 ( 4x)</b>	



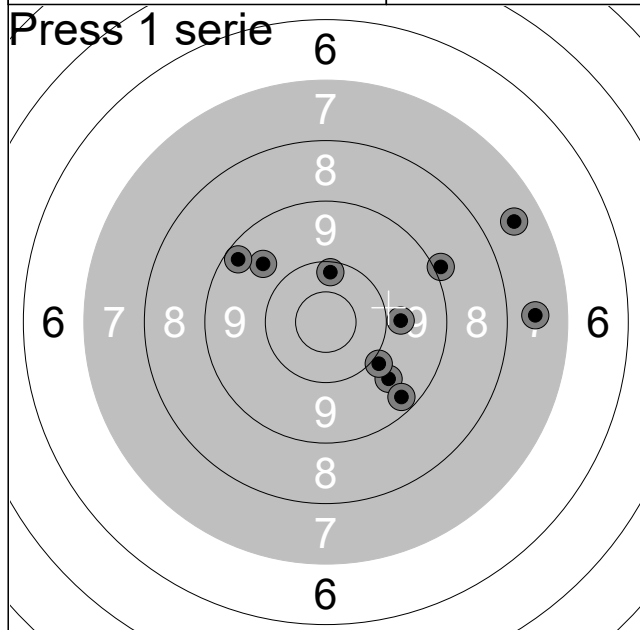
	45.7s	9.8	↘
	1:19m	5.9	↘
	1:57m	8.8	↗
	2:41m	5.9	←
	3:20m	6.4	↘
	13.5s	9.8	↗
	49.5s	7.8	↘
	1:27m	7.4	↘
	2:12m	9.6	↗
	3:29m	4.3	←
<b>Serie</b>			<b>69 ( 0x)</b>
<b>Total</b>			<b>69 ( 0x)</b>



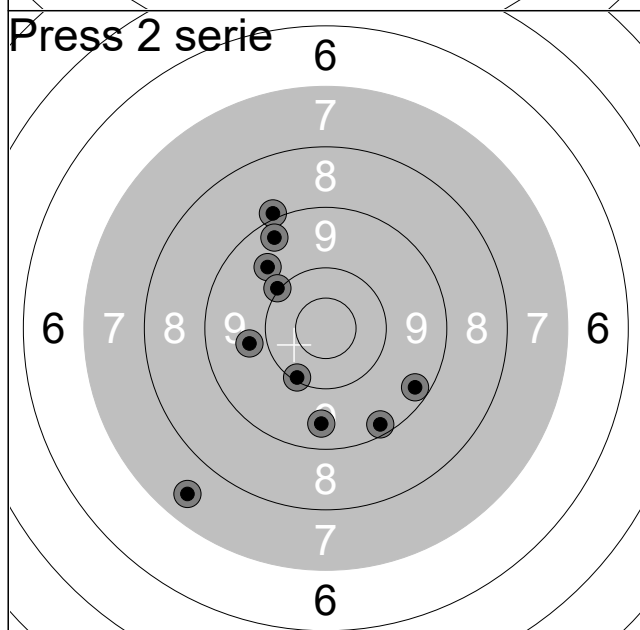
	16.0s	7.4	→
	52.4s	6.7	→
	1:33m	6.9	←
	2:15m	7.5	↗
	3:02m	6.6	←
	14.7s	10.4	←
	52.4s	10.3	↘
	1:26m	8.4	→
	2:07m	7.5	←
	2:48m	10.3	↗
<b>Serie</b>			<b>77 ( 0x)</b>
<b>Total</b>			<b>146 ( 0x)</b>



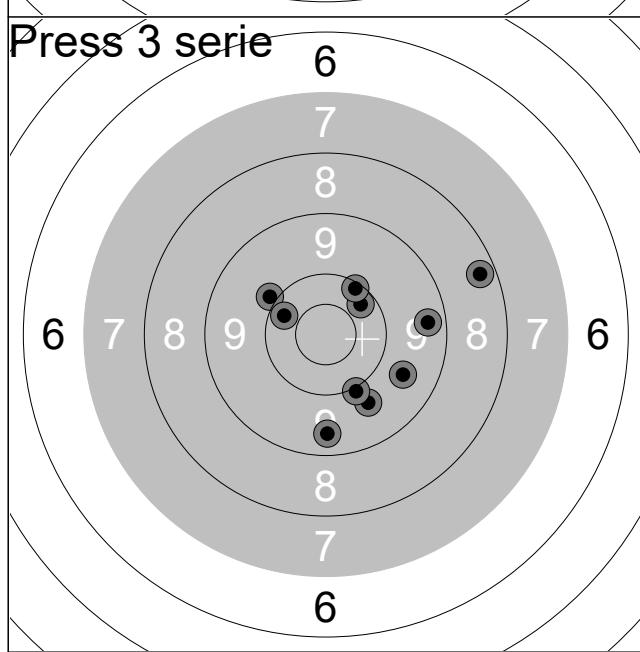
	18.5s	7.1	↘
	53.6s	7.4	↘
	1:44m	10.0	→
	2:30m	8.8	←
	3:18m	5.6	←
	21.3s	9.0	←
	59.3s	9.3	→
	1:40m	8.4	↗
	2:15m	9.3	→
	3:00m	8.1	↘
<b>Serie</b>			<b>80 ( 0x)</b>
<b>Total</b>			<b>226 ( 0x)</b>



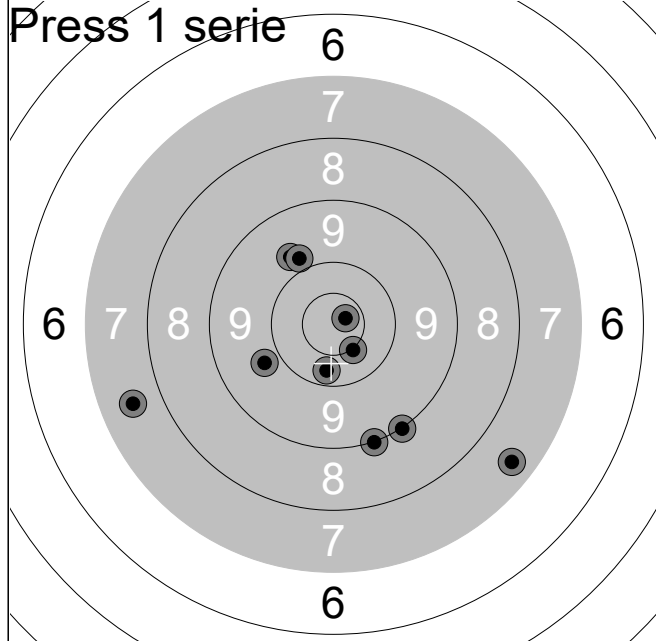
24.4s	9.7	↘
59.7s	7.6	→
1:31m	9.6	↗
2:35m	9.8	→
3:09m	9.3	↘
57.0s	9.9	↘
1:59m	9.0	↗
2:26m	10.2	↑
2:52m	7.5	↗
4:02m	9.3	↖
<b>Serie</b>		<b>87 ( 0x)</b>
<b>Total</b>		<b>87 ( 0x)</b>



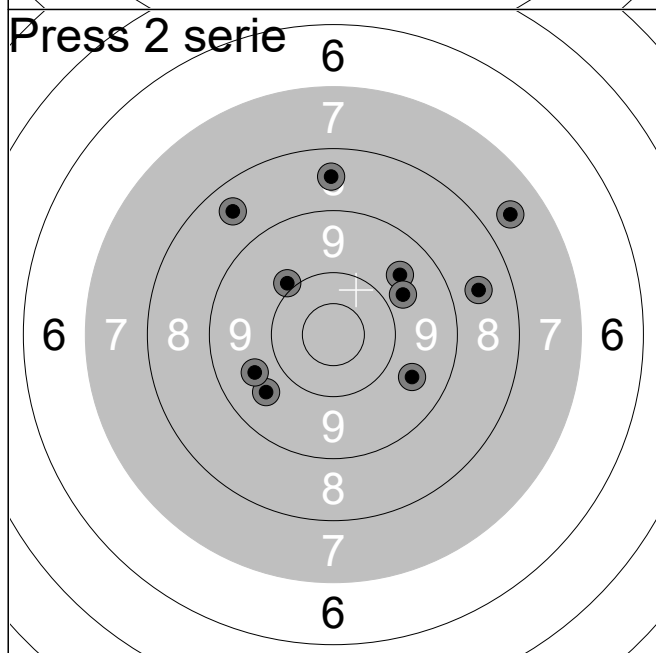
47.7s	9.0	↗
1:12m	9.3	↗
2:25m	9.7	↗
3:10m	7.5	↘
3:34m	9.5	↘
53.2s	9.8	←
1:22m	10.0	↗
2:30m	9.2	↘
2:57m	10.1	↘
3:28m	9.3	↘
<b>Serie</b>		<b>90 ( 0x)</b>
<b>Total</b>		<b>177 ( 0x)</b>



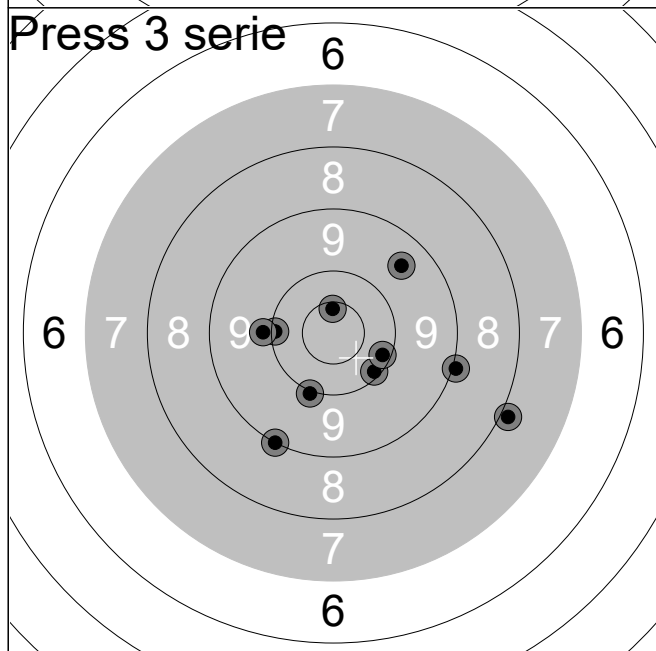
18.5s	9.7	↘
47.0s	9.6	↘
1:21m	10.3	↗
1:55m	8.3	→
2:27m	9.4	→
25.7s	10.1	↗
1:00m	9.9	↗
1:45m	10.3	↖
2:20m	9.4	↘
2:50m	10.0	↘
<b>Serie</b>		<b>93 ( 0x)</b>
<b>Total</b>		<b>270 ( 0x)</b>



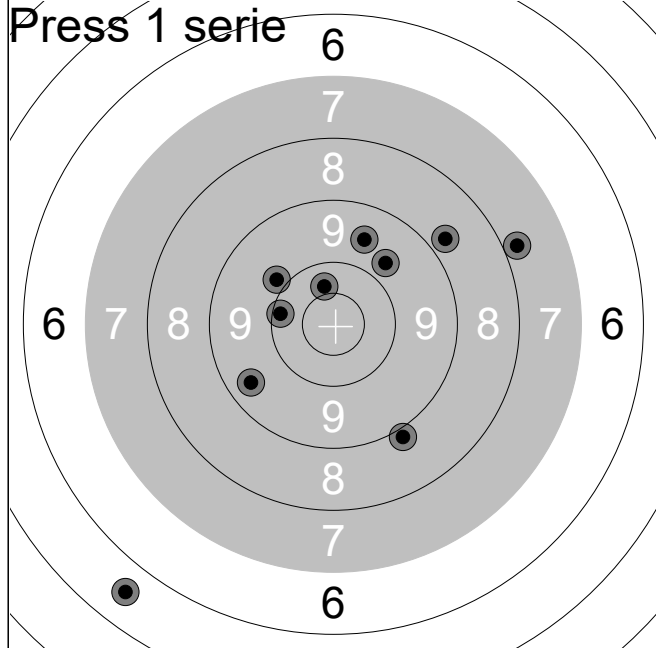
13.6s	9.8	↗
1:03m	7.4	↘
1:37m	10.8x	↗
2:24m	9.8	↖
3:56m	10.5x	↘
15.7s	9.0	↘
55.6s	9.0	↘
1:25m	7.6	↖
2:00m	9.9	↗
2:30m	10.3	↘
<b>Serie</b>	<b>89 ( 2x)</b>	
<b>Total</b>	<b>89 ( 2x)</b>	



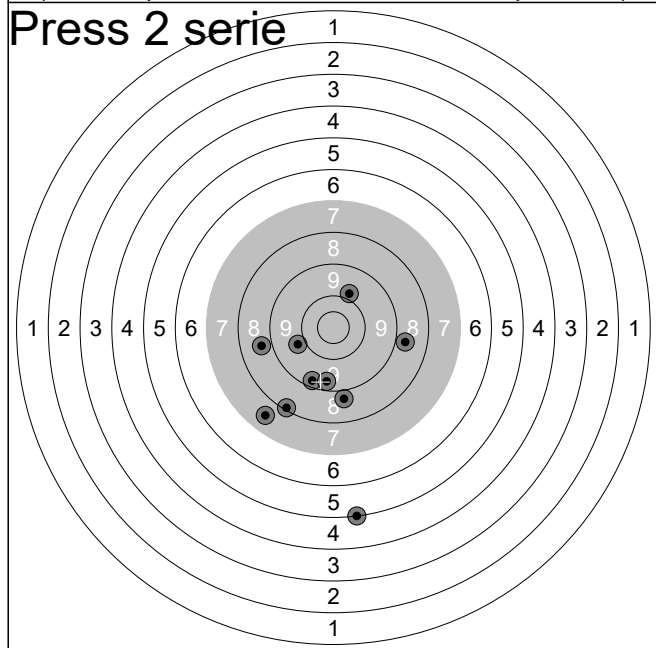
32.7s	9.6	↘
1:05m	9.6	↖
1:55m	9.6	↗
2:44m	7.6	↗
3:26m	8.5	↗
18.8s	8.5	↑
46.0s	9.9	↗
1:55m	9.7	↖
3:00m	8.6	↗
3:33m	9.8	↗
<b>Serie</b>	<b>85 ( 0x)</b>	
<b>Total</b>	<b>174 ( 2x)</b>	



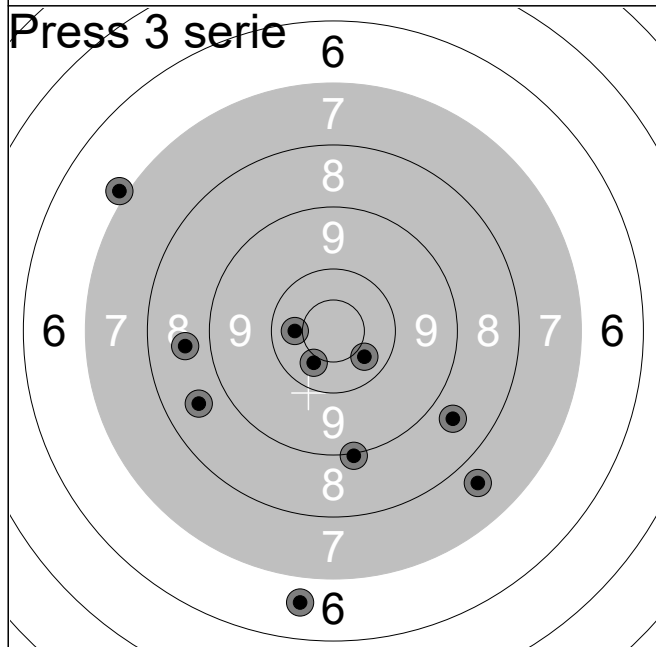
25.6s	10.1	↘
1:19m	10.1	↖
2:09m	10.2	↘
3:06m	9.5	↗
3:52m	7.9	↘
31.2s	9.1	↘
59.2s	10.0	↘
1:37m	10.6x	↑
3:04m	9.0	↗
3:54m	9.9	↖
<b>Serie</b>	<b>93 ( 1x)</b>	
<b>Total</b>	<b>267 ( 3x)</b>	



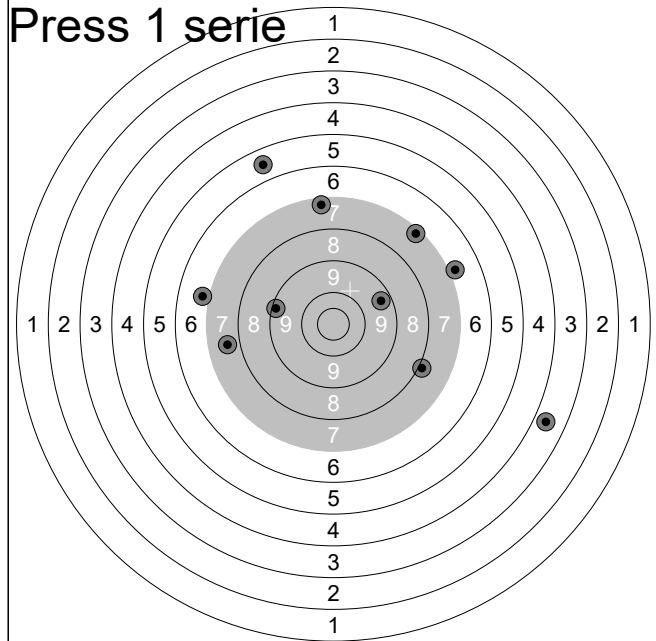
16.5s	9.9	↖
36.1s	9.6	↑
1:02m	8.8	↗
1:23m	7.8	→
2:26m	10.4	↑
17.3s	9.4	↖
37.2s	9.8	↗
1:14m	8.9	↓
1:42m	5.6	↘
1:54m	10.2	←
<b>Serie</b>	<b>84 ( 0x)</b>	
<b>Total</b>	<b>84 ( 0x)</b>	



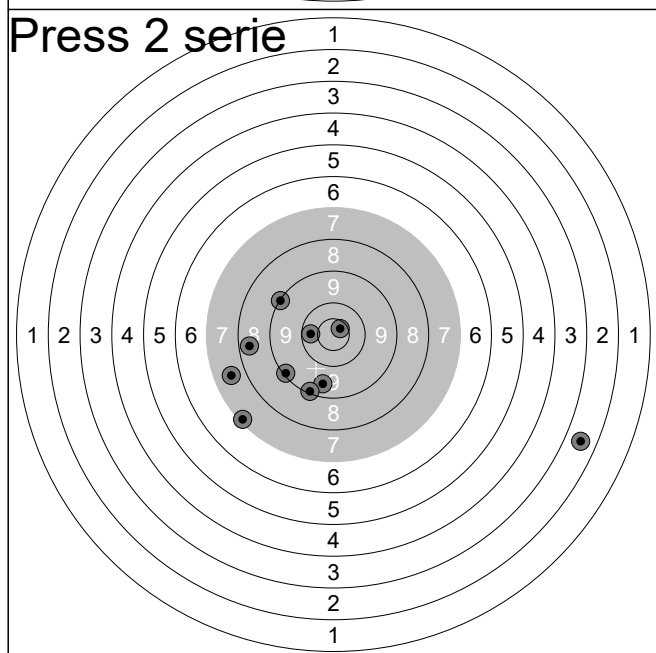
11.7s	9.9	↗
27.9s	9.8	↖
46.3s	9.3	↓
1:28m	5.1	↓
1:51m	8.8	↓
14.1s	7.6	↖
28.7s	8.1	↖
47.5s	9.4	↓
1:25m	8.7	←
1:51m	8.7	→
<b>Serie</b>	<b>80 ( 0x)</b>	
<b>Total</b>	<b>164 ( 0x)</b>	



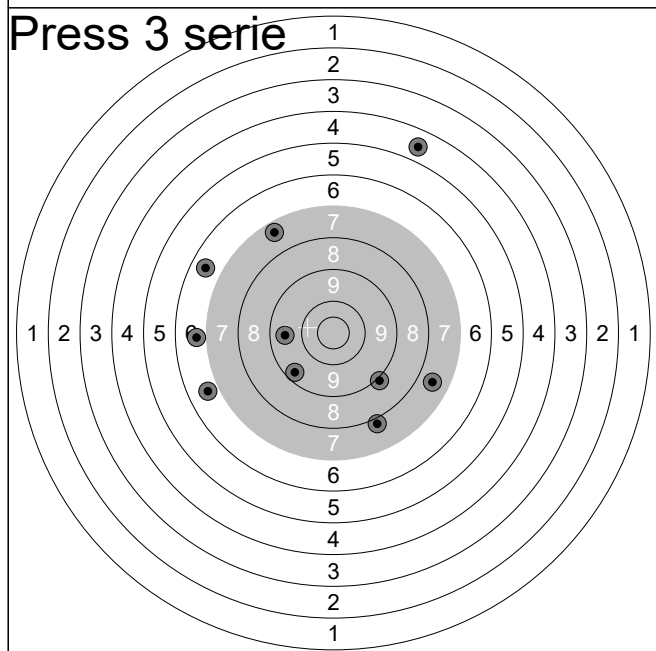
10.9s	10.4	←
32.2s	9.0	↓
58.6s	6.7	↓
1:27m	10.4	↘
2:05m	10.4x	↘
16.3s	8.6	←
39.8s	6.9	↗
1:15m	8.7	↘
1:59m	7.7	↘
2:36m	8.6	↖
<b>Serie</b>	<b>82 ( 1x)</b>	
<b>Total</b>	<b>246 ( 1x)</b>	



	31.0s	5.6			↗
	50.6s	7.9			→
	1:04m	7.7			←
	1:24m	9.4			↗
	1:40m	3.7			→
	19.7s	6.8			↗
	42.3s	9.2			←
	1:01m	7.3			↑
	1:27m	6.8			←
	1:49m	7.2			↗
<b>Serie</b>					<b>66 ( 0x)</b>
<b>Total</b>					<b>66 ( 0x)</b>

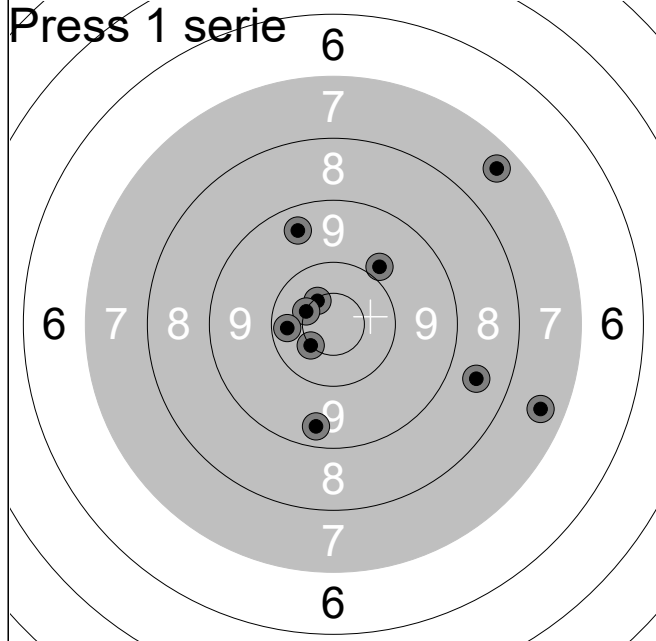


	15.3s	2.6			→
	32.8s	7.6			←
	58.3s	9.5			↓
	1:21m	9.1			↓
	16.8s	8.4			←
	28.5s	10.3			←
	56.3s	7.1			↙
	1:21m	10.7x			↗
	1:52m	9.1			↙
	2:20m	9.1			↙
<b>Serie</b>					<b>80 ( 1x)</b>
<b>Total</b>					<b>146 ( 1x)</b>

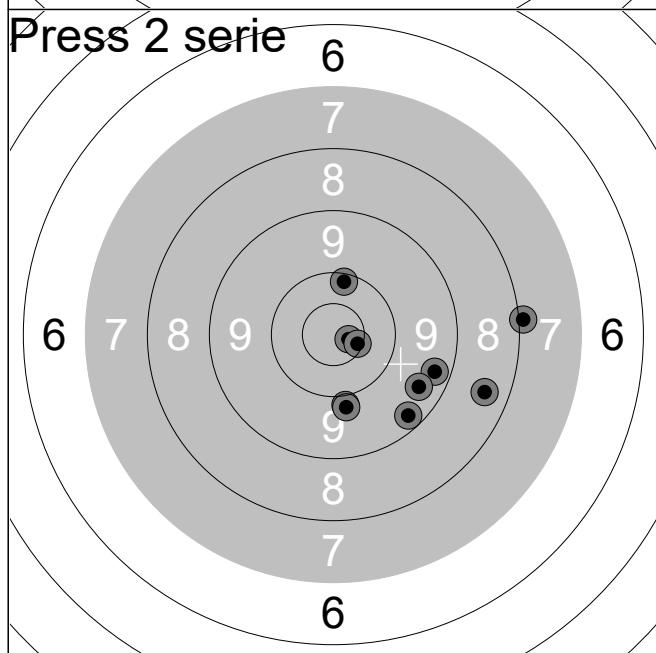


	19.9s	9.0			↘
	38.0s	6.7			←
	52.3s	9.5			←
	1:12m	6.5			↙
	1:33m	6.7			←
	6.99s	4.6			↑
	1:17m	9.3			↙
	1:20m	7.9			↓
	1:35m	7.4			↗
	1:56m	7.6			↘
<b>Serie</b>					<b>70 ( 0x)</b>
<b>Total</b>					<b>216 ( 1x)</b>

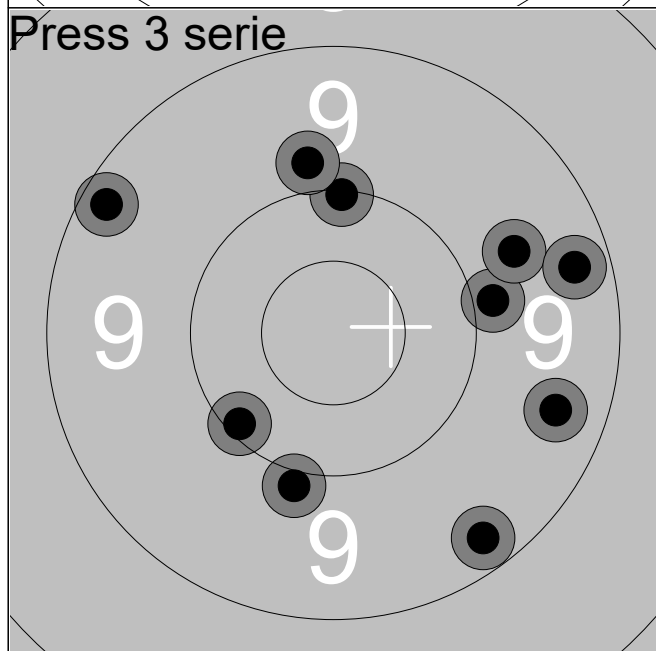




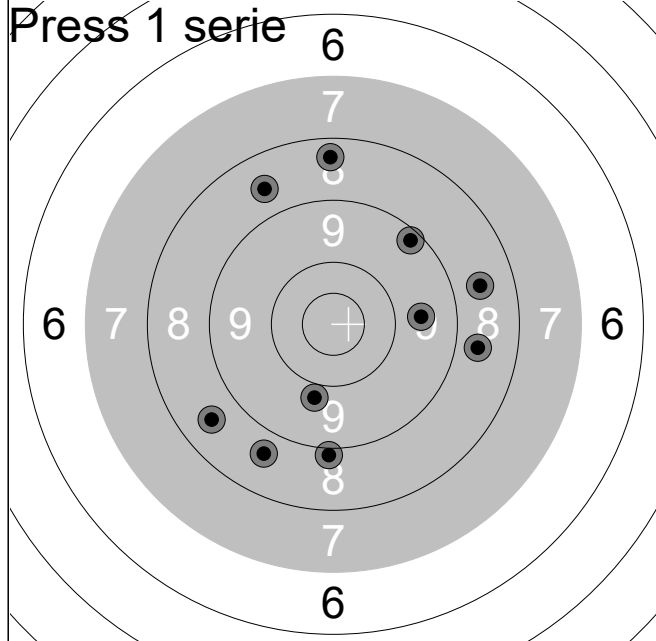
21.9s	9.4	↗
52.9s	7.4	↗
1:18m	9.9	↗
1:50m	7.4	→
2:33m	10.5x	↗
21.4s	10.5x	↖
56.2s	9.4	↓
1:35m	10.5x	↖
2:12m	10.3	←
3:42m	8.6	→
<b>Serie</b>	<b>89 ( 3x)</b>	
<b>Total</b>	<b>89 ( 3x)</b>	



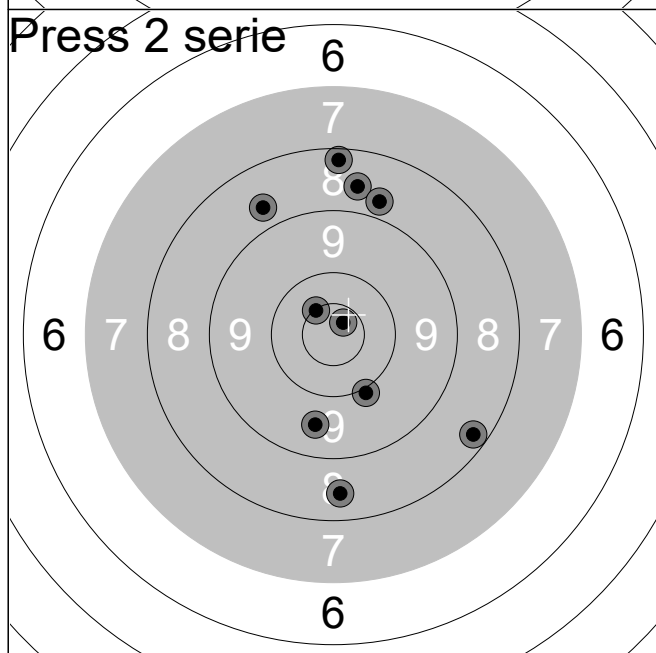
25.5s	10.7x	→
1:31m	8.0	→
1:52m	8.4	→
2:21m	9.3	→
3:02m	9.5	↘
23.6s	10.2	↑
58.3s	9.9	↓
1:42m	10.6x	→
2:29m	9.9	↓
3:15m	9.3	↘
<b>Serie</b>	<b>91 ( 2x)</b>	
<b>Total</b>	<b>180 ( 5x)</b>	



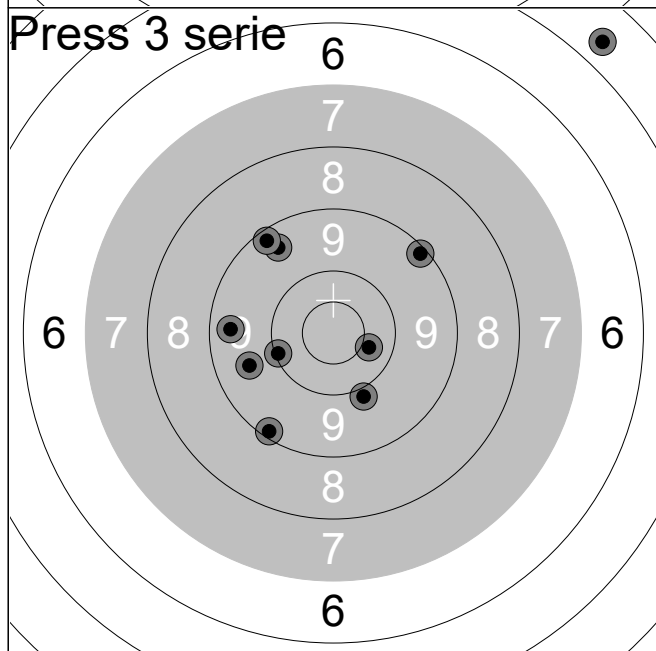
28.0s	9.2	↖
56.7s	10.1	↖
1:34m	9.3	↘
2:14m	9.4	→
2:59m	9.9	→
16.1s	10.1	↑
1:21m	9.7	↗
2:00m	10.0	↓
2:38m	9.9	↑
3:18m	9.3	→
<b>Serie</b>	<b>93 ( 0x)</b>	
<b>Total</b>	<b>273 ( 5x)</b>	



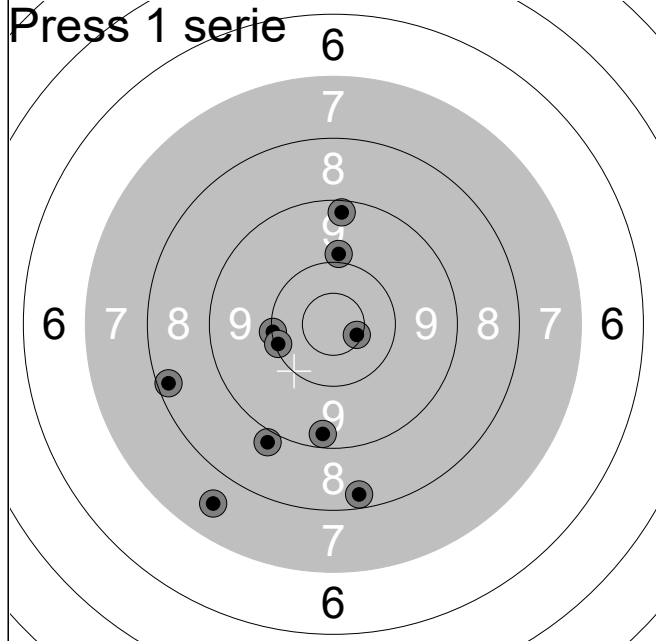
16.4s	9.8	↓
1:10m	9.0	↓
2:04m	8.6	↙
2:24m	8.6	→
2:52m	9.6	→
14.2s	8.7	↓
46.5s	8.6	↗
1:23m	8.7	→
2:04m	8.4	↑
3:23m	9.2	↗
<b>Serie</b>	<b>84 ( 0x)</b>	
<b>Total</b>	<b>84 ( 0x)</b>	



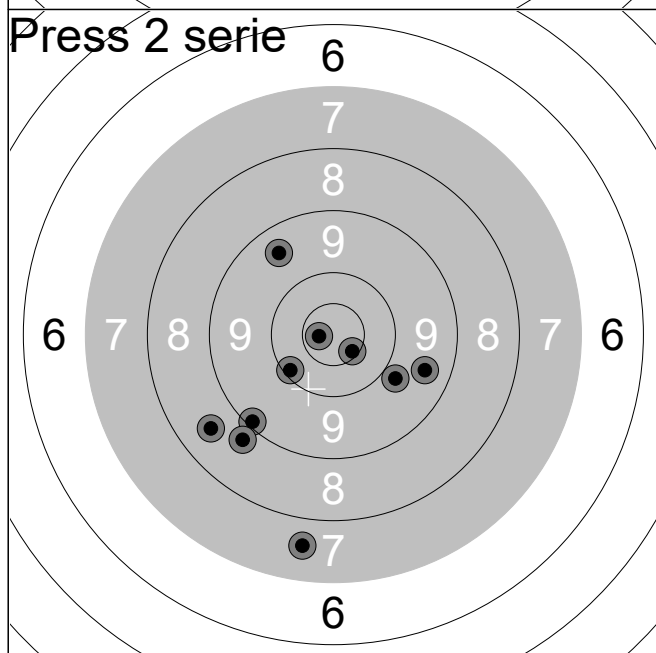
11.1s	8.5	↓
1:00m	8.6	↑
1:54m	8.7	↗
2:13m	10.5x	↗
3:39m	10.0	↓
33.9s	10.7x	↗
58.4s	8.2	↑
1:24m	9.6	↓
1:57m	8.3	↘
2:31m	8.8	↑
<b>Serie</b>	<b>87 ( 2x)</b>	
<b>Total</b>	<b>171 ( 2x)</b>	



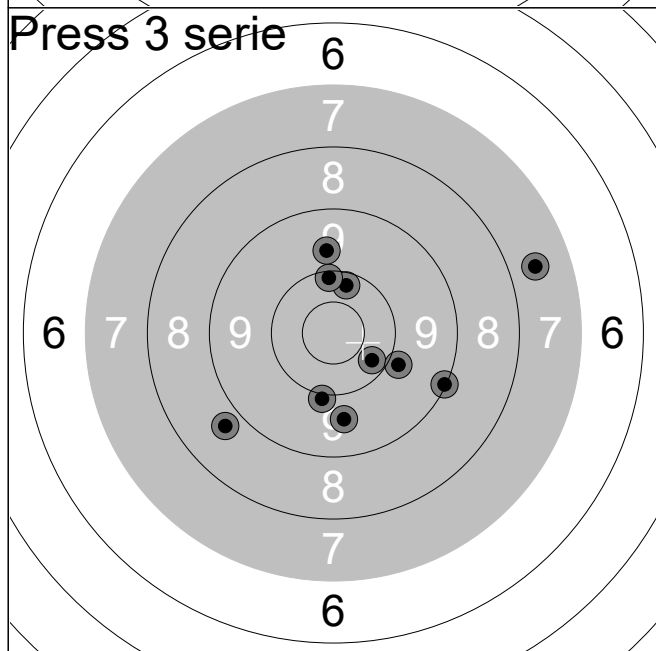
11.9s	9.6	↙
1:08m	9.4	↗
1:43m	9.2	↓
2:32m	9.4	↙
3:07m	9.2	↗
18.8s	4.7	↗
36.9s	9.2	↗
1:04m	10.1	↙
2:16m	10.4	→
2:45m	9.9	↓
<b>Serie</b>	<b>87 ( 0x)</b>	
<b>Total</b>	<b>258 ( 2x)</b>	



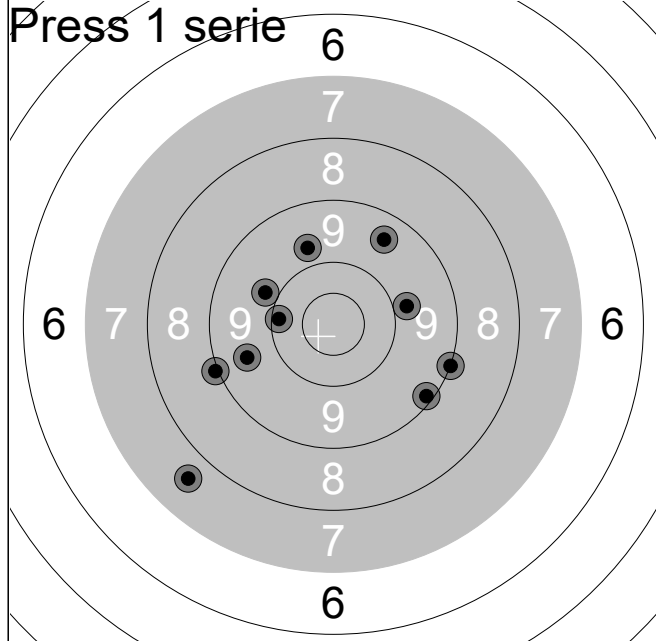
12.0s	10.1	←
36.2s	9.2	↑
1:23m	8.2	←
1:43m	10.1	←
2:04m	10.6x	→
1:07m	8.3	↓
1:57m	7.6	↙
2:14m	9.9	↑
2:19m	9.3	↓
2:39m	8.9	↘
<b>Serie</b>	<b>88 ( 1x)</b>	
<b>Total</b>	<b>88 ( 1x)</b>	



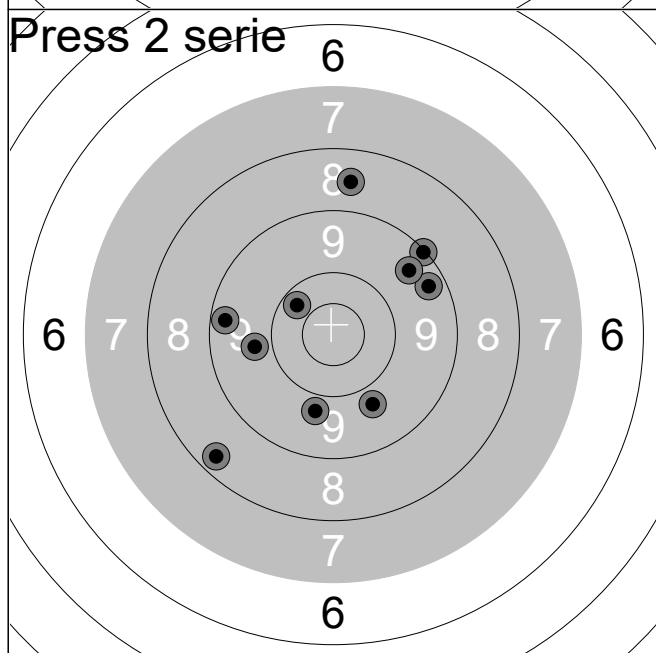
9.27s	9.5	→
31.9s	9.1	↙
1:21m	9.8	→
2:08m	10.1	↙
2:25m	8.6	↙
10.1s	10.7x	←
59.9s	9.5	↗
1:25m	8.8	↙
2:15m	10.6x	↘
3:01m	7.6	↓
<b>Serie</b>	<b>89 ( 2x)</b>	
<b>Total</b>	<b>177 ( 3x)</b>	



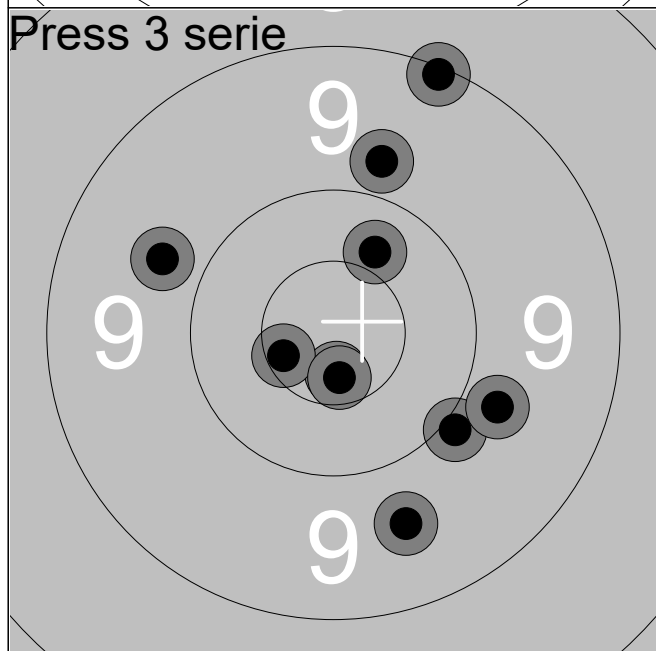
10.3s	10.2	↑
1:29m	10.1	↑
1:33m	10.0	↓
1:57m	8.8	↙
2:44m	10.3	↘
9.19s	7.6	→
59.9s	9.7	↓
2:22m	9.1	↘
2:41m	9.7	↑
2:46m	9.9	→
<b>Serie</b>	<b>91 ( 0x)</b>	
<b>Total</b>	<b>268 ( 3x)</b>	



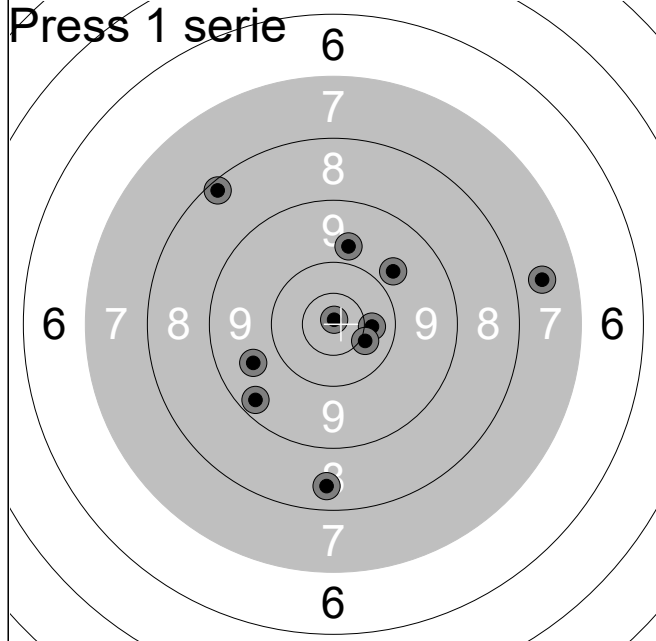
17.9s	9.0	→
43.0s	9.8	→
1:15m	9.8	↑
1:48m	9.9	↖
2:24m	9.0	←
17.0s	10.2	←
1:16m	7.6	↘
1:48m	9.6	←
2:17m	9.5	↗
2:46m	9.2	↘
<b>Serie</b>	<b>89 ( 0x)</b>	
<b>Total</b>	<b>89 ( 0x)</b>	



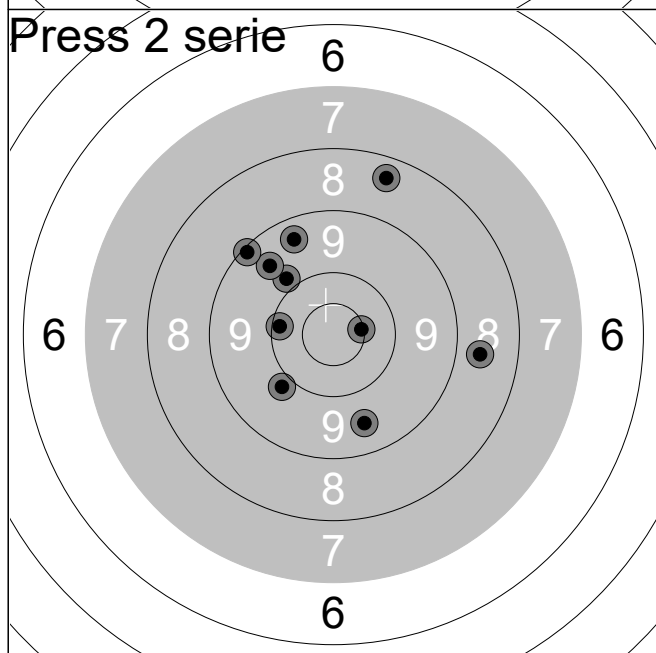
16.1s	8.3	↙
42.2s	10.3	↖
1:08m	9.1	↗
1:42m	9.3	←
2:14m	9.8	↓
22.5s	9.3	↗
52.8s	9.8	↘
1:25m	9.8	←
1:57m	9.5	↗
2:33m	8.6	↑
<b>Serie</b>	<b>89 ( 0x)</b>	
<b>Total</b>	<b>178 ( 0x)</b>	



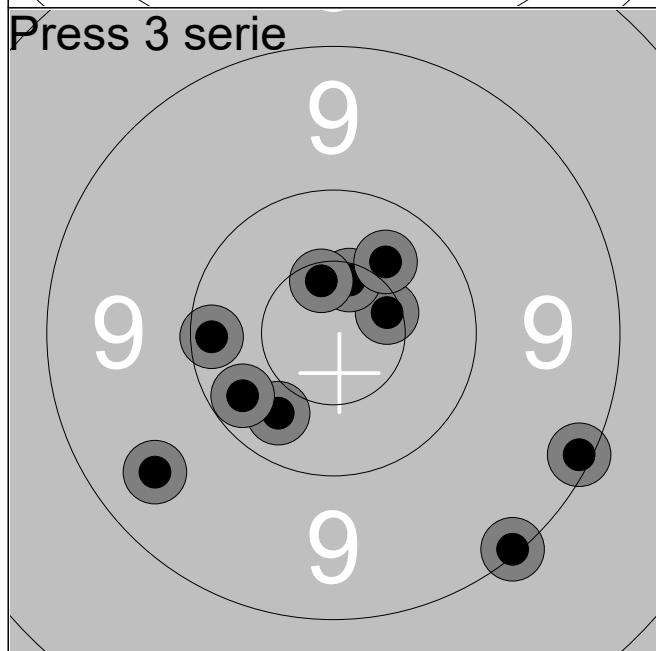
23.7s	9.1	↗
52.6s	9.8	←
1:24m	10.7x	↓
1:54m	10.0	↘
2:27m	10.6x	←
21.5s	9.8	→
1:22m	10.7x	↓
1:59m	9.6	↓
2:34m	10.4	↗
3:10m	9.8	↑
<b>Serie</b>	<b>95 ( 3x)</b>	
<b>Total</b>	<b>273 ( 3x)</b>	



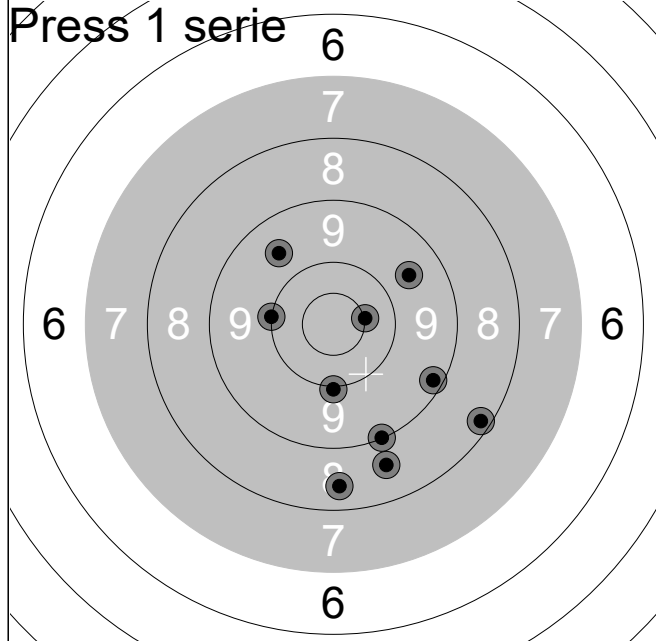
40.0s	8.2	↖
57.4s	9.8	↑
1:20m	8.5	↓
1:39m	10.4	→
1:57m	9.3	↙
19.9s	10.4x	↘
37.3s	10.9x	↑
57.4s	9.8	↗
1:16m	7.6	→
1:35m	9.6	←
<b>Serie</b>		<b>89 ( 2x)</b>
<b>Total</b>		<b>89 ( 2x)</b>



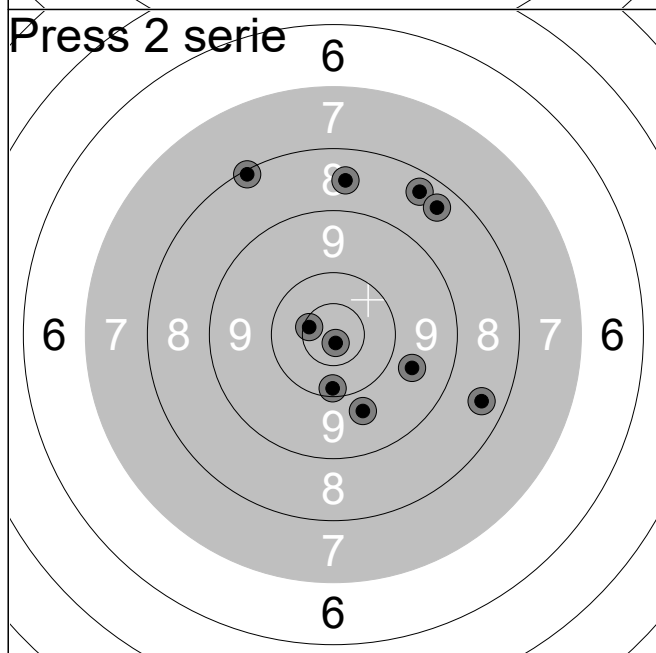
19.7s	10.2	←
40.4s	8.7	→
59.5s	9.9	↗
1:20m	8.4	↑
1:43m	9.5	↓
19.2s	9.6	↗
41.4s	9.4	↑
1:01m	9.9	↙
1:26m	9.1	↗
1:47m	10.5x	→
<b>Serie</b>		<b>90 ( 1x)</b>
<b>Total</b>		<b>179 ( 3x)</b>



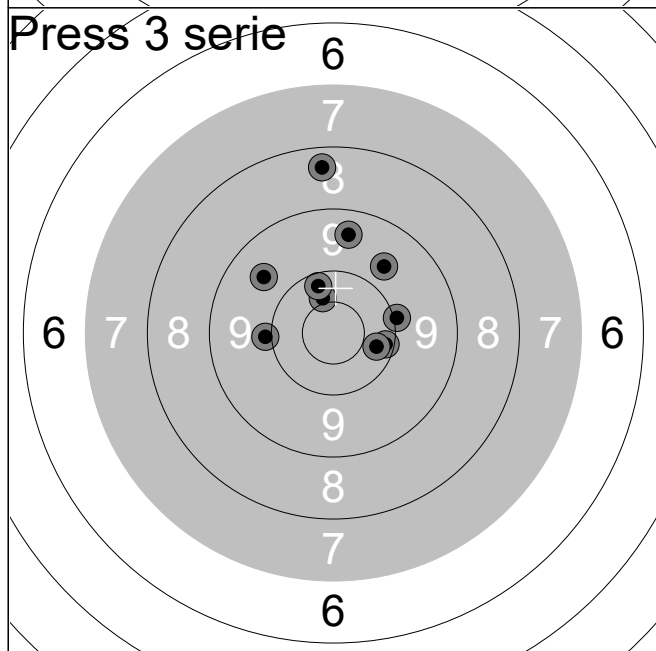
39.5s	10.2	←
57.3s	9.1	↘
1:17m	10.6x	→
1:38m	9.5	↙
2:27m	9.1	↘
19.3s	10.6x	↑
37.8s	10.4	↗
56.4s	10.3	↙
1:38m	10.6x	↑
1:59m	10.3	↙
<b>Serie</b>		<b>97 ( 3x)</b>
<b>Total</b>		<b>276 ( 6x)</b>



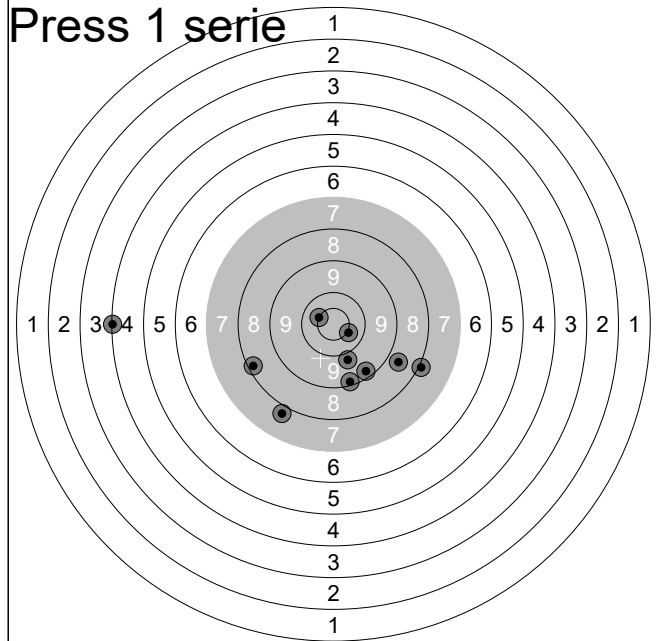
27.6s	9.2	↘
1:24m	8.2	↘
1:54m	8.4	↓
2:56m	9.6	↗
3:19m	8.6	↘
21.9s	9.6	↗
44.9s	10.5x	→
1:54m	9.1	↘
2:47m	10.0	←
3:36m	10.0	↓
<b>Serie</b>	<b>90 ( 1x)</b>	
<b>Total</b>	<b>90 ( 1x)</b>	



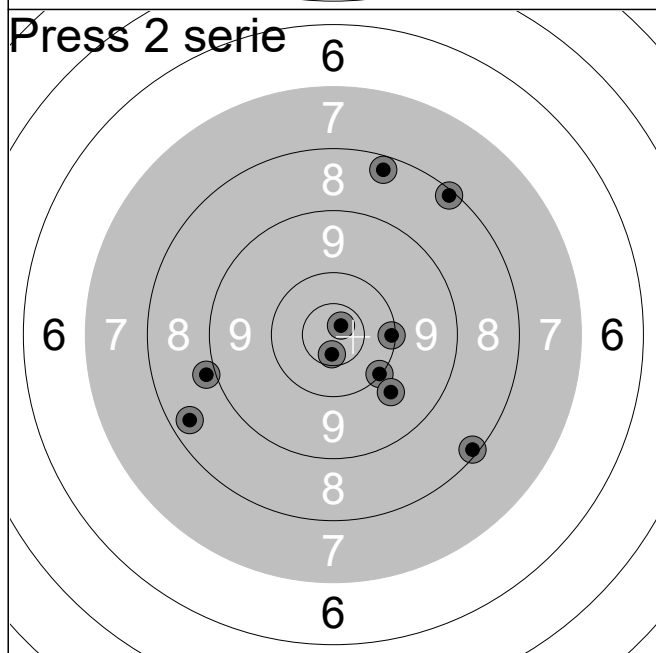
16.2s	10.2	↓
1:06m	8.1	↗
1:30m	8.4	↘
1:58m	9.7	↓
2:30m	8.6	↑
18.1s	8.4	↗
1:15m	9.7	↘
1:39m	10.6x	←
2:35m	8.4	↗
3:04m	10.8x	↓
<b>Serie</b>	<b>88 ( 2x)</b>	
<b>Total</b>	<b>178 ( 3x)</b>	



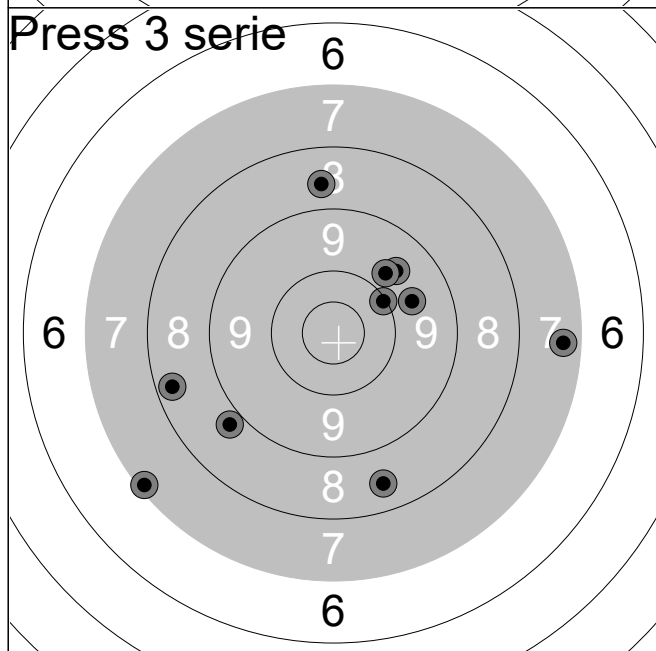
1:11m	8.4	↑
1:37m	10.2	→
2:37m	10.4x	↑
3:03m	10.2	↑
3:55m	9.7	↗
22.8s	9.5	↑
50.7s	10.0	←
1:28m	10.0	→
1:57m	10.3	→
2:22m	9.6	↖
<b>Serie</b>	<b>95 ( 1x)</b>	
<b>Total</b>	<b>273 ( 4x)</b>	



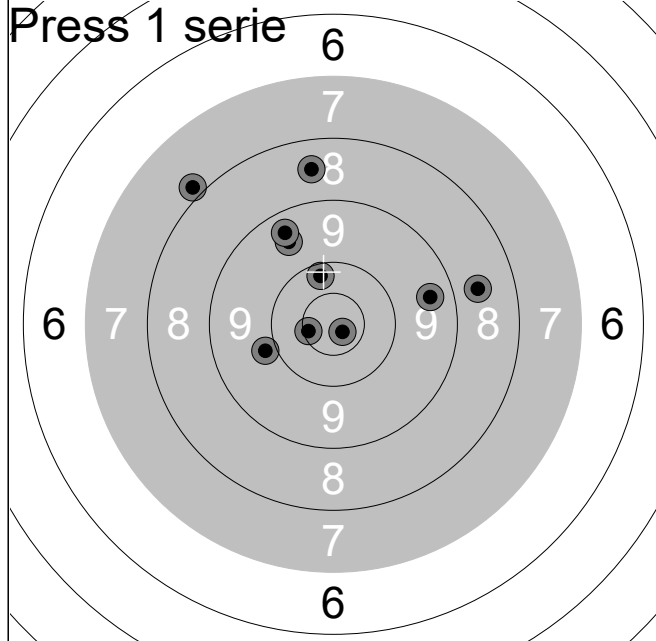
	12.5s	7.8			↘
	37.4s	10.5x			↖
	1:03m	9.2			↘
	1:39m	9.2			↘
	2:02m	10.5x			↘
	11.8s	8.7			↘
	36.7s	8.0			↘
	1:06m	8.2			↖
	1:35m	4.1			↖
	2:16m	9.8			↘
<b>Serie</b>				<b>82 ( 2x)</b>	
<b>Total</b>				<b>82 ( 2x)</b>	



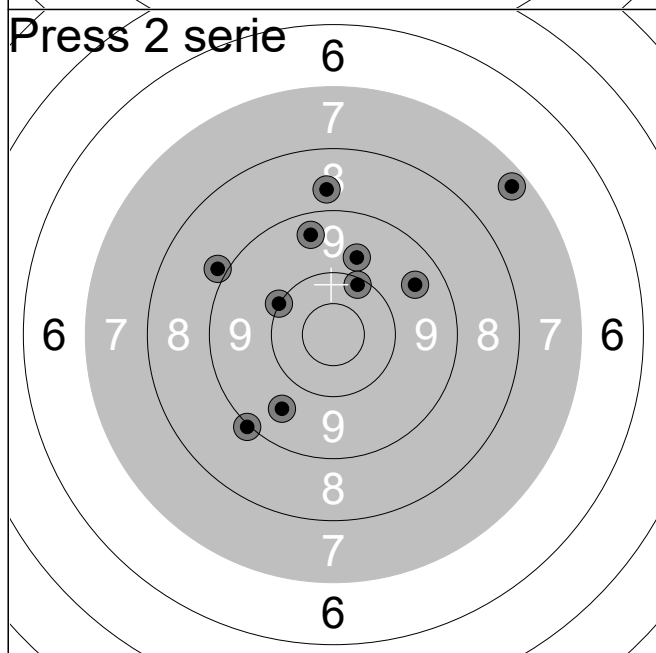
	13.6s	8.1			↗
	34.2s	10.7x			↓
	1:00m	10.1			→
	1:22m	8.4			↖
	1:45m	8.9			↖
	9.71s	10.8x			↗
	30.5s	10.1			↘
	53.1s	9.7			↘
	1:13m	8.3			↑
	1:31m	8.2			↘
<b>Serie</b>				<b>89 ( 2x)</b>	
<b>Total</b>				<b>171 ( 4x)</b>	



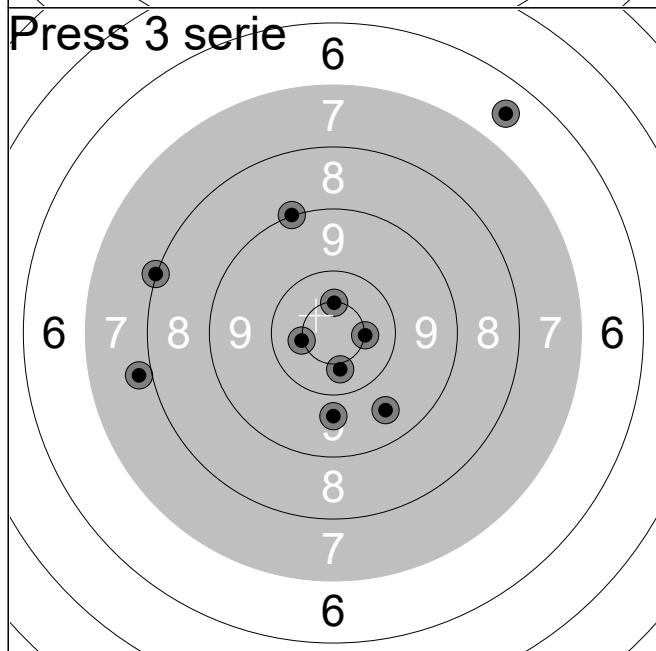
	14.7s	8.8			↖
	42.2s	10.1			↗
	1:07m	8.5			↘
	1:39m	9.6			↗
	2:18m	8.3			↖
	13.0s	7.2			↖
	33.9s	7.3			→
	59.9s	9.7			↗
	1:21m	8.6			↑
	1:44m	9.8			↗
<b>Serie</b>				<b>83 ( 0x)</b>	
<b>Total</b>				<b>254 ( 4x)</b>	



15.8s	9.9	←
42.1s	10.6x	←
1:07m	9.5	↑
1:36m	8.7	→
2:44m	9.4	→
20.5s	10.2	↑
45.4s	10.8x	↘
1:12m	7.9	↑
1:47m	9.4	↑
2:17m	8.5	↑
<b>Serie</b>	<b>89 ( 2x)</b>	
<b>Total</b>	<b>89 ( 2x)</b>	

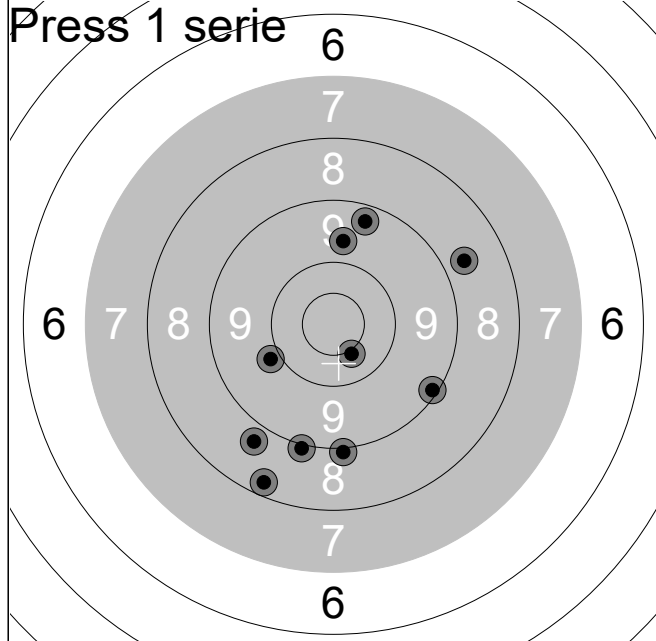


22.1s	9.8	↑
46.6s	9.0	↙
1:11m	9.6	↙
1:41m	10.0	↖
2:20m	9.4	↑
18.2s	9.5	↗
49.2s	10.1	↑
1:20m	8.9	↖
1:54m	8.7	↑
2:31m	7.3	↗
<b>Serie</b>	<b>88 ( 0x)</b>	
<b>Total</b>	<b>177 ( 2x)</b>	

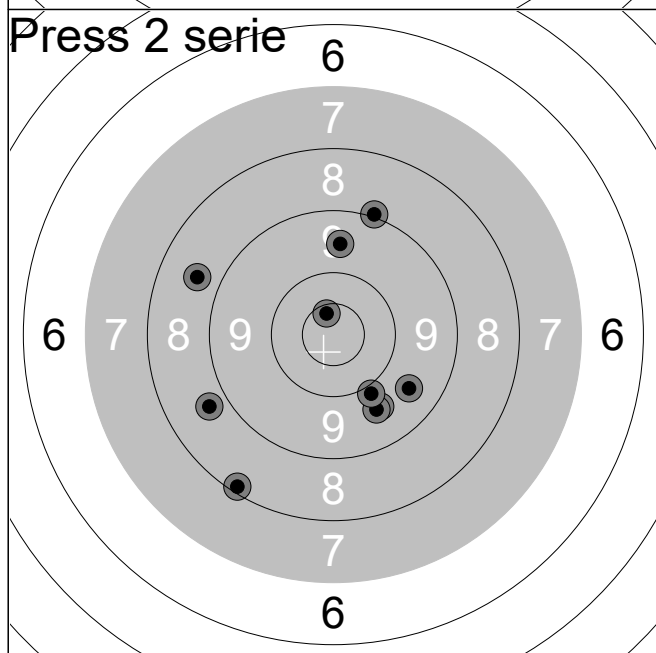


18.7s	6.6	↗
46.9s	7.9	←
1:13m	8.0	←
1:52m	9.0	↑
2:20m	10.5x	→
47.0s	10.5x	←
1:10m	10.5x	↑
1:37m	10.4x	↓
2:06m	9.6	↘
2:38m	9.7	↓
<b>Serie</b>	<b>88 ( 4x)</b>	
<b>Total</b>	<b>265 ( 6x)</b>	

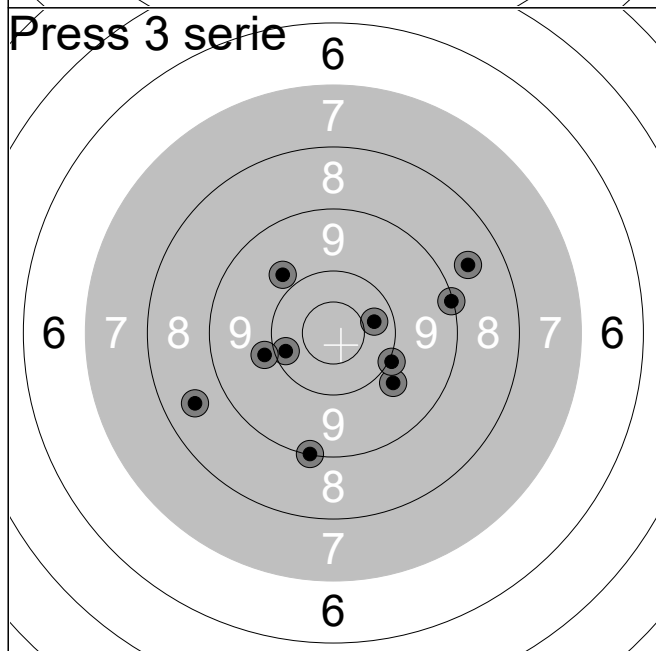




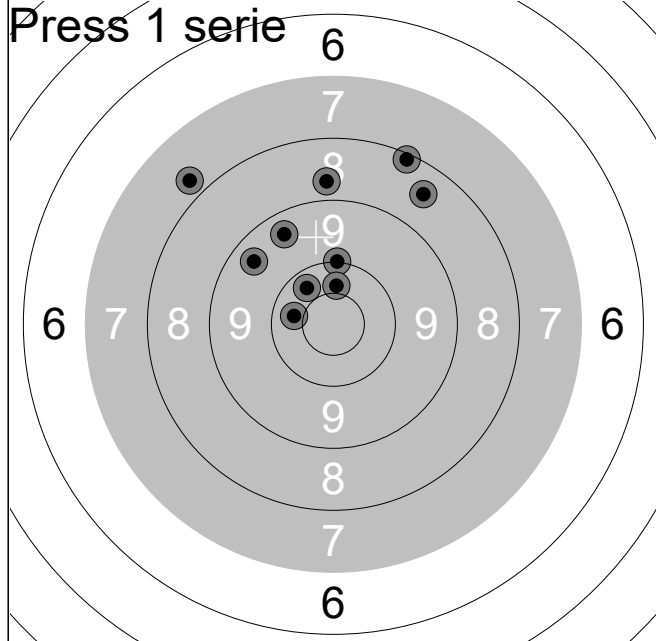
21.1s	9.3	↑
46.5s	9.9	←
1:21m	9.7	↑
1:56m	9.0	↓
2:31m	8.8	↙
21.2s	9.1	↘
45.6s	8.3	↓
1:16m	8.7	→
1:53m	9.0	↓
2:35m	10.4x	↓
<b>Serie</b>	<b>88 ( 1x)</b>	
<b>Total</b>	<b>88 ( 1x)</b>	



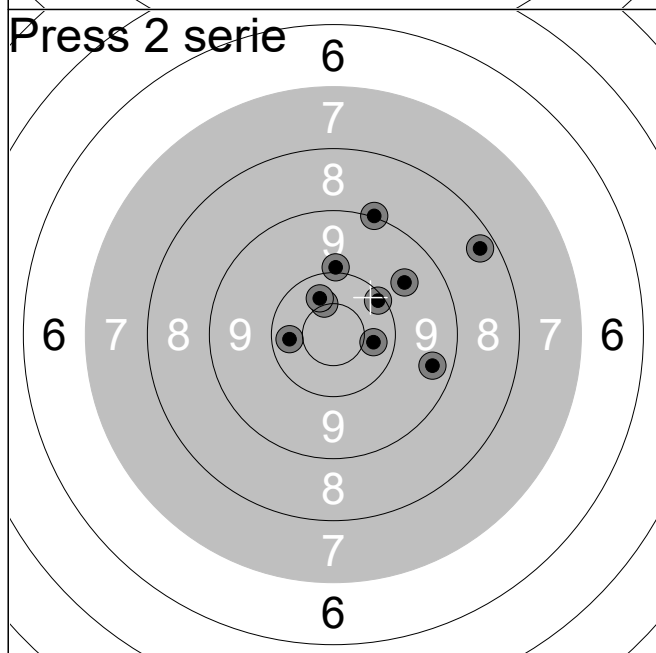
21.6s	9.7	↘
52.1s	10.6x	↑
1:23m	9.6	↘
1:54m	9.7	↓
2:30m	8.2	↙
23.6s	9.6	↑
52.0s	9.0	↑
1:24m	9.9	↘
2:05m	8.8	←
2:50m	8.7	↙
<b>Serie</b>	<b>88 ( 1x)</b>	
<b>Total</b>	<b>176 ( 2x)</b>	



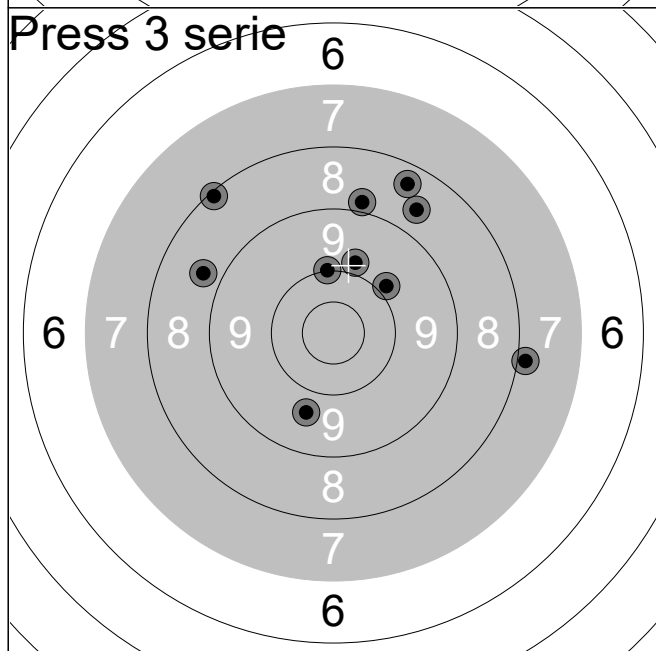
24.8s	9.8	↘
59.2s	10.2	←
2:31m	9.9	←
2:56m	8.6	→
3:58m	9.1	→
26.2s	8.6	←
54.9s	10.3	→
1:31m	9.8	↗
2:04m	10.0	↘
3:13m	9.1	↓
<b>Serie</b>	<b>91 ( 0x)</b>	
<b>Total</b>	<b>267 ( 2x)</b>	



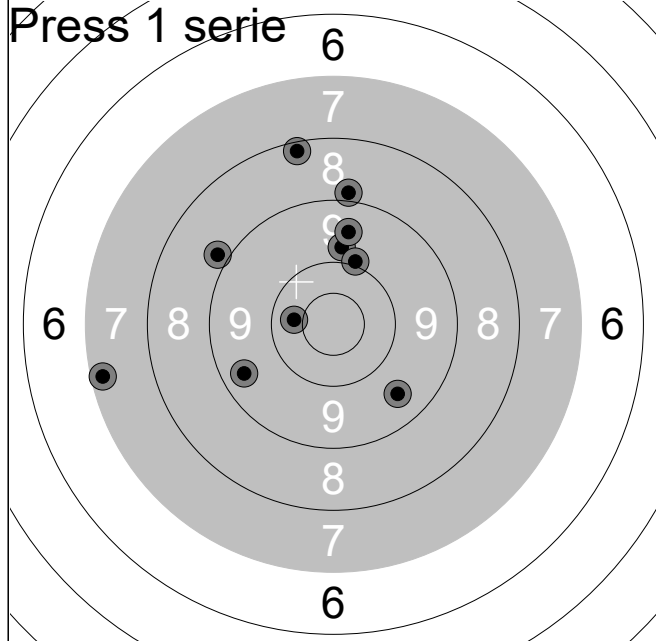
17.4s	10.0	↑
45.4s	8.8	↑
1:17m	10.3	↖
1:52m	10.4	←
3:48m	8.5	↗
26.6s	7.8	↖
1:01m	9.4	↖
1:33m	8.1	↗
2:46m	9.4	↖
3:36m	10.4	↑
<b>Serie</b>	<b>89 ( 0x)</b>	
<b>Total</b>	<b>89 ( 0x)</b>	



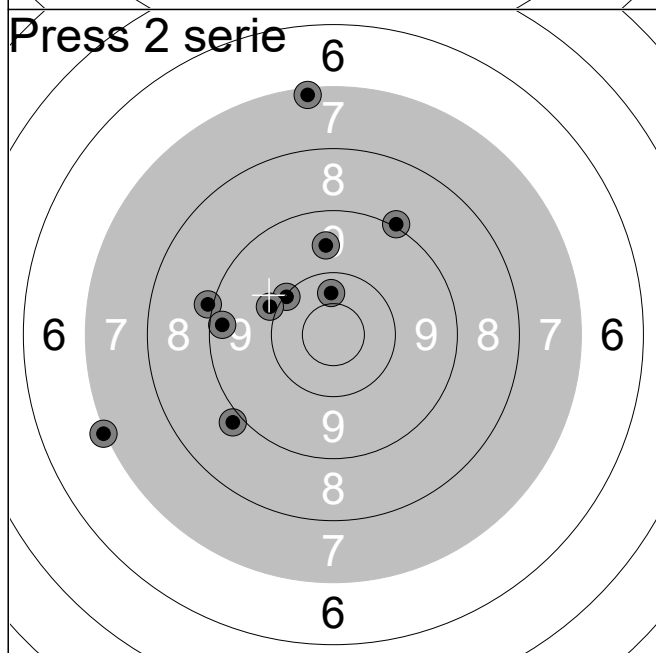
18.0s	10.1	↗
49.3s	8.3	↗
1:26m	10.0	↑
2:07m	9.6	↗
2:48m	10.4	→
21.1s	10.5x	↑
49.4s	9.0	↗
1:25m	10.4	↑
1:59m	10.3	←
3:05m	9.4	→
<b>Serie</b>	<b>95 ( 1x)</b>	
<b>Total</b>	<b>184 ( 1x)</b>	



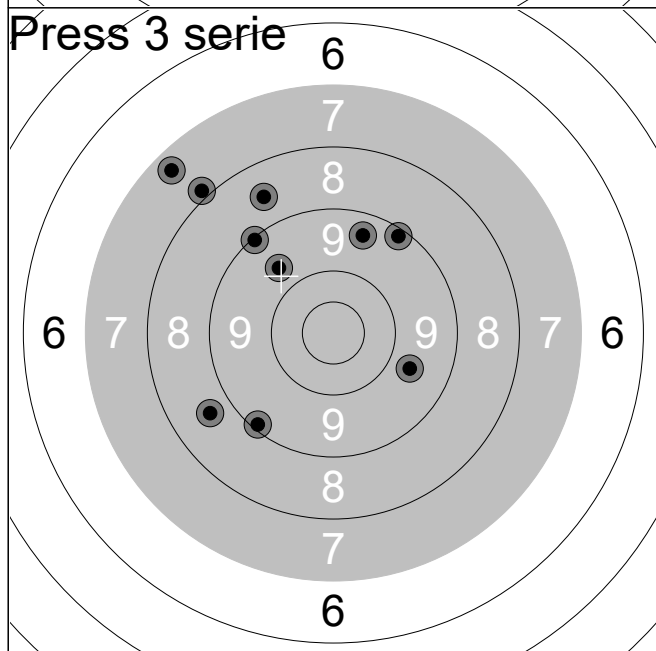
46.8s	10.0	↑
1:20m	8.7	↗
2:45m	7.9	→
3:15m	8.1	↖
4:17m	8.8	←
26.8s	9.9	↗
56.8s	9.9	↑
1:27m	8.9	↑
3:23m	9.7	↘
3:54m	8.4	↗
<b>Serie</b>	<b>84 ( 0x)</b>	
<b>Total</b>	<b>268 ( 1x)</b>	



16.4s	7.2	←
52.7s	8.9	↑
1:36m	8.2	↑
2:15m	9.8	↑
3:29m	9.4	←
16.7s	9.5	↘
50.5s	10.0	↑
1:27m	9.6	↑
2:10m	8.9	↖
2:51m	10.4	←
<b>Serie</b>		<b>87 ( 0x)</b>
<b>Total</b>		<b>87 ( 0x)</b>



19.1s	8.9	↙
47.3s	10.1	↖
1:23m	9.6	↑
2:05m	7.2	↑
3:07m	7.0	←
13.0s	9.9	↖
47.3s	9.0	↗
1:23m	10.3	↑
2:04m	9.0	←
3:17m	9.3	←
<b>Serie</b>		<b>87 ( 0x)</b>
<b>Total</b>		<b>174 ( 0x)</b>

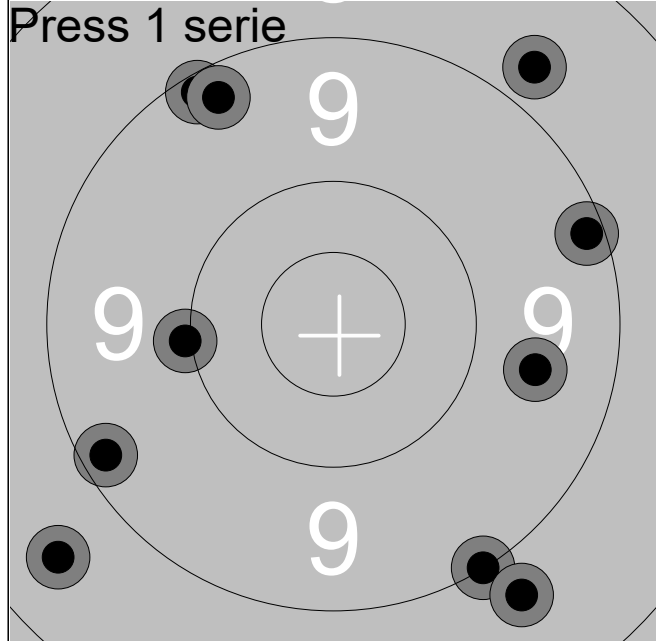


16.5s	9.7	↘
50.6s	9.4	↑
2:04m	9.1	↗
2:40m	8.6	↗
3:19m	7.9	↗
13.2s	9.2	↗
48.2s	9.7	↗
1:31m	9.1	↘
2:16m	7.4	↗
2:51m	8.7	↙
<b>Serie</b>		<b>84 ( 0x)</b>
<b>Total</b>		<b>258 ( 0x)</b>

23.06.2019	NM bane 2019	NM Pistol 2019
------------	--------------	----------------

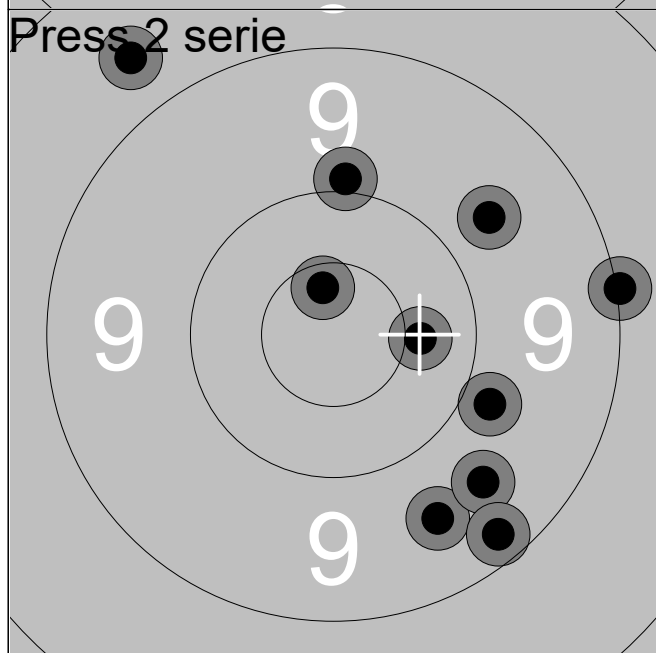
<p><b>Press 1 serie</b></p>	<table style="width:100%; border-collapse: collapse;"> <tr><td style="text-align: right;">45.3s</td><td style="text-align: right;">9.0</td><td style="text-align: center;">↑</td></tr> <tr><td style="text-align: right;">1:05m</td><td style="text-align: right;">9.4</td><td style="text-align: center;">➔</td></tr> <tr><td style="text-align: right;">1:37m</td><td style="text-align: right;">10.6x</td><td style="text-align: center;">↗</td></tr> <tr><td style="text-align: right;">2:12m</td><td style="text-align: right;">10.4</td><td style="text-align: center;">➔</td></tr> <tr><td style="text-align: right;">2:51m</td><td style="text-align: right;">10.5x</td><td style="text-align: center;">↗</td></tr> <tr><td style="text-align: right;">24.9s</td><td style="text-align: right;">9.9</td><td style="text-align: center;">↖</td></tr> <tr><td style="text-align: right;">56.0s</td><td style="text-align: right;">10.0</td><td style="text-align: center;">↑</td></tr> <tr><td style="text-align: right;">1:34m</td><td style="text-align: right;">9.6</td><td style="text-align: center;">➔</td></tr> <tr><td style="text-align: right;">2:45m</td><td style="text-align: right;">10.3</td><td style="text-align: center;">↗</td></tr> <tr><td style="text-align: right;">3:33m</td><td style="text-align: right;">8.5</td><td style="text-align: center;">↓</td></tr> <tr><td colspan="2"><b>Serie</b></td><td style="text-align: right;"><b>94 ( 2x)</b></td></tr> <tr><td colspan="2"><b>Total</b></td><td style="text-align: right;"><b>94 ( 2x)</b></td></tr> </table>	45.3s	9.0	↑	1:05m	9.4	➔	1:37m	10.6x	↗	2:12m	10.4	➔	2:51m	10.5x	↗	24.9s	9.9	↖	56.0s	10.0	↑	1:34m	9.6	➔	2:45m	10.3	↗	3:33m	8.5	↓	<b>Serie</b>		<b>94 ( 2x)</b>	<b>Total</b>		<b>94 ( 2x)</b>
45.3s	9.0	↑																																			
1:05m	9.4	➔																																			
1:37m	10.6x	↗																																			
2:12m	10.4	➔																																			
2:51m	10.5x	↗																																			
24.9s	9.9	↖																																			
56.0s	10.0	↑																																			
1:34m	9.6	➔																																			
2:45m	10.3	↗																																			
3:33m	8.5	↓																																			
<b>Serie</b>		<b>94 ( 2x)</b>																																			
<b>Total</b>		<b>94 ( 2x)</b>																																			
<p><b>Press 2 serie</b></p>	<table style="width:100%; border-collapse: collapse;"> <tr><td style="text-align: right;">15.8s</td><td style="text-align: right;">8.4</td><td style="text-align: center;">←</td></tr> <tr><td style="text-align: right;">42.7s</td><td style="text-align: right;">8.9</td><td style="text-align: center;">➔</td></tr> <tr><td style="text-align: right;">1:23m</td><td style="text-align: right;">10.4x</td><td style="text-align: center;">➔</td></tr> <tr><td style="text-align: right;">2:34m</td><td style="text-align: right;">10.2</td><td style="text-align: center;">↖</td></tr> <tr><td style="text-align: right;">3:11m</td><td style="text-align: right;">10.1</td><td style="text-align: center;">↗</td></tr> <tr><td style="text-align: right;">20.9s</td><td style="text-align: right;">8.6</td><td style="text-align: center;">↗</td></tr> <tr><td style="text-align: right;">53.9s</td><td style="text-align: right;">9.4</td><td style="text-align: center;">➔</td></tr> <tr><td style="text-align: right;">1:27m</td><td style="text-align: right;">9.7</td><td style="text-align: center;">➔</td></tr> <tr><td style="text-align: right;">1:57m</td><td style="text-align: right;">9.3</td><td style="text-align: center;">←</td></tr> <tr><td style="text-align: right;">4:08m</td><td style="text-align: right;">10.6x</td><td style="text-align: center;">↙</td></tr> <tr><td colspan="2"><b>Serie</b></td><td style="text-align: right;"><b>91 ( 2x)</b></td></tr> <tr><td colspan="2"><b>Total</b></td><td style="text-align: right;"><b>185 ( 4x)</b></td></tr> </table>	15.8s	8.4	←	42.7s	8.9	➔	1:23m	10.4x	➔	2:34m	10.2	↖	3:11m	10.1	↗	20.9s	8.6	↗	53.9s	9.4	➔	1:27m	9.7	➔	1:57m	9.3	←	4:08m	10.6x	↙	<b>Serie</b>		<b>91 ( 2x)</b>	<b>Total</b>		<b>185 ( 4x)</b>
15.8s	8.4	←																																			
42.7s	8.9	➔																																			
1:23m	10.4x	➔																																			
2:34m	10.2	↖																																			
3:11m	10.1	↗																																			
20.9s	8.6	↗																																			
53.9s	9.4	➔																																			
1:27m	9.7	➔																																			
1:57m	9.3	←																																			
4:08m	10.6x	↙																																			
<b>Serie</b>		<b>91 ( 2x)</b>																																			
<b>Total</b>		<b>185 ( 4x)</b>																																			
<p><b>Press 3 serie</b></p>	<table style="width:100%; border-collapse: collapse;"> <tr><td style="text-align: right;">18.3s</td><td style="text-align: right;">10.5x</td><td style="text-align: center;">➔</td></tr> <tr><td style="text-align: right;">42.5s</td><td style="text-align: right;">10.1</td><td style="text-align: center;">↘</td></tr> <tr><td style="text-align: right;">1:10m</td><td style="text-align: right;">10.6x</td><td style="text-align: center;">↘</td></tr> <tr><td style="text-align: right;">2:52m</td><td style="text-align: right;">10.2</td><td style="text-align: center;">➔</td></tr> <tr><td style="text-align: right;">3:18m</td><td style="text-align: right;">10.6x</td><td style="text-align: center;">↘</td></tr> <tr><td style="text-align: right;">16.0s</td><td style="text-align: right;">8.7</td><td style="text-align: center;">↓</td></tr> <tr><td style="text-align: right;">48.2s</td><td style="text-align: right;">8.7</td><td style="text-align: center;">➔</td></tr> <tr><td style="text-align: right;">1:22m</td><td style="text-align: right;">9.9</td><td style="text-align: center;">←</td></tr> <tr><td style="text-align: right;">2:49m</td><td style="text-align: right;">10.4x</td><td style="text-align: center;">↓</td></tr> <tr><td style="text-align: right;">3:22m</td><td style="text-align: right;">9.8</td><td style="text-align: center;">↘</td></tr> <tr><td colspan="2"><b>Serie</b></td><td style="text-align: right;"><b>94 ( 4x)</b></td></tr> <tr><td colspan="2"><b>Total</b></td><td style="text-align: right;"><b>279 ( 8x)</b></td></tr> </table>	18.3s	10.5x	➔	42.5s	10.1	↘	1:10m	10.6x	↘	2:52m	10.2	➔	3:18m	10.6x	↘	16.0s	8.7	↓	48.2s	8.7	➔	1:22m	9.9	←	2:49m	10.4x	↓	3:22m	9.8	↘	<b>Serie</b>		<b>94 ( 4x)</b>	<b>Total</b>		<b>279 ( 8x)</b>
18.3s	10.5x	➔																																			
42.5s	10.1	↘																																			
1:10m	10.6x	↘																																			
2:52m	10.2	➔																																			
3:18m	10.6x	↘																																			
16.0s	8.7	↓																																			
48.2s	8.7	➔																																			
1:22m	9.9	←																																			
2:49m	10.4x	↓																																			
3:22m	9.8	↘																																			
<b>Serie</b>		<b>94 ( 4x)</b>																																			
<b>Total</b>		<b>279 ( 8x)</b>																																			



17.1s	9.2	↙
59.8s	9.2	↗
1:40m	9.6	→
2:05m	9.1	↘
2:49m	10.0	←
17.0s	8.8	↗
35.7s	9.3	↗
1:39m	9.2	→
2:02m	8.8	↘
2:37m	8.5	↙

Serie 88 ( 0x)

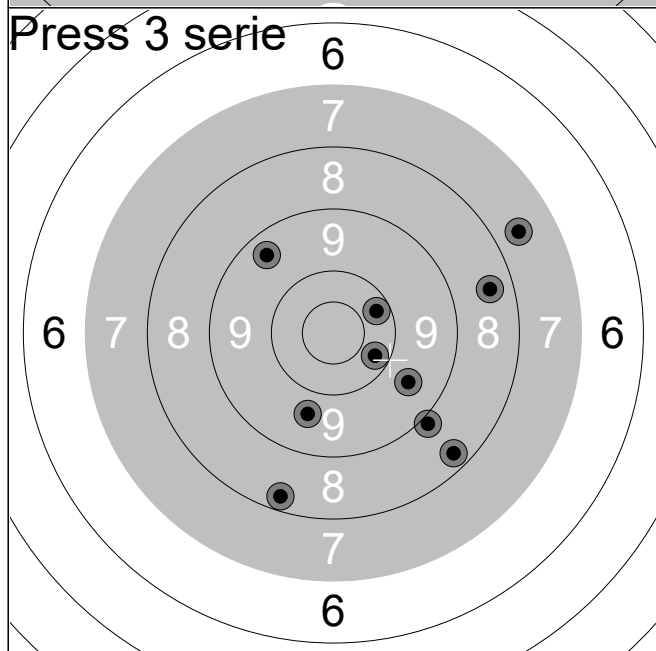
Total 88 ( 0x)



9.92s	10.4x	→
52.1s	9.9	↘
1:11m	10.0	↑
1:30m	9.0	→
2:10m	10.6x	↑
36.6s	9.6	↘
58.5s	9.7	↗
1:16m	8.7	↗
1:33m	9.6	↘
3:14m	9.3	↘

Serie 92 ( 2x)

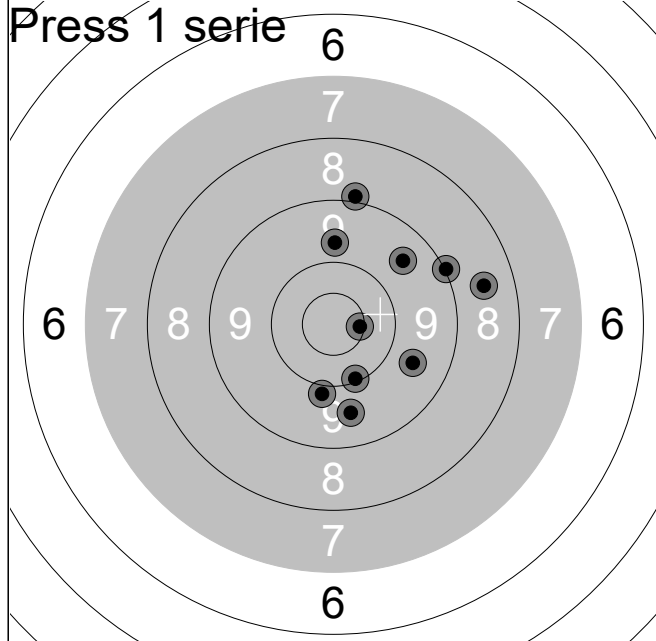
Total 180 ( 2x)



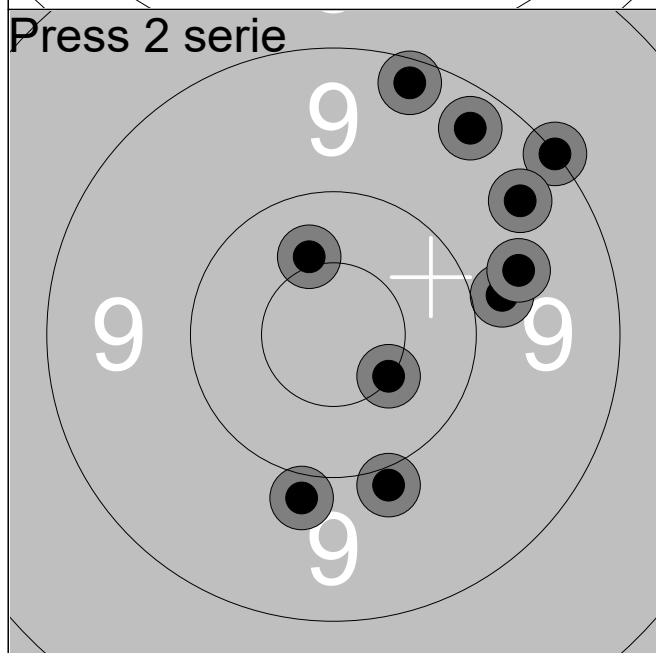
39.2s	8.9	↘
1:17m	9.6	↘
1:37m	8.4	→
2:00m	10.2	↗
2:18m	9.7	↘
35.0s	10.3	↘
1:17m	7.7	↗
1:32m	9.4	↗
1:42m	8.3	↘
1:52m	8.3	↘

Serie 86 ( 0x)

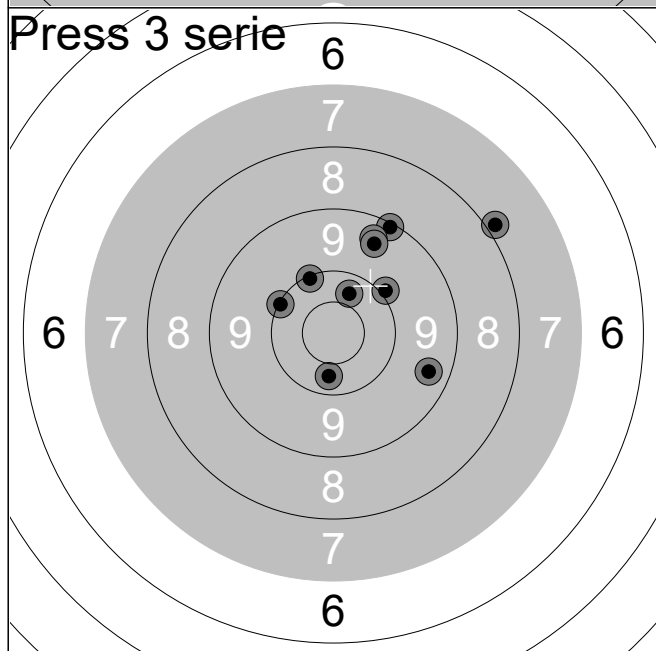
Total 266 ( 2x)



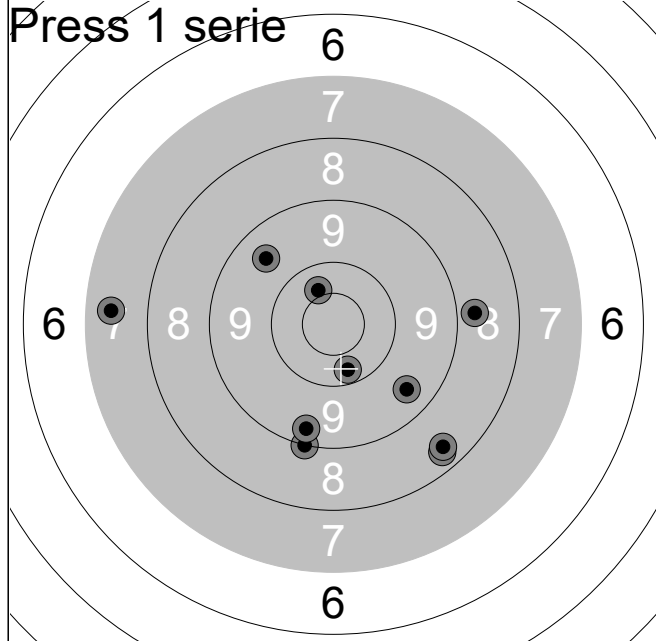
	15.6s	8.6	→
	39.7s	9.0	→
	1:10m	10.1	↓
	2:42m	9.9	↓
	3:15m	9.7	↑
	20.9s	9.5	↗
	47.0s	9.0	↑
	2:01m	9.6	↘
	2:29m	10.6x	→
	3:12m	9.6	↓
<b>Serie</b>			<b>91 ( 1x)</b>
<b>Total</b>			<b>91 ( 1x)</b>



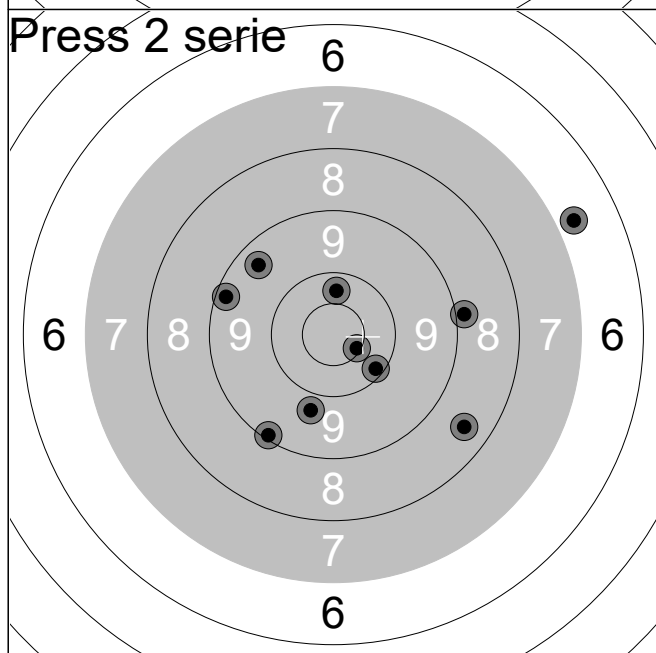
	15.5s	10.5x	↘
	57.1s	9.1	↗
	1:41m	10.4x	↑
	3:30m	9.5	↗
	4:05m	9.3	↗
	26.2s	9.9	↓
	1:03m	9.9	→
	1:25m	9.2	↑
	2:02m	9.9	↓
	2:39m	9.7	→
<b>Serie</b>			<b>92 ( 2x)</b>
<b>Total</b>			<b>183 ( 3x)</b>



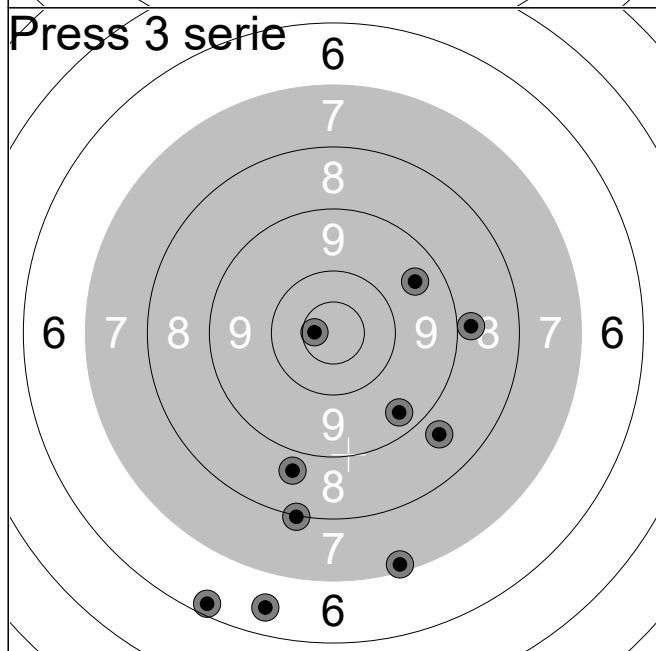
	23.1s	10.3	↓
	56.5s	9.1	↗
	1:34m	9.4	↗
	2:44m	9.5	↗
	3:54m	10.1	↖
	1:01m	10.0	↗
	1:35m	9.4	↘
	2:06m	10.1	↖
	3:13m	7.9	↗
	3:45m	10.3	↑
<b>Serie</b>			<b>93 ( 0x)</b>
<b>Total</b>			<b>276 ( 3x)</b>



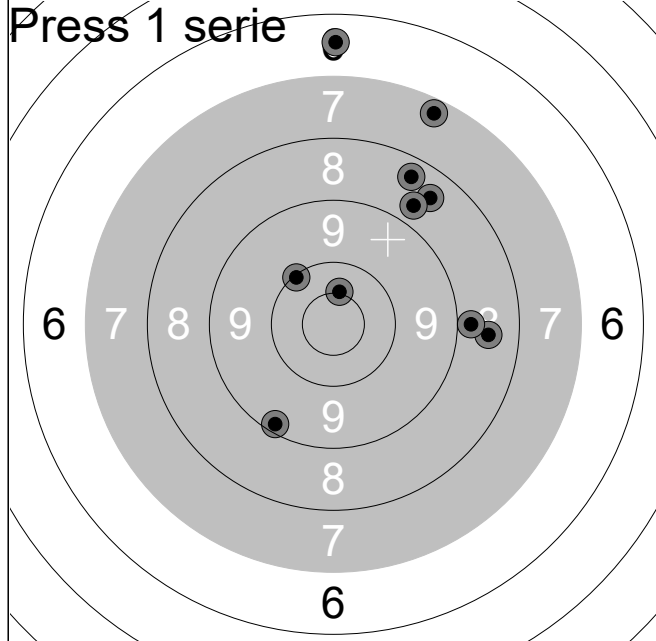
18.3s	8.8	→
35.2s	9.5	↗
57.6s	8.4	↘
1:16m	10.3	↘
1:40m	9.1	↘
13.9s	7.5	←
49.8s	8.4	↘
1:00m	9.3	↘
1:21m	10.4x	↗
1:40m	9.5	↘
<b>Serie</b>	<b>87 ( 1x)</b>	
<b>Total</b>	<b>87 ( 1x)</b>	



17.1s	9.2	←
54.4s	10.3	↑
1:11m	6.8	→
1:27m	9.4	↗
1:45m	9.8	↘
9.73s	10.6x	↘
28.1s	8.9	→
49.1s	10.2	↘
1:06m	9.1	↘
1:27m	8.5	↘
<b>Serie</b>	<b>88 ( 1x)</b>	
<b>Total</b>	<b>175 ( 2x)</b>	

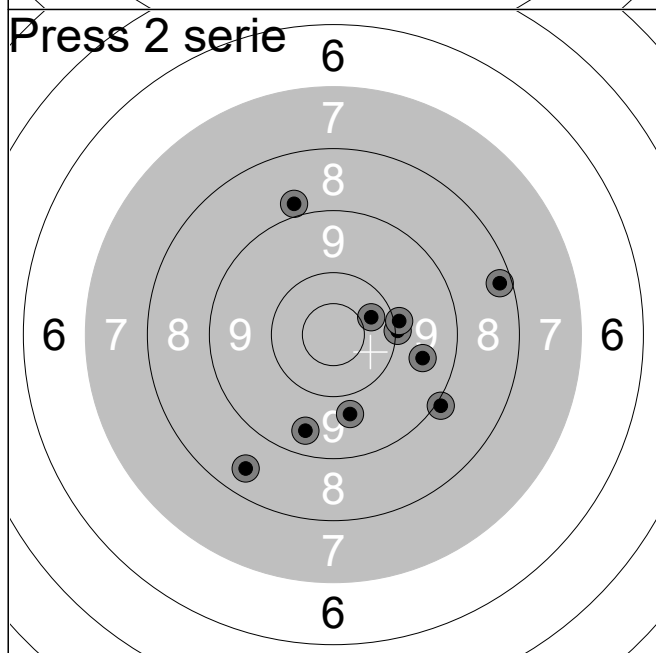


11.6s	6.5	↘
26.0s	9.4	↘
41.8s	7.2	↘
54.6s	8.8	→
1:18m	6.2	↘
12.7s	10.7x	←
33.3s	9.5	↗
1:10m	8.7	↘
1:25m	8.7	↘
1:46m	8.0	↘
<b>Serie</b>	<b>79 ( 1x)</b>	
<b>Total</b>	<b>254 ( 3x)</b>	



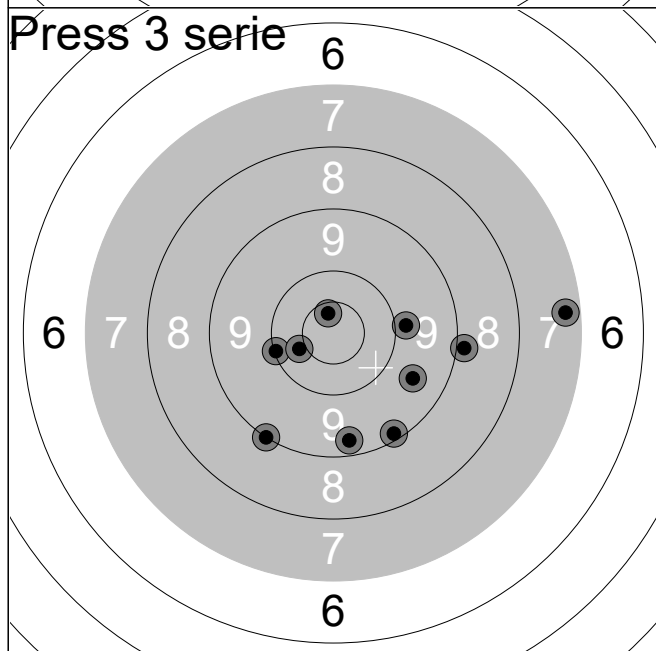
12.8s	10.1	↖
47.2s	6.5	↑
1:12m	7.3	↗
1:40m	8.5	↗
2:05m	10.5x	↑
11.6s	9.2	↘
39.2s	8.6	→
1:36m	8.8	↗
2:07m	8.4	↗
2:35m	8.8	→

Serie	82 ( 1x)
Total	82 ( 1x)



12.0s	8.9	↑
34.4s	9.6	→
1:05m	10.3	↗
1:34m	10.0	→
2:03m	9.0	↘
9.50s	9.8	↘
35.6s	10.0	→
1:04m	9.5	↘
1:32m	8.3	→
1:58m	8.5	↘

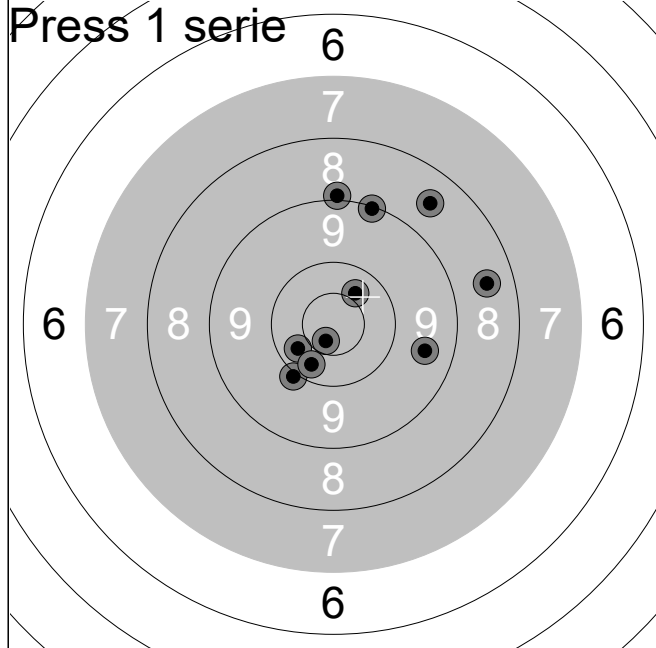
Serie	90 ( 0x)
Total	172 ( 1x)



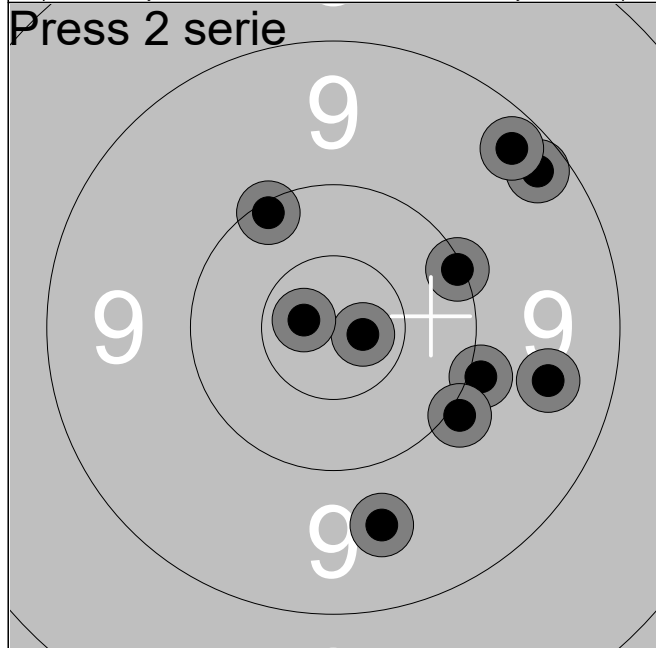
11.3s	8.9	→
1:02m	9.3	↘
1:53m	9.2	↘
2:20m	9.6	↘
2:46m	7.3	→
9.11s	10.1	←
1:00m	10.4x	←
1:40m	9.1	↘
2:09m	9.9	→
2:45m	10.7x	↑

Serie	90 ( 2x)
Total	262 ( 3x)

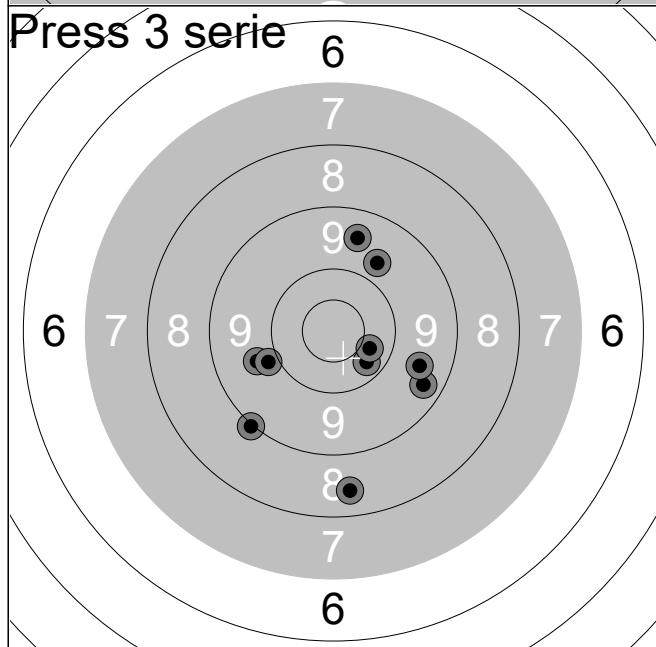




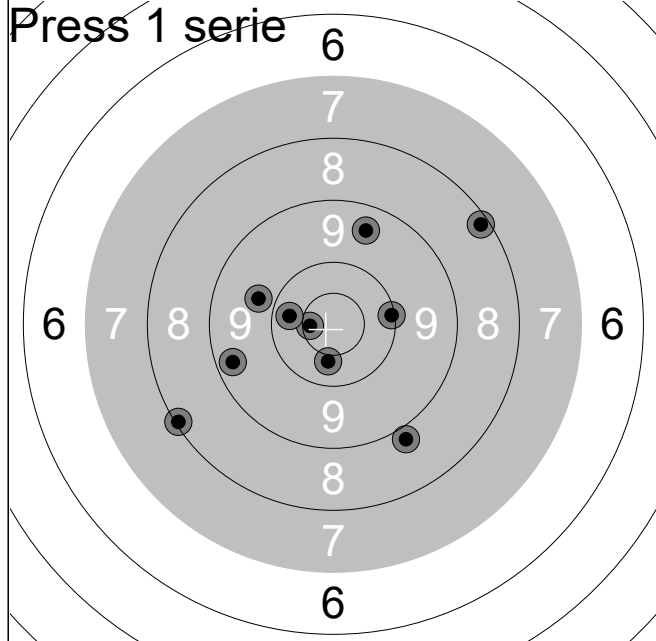
47.8s	10.3	↙
1:11m	9.5	→
2:10m	8.6	↗
2:39m	10.4x	↗
3:46m	8.5	→
14.9s	9.0	↑
1:02m	9.1	↑
2:26m	10.0	↘
3:23m	10.7x	↘
3:47m	10.3	↘
<b>Serie</b>	<b>93 ( 2x)</b>	
<b>Total</b>	<b>93 ( 2x)</b>	



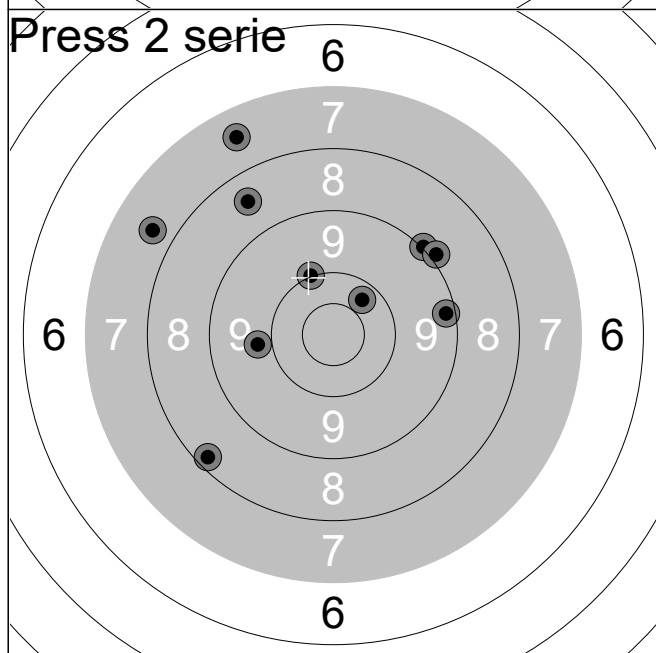
13.7s	10.8x	→
1:41m	9.3	↗
2:06m	10.8x	←
2:24m	9.3	↗
2:51m	9.5	→
1:26m	10.1	↗
1:46m	10.0	→
2:38m	10.1	↗
3:04m	10.0	↘
3:32m	9.6	↘
<b>Serie</b>	<b>96 ( 2x)</b>	
<b>Total</b>	<b>189 ( 4x)</b>	



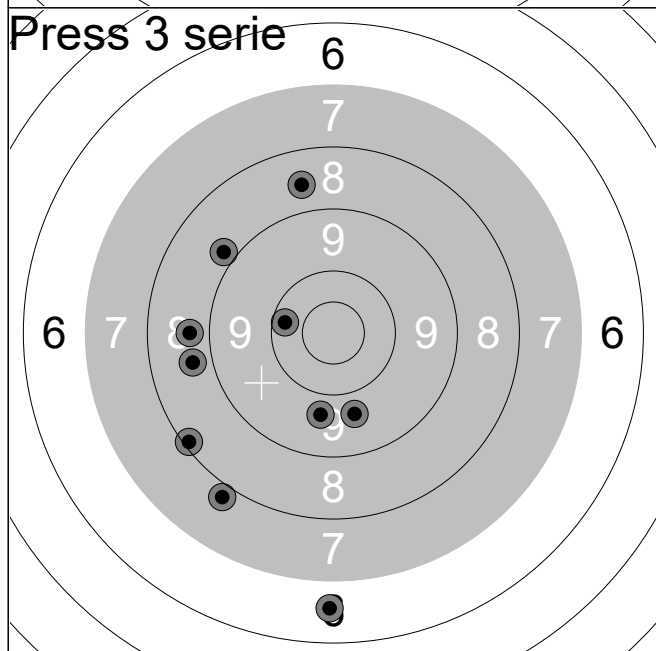
46.2s	9.8	↗
1:36m	9.0	↘
2:01m	9.7	←
2:31m	9.4	↘
3:05m	10.3	↘
16.4s	9.9	←
1:09m	8.5	↘
2:08m	9.6	→
2:41m	9.5	↑
3:14m	10.4	→
<b>Serie</b>	<b>91 ( 0x)</b>	
<b>Total</b>	<b>280 ( 4x)</b>	



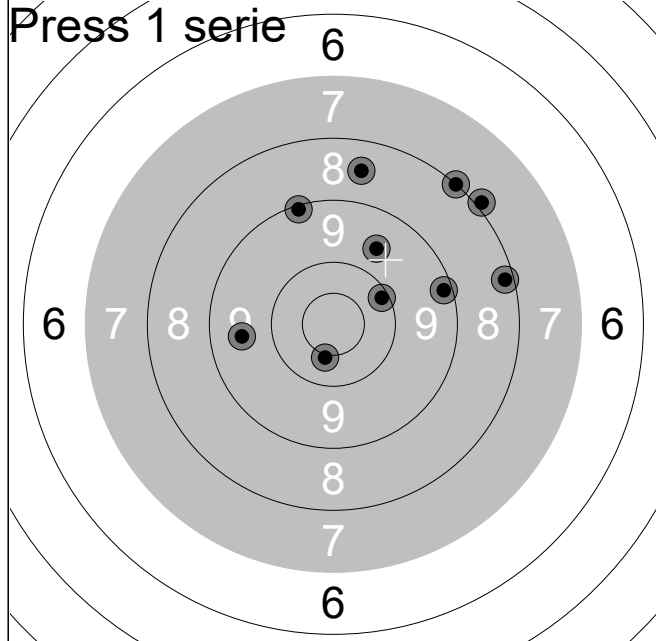
22.4s	10.4x	↓
1:20m	8.1	↙
1:44m	10.6x	←
2:12m	10.3	↙
2:43m	9.3	↙
20.3s	9.8	↙
49.3s	10.1	→
1:52m	9.5	↑
2:23m	8.2	↗
3:07m	8.9	↓
<b>Serie</b>	<b>91 ( 2x)</b>	
<b>Total</b>	<b>91 ( 2x)</b>	



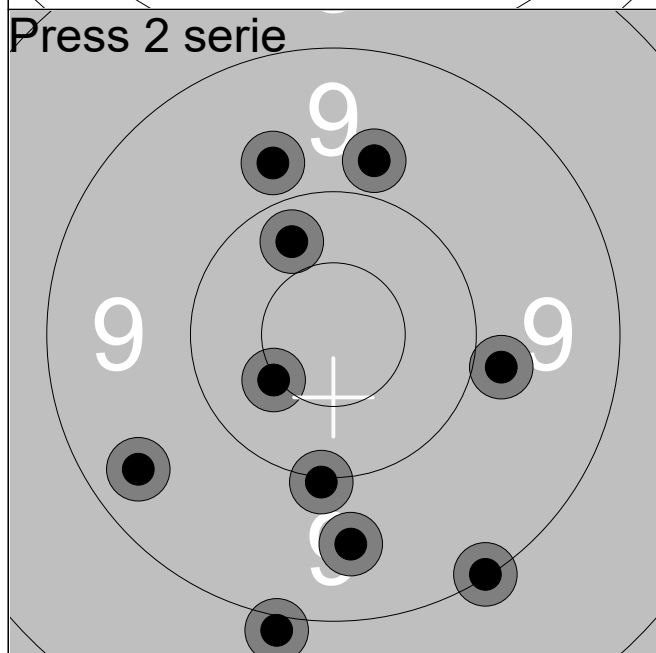
20.3s	9.8	←
53.0s	8.5	↗
1:29m	8.2	↙
2:03m	9.0	↗
3:03m	7.5	↗
27.6s	9.0	↗
58.4s	10.0	↑
1:39m	9.2	→
2:21m	10.3	↗
2:56m	7.7	↙
<b>Serie</b>	<b>86 ( 0x)</b>	
<b>Total</b>	<b>177 ( 2x)</b>	



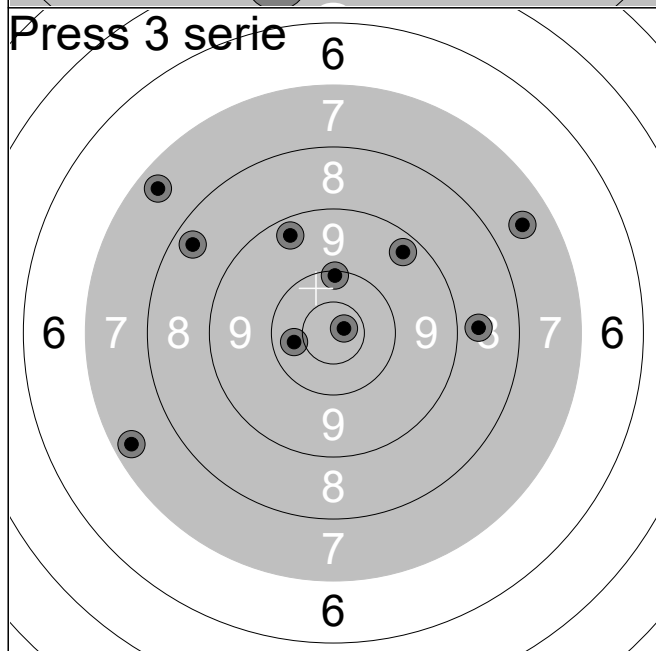
50.5s	8.7	←
1:20m	10.2	←
1:47m	8.7	←
2:26m	8.1	↙
2:58m	8.6	↑
27.0s	9.7	↓
1:11m	8.9	↗
1:44m	7.9	↙
2:21m	9.7	↓
2:51m	6.6	↓
<b>Serie</b>	<b>81 ( 0x)</b>	
<b>Total</b>	<b>258 ( 2x)</b>	



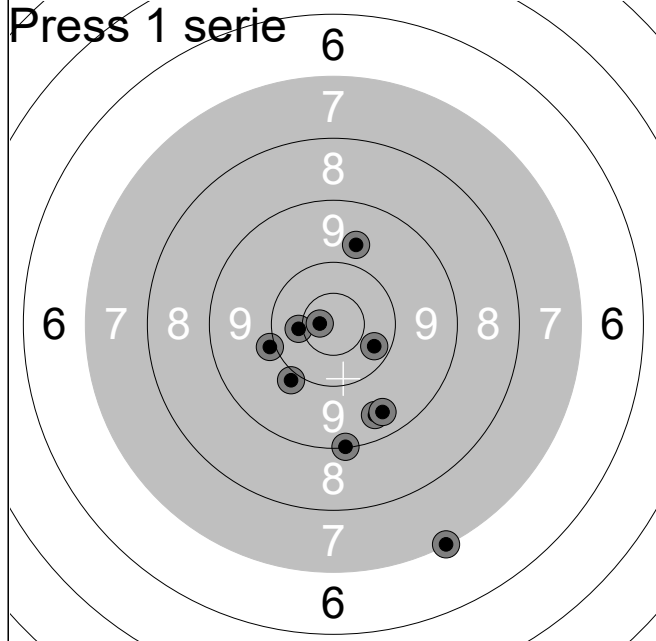
13.1s	9.1	↑
37.4s	10.4x	↓
1:04m	8.2	→
1:36m	8.0	↗
2:33m	9.2	→
12.6s	8.5	↑
35.4s	10.1	↗
1:06m	9.6	←
1:46m	9.7	↗
2:08m	8.1	↗
<b>Serie</b>	<b>88 ( 1x)</b>	
<b>Total</b>	<b>88 ( 1x)</b>	



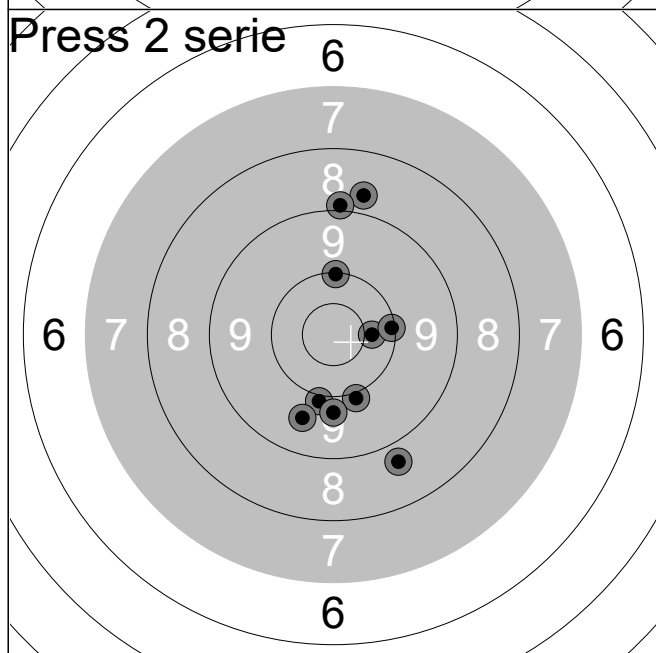
12.1s	9.8	↑
45.1s	9.9	→
1:14m	9.8	↑
1:53m	10.3	↑
2:25m	9.4	↙
12.5s	9.6	↓
1:26m	9.1	↓
2:00m	9.0	↓
2:36m	10.5x	↙
3:07m	10.0	↓
<b>Serie</b>	<b>93 ( 1x)</b>	
<b>Total</b>	<b>181 ( 2x)</b>	



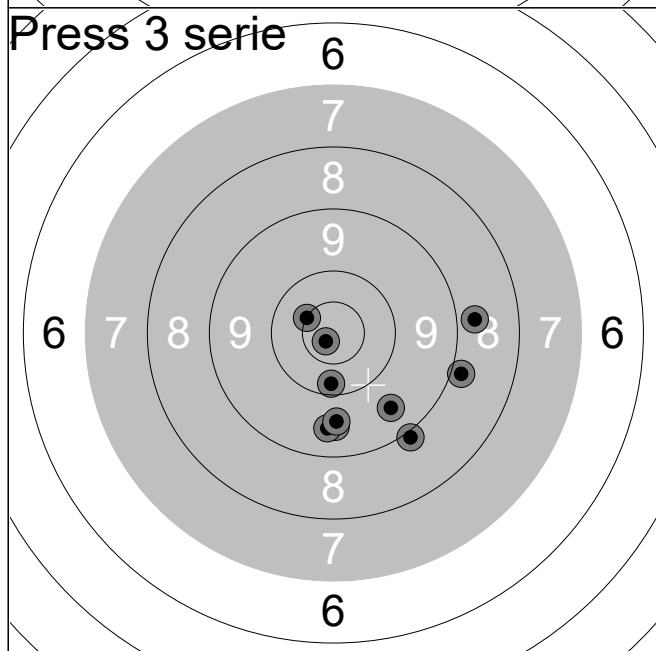
13.9s	10.1	↑
44.9s	7.3	↙
1:11m	10.8x	↗
1:40m	8.7	→
2:03m	9.3	↗
13.9s	7.4	↖
52.2s	8.4	↖
1:18m	9.3	↑
1:42m	7.5	↗
2:09m	10.4	←
<b>Serie</b>	<b>85 ( 1x)</b>	
<b>Total</b>	<b>266 ( 3x)</b>	



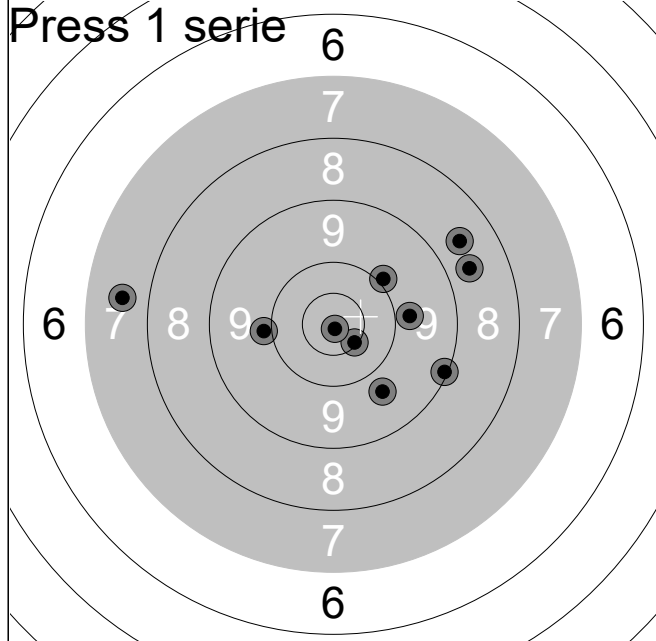
	18.1s	10.4x	←
	1:29m	10.7x	←
	2:36m	9.9	↘
	3:06m	10.3	→
	3:45m	7.1	↘
	21.9s	10.0	←
	55.8s	9.5	↘
	2:05m	9.1	↘
	2:51m	9.7	↑
	3:19m	9.4	↘
<b>Serie</b>			<b>92 ( 2x)</b>
<b>Total</b>			<b>92 ( 2x)</b>



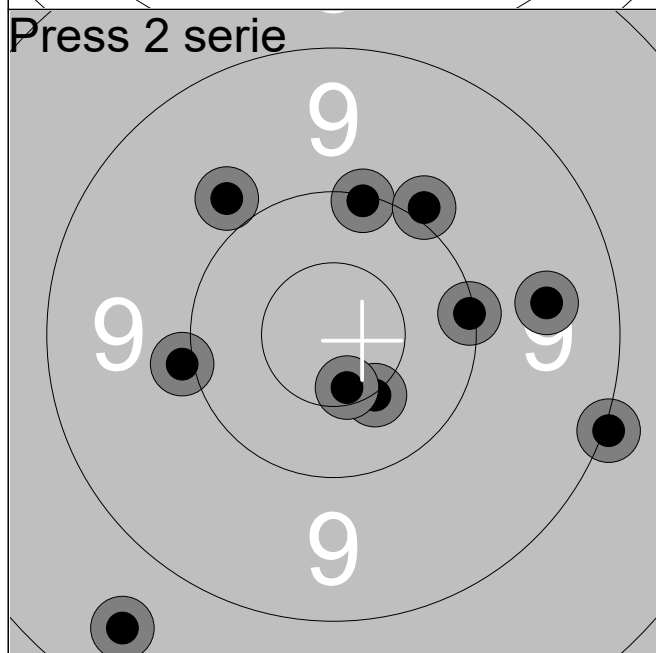
	20.5s	10.0	↘
	54.3s	8.8	↑
	1:26m	10.0	↘
	1:56m	10.4	→
	3:19m	9.6	↘
	21.6s	8.8	↘
	55.2s	10.1	→
	1:24m	10.1	↑
	2:35m	9.8	↘
	3:11m	9.0	↑
<b>Serie</b>			<b>93 ( 0x)</b>
<b>Total</b>			<b>185 ( 2x)</b>



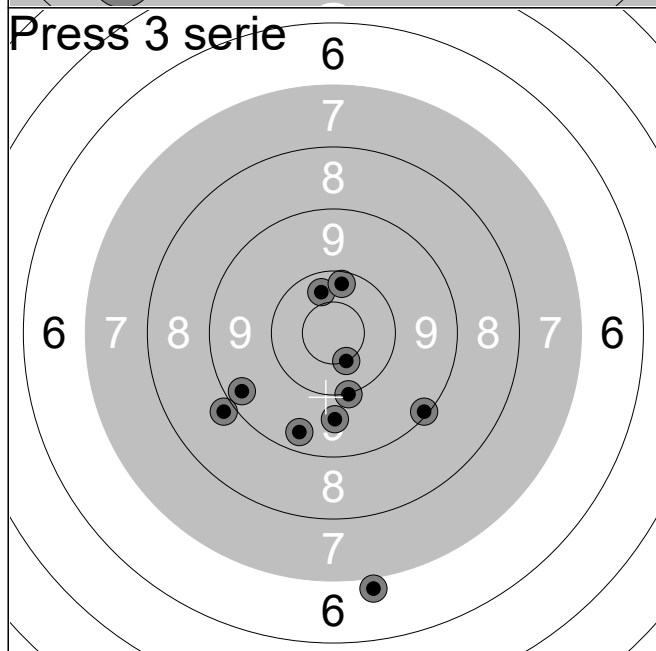
	24.6s	10.8x	↘
	54.9s	9.5	↘
	1:26m	8.8	→
	1:51m	10.2	↘
	2:41m	9.5	↘
	20.7s	9.5	↘
	53.3s	10.5x	↗
	2:13m	8.9	→
	2:49m	9.6	↘
	3:30m	9.0	↘
<b>Serie</b>			<b>91 ( 2x)</b>
<b>Total</b>			<b>276 ( 4x)</b>



1:11m	10.5x	↘
1:42m	8.7	→
2:08m	9.1	↘
2:37m	9.8	→
3:18m	8.6	↗
33.6s	9.9	←
1:07m	7.6	←
1:38m	10.9x	↓
2:09m	9.7	↓
2:37m	10.0	↗
<b>Serie</b>	<b>89 ( 2x)</b>	
<b>Total</b>	<b>89 ( 2x)</b>	



23.0s	9.9	↗
1:21m	10.0	←
1:57m	10.1	↑
2:31m	10.0	↗
3:06m	10.5x	↓
30.4s	8.5	↓
1:00m	9.0	→
1:34m	10.6x	↓
2:07m	10.1	→
2:59m	9.6	→
<b>Serie</b>	<b>95 ( 2x)</b>	
<b>Total</b>	<b>184 ( 4x)</b>	



51.0s	9.4	↓
1:20m	9.3	←
1:53m	10.0	↓
2:26m	10.3	↗
2:59m	10.5x	↓
52.6s	9.1	↘
1:43m	8.9	←
2:10m	9.7	↓
2:36m	10.2	↑
3:05m	6.9	↓
<b>Serie</b>	<b>90 ( 1x)</b>	
<b>Total</b>	<b>274 ( 5x)</b>	