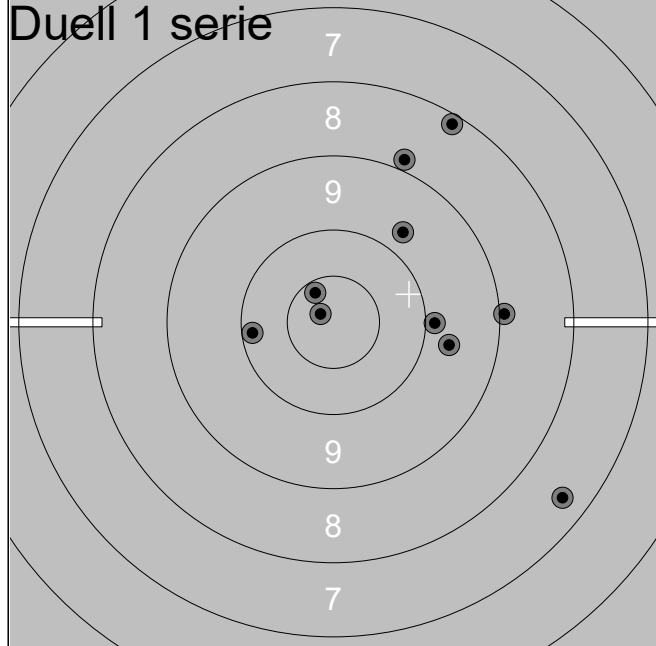


Lag 1	Skive 2	Kirstin Dorothea Jensen
-----------------	-------------------	--------------------------------

Finpistol Duell	Kristiansund Pk	Jk
-----------------	-----------------	----

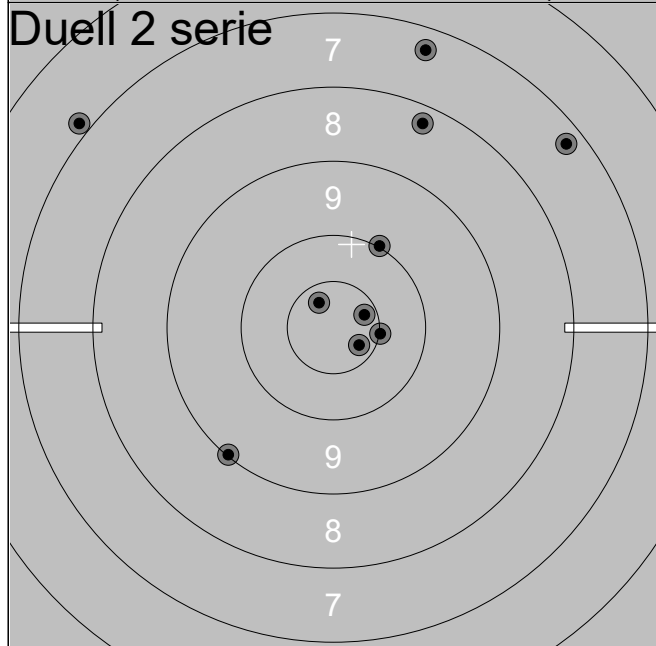
23.06.2019	NM bane 2019	NM Pistol 2019
------------	--------------	----------------



2.19s	10.1	←
2.38s	9.7	→
1.93s	7.4	↘
2.17s	10.8x	↗
2.31s	9.0	→
2.09s	9.9	→
2.15s	10.6x	↗
1.99s	8.2	↗
2.48s	9.7	↗
2.35s	8.9	↗

Serie	89 (2x)
-------	----------

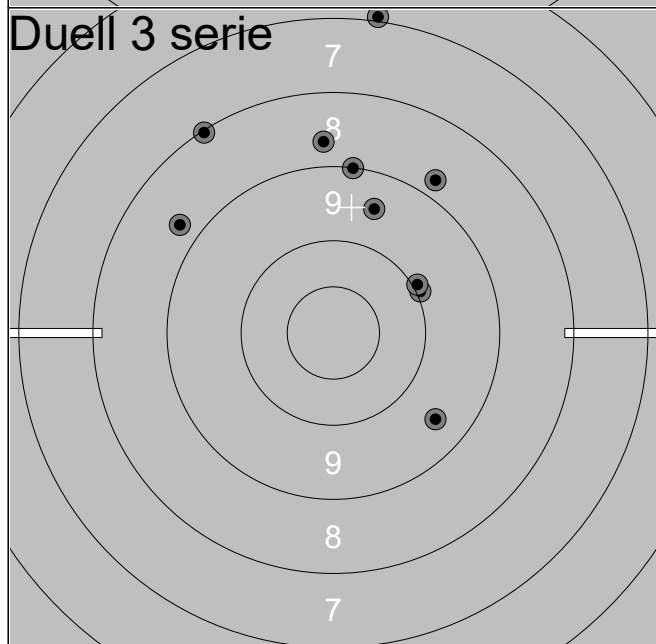
Total	352 (2x)
-------	-----------



2.27s	8.3	↗
1.94s	10.5x	→
2.04s	10.6x	↗
2.15s	9.0	↘
2.24s	7.3	↗
2.31s	7.3	↗
2.27s	10.6x	↘
2.36s	6.9	↗
2.31s	10.7x	↗
2.29s	10.0	↗

Serie	87 (4x)
-------	----------

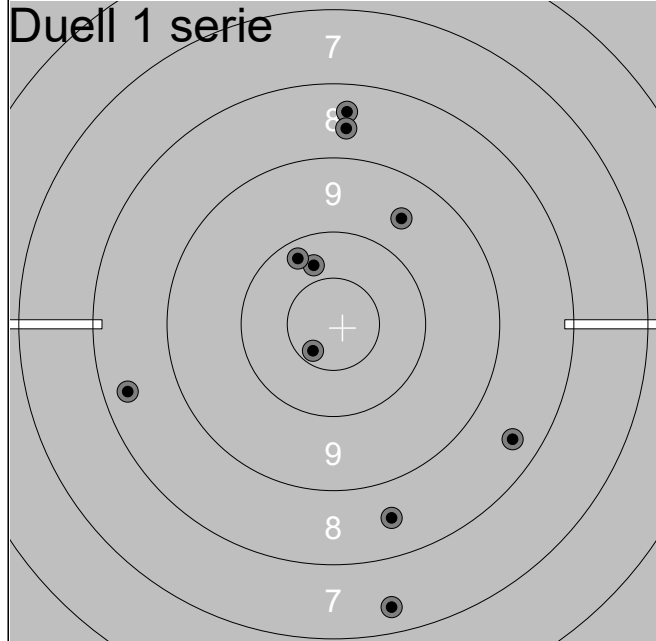
Total	439 (6x)
-------	-----------



2.52s	6.9	↗
2.41s	9.0	↗
2.39s	8.0	↗
2.42s	8.7	↗
2.42s	10.0	→
2.12s	10.0	↗
2.40s	9.5	↘
2.38s	9.5	↗
2.43s	8.7	↖
2.40s	8.8	↗

Serie	85 (0x)
-------	----------

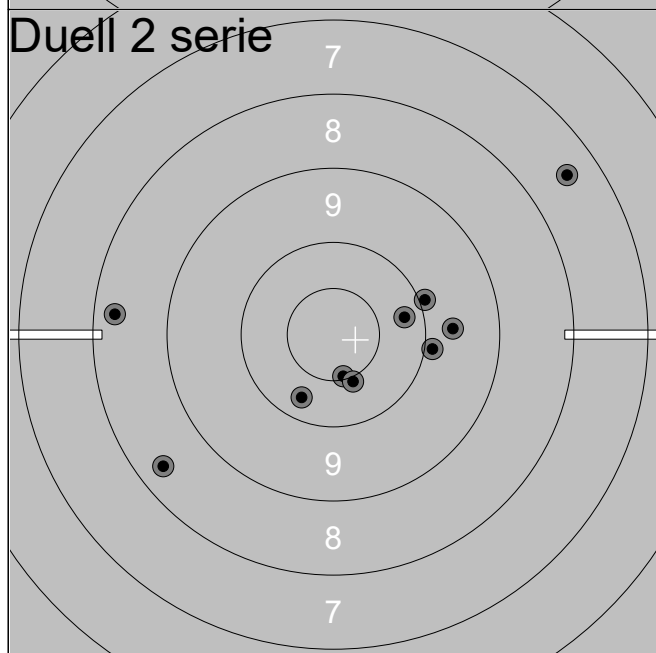
Total	524 (6x)
-------	-----------



2.31s	8.3	←
2.37s	9.6	↗
2.47s	10.3	↗
2.68s	7.4	↓
2.68s	8.5	↓
2.60s	8.4	↑
2.77s	8.6	↑
2.78s	8.4	↘
2.31s	10.6x	↙
2.64s	10.2	↗

Serie 86 (1x)

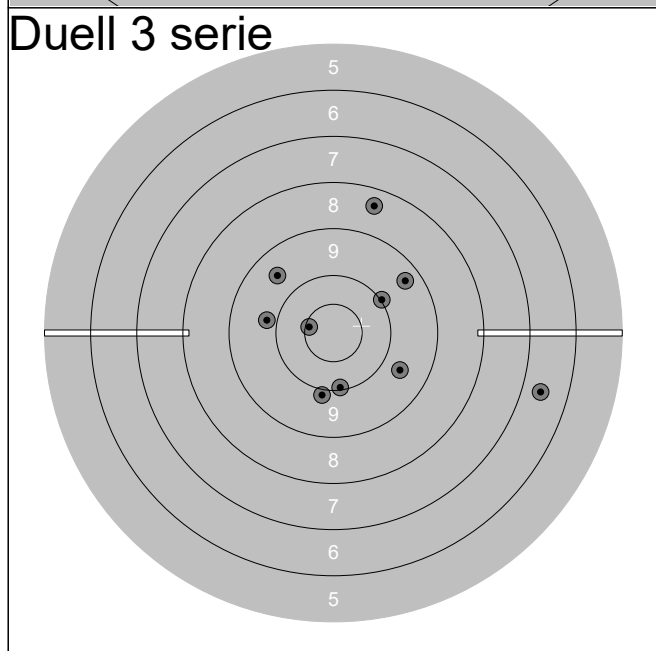
Total 348 (1x)



2.60s	10.5x	↓
2.52s	10.2	↓
2.49s	10.4x	↓
2.31s	10.2	→
3.12s	8.4	↙
2.58s	9.9	→
2.94s	9.6	→
2.52s	7.4	↗
2.54s	9.9	→
2.48s	8.3	←

Serie 90 (2x)

Total 438 (3x)

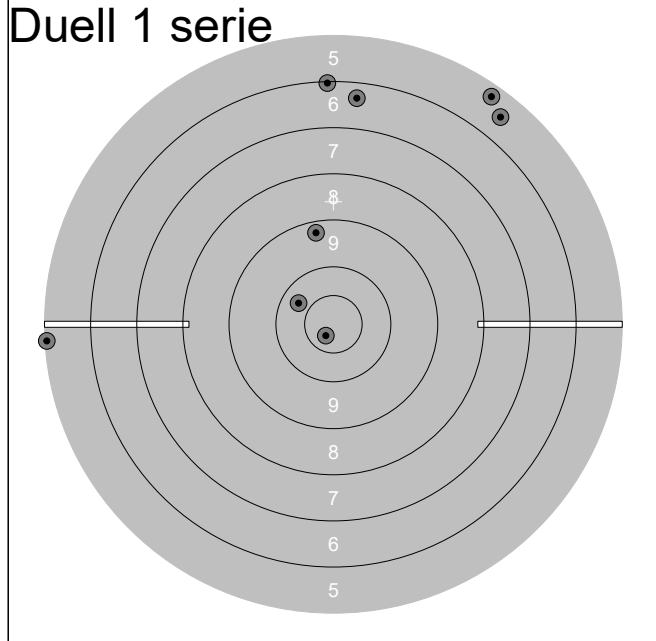


2.54s	6.6	→
2.40s	10.0	↗
2.61s	10.1	↓
2.67s	9.8	←
2.54s	9.6	↘
2.50s	10.5x	←
2.40s	9.5	↗
2.36s	8.4	↑
2.54s	9.3	↗
2.92s	9.9	↓

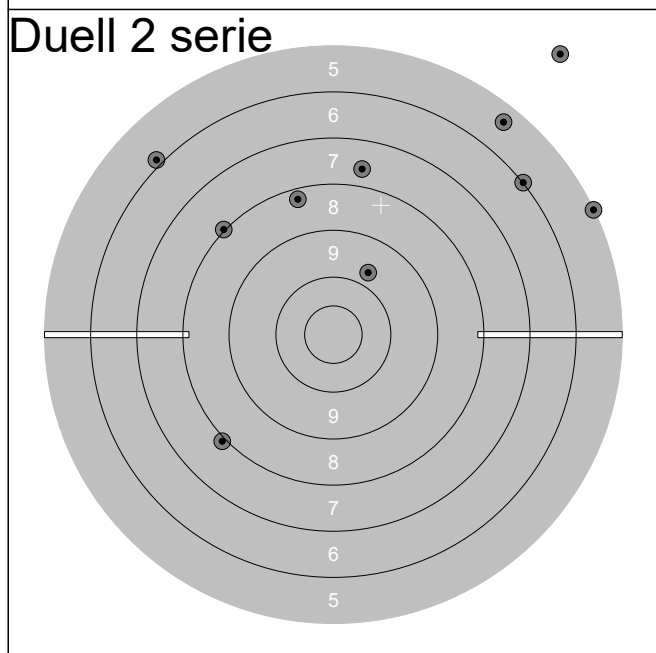
Serie 89 (1x)

Total 527 (4x)

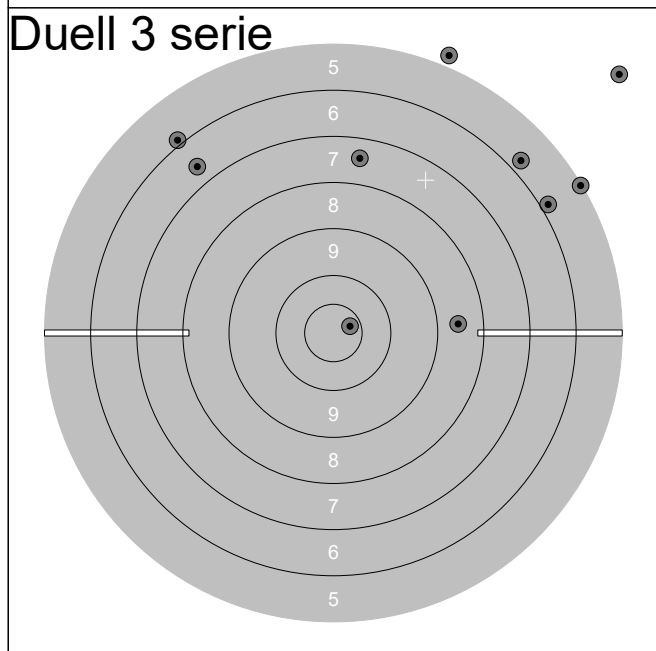
Lag	Skive	Geyr Runar Jensen		
1	4	Finpistol Duell	Hamar SSK	M
23.06.2019	NM bane 2019	NM Pistol 2019		
Duell 1 serie 	2.42s	9.2	↖	
	2.73s	8.4	↓	
	2.70s	10.3	↓	
	2.62s	10.7x	↓	
	2.69s	9.0	↖	
	2.61s	8.5	↖	
	2.72s	7.7	↓	
	2.64s	9.8	↓	
	2.62s	8.6	↖	
	2.60s	9.1	↓	
Serie			87 (1x)	
Total			349 (1x)	
Duell 2 serie 	2.75s	10.0	←	
	2.72s	9.5	↓	
	2.54s	10.0	←	
	2.46s	10.0	←	
	2.68s	10.1	↓	
	2.77s	7.6	←	
	2.63s	9.5	↓	
	2.80s	8.6	↑	
	2.60s	9.5	↓	
	2.95s	9.0	↘	
Serie			91 (0x)	
Total			440 (1x)	
Duell 3 serie 	2.49s	9.0	↓	
	2.81s	10.6x	←	
	2.78s	10.3	↓	
	2.78s	10.2	↓	
	2.68s	10.8x	↓	
	2.96s	9.7	↓	
	2.52s	10.3	↓	
	2.72s	9.9	↓	
	2.68s	10.9x	↘	
	2.65s	9.9	↘	
Serie			96 (3x)	
Total			536 (4x)	



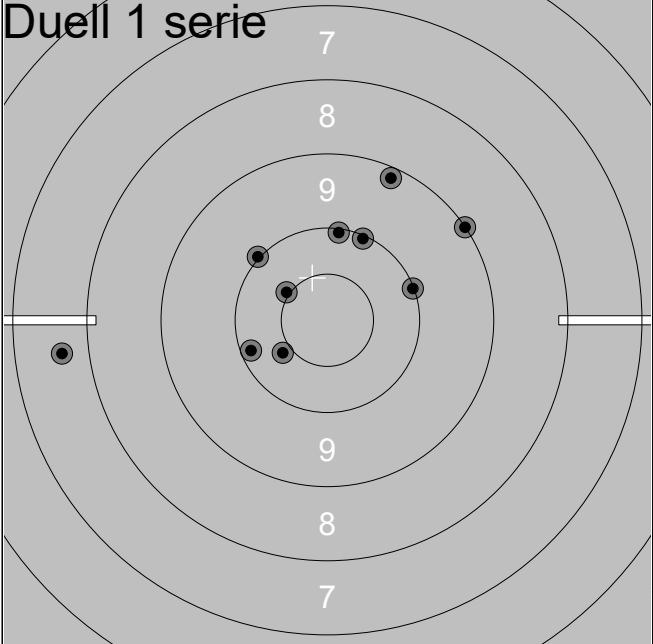

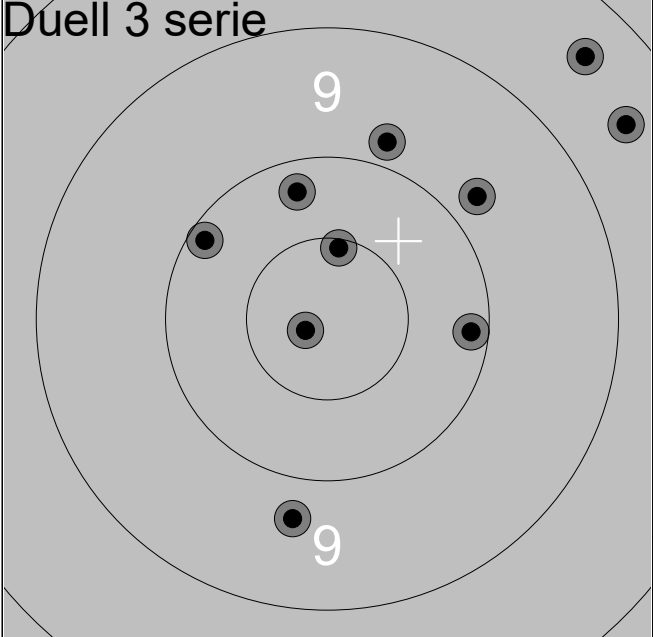
1.96s	☒	
1.97s	5.3	↗
2.12s	6.4	↑
1.94s	☒	
2.02s	10.7x	↘
1.94s	5.5	↗
2.04s	6.1	↑
2.00s	10.3	↖
1.91s	9.3	↑
1.92s	5.1	←
Serie		56 (1x)
Total		318 (1x)

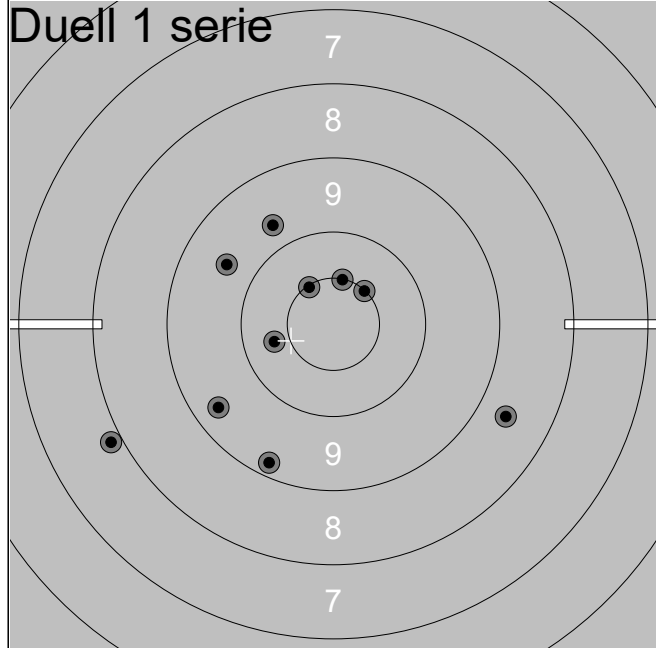


2.17s	0.0	↗
2.17s	5.0	→
2.02s	8.0	↖
2.17s	8.2	↑
2.06s	7.9	↘
2.04s	9.7	↗
2.00s	5.4	↗
2.06s	5.9	↖
2.16s	7.6	↑
1.88s	6.0	↗
Serie		60 (0x)
Total		378 (1x)



1.90s	8.6	→
1.92s	0.0	↑
1.99s	10.7x	→
2.04s	6.6	↖
1.86s	5.0	↗
1.89s	5.9	↖
1.99s	0.0	↗
1.95s	7.5	↑
1.96s	5.8	↗
1.86s	5.8	↗
Serie		51 (1x)
Total		429 (2x)

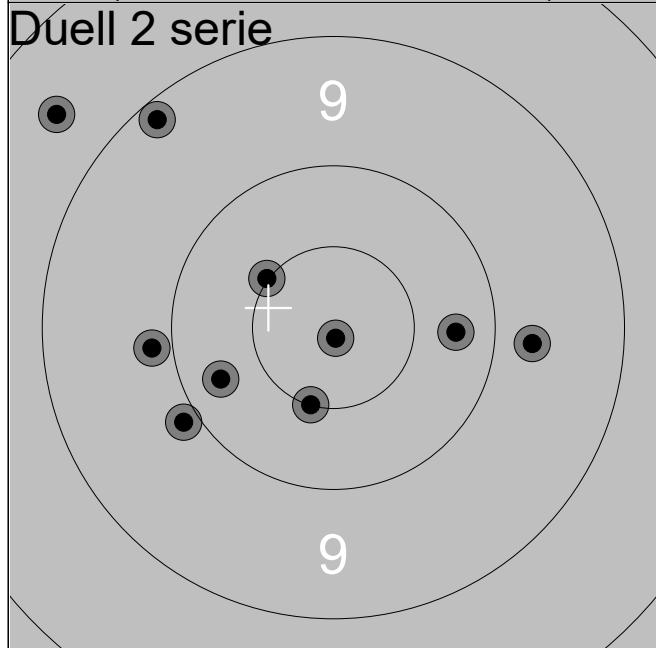
Lag 1	Skive 6	Roar Hembre		
Finpistol Duell		Trondheim Sportsskyttere		M
23.06.2019		NM bane 2019		NM Pistol 2019
Duell 1 serie 		2.75s	10.4x	↖
		2.48s	7.7	←
		2.50s	10.1	←
		2.39s	10.0	↗
		2.31s	10.4	↖
		2.29s	10.0	↗
		2.34s	9.2	↗
		2.42s	10.0	→
		2.06s	10.0	↖
		2.06s	9.0	↗
Serie		95 (1x)		
Total		357 (1x)		
Duell 2 serie 		2.29s	8.7	↑
		2.75s	10.1	↓
		2.02s	9.0	↑
		2.50s	9.5	→
		2.29s	10.2	↑
		2.46s	10.5x	←
		2.81s	10.6x	↘
		2.33s	10.3	↖
		2.18s	9.9	↓
		2.06s	10.0	↗
Serie		95 (2x)		
Total		452 (3x)		
Duell 3 serie 		2.25s	9.8	↗
		2.41s	8.4	↗
		2.14s	10.5x	↑
		1.86s	10.1	↖
		2.20s	9.8	↑
		2.34s	10.2	↑
		1.91s	8.5	↗
		2.02s	9.7	↓
		1.87s	10.8x	←
		1.92s	10.1	→
Serie		93 (2x)		
Total		545 (5x)		



2.52s	9.3	↙
2.72s	10.3	←
2.58s	10.5x	↗
2.54s	7.9	↙
2.42s	8.6	↘
2.49s	10.5x	↗
2.46s	10.5x	↑
2.40s	9.6	↖
2.73s	9.7	↗
2.23s	9.2	↓

Serie	91 (3x)
--------------	-----------------

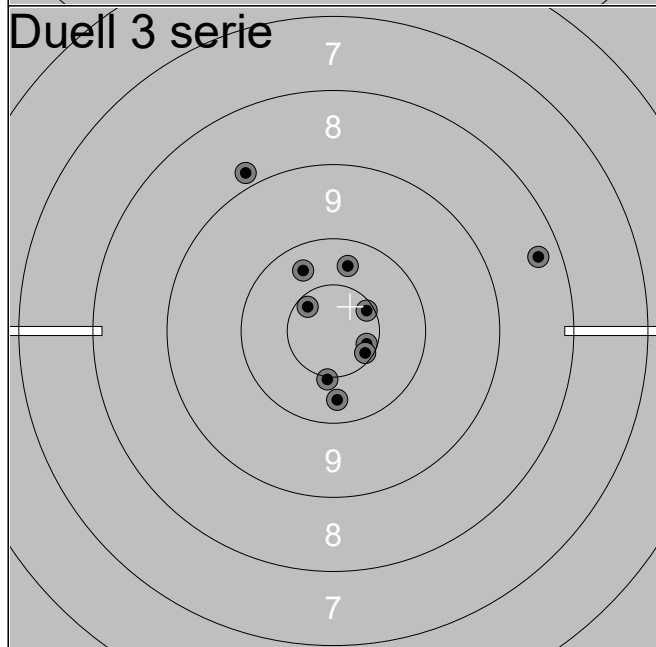
Total	352 (3x)
--------------	------------------



2.48s	10.2	→
2.25s	10.5x	↖
2.29s	10.9x	↓
2.38s	10.2	←
2.52s	9.7	→
2.39s	9.2	↗
2.27s	10.5x	↓
2.15s	8.6	↗
2.48s	9.9	←
2.43s	9.9	↙

Serie	94 (3x)
--------------	-----------------

Total	446 (6x)
--------------	------------------



2.61s	10.6x	→
2.71s	10.6x	↘
2.50s	8.8	↗
2.49s	10.3	↗
2.47s	10.3	↑
2.47s	10.6x	↖
2.50s	10.4x	↓
2.31s	10.2	↓
2.41s	10.6x	↗
2.52s	8.3	→

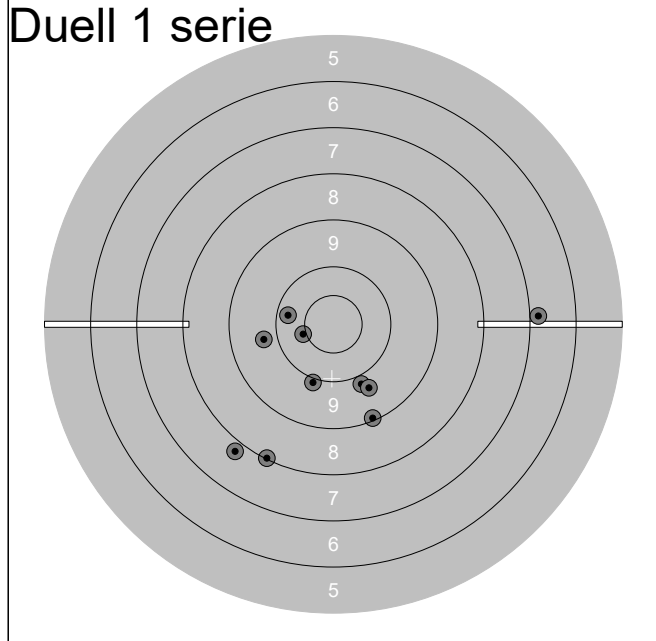
Serie	96 (5x)
--------------	-----------------

Total	542 (11x)
--------------	------------------

Lag 1	Skive 8	Svein Kristian Risa
-----------------	-------------------	----------------------------

Finpistol Duell	Hafersfjord Pk	M
-----------------	----------------	---

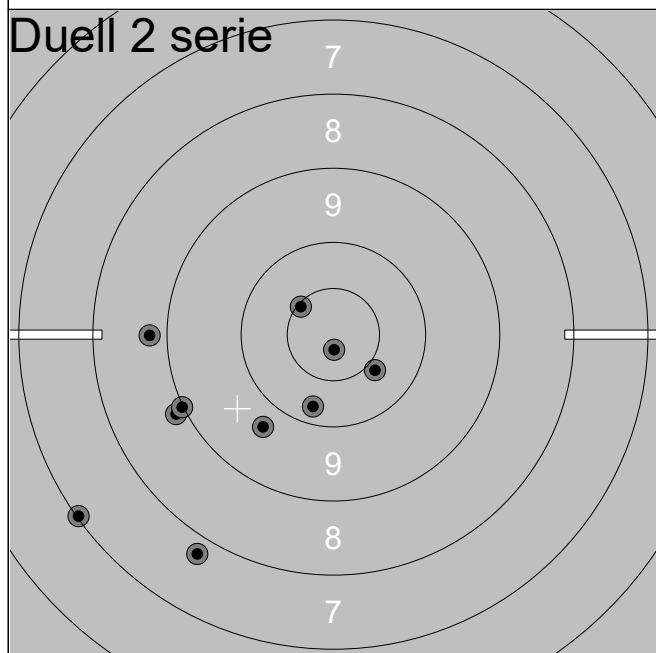
23.06.2019	NM bane 2019	NM Pistol 2019
------------	--------------	----------------



2.33s	8.0	↘
2.35s	6.8	→
1.92s	7.8	↙
2.12s	9.1	↘
2.17s	9.8	↘
2.29s	9.9	↘
2.31s	9.7	←
2.24s	10.2	←
2.11s	9.7	↘
2.33s	10.4	←

Serie	86 (0x)
-------	----------

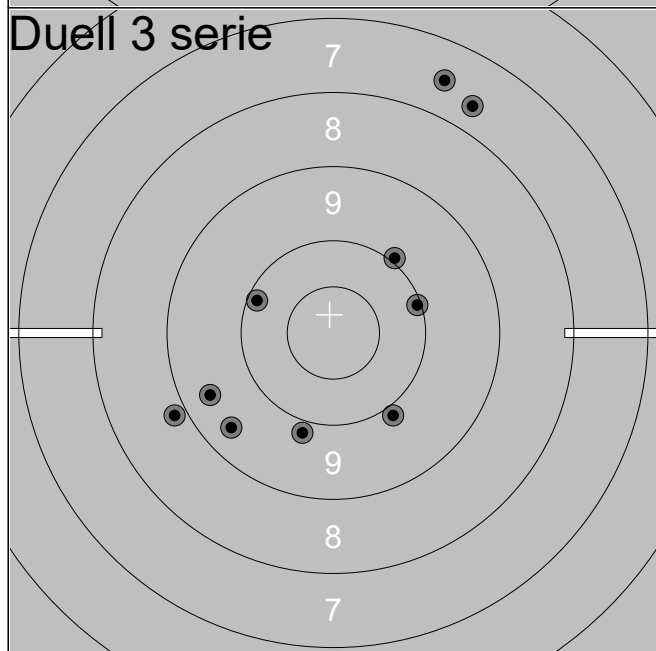
Total	347 (0x)
-------	-----------



2.39s	7.8	↘
2.59s	8.9	←
2.49s	10.8x	↘
2.29s	10.5x	↗
2.41s	9.0	←
3.16s	10.4	↘
2.16s	7.0	←
2.31s	8.8	←
2.24s	10.2	↘
2.21s	9.7	↘

Serie	88 (2x)
-------	----------

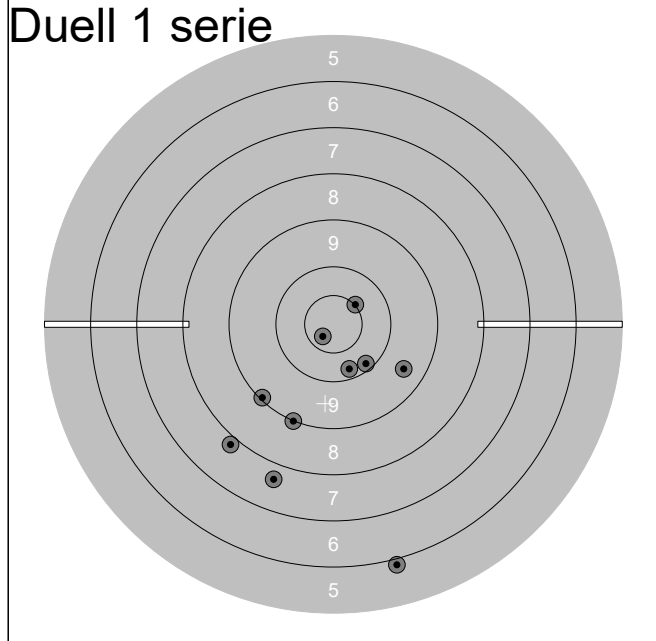
Total	435 (2x)
-------	-----------



2.68s	10.1	←
2.73s	9.9	↘
2.69s	7.5	↗
2.38s	10.0	↗
2.54s	7.7	↗
2.83s	10.0	→
3.03s	9.9	↘
2.44s	9.4	←
2.45s	9.4	↘
2.52s	8.9	←

Serie	88 (0x)
-------	----------

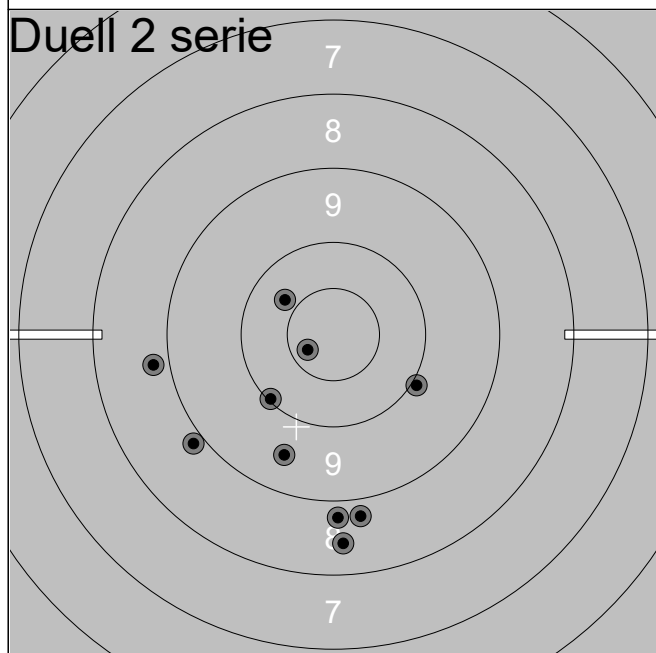
Total	523 (2x)
-------	-----------



2.73s	10.5x	↗
2.72s	9.1	↘
2.81s	7.7	↘
2.74s	5.9	↘
2.74s	10.1	↘
2.75s	10.2	↘
2.67s	10.7x	↘
2.76s	9.0	↘
2.70s	9.5	↘
2.69s	7.8	↘

Serie **86 (2x)**

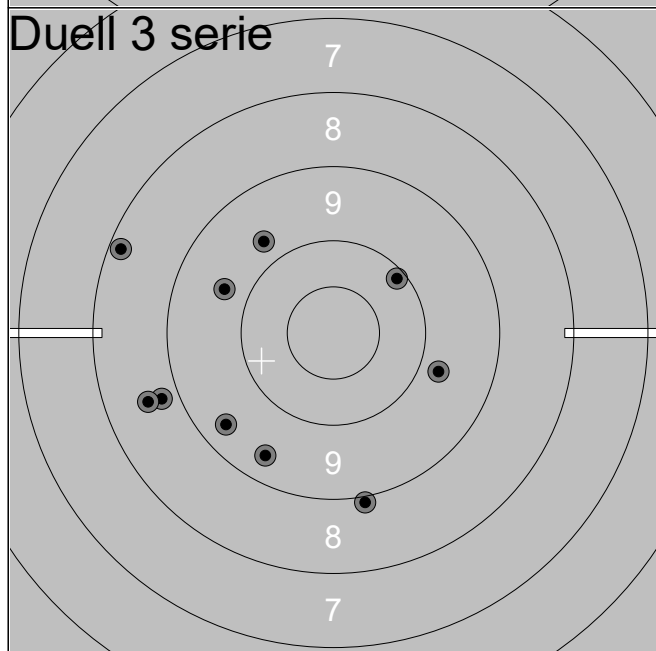
Total **347 (2x)**



2.93s	8.9	↙
2.90s	10.0	↘
2.82s	8.4	↓
2.76s	8.8	←
2.82s	8.8	↓
3.02s	9.5	↘
2.76s	10.3	↗
2.69s	8.8	↓
2.84s	10.0	↙
2.95s	10.6x	↙

Serie **89 (1x)**

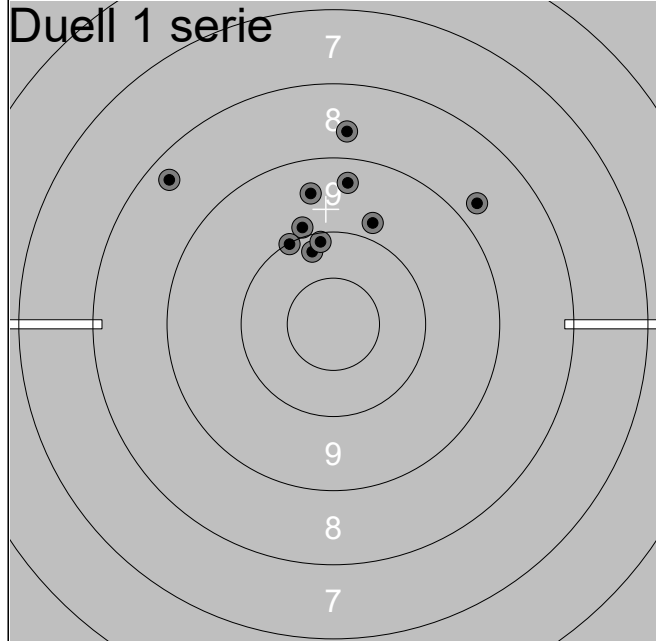
Total **436 (3x)**



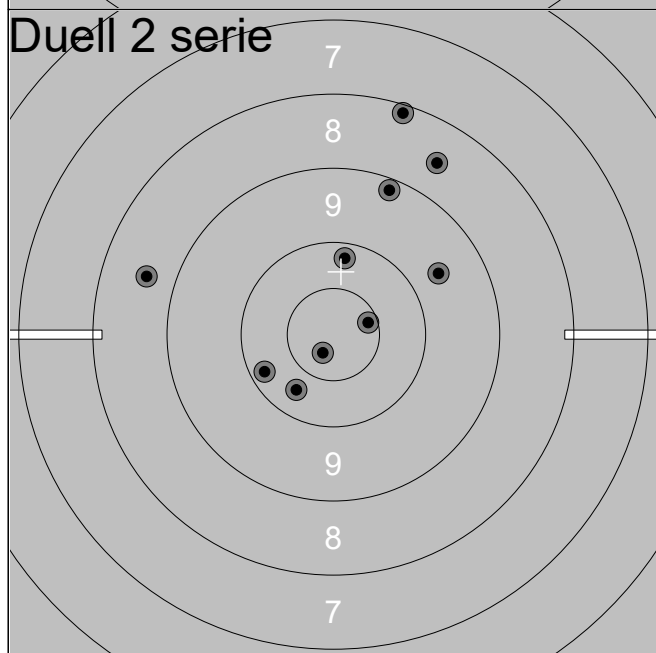
2.86s	8.2	↖
2.83s	8.8	↖
2.92s	9.4	↘
2.79s	8.9	↓
2.90s	10.1	↗
2.63s	8.6	←
3.16s	9.4	↘
2.72s	9.7	↗
2.50s	9.7	↖
2.59s	9.8	↘

Serie **87 (0x)**

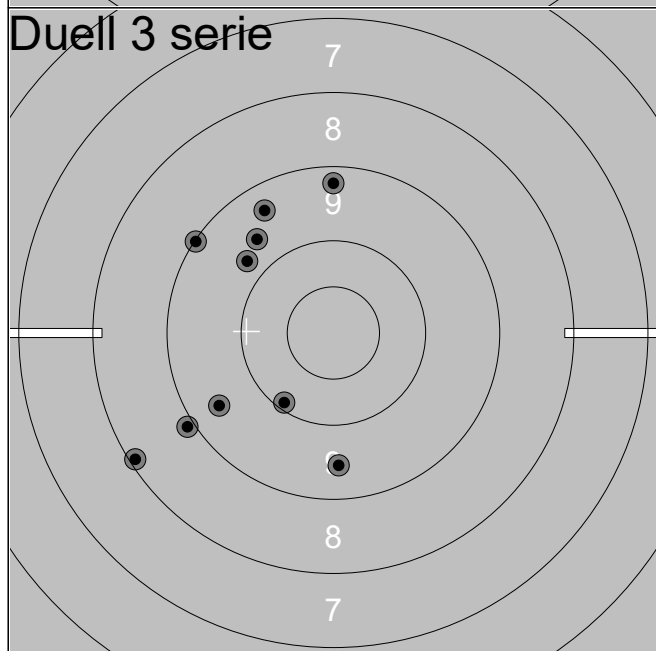
Total **523 (3x)**



2.09s	8.7	↑
2.09s	9.5	↑
2.33s	9.8	↗
2.12s	10.2	↑
2.14s	9.9	↑
2.37s	8.7	↗
2.29s	8.3	↖
2.33s	10.1	↑
2.31s	10.0	↖
2.21s	9.3	↑
Serie		90 (0x)
Total		350 (0x)



2.25s	8.6	↖
2.13s	10.3	↘
2.43s	10.1	↖
2.12s	10.7x	↘
2.16s	9.6	↗
1.99s	10.6x	↗
2.39s	10.2	↑
2.23s	8.1	↑
2.19s	8.6	↗
2.08s	9.2	↑
Serie		92 (2x)
Total		442 (2x)

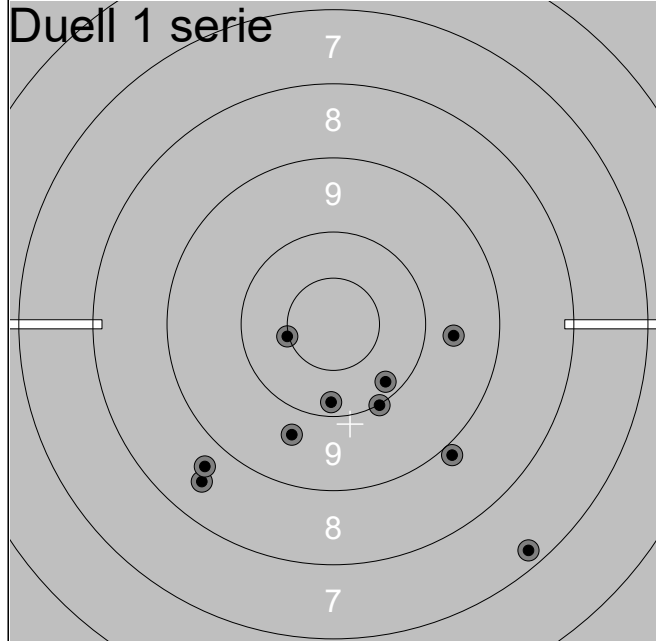


2.12s	9.8	↖
2.27s	9.4	↖
2.36s	9.5	↓
2.54s	9.2	↑
2.27s	9.0	↖
2.02s	8.1	↖
2.58s	9.4	↑
2.56s	8.9	↖
2.17s	9.6	↖
2.16s	10.1	↘
Serie		89 (0x)
Total		531 (2x)

Lag 1	Skive 11	Harald Andreas Sæle		
-----------------	--------------------	----------------------------	--	--

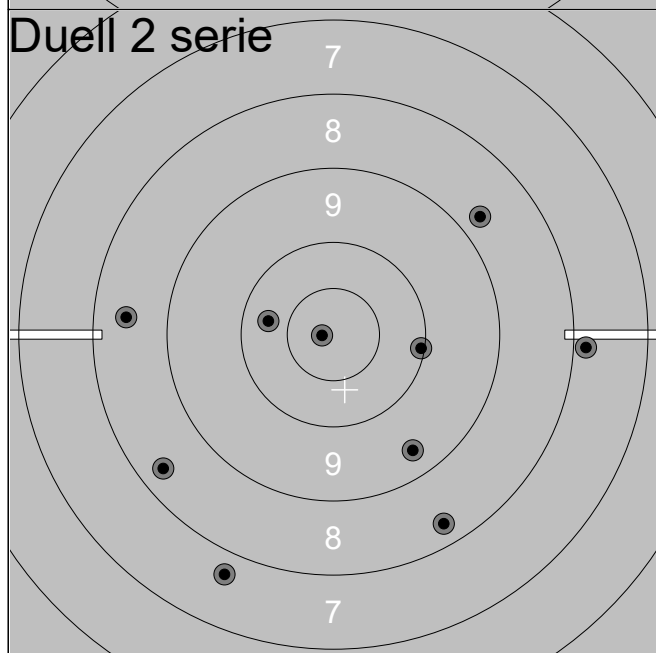
Finpistol Duell	Porsgrunn Pk	M	
-----------------	--------------	---	--

23.06.2019	NM bane 2019	NM Pistol 2019	
------------	--------------	----------------	--



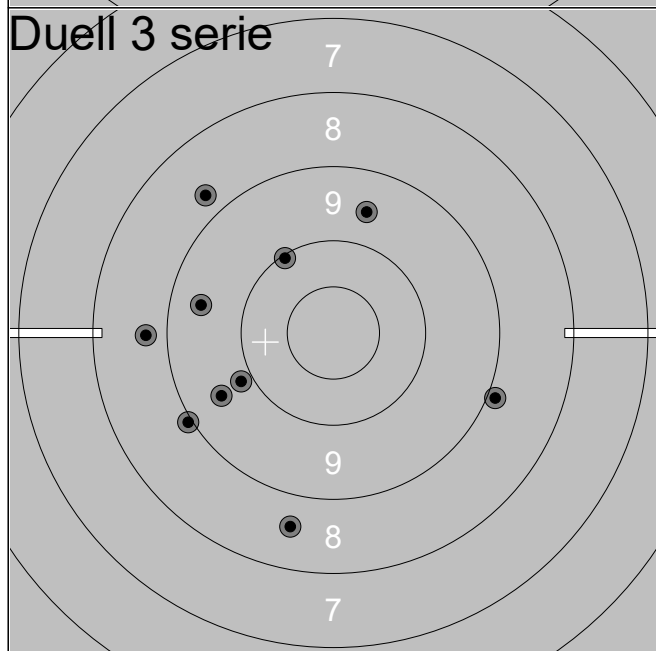
2.23s	8.9	↘
2.21s	8.5	↙
1.55s	7.2	↘
2.45s	10.2	↘
2.25s	9.6	→
2.42s	10.0	↘
2.60s	9.7	↘
2.57s	10.1	↓
2.69s	10.5x	←
2.50s	8.7	↘

Serie	89 (1x)
Total	347 (1x)



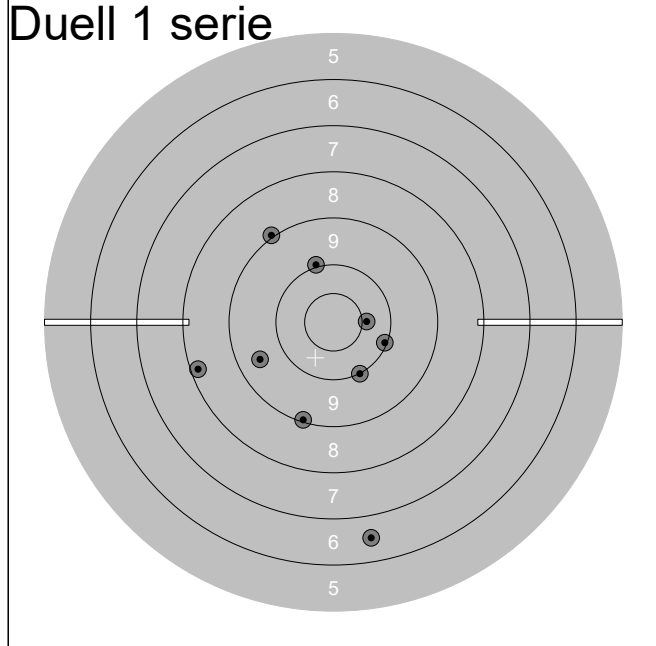
2.48s	10.0	→
2.44s	8.5	←
2.78s	8.3	↘
2.58s	10.8x	←
2.39s	7.7	↘
2.60s	10.3	←
2.73s	8.7	↗
2.77s	9.4	↘
2.57s	8.3	↙
2.54s	7.9	→

Serie	85 (1x)
Total	432 (2x)

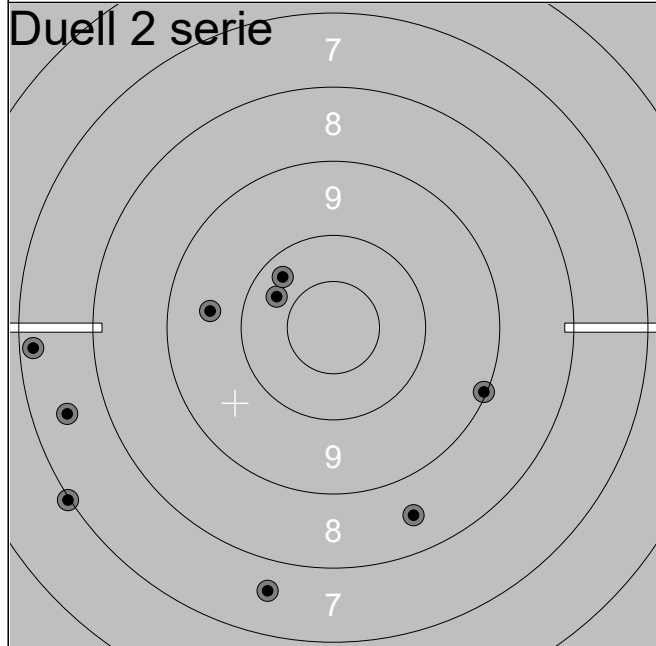


2.61s	9.0	↙
2.80s	8.6	↓
2.89s	8.7	↗
2.84s	9.4	←
2.81s	10.0	↗
2.50s	8.7	←
2.77s	8.9	→
2.59s	9.6	↑
2.50s	9.9	↙
2.81s	9.5	↙

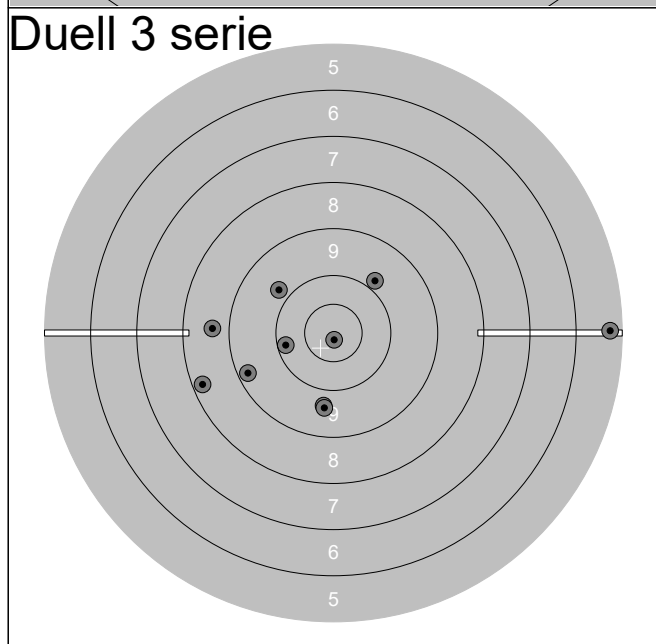
Serie	87 (0x)
Total	519 (2x)



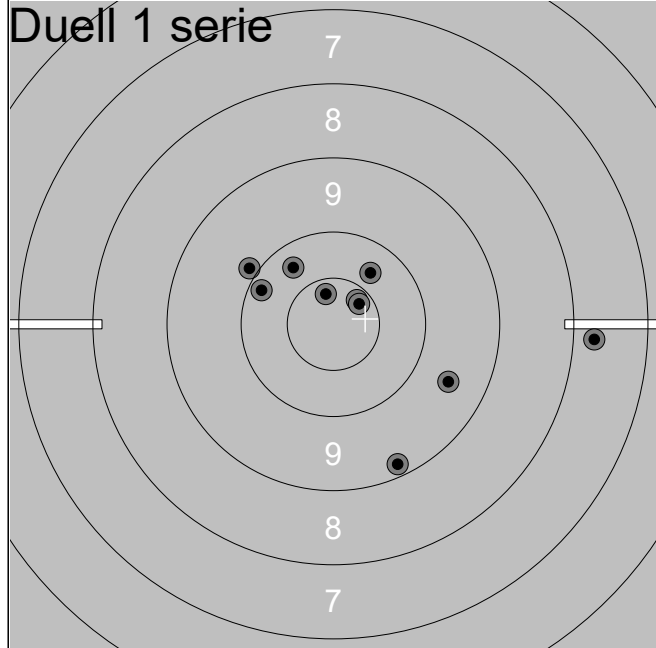
2.71s	9.0				↗
2.54s	8.2				←
2.38s	10.0				↘
2.92s	10.0				↑
2.29s	10.4				→
2.74s	☐				
2.36s	9.1				↓
2.54s	10.0				↓
2.54s	6.5				↓
2.60s	9.5				↖
Serie					81 (0x)
Total					339 (0x)



2.86s	7.0				↖
	--				
2.66s	7.2				←
2.75s	10.3				↗
2.23s	9.1				↘
2.62s	7.5				←
2.60s	10.2				↗
2.57s	7.6				↓
2.65s	8.5				↓
2.49s	9.6				←
Serie					74 (0x)
Total					413 (0x)



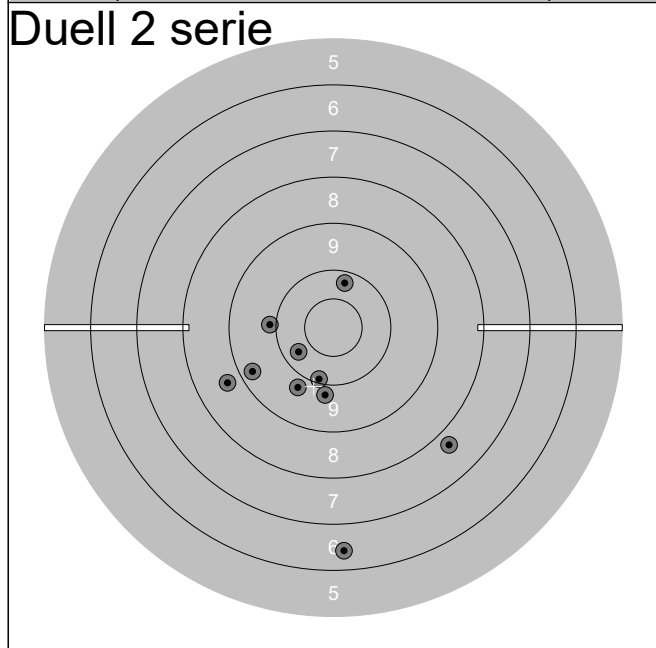
2.90s	9.7				↓
2.54s	8.7				←
2.52s	9.8				↗
2.45s	5.3				→
2.39s	9.2				←
2.72s	10.1				←
2.45s	10.8x				↓
2.45s	9.6				↓
2.95s	8.2				←
2.50s	9.8				↗
Serie					86 (1x)
Total					499 (1x)



2.64s	10.6x	↗
2.72s	9.5	↘
2.69s	9.9	↗
2.67s	10.6x	↑
2.83s	10.6x	↗
2.65s	10.2	↗
2.64s	10.1	↖
2.75s	7.7	→
2.84s	9.2	↓
2.69s	10.3	↗

Serie 94 (3x)

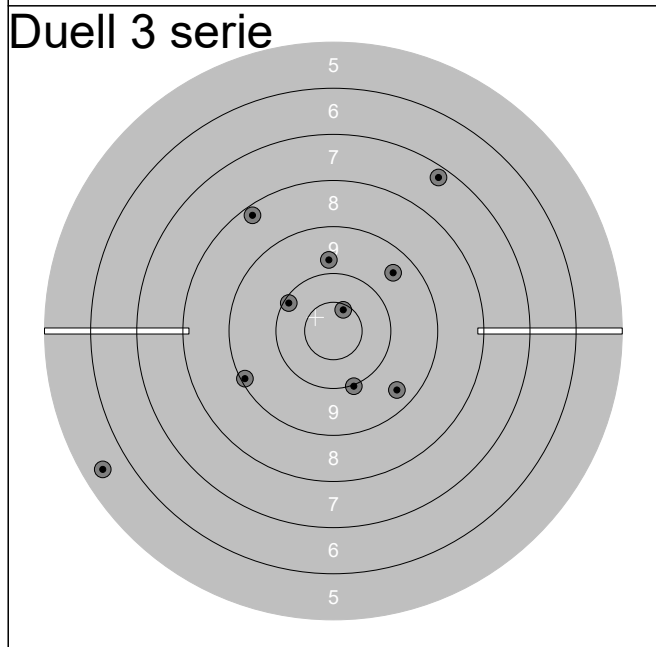
Total 352 (3x)



2.59s	9.8	↓
2.69s	10.2	↖
2.66s	7.7	↘
2.85s	6.4	↓
2.56s	8.7	↖
2.70s	9.9	←
3.11s	9.8	↘
2.65s	10.2	↑
2.73s	10.1	↓
2.68s	9.3	↖

Serie 87 (0x)

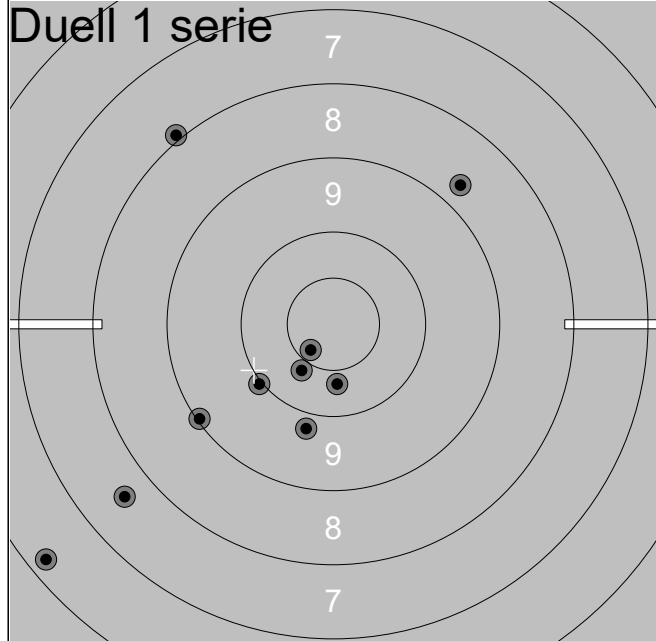
Total 439 (3x)



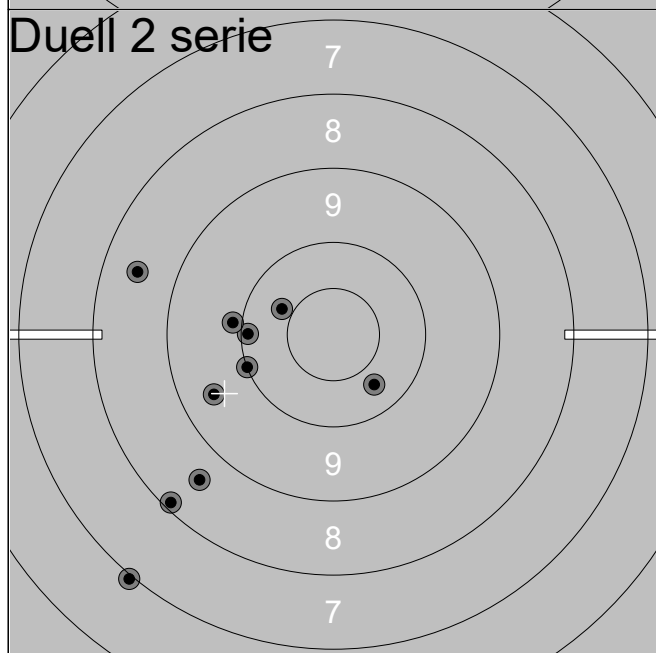
2.48s	9.1	↖
2.91s	10.0	↓
2.66s	10.6x	↗
2.54s	9.4	↘
2.74s	10.1	↖
2.84s	8.2	↗
2.62s	9.7	↑
2.59s	7.2	↗
2.50s	9.5	↗
2.63s	5.5	↖

Serie 86 (1x)

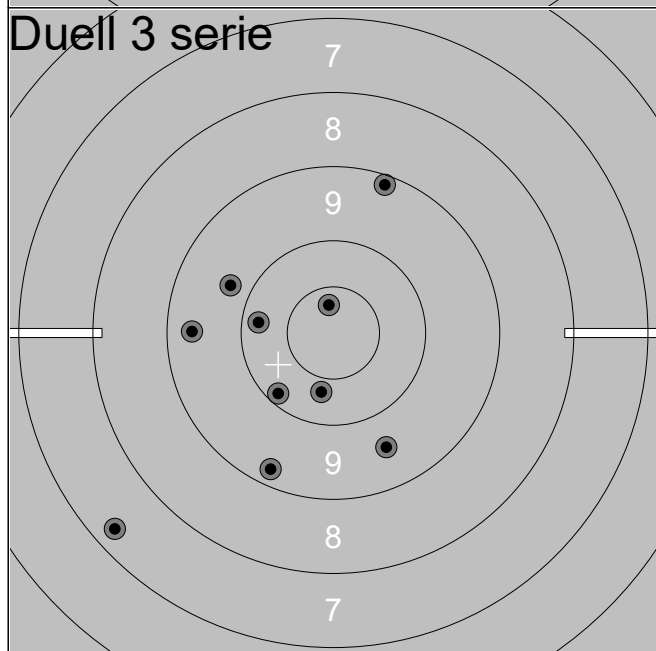
Total 525 (4x)



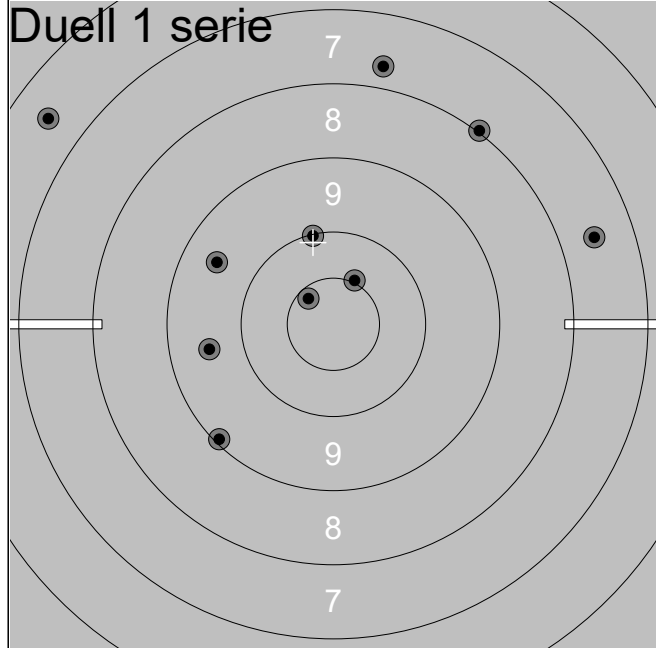
2.48s	10.0	↙
2.42s	10.3	↓
2.50s	9.8	↓
2.31s	7.9	↖
2.41s	7.6	↙
2.76s	6.2	↙
2.65s	10.4	↓
2.73s	8.7	↗
2.23s	9.1	↙
2.38s	10.6x	↙
Serie		86 (1x)
Total		344 (1x)



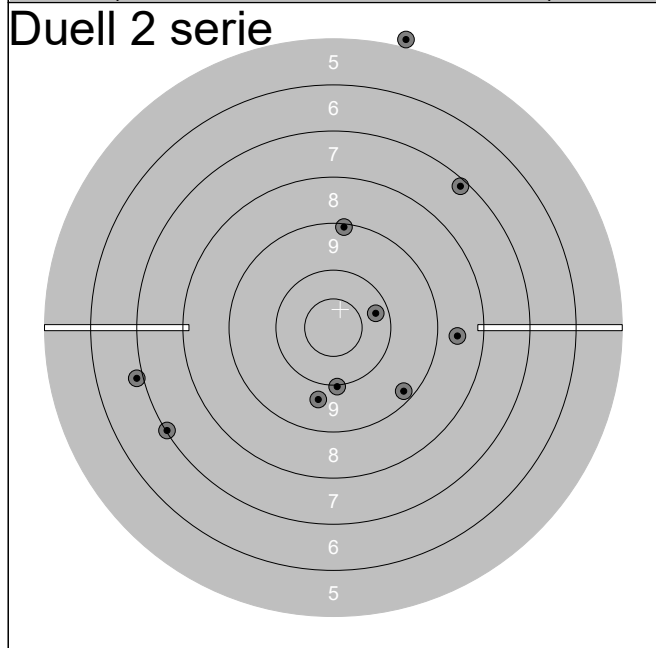
2.46s	10.3	↘
2.45s	10.0	←
2.41s	8.6	↙
2.57s	9.5	←
2.39s	10.4	↖
2.58s	10.1	←
2.90s	7.0	↙
2.48s	9.9	←
2.67s	8.1	↙
2.52s	8.5	←
Serie		89 (0x)
Total		433 (1x)



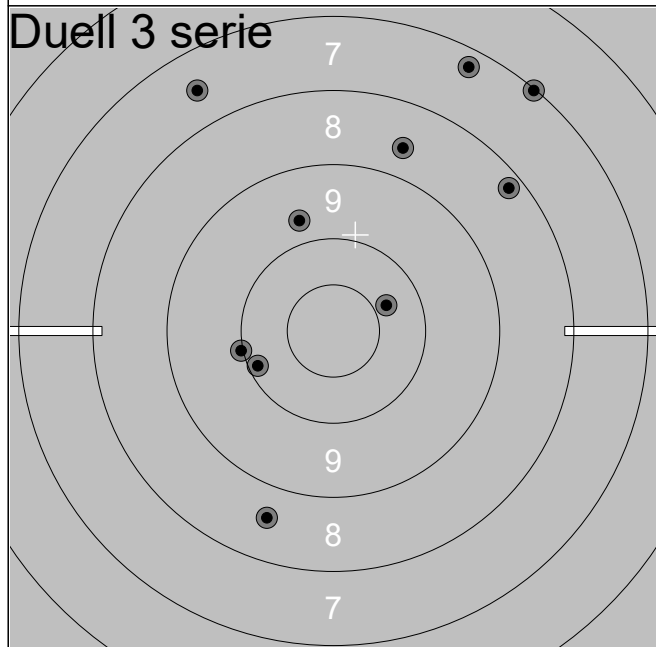
2.41s	10.7x	↑
2.39s	10.2	←
2.45s	7.3	↙
2.62s	9.6	↓
2.48s	10.1	↙
2.39s	10.3	↓
2.33s	9.4	←
2.36s	9.7	↖
2.31s	9.1	↑
2.48s	9.2	↓
Serie		92 (1x)
Total		525 (2x)



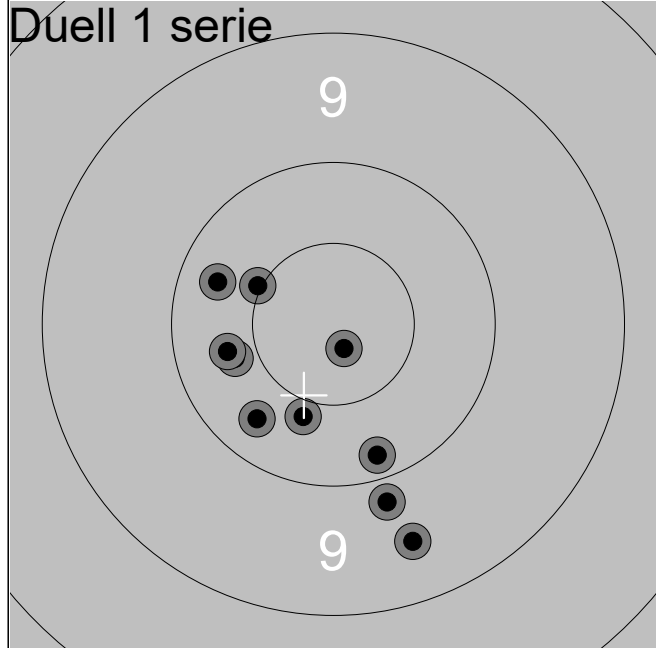
2.13s	7.7	↑
2.27s	9.6	←
2.08s	10.0	↑
2.35s	8.0	↗
2.37s	9.1	↙
2.29s	7.6	→
2.48s	10.6x	↖
2.33s	6.5	↖
2.71s	9.5	↖
2.50s	10.4x	↑
Serie		85 (2x)
Total		340 (2x)



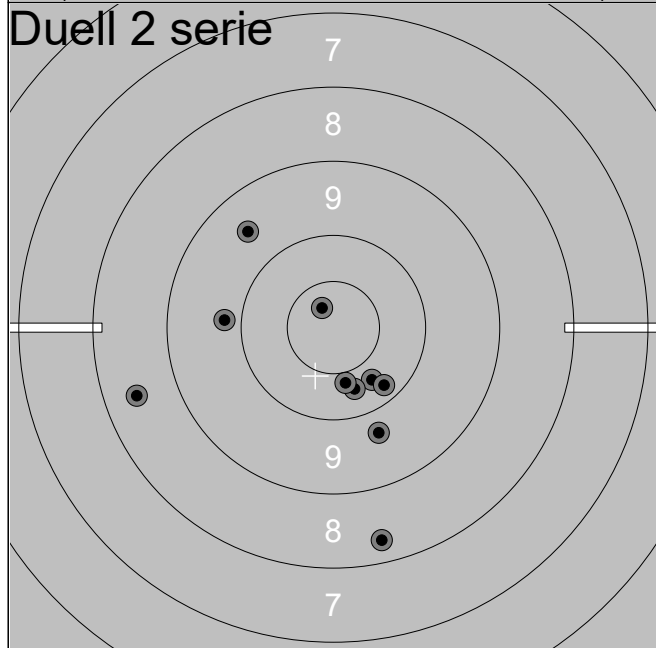
2.39s	0.0	↑
2.52s	9.7	↓
2.23s	7.0	←
2.48s	10.2	→
2.29s	8.6	→
2.40s	7.2	↗
2.34s	9.1	↑
2.23s	6.9	←
2.11s	10.0	↓
2.34s	9.2	↘
Serie		75 (0x)
Total		415 (2x)



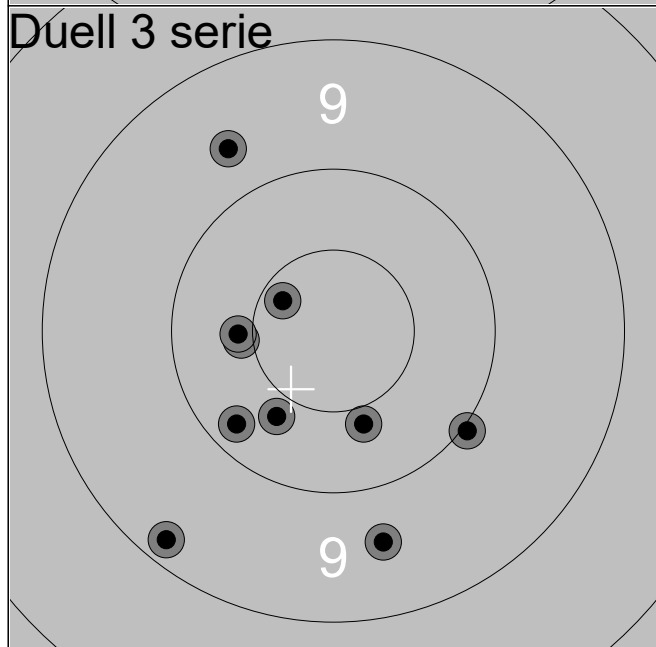
2.02s	7.0	↗
1.85s	9.7	↑
2.14s	10.3	→
2.13s	10.0	←
2.35s	10.1	←
2.17s	7.5	↖
2.17s	8.6	↓
2.17s	7.3	↑
2.10s	8.6	↑
2.39s	8.2	↗
Serie		84 (0x)
Total		499 (2x)



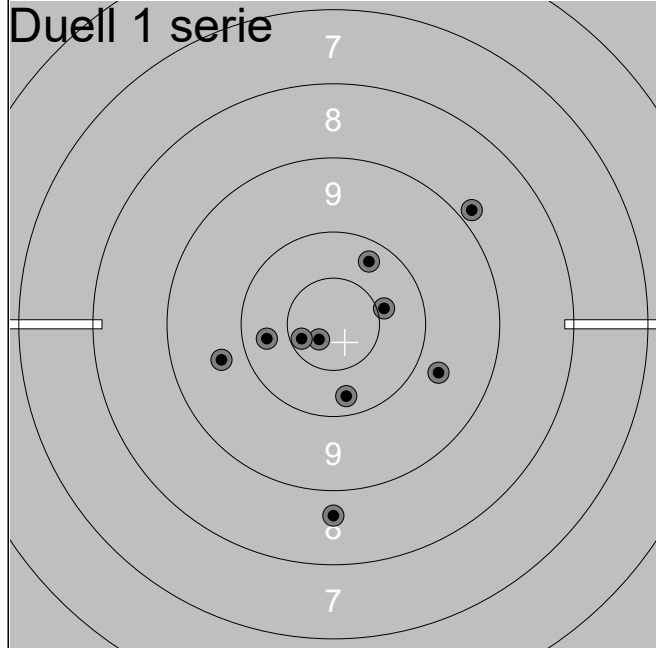
2.88s	10.5x	↖
2.90s	10.2	↖
3.11s	9.8	↓
2.93s	9.5	↓
3.14s	10.3	↖
3.05s	10.3	↖
3.04s	10.4	↓
2.94s	10.8x	↓
2.83s	10.2	↘
2.81s	10.1	↓
Serie		98 (2x)
Total		352 (2x)



3.04s	9.8	↖
3.04s	10.3	↓
2.95s	10.3	↓
2.89s	10.4	↓
2.83s	10.7x	↗
3.09s	9.5	↗
2.94s	8.3	↓
2.92s	8.5	↖
3.04s	9.7	↓
2.89s	10.2	↓
Serie		93 (1x)
Total		445 (3x)

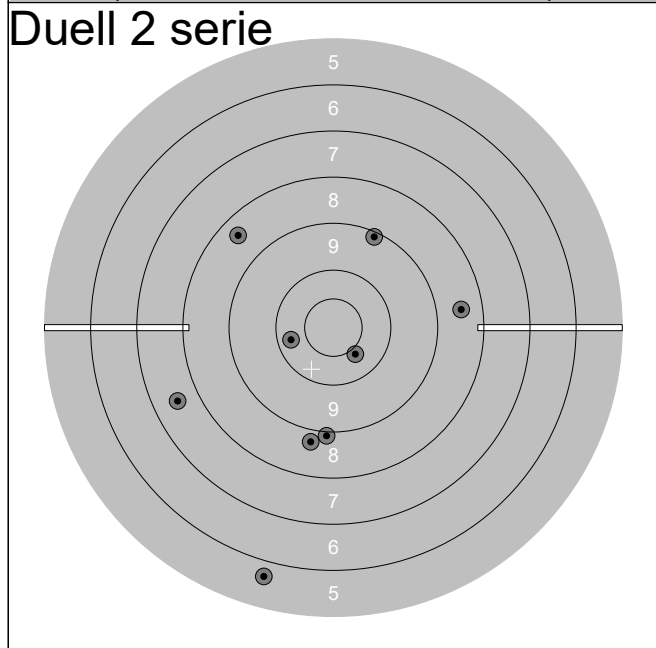


3.06s	9.6	↗
3.10s	10.0	↓
3.03s	9.2	↓
2.86s	9.6	↓
3.00s	10.4	↖
2.87s	10.4	↓
2.85s	10.6x	↗
3.00s	10.2	↖
2.97s	10.3	↓
2.80s	10.4	↖
Serie		97 (1x)
Total		542 (4x)



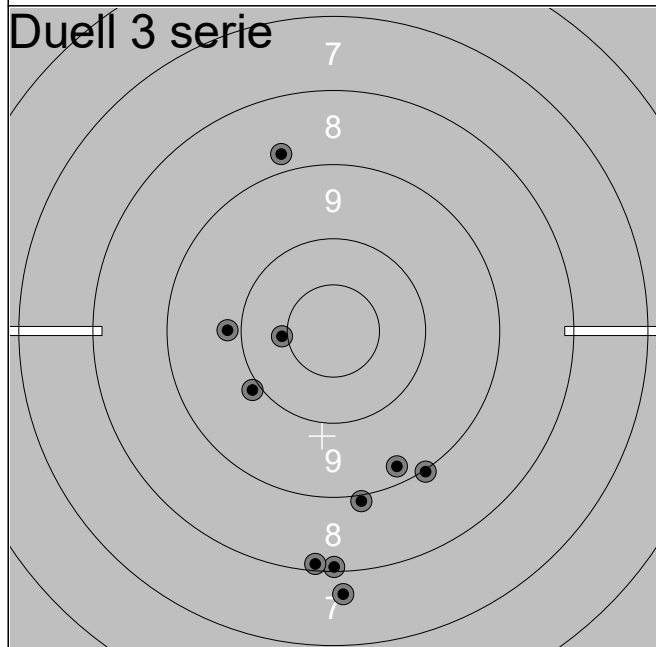
2.29s	10.7x	↙
2.54s	10.4	→
2.60s	8.7	↓
2.84s	9.7	←
2.43s	10.6x	←
2.23s	10.2	↗
2.66s	10.3	←
2.90s	9.7	↘
2.31s	8.8	↗
2.38s	10.2	↓

Serie	94 (2x)
Total	348 (2x)



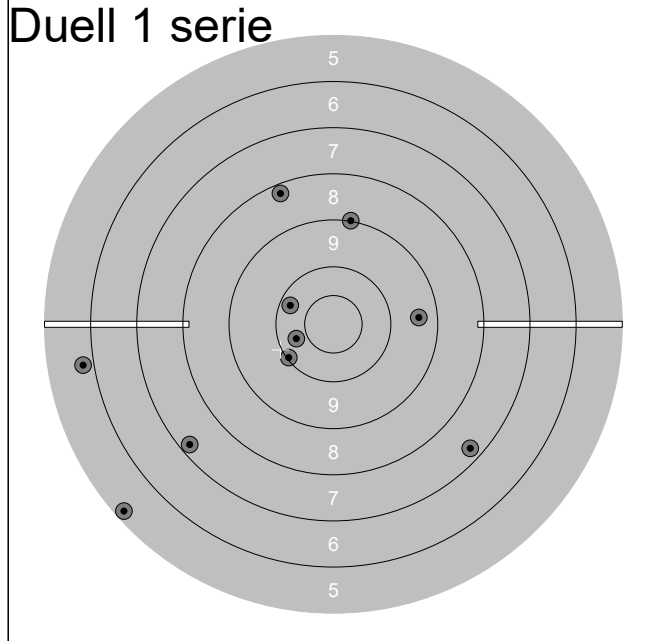
2.73s	9.1	↗
2.60s	8.4	↖
2.57s	8.8	↓
2.72s	8.9	↓
2.50s	8.5	→
2.50s	☒	
2.40s	10.4	↘
2.45s	10.2	←
2.54s	7.5	←
2.58s	5.7	↓

Serie	73 (0x)
Total	421 (2x)



2.39s	8.8	↗
2.62s	7.7	↓
2.63s	8.1	↓
2.50s	9.2	↓
2.52s	8.9	↓
2.35s	10.4	←
2.34s	9.8	←
2.38s	8.1	↓
2.71s	9.9	←
2.71s	9.0	↘

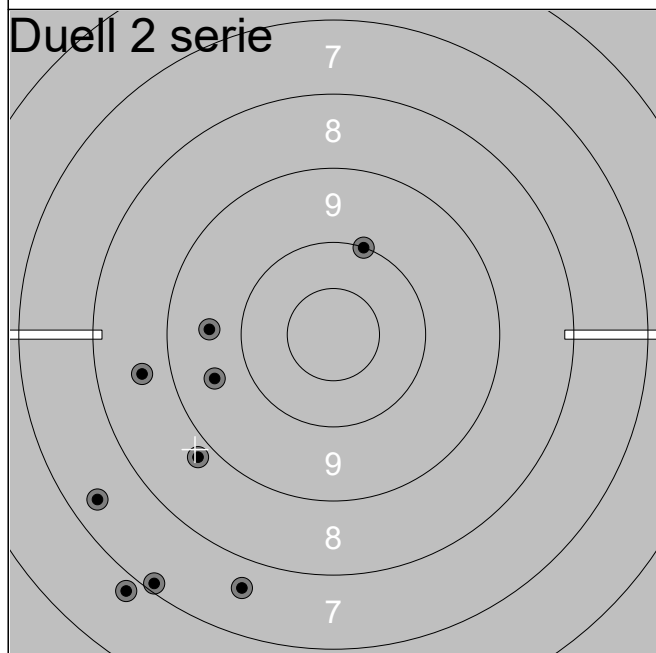
Serie	85 (0x)
Total	506 (2x)



2.04s	9.0	↑
2.12s	7.3	↓
2.37s	10.3	←
2.00s	8.2	↑
2.27s	5.8	←
2.23s	9.4	→
2.60s	10.0	←
2.73s	7.2	←
2.34s	10.2	↖
2.35s	5.2	↙

Serie 80 (0x)

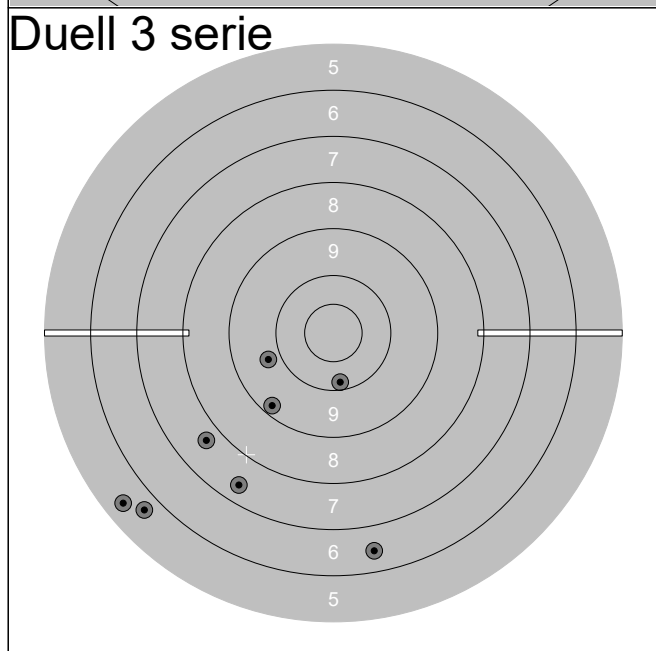
Total 333 (0x)



2.47s	9.6	←
2.50s	7.6	↓
2.24s	6.8	↓
2.31s	10.0	↑
2.29s	8.6	←
2.39s	7.1	↓
2.65s	9.6	←
2.34s	8.8	↙
2.99s	☐	
2.38s	7.4	↙

Serie 71 (0x)

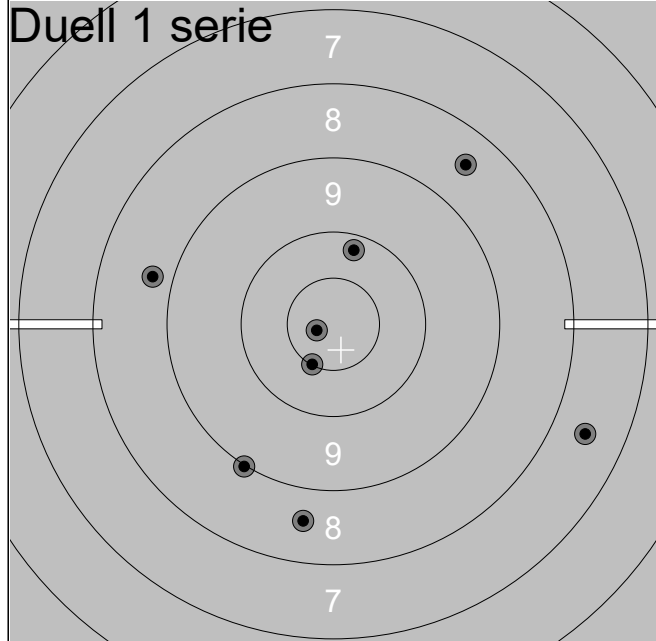
Total 404 (0x)



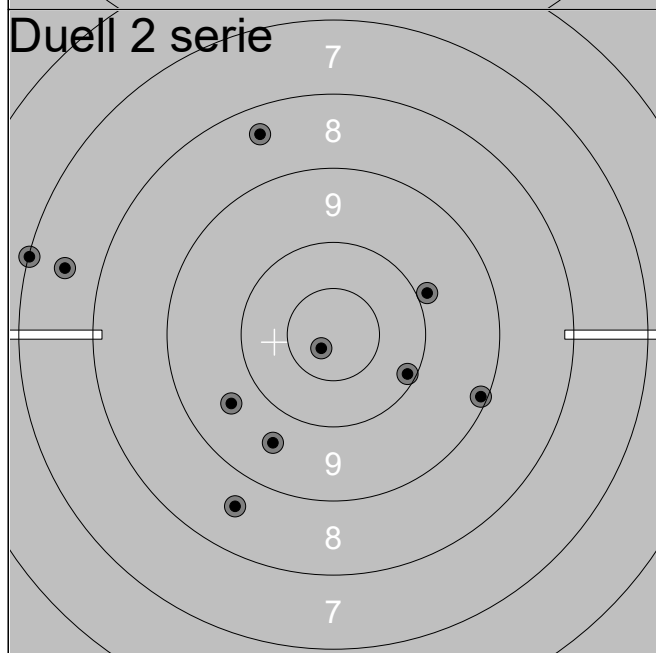
2.02s	9.7	←
2.25s	5.4	↙
2.29s	5.7	↙
2.29s	☐	
2.69s	☐	
2.34s	7.7	↙
2.39s	9.2	↙
2.62s	10.1	↓
2.83s	6.5	↓
2.48s	7.4	↙

Serie 58 (0x)

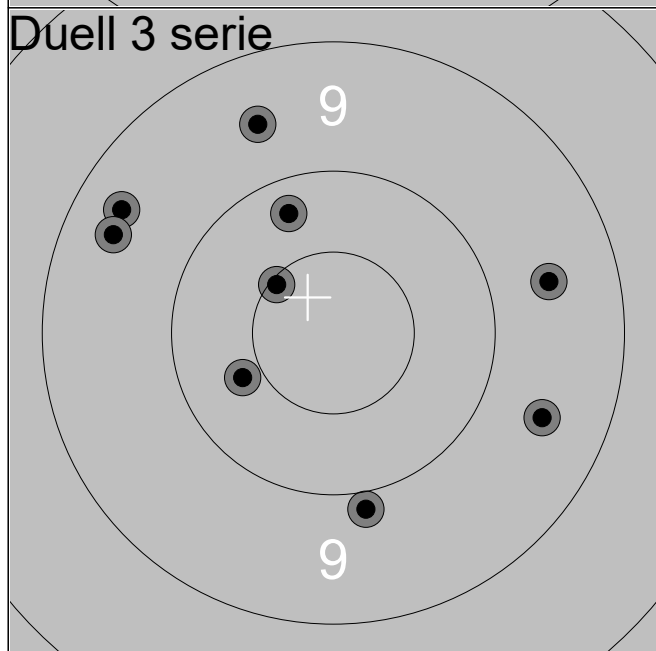
Total 462 (0x)



--	
--	
2.87s	10.2
2.31s	10.5x
3.06s	8.7
2.39s	8.6
2.25s	10.8x
2.24s	9.0
2.66s	7.6
2.52s	8.5
Serie	70 (2x)
Total	323 (2x)



2.49s	10.1
2.47s	9.1
2.67s	8.6
2.60s	8.4
2.23s	7.5
2.52s	10.8x
2.43s	9.9
2.66s	9.6
2.77s	9.6
2.57s	7.0
Serie	86 (1x)
Total	409 (3x)

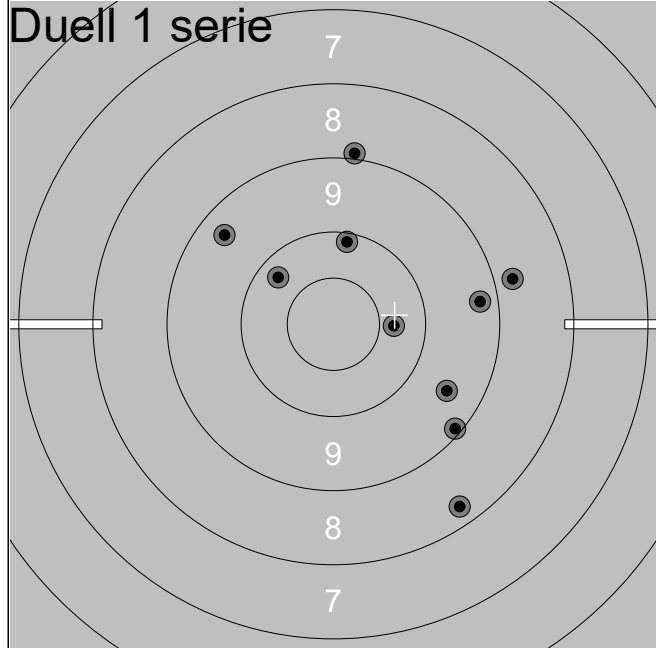


2.63s	9.5
2.66s	9.9
2.38s	9.4
2.37s	10.2
--	
2.66s	9.6
2.10s	9.4
2.77s	9.6
2.17s	10.4
1.98s	10.5x
Serie	84 (1x)
Total	493 (4x)

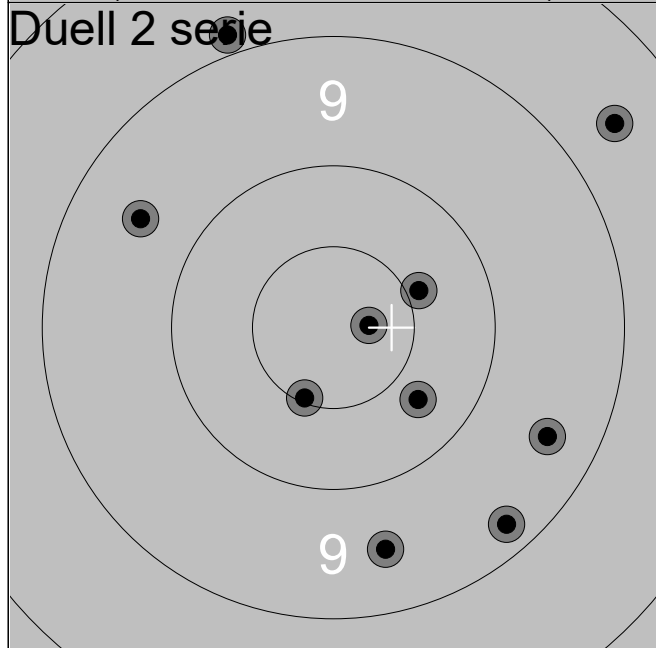
Lag 1	Skive 20	Tim Leo Hembre
-----------------	--------------------	-----------------------

Finpistol Duell	Bærum Pk	U
-----------------	----------	---

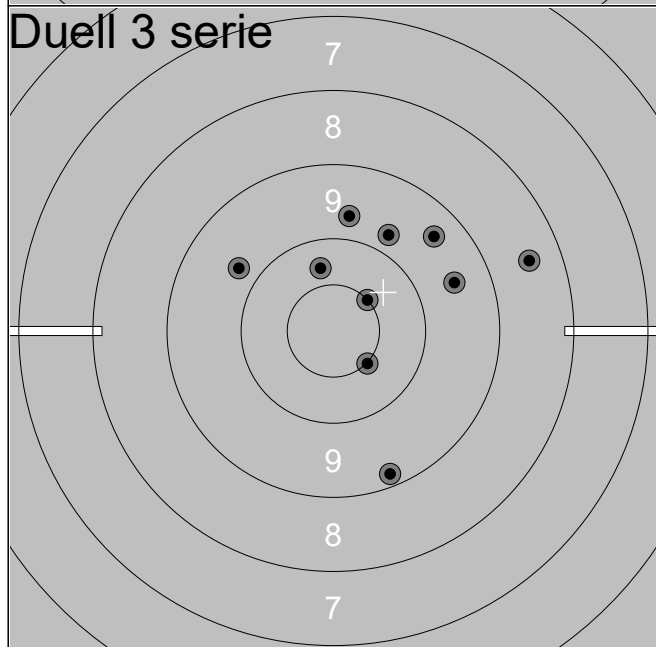
23.06.2019	NM bane 2019	NM Pistol 2019
------------	--------------	----------------



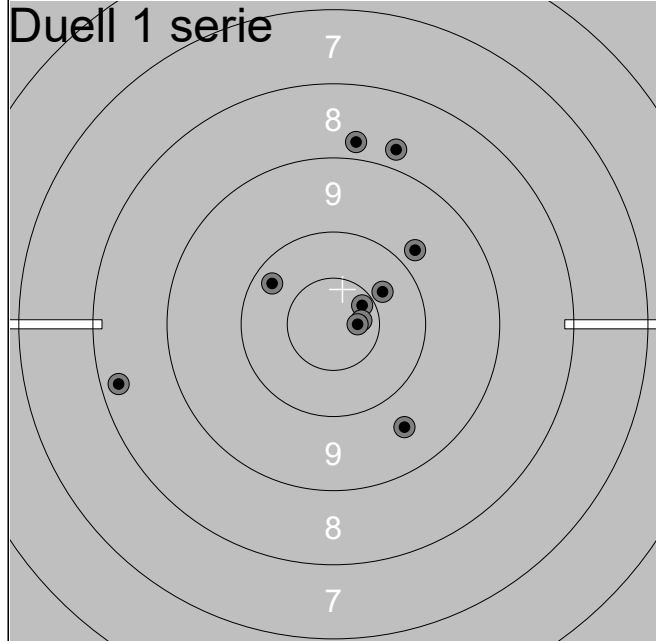
2.10s	8.3	↘
2.37s	9.1	↘
2.08s	8.8	→
2.47s	9.3	→
2.38s	9.5	↘
2.35s	8.9	↑
2.18s	10.3	→
2.22s	9.4	↗
2.31s	10.1	↑
2.17s	10.2	↖
Serie	90 (0x)	
Total	342 (0x)	



2.52s	9.5	↓
2.49s	10.4	→
2.47s	10.7x	→
2.62s	9.2	↘
2.52s	8.6	↗
2.38s	8.9	↑
2.46s	9.6	↗
2.44s	9.4	↘
2.17s	10.5x	↓
2.40s	10.3	↘
Serie	92 (2x)	
Total	434 (2x)	

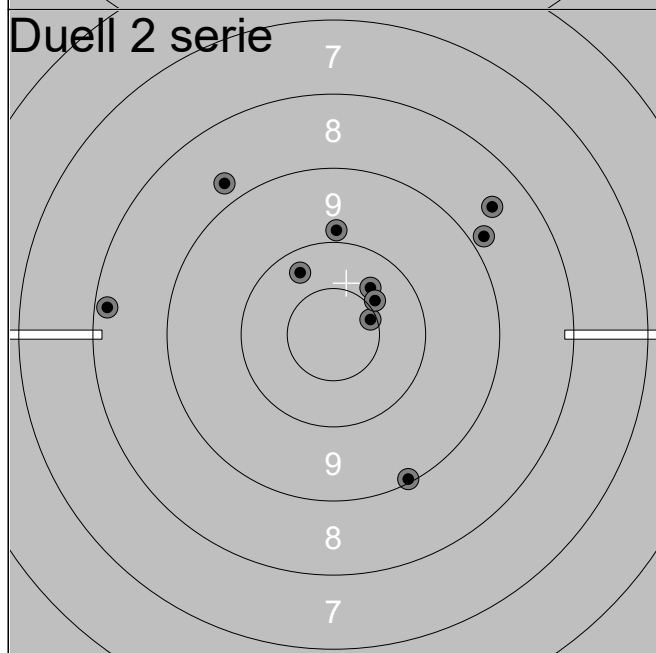


2.39s	10.5x	↘
2.64s	9.7	↖
2.29s	10.3	↑
2.57s	10.5x	↗
2.13s	9.4	↗
2.37s	9.7	↑
2.49s	9.2	↘
2.42s	9.5	→
1.99s	8.4	→
2.46s	9.8	↑
Serie	92 (2x)	
Total	526 (4x)	



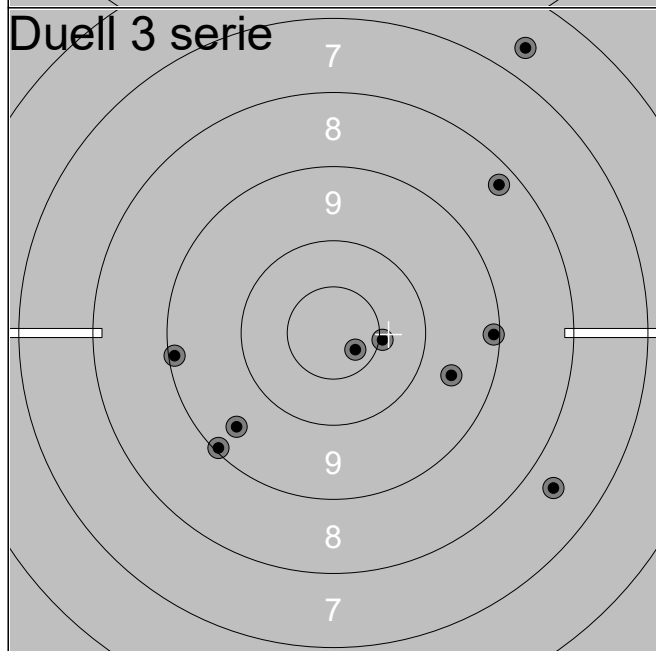
2.24s	10.6x	↗
2.54s	8.8	↑
2.46s	10.7x	→
2.36s	10.3	↗
2.63s	9.6	↘
2.36s	8.3	←
2.31s	10.2	↖
2.34s	8.8	↑
2.44s	9.8	↗
2.41s	10.7x	→

Serie	92 (3x)
Total	343 (3x)



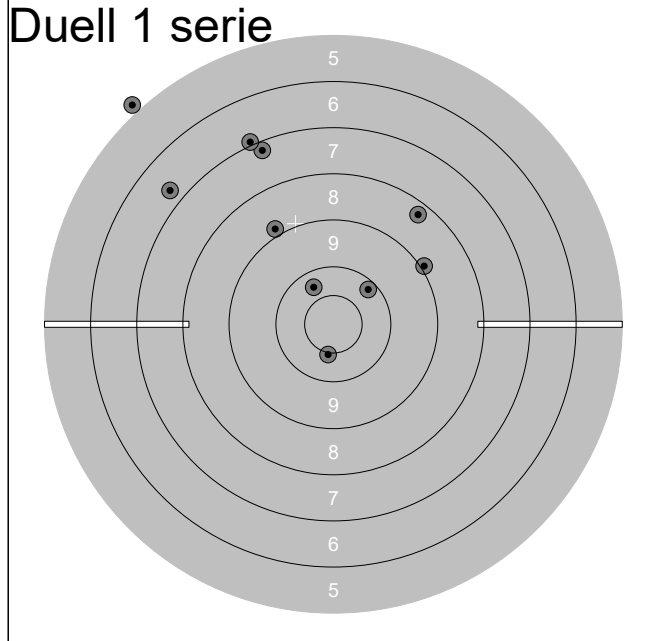
2.57s	9.1	↘
2.40s	8.8	↖
2.58s	9.9	↑
2.33s	10.5x	→
2.59s	8.5	↗
2.46s	8.2	←
2.39s	10.3	↗
2.71s	8.8	↗
2.38s	10.2	↖
2.74s	10.4	↗

Serie	90 (1x)
Total	433 (4x)

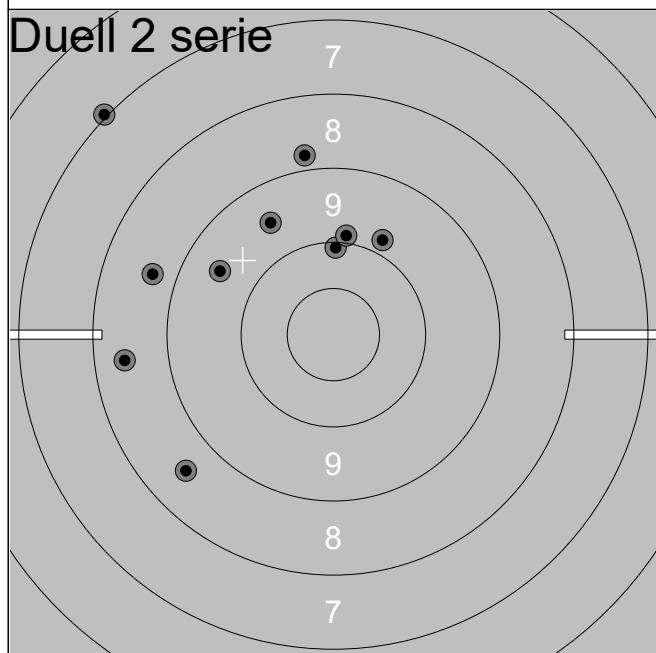


2.62s	9.1	←
2.63s	7.6	↘
2.50s	10.4x	→
2.50s	10.7x	↘
2.67s	9.1	↙
2.66s	9.6	→
2.58s	8.3	↗
2.72s	9.4	↙
2.70s	9.1	→
2.63s	6.6	↗

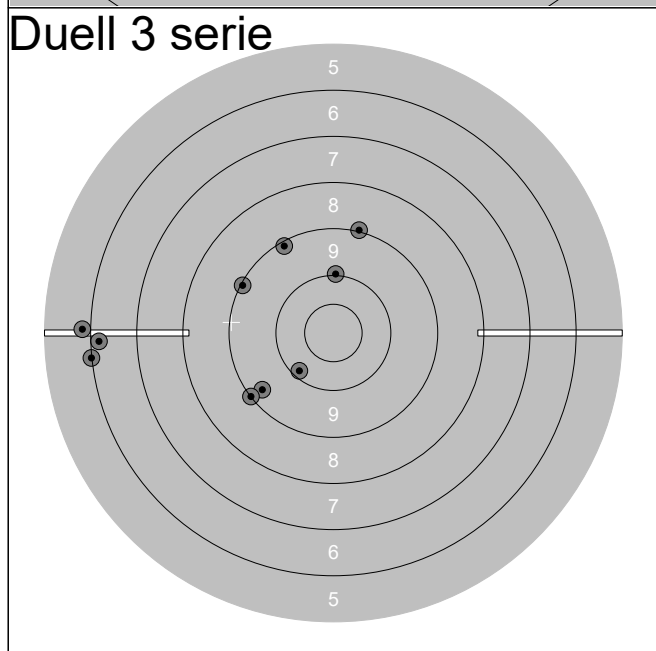
Serie	86 (2x)
Total	519 (6x)



2.50s	8.9	↗
2.59s	10.4x	↓
2.27s	6.7	↖
2.75s	7.2	↑
2.29s	10.1	↗
2.52s	8.9	↗
2.34s	8.3	↗
2.18s	10.3	↑
2.04s	6.9	↑
2.00s	0.0	↖
Serie		73 (1x)
Total		321 (1x)

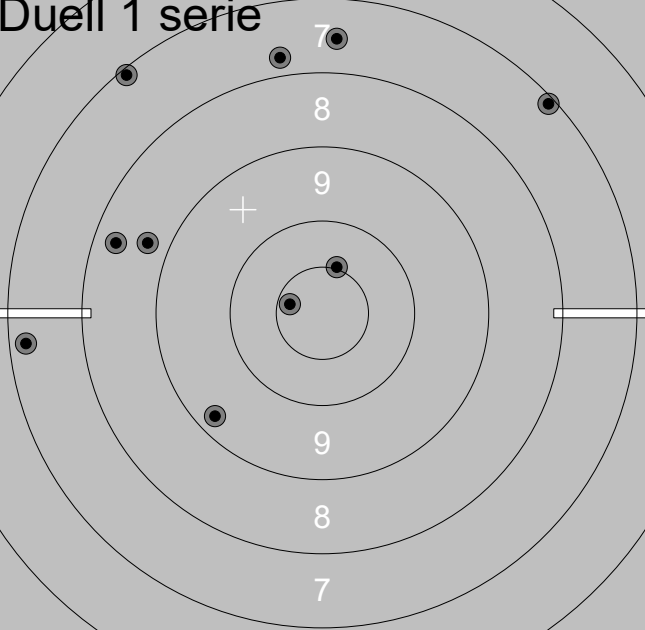
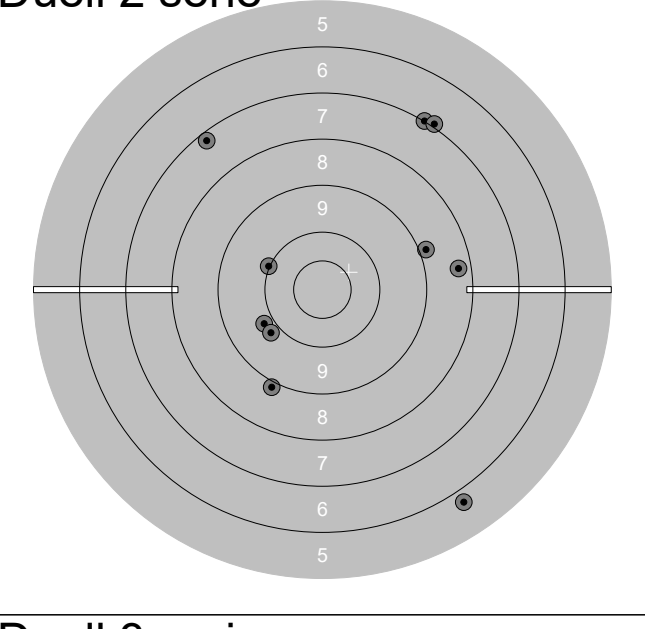
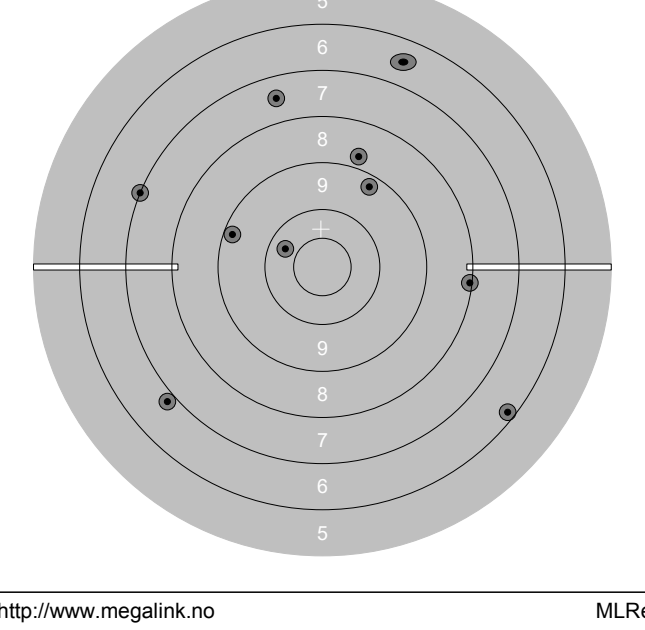


2.31s	9.5	↖
2.39s	10.1	↑
2.27s	9.5	↖
2.40s	8.8	↑
2.58s	8.7	↖
2.43s	9.9	↑
2.65s	7.0	↖
2.25s	9.8	↗
2.31s	8.4	↖
2.04s	8.6	↘
Serie		85 (0x)
Total		406 (1x)

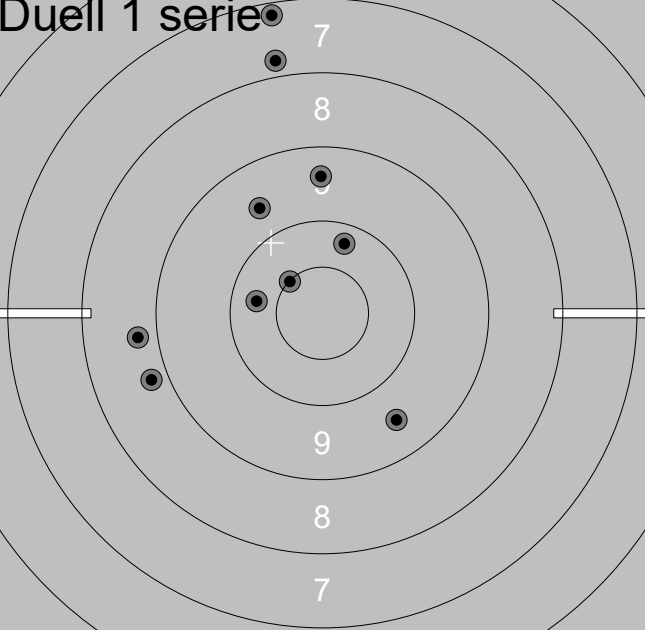
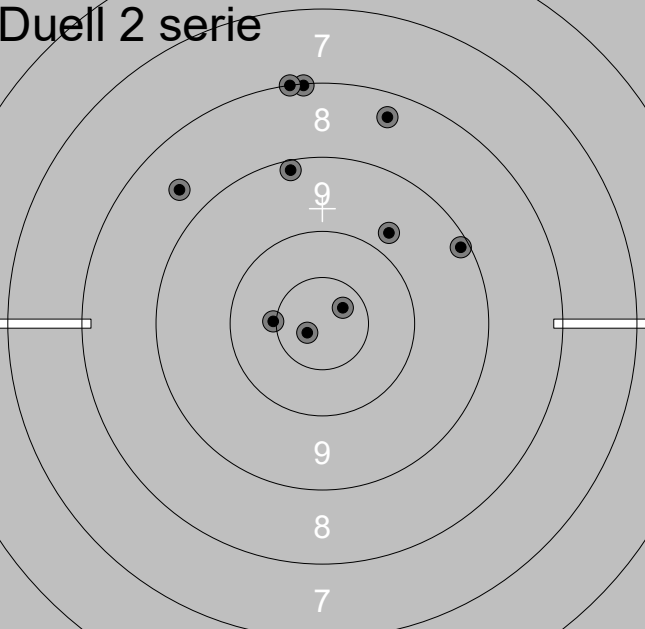
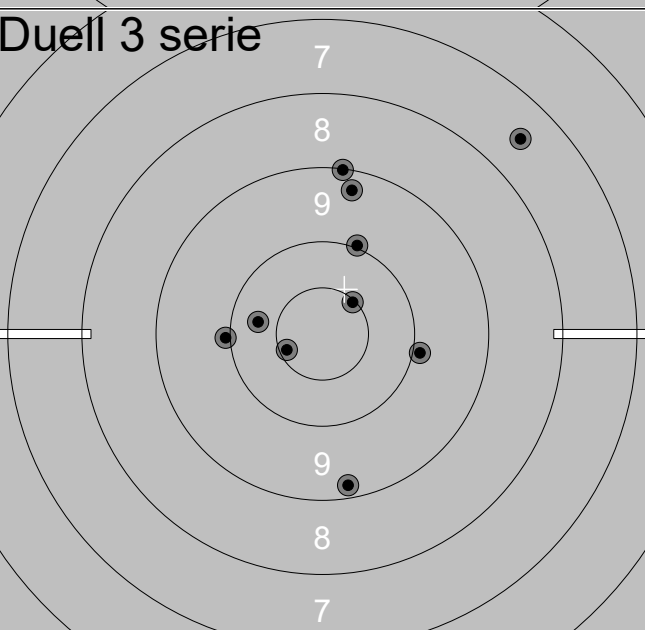


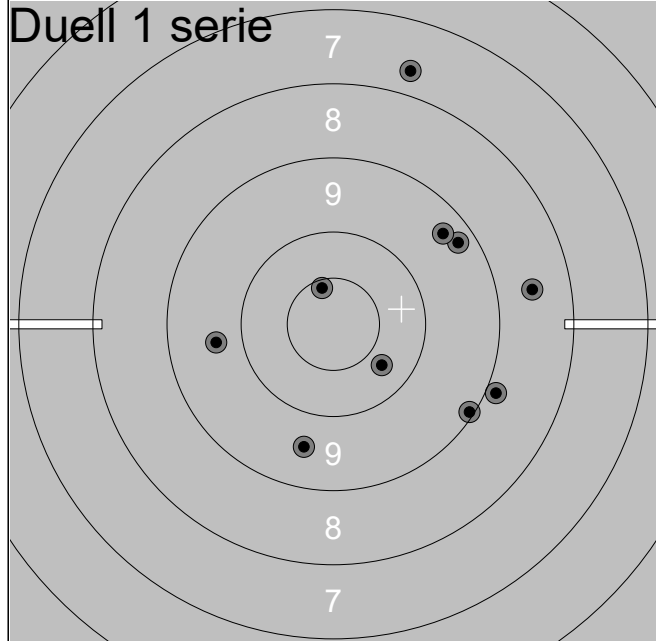
2.59s	9.0	↖
2.36s	5.8	↖
2.19s	9.0	↑
2.16s	10.0	↑
2.14s	9.1	↖
2.24s	9.3	↖
2.40s	9.0	↖
2.29s	10.1	↘
2.14s	6.2	↖
2.27s	6.0	↖
Serie		82 (0x)
Total		488 (1x)

23.06.2019	NM bane 2019	NM Pistol 2019
------------	--------------	----------------

Duell 1 serie 	<table style="width:100%; border-collapse: collapse;"> <tr><td style="text-align: right;">1.94s</td><td style="text-align: right;">7.8</td><td style="text-align: center;">↑</td></tr> <tr><td style="text-align: right;">2.08s</td><td style="text-align: right;">10.6x</td><td style="text-align: center;">←</td></tr> <tr><td style="text-align: right;">2.54s</td><td style="text-align: right;">7.2</td><td style="text-align: center;">←</td></tr> <tr><td style="text-align: right;">2.43s</td><td style="text-align: right;">7.1</td><td style="text-align: center;">↗</td></tr> <tr><td style="text-align: right;">2.69s</td><td style="text-align: right;">7.5</td><td style="text-align: center;">↑</td></tr> <tr><td style="text-align: right;">2.50s</td><td style="text-align: right;">9.3</td><td style="text-align: center;">↙</td></tr> <tr><td style="text-align: right;">2.44s</td><td style="text-align: right;">8.7</td><td style="text-align: center;">←</td></tr> <tr><td style="text-align: right;">2.22s</td><td style="text-align: right;">8.3</td><td style="text-align: center;">←</td></tr> <tr><td style="text-align: right;">2.12s</td><td style="text-align: right;">10.5x</td><td style="text-align: center;">↑</td></tr> <tr><td style="text-align: right;">2.12s</td><td style="text-align: right;">7.1</td><td style="text-align: center;">↗</td></tr> <tr><td colspan="2">Serie</td><td style="text-align: right;">80 (2x)</td></tr> <tr><td colspan="2">Total</td><td style="text-align: right;">326 (2x)</td></tr> </table>	1.94s	7.8	↑	2.08s	10.6x	←	2.54s	7.2	←	2.43s	7.1	↗	2.69s	7.5	↑	2.50s	9.3	↙	2.44s	8.7	←	2.22s	8.3	←	2.12s	10.5x	↑	2.12s	7.1	↗	Serie		80 (2x)	Total		326 (2x)
1.94s	7.8	↑																																			
2.08s	10.6x	←																																			
2.54s	7.2	←																																			
2.43s	7.1	↗																																			
2.69s	7.5	↑																																			
2.50s	9.3	↙																																			
2.44s	8.7	←																																			
2.22s	8.3	←																																			
2.12s	10.5x	↑																																			
2.12s	7.1	↗																																			
Serie		80 (2x)																																			
Total		326 (2x)																																			
Duell 2 serie 	<table style="width:100%; border-collapse: collapse;"> <tr><td style="text-align: right;">2.44s</td><td style="text-align: right;">9.8</td><td style="text-align: center;">←</td></tr> <tr><td style="text-align: right;">2.37s</td><td style="text-align: right;">7.0</td><td style="text-align: center;">↗</td></tr> <tr><td style="text-align: right;">2.18s</td><td style="text-align: right;">10.0</td><td style="text-align: center;">←</td></tr> <tr><td style="text-align: right;">2.29s</td><td style="text-align: right;">8.3</td><td style="text-align: center;">→</td></tr> <tr><td style="text-align: right;">2.27s</td><td style="text-align: right;">6.9</td><td style="text-align: center;">↗</td></tr> <tr><td style="text-align: right;">2.57s</td><td style="text-align: right;">8.9</td><td style="text-align: center;">→</td></tr> <tr><td style="text-align: right;">2.80s</td><td style="text-align: right;">9.8</td><td style="text-align: center;">←</td></tr> <tr><td style="text-align: right;">2.75s</td><td style="text-align: right;">5.7</td><td style="text-align: center;">↓</td></tr> <tr><td style="text-align: right;">2.19s</td><td style="text-align: right;">8.9</td><td style="text-align: center;">↓</td></tr> <tr><td style="text-align: right;">2.56s</td><td style="text-align: right;">7.2</td><td style="text-align: center;">↗</td></tr> <tr><td colspan="2">Serie</td><td style="text-align: right;">77 (0x)</td></tr> <tr><td colspan="2">Total</td><td style="text-align: right;">403 (2x)</td></tr> </table>	2.44s	9.8	←	2.37s	7.0	↗	2.18s	10.0	←	2.29s	8.3	→	2.27s	6.9	↗	2.57s	8.9	→	2.80s	9.8	←	2.75s	5.7	↓	2.19s	8.9	↓	2.56s	7.2	↗	Serie		77 (0x)	Total		403 (2x)
2.44s	9.8	←																																			
2.37s	7.0	↗																																			
2.18s	10.0	←																																			
2.29s	8.3	→																																			
2.27s	6.9	↗																																			
2.57s	8.9	→																																			
2.80s	9.8	←																																			
2.75s	5.7	↓																																			
2.19s	8.9	↓																																			
2.56s	7.2	↗																																			
Serie		77 (0x)																																			
Total		403 (2x)																																			
Duell 3 serie 	<table style="width:100%; border-collapse: collapse;"> <tr><td style="text-align: right;">2.25s</td><td style="text-align: right;">8.1</td><td style="text-align: center;">→</td></tr> <tr><td style="text-align: right;">2.70s</td><td style="text-align: right;">7.0</td><td style="text-align: center;">←</td></tr> <tr><td style="text-align: right;">2.94s</td><td style="text-align: right;">7.5</td><td style="text-align: center;">↑</td></tr> <tr><td style="text-align: right;">2.14s</td><td style="text-align: right;">6.2</td><td style="text-align: center;">↘</td></tr> <tr><td style="text-align: right;">2.41s</td><td style="text-align: right;">9.3</td><td style="text-align: center;">↗</td></tr> <tr><td style="text-align: right;">2.37s</td><td style="text-align: right;">10.3</td><td style="text-align: center;">←</td></tr> <tr><td style="text-align: right;">2.46s</td><td style="text-align: right;">9.2</td><td style="text-align: center;">←</td></tr> <tr><td style="text-align: right;">2.14s</td><td style="text-align: right;">8.8</td><td style="text-align: center;">↑</td></tr> <tr><td style="text-align: right;">0.05s</td><td style="text-align: center;">✂</td><td></td></tr> <tr><td style="text-align: right;">2.25s</td><td style="text-align: right;">6.8</td><td style="text-align: center;">↙</td></tr> <tr><td colspan="2">Serie</td><td style="text-align: right;">70 (0x)</td></tr> <tr><td colspan="2">Total</td><td style="text-align: right;">473 (2x)</td></tr> </table>	2.25s	8.1	→	2.70s	7.0	←	2.94s	7.5	↑	2.14s	6.2	↘	2.41s	9.3	↗	2.37s	10.3	←	2.46s	9.2	←	2.14s	8.8	↑	0.05s	✂		2.25s	6.8	↙	Serie		70 (0x)	Total		473 (2x)
2.25s	8.1	→																																			
2.70s	7.0	←																																			
2.94s	7.5	↑																																			
2.14s	6.2	↘																																			
2.41s	9.3	↗																																			
2.37s	10.3	←																																			
2.46s	9.2	←																																			
2.14s	8.8	↑																																			
0.05s	✂																																				
2.25s	6.8	↙																																			
Serie		70 (0x)																																			
Total		473 (2x)																																			

23.06.2019	NM bane 2019	NM Pistol 2019
------------	--------------	----------------

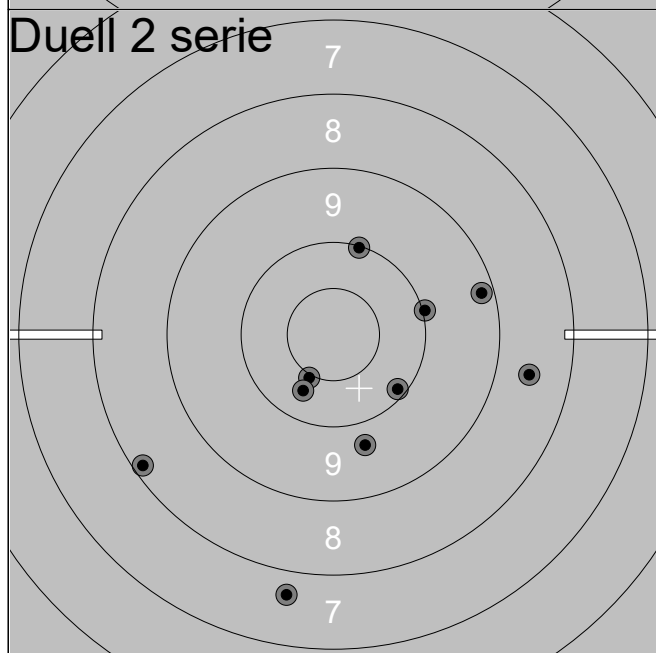
Duell 1 serie 	<table style="width:100%; border-collapse: collapse;"> <tr><td style="text-align: right;">2.40s</td><td style="text-align: right;">7.2</td><td style="text-align: center;">↑</td></tr> <tr><td style="text-align: right;">2.74s</td><td style="text-align: right;">8.8</td><td style="text-align: center;">←</td></tr> <tr><td style="text-align: right;">2.63s</td><td style="text-align: right;">10.5x</td><td style="text-align: center;">↗</td></tr> <tr><td style="text-align: right;">2.73s</td><td style="text-align: right;">9.5</td><td style="text-align: center;">↘</td></tr> <tr><td style="text-align: right;">2.76s</td><td style="text-align: right;">9.6</td><td style="text-align: center;">↗</td></tr> <tr><td style="text-align: right;">2.74s</td><td style="text-align: right;">9.4</td><td style="text-align: center;">↑</td></tr> <tr><td style="text-align: right;">2.52s</td><td style="text-align: right;">10.2</td><td style="text-align: center;">↑</td></tr> <tr><td style="text-align: right;">2.65s</td><td style="text-align: right;">7.8</td><td style="text-align: center;">↑</td></tr> <tr><td style="text-align: right;">2.58s</td><td style="text-align: right;">8.8</td><td style="text-align: center;">←</td></tr> <tr><td style="text-align: right;">2.75s</td><td style="text-align: right;">10.3</td><td style="text-align: center;">←</td></tr> <tr><td colspan="2">Serie</td><td style="text-align: right;">87 (1x)</td></tr> <tr><td colspan="2">Total</td><td style="text-align: right;">332 (1x)</td></tr> </table>	2.40s	7.2	↑	2.74s	8.8	←	2.63s	10.5x	↗	2.73s	9.5	↘	2.76s	9.6	↗	2.74s	9.4	↑	2.52s	10.2	↑	2.65s	7.8	↑	2.58s	8.8	←	2.75s	10.3	←	Serie		87 (1x)	Total		332 (1x)
2.40s	7.2	↑																																			
2.74s	8.8	←																																			
2.63s	10.5x	↗																																			
2.73s	9.5	↘																																			
2.76s	9.6	↗																																			
2.74s	9.4	↑																																			
2.52s	10.2	↑																																			
2.65s	7.8	↑																																			
2.58s	8.8	←																																			
2.75s	10.3	←																																			
Serie		87 (1x)																																			
Total		332 (1x)																																			
Duell 2 serie 	<table style="width:100%; border-collapse: collapse;"> <tr><td style="text-align: right;">2.52s</td><td style="text-align: right;">8.0</td><td style="text-align: center;">↑</td></tr> <tr><td style="text-align: right;">2.72s</td><td style="text-align: right;">9.2</td><td style="text-align: center;">↑</td></tr> <tr><td style="text-align: right;">2.68s</td><td style="text-align: right;">8.6</td><td style="text-align: center;">↖</td></tr> <tr><td style="text-align: right;">2.72s</td><td style="text-align: right;">10.7x</td><td style="text-align: center;">↗</td></tr> <tr><td style="text-align: right;">2.75s</td><td style="text-align: right;">10.8x</td><td style="text-align: center;">←</td></tr> <tr><td style="text-align: right;">2.67s</td><td style="text-align: right;">9.7</td><td style="text-align: center;">↗</td></tr> <tr><td style="text-align: right;">2.73s</td><td style="text-align: right;">8.3</td><td style="text-align: center;">↑</td></tr> <tr><td style="text-align: right;">2.66s</td><td style="text-align: right;">9.1</td><td style="text-align: center;">↗</td></tr> <tr><td style="text-align: right;">2.77s</td><td style="text-align: right;">10.4x</td><td style="text-align: center;">←</td></tr> <tr><td style="text-align: right;">2.72s</td><td style="text-align: right;">8.0</td><td style="text-align: center;">↑</td></tr> <tr><td colspan="2">Serie</td><td style="text-align: right;">89 (3x)</td></tr> <tr><td colspan="2">Total</td><td style="text-align: right;">421 (4x)</td></tr> </table>	2.52s	8.0	↑	2.72s	9.2	↑	2.68s	8.6	↖	2.72s	10.7x	↗	2.75s	10.8x	←	2.67s	9.7	↗	2.73s	8.3	↑	2.66s	9.1	↗	2.77s	10.4x	←	2.72s	8.0	↑	Serie		89 (3x)	Total		421 (4x)
2.52s	8.0	↑																																			
2.72s	9.2	↑																																			
2.68s	8.6	↖																																			
2.72s	10.7x	↗																																			
2.75s	10.8x	←																																			
2.67s	9.7	↗																																			
2.73s	8.3	↑																																			
2.66s	9.1	↗																																			
2.77s	10.4x	←																																			
2.72s	8.0	↑																																			
Serie		89 (3x)																																			
Total		421 (4x)																																			
Duell 3 serie 	<table style="width:100%; border-collapse: collapse;"> <tr><td style="text-align: right;">2.71s</td><td style="text-align: right;">7.5</td><td style="text-align: center;">↗</td></tr> <tr><td style="text-align: right;">2.75s</td><td style="text-align: right;">9.0</td><td style="text-align: center;">↑</td></tr> <tr><td style="text-align: right;">2.82s</td><td style="text-align: right;">9.3</td><td style="text-align: center;">↑</td></tr> <tr><td style="text-align: right;">2.75s</td><td style="text-align: right;">9.9</td><td style="text-align: center;">→</td></tr> <tr><td style="text-align: right;">2.69s</td><td style="text-align: right;">10.3</td><td style="text-align: center;">←</td></tr> <tr><td style="text-align: right;">2.52s</td><td style="text-align: right;">10.0</td><td style="text-align: center;">↑</td></tr> <tr><td style="text-align: right;">2.61s</td><td style="text-align: right;">9.2</td><td style="text-align: center;">↓</td></tr> <tr><td style="text-align: right;">2.49s</td><td style="text-align: right;">10.6x</td><td style="text-align: center;">←</td></tr> <tr><td style="text-align: right;">2.79s</td><td style="text-align: right;">10.0</td><td style="text-align: center;">←</td></tr> <tr><td style="text-align: right;">2.85s</td><td style="text-align: right;">10.5x</td><td style="text-align: center;">↗</td></tr> <tr><td colspan="2">Serie</td><td style="text-align: right;">93 (2x)</td></tr> <tr><td colspan="2">Total</td><td style="text-align: right;">514 (6x)</td></tr> </table>	2.71s	7.5	↗	2.75s	9.0	↑	2.82s	9.3	↑	2.75s	9.9	→	2.69s	10.3	←	2.52s	10.0	↑	2.61s	9.2	↓	2.49s	10.6x	←	2.79s	10.0	←	2.85s	10.5x	↗	Serie		93 (2x)	Total		514 (6x)
2.71s	7.5	↗																																			
2.75s	9.0	↑																																			
2.82s	9.3	↑																																			
2.75s	9.9	→																																			
2.69s	10.3	←																																			
2.52s	10.0	↑																																			
2.61s	9.2	↓																																			
2.49s	10.6x	←																																			
2.79s	10.0	←																																			
2.85s	10.5x	↗																																			
Serie		93 (2x)																																			
Total		514 (6x)																																			



2.42s	8.9	→
2.22s	9.1	↘
2.50s	9.7	←
2.81s	10.6x	↑
2.72s	9.3	↗
2.25s	7.7	↑
2.52s	9.3	↗
2.59s	9.6	↓
2.48s	8.5	→
2.35s	10.3	↘

Serie	88 (1x)
--------------	-----------------

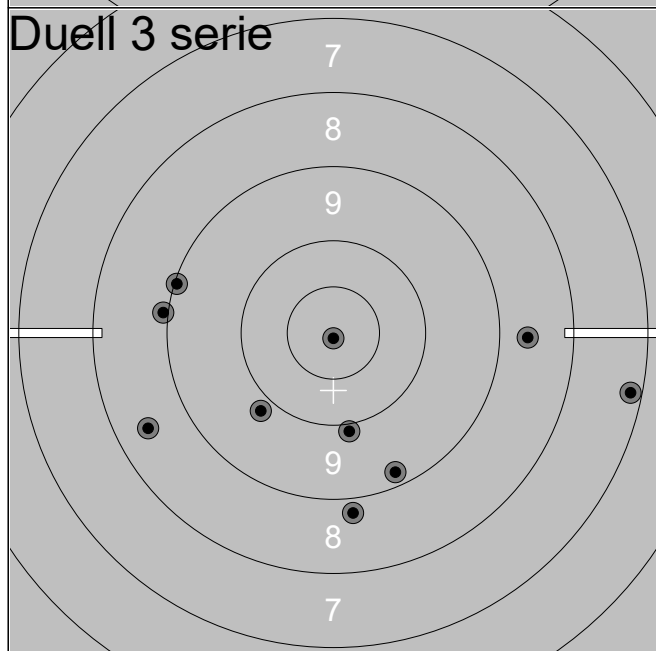
Total	332 (1x)
--------------	------------------



2.45s	9.7	↓
2.54s	10.4x	↘
2.60s	10.0	→
2.65s	10.1	↘
2.54s	9.2	→
2.52s	7.7	↓
2.65s	8.1	↙
2.76s	8.6	→
2.65s	10.0	↑
2.56s	10.3	↘

Serie	91 (1x)
--------------	-----------------

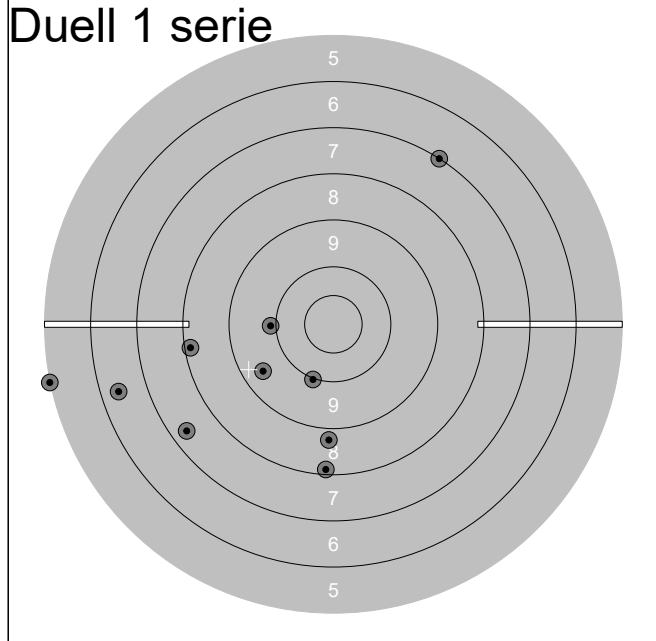
Total	423 (2x)
--------------	------------------



2.44s	9.0	←
2.47s	10.9x	↓
2.60s	9.8	↙
2.68s	8.5	↙
2.84s	9.0	←
2.59s	9.9	↓
2.60s	7.2	→
2.61s	8.6	→
2.45s	8.8	↓
2.58s	9.2	↘

Serie	86 (1x)
--------------	-----------------

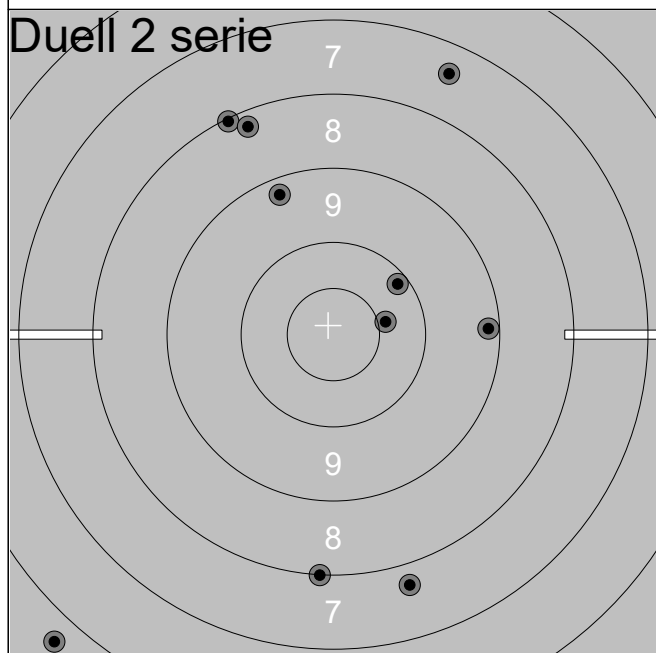
Total	509 (3x)
--------------	------------------



2.48s	9.9	←
2.57s	7.0	↗
2.54s	7.3	↙
2.04s	8.8	↓
2.36s	6.4	←
2.59s	9.4	↙
2.49s	10.0	↓
2.54s	8.1	←
2.27s	5.0	←
2.29s	8.1	↓

Serie 77 (0x)

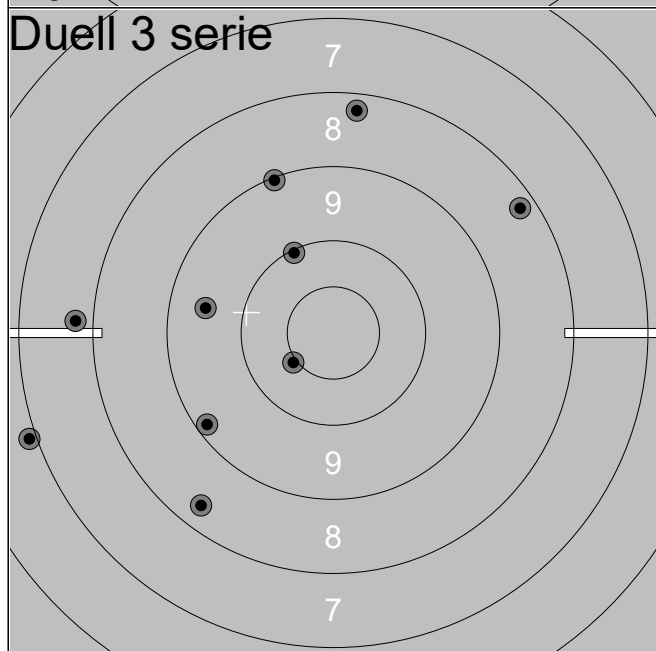
Total 319 (0x)



2.22s	8.1	↖
2.48s	9.2	↖
2.49s	10.4	→
2.50s	8.0	↓
2.59s	9.2	→
2.31s	8.2	↖
2.68s	7.7	↓
2.64s	7.4	↗
2.87s	10.1	↗
2.52s	5.7	↙

Serie 81 (0x)

Total 400 (0x)



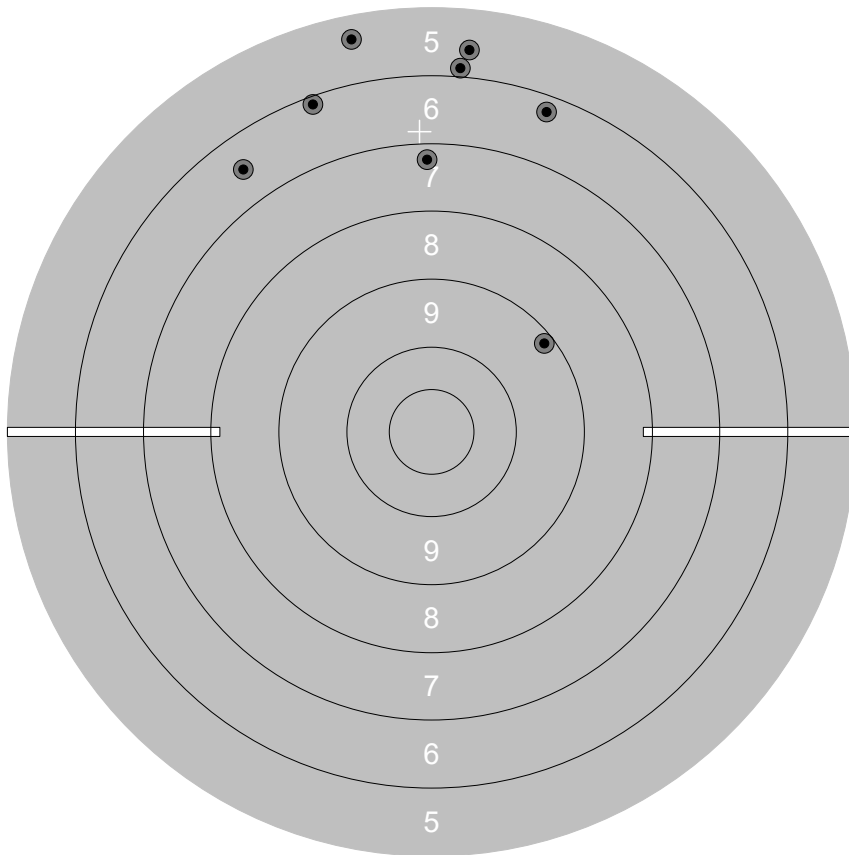
2.36s	7.8	←
2.73s	9.1	↖
2.36s	10.0	↖
2.48s	8.3	↙
2.54s	8.2	↗
2.64s	10.4x	↙
2.69s	9.5	←
2.29s	8.2	↑
2.24s	6.9	←
2.50s	9.2	↙

Serie 84 (1x)

Total 484 (1x)

Lag 1	Skive 27	Ane Bjørkås Torgersen	
Finpistol Duell		Sola Pk	U
23.06.2019		NM bane 2019	NM Pistol 2019
DNF			

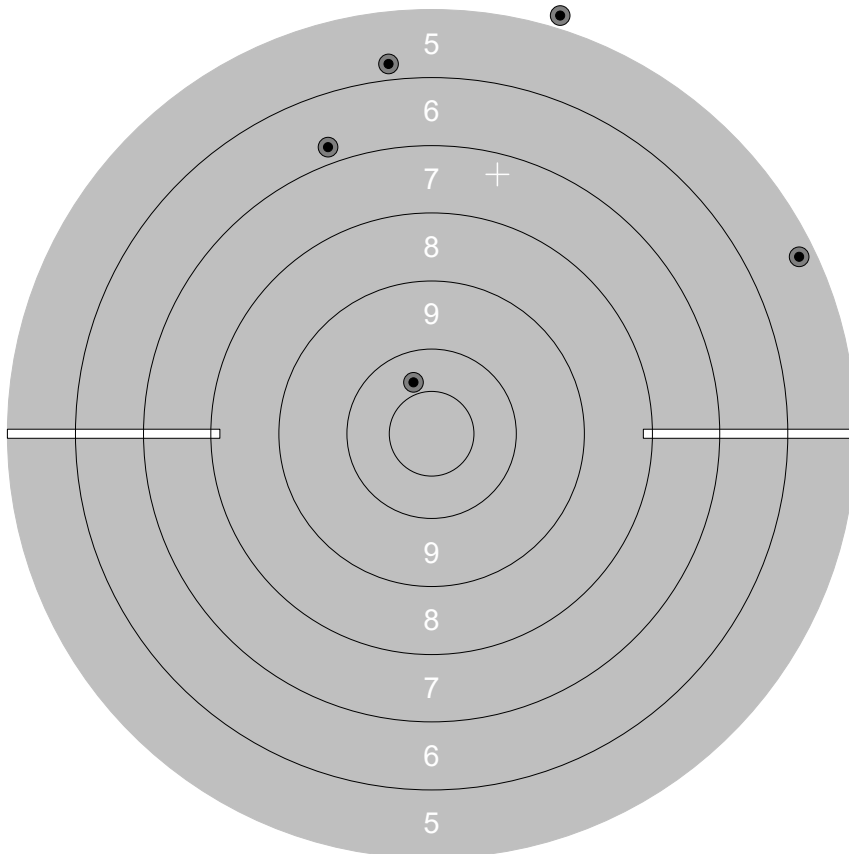
Duell 1 serie



1.86s	☒	
2.14s	6.5	↗
2.09s	5.4	↑
2.13s	9.2	↗
2.24s	6.1	↑
2.12s	7.3	↑
2.38s	5.6	↑
	--	
2.40s	6.3	↗
2.41s	5.9	↑

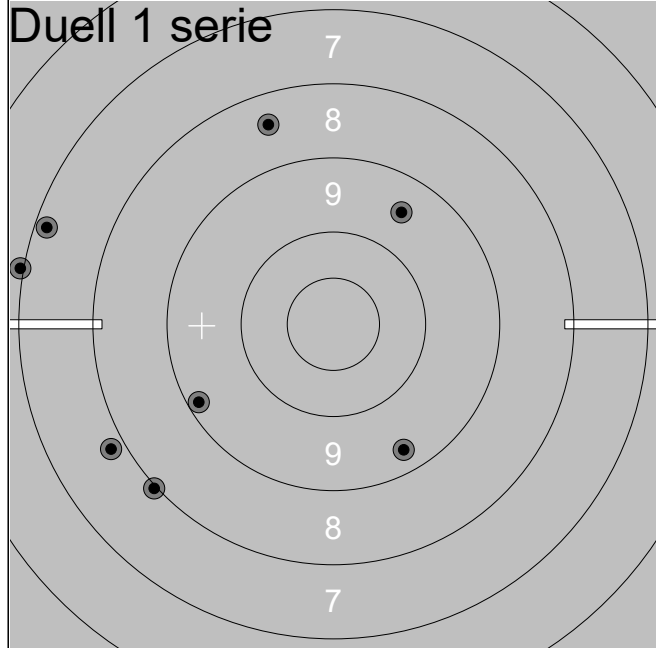
Serie	49 (0x)
Total	290 (0x)

Duell 2 serie



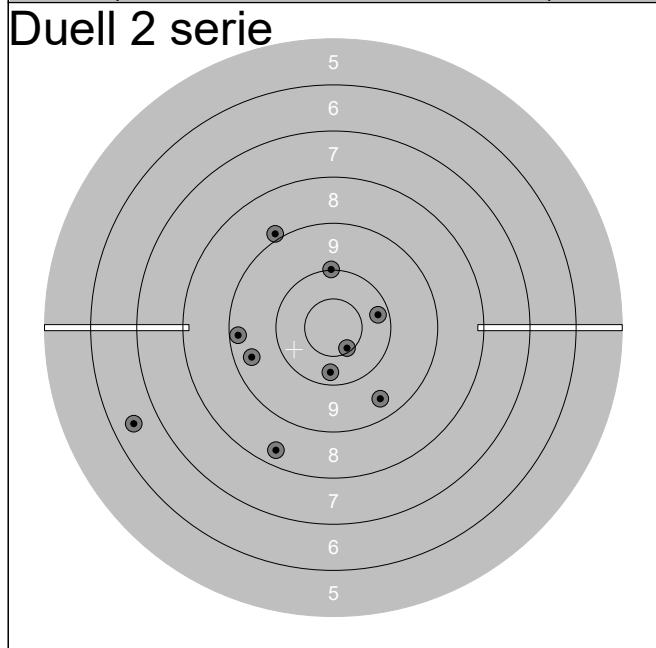
2.56s	0.0	↗
2.14s	5.8	↑
2.50s	6.8	↑
2.31s	5.3	↗
2.91s	10.3	↑

Serie	26 (0x)
Total	316 (0x)



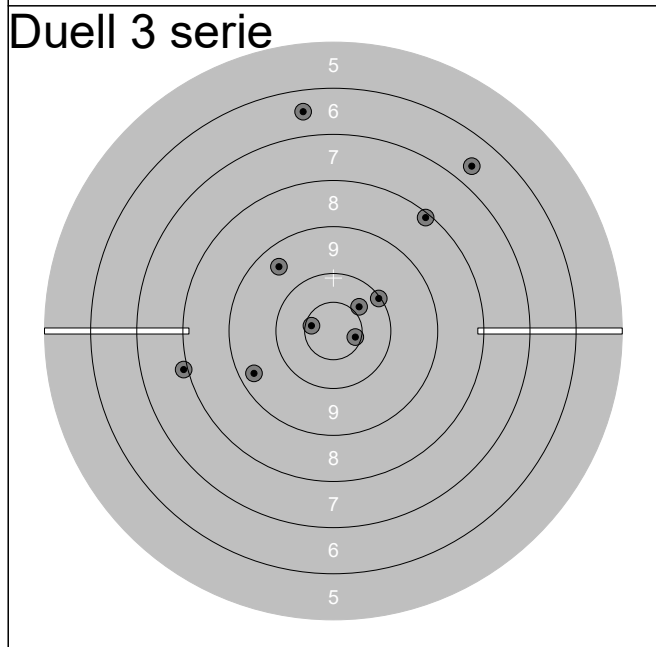
1.98s	☐				
1.81s	7.8			↙	
1.59s	7.2			↙	
1.88s	9.2			↙	
1.94s	9.5			↗	
2.38s	9.3			↘	
1.80s	8.0			↙	
1.95s	8.4			↗	
	--				
1.81s	7.0			↙	

Serie	64 (0x)
Total	302 (0x)



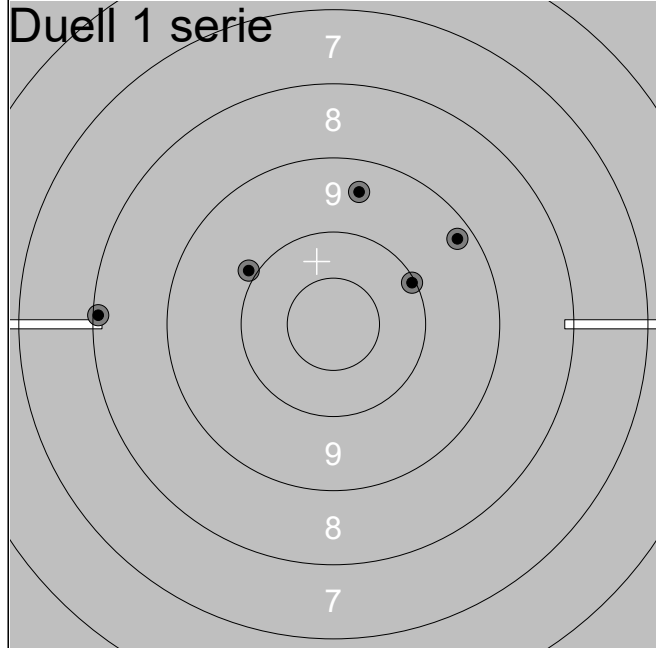
2.20s	8.9				↗
2.00s	6.5			↙	
1.85s	9.2			↙	
1.99s	10.2			↘	
1.97s	10.5x			↘	
2.48s	10.2			→	
2.25s	9.4			↙	
1.94s	9.4			↘	
2.00s	8.3			↘	
1.98s	10.0			↑	

Serie	89 (1x)
Total	391 (1x)

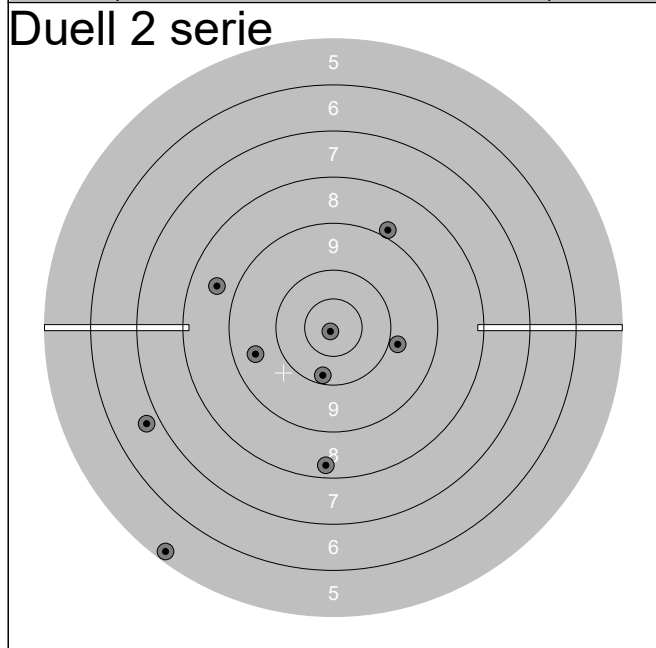


2.29s	6.5				↑
2.31s	6.6			↗	
2.14s	10.6x			→	
1.88s	7.9			↙	
1.99s	9.5			↖	
2.50s	10.0			↗	
1.89s	10.4			↗	
2.04s	10.6x			↙	
2.29s	8.1			↗	
1.86s	9.3			↙	

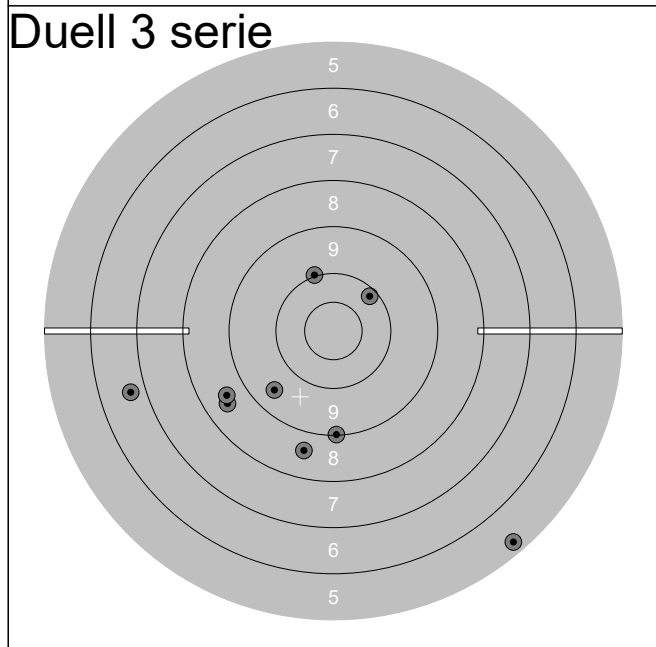
Serie	85 (2x)
Total	476 (3x)



2.71s	10.0	↗
2.66s	☐	
2.64s	9.2	↗
2.48s	☐	
	--	
2.78s	9.4	↑
2.52s	☐	
2.54s	☐	
2.65s	8.1	←
2.64s	9.9	↖
Serie		45 (0x)
Total		271 (0x)



2.76s	8.9	↑
2.75s	6.7	←
2.72s	9.8	→
2.62s	8.3	↓
2.25s	☐	
2.85s	9.5	←
2.77s	10.9x	↘
2.54s	10.2	↓
2.63s	5.2	↘
2.59s	8.6	↖
Serie		73 (1x)
Total		344 (1x)

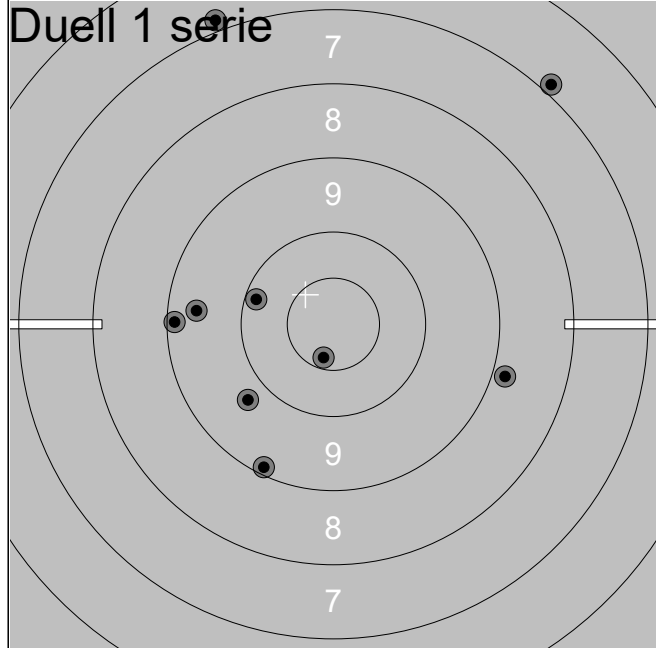


2.66s	6.7	←
2.58s	8.6	↓
2.54s	10.1	↗
2.96s	☐	
2.36s	10.0	↑
2.97s	8.5	←
2.61s	8.6	←
2.50s	9.0	↓
2.70s	5.3	↘
2.69s	9.5	↘
Serie		73 (0x)
Total		417 (1x)

Lag 1	Skive 30	Martin Johannessen
-----------------	--------------------	---------------------------

Finpistol Duell	Hafersfjord Pk	SH1
-----------------	----------------	-----

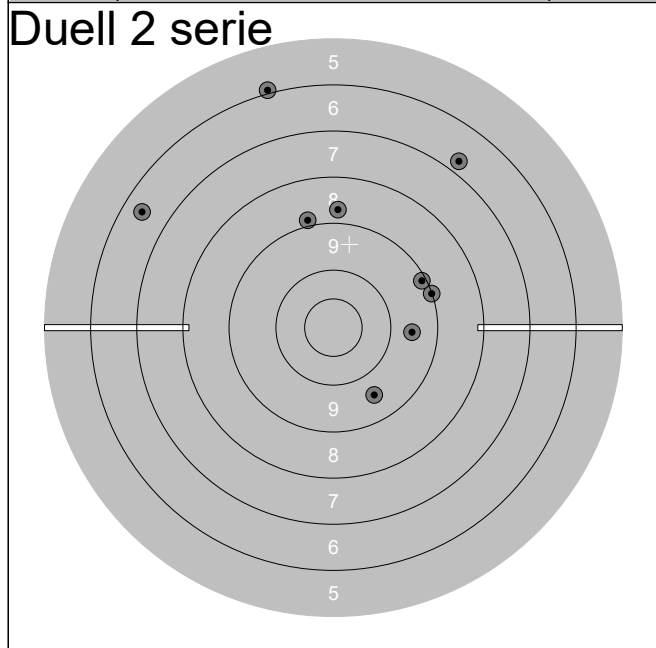
23.06.2019	NM bane 2019	NM Pistol 2019
------------	--------------	----------------



1.71s	9.1	↘
1.42s	8.8	→
1.47s	9.4	←
0.87s	9.1	←
0.69s	10.1	←
2.38s	6.9	↑
2.49s	☒	
2.41s	9.7	↙
2.38s	10.6x	↘
2.22s	6.9	↗

Serie	76 (1x)
-------	----------

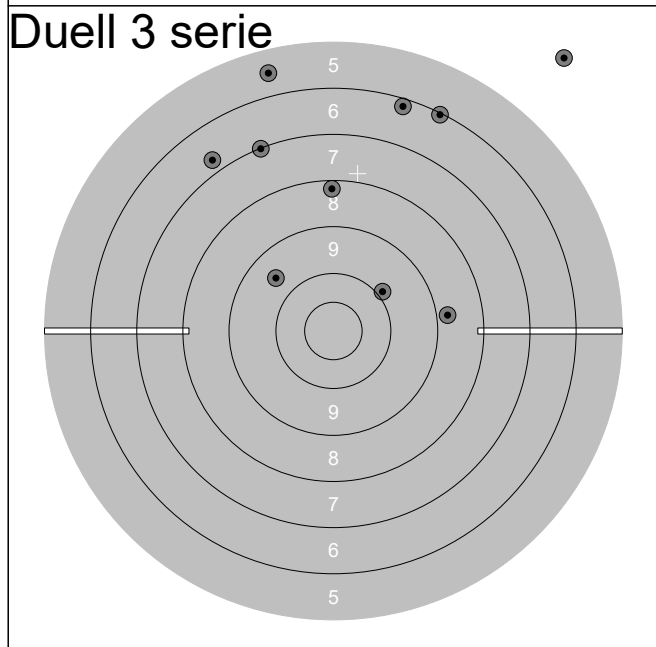
Total	292 (1x)
-------	-----------



2.33s	5.9	↑
2.27s	6.4	↖
2.44s	9.0	→
2.33s	8.9	↑
2.16s	☒	
2.35s	9.6	↘
2.11s	9.1	↗
2.11s	8.7	↑
2.31s	9.6	→
2.39s	6.8	↗

Serie	69 (0x)
-------	----------

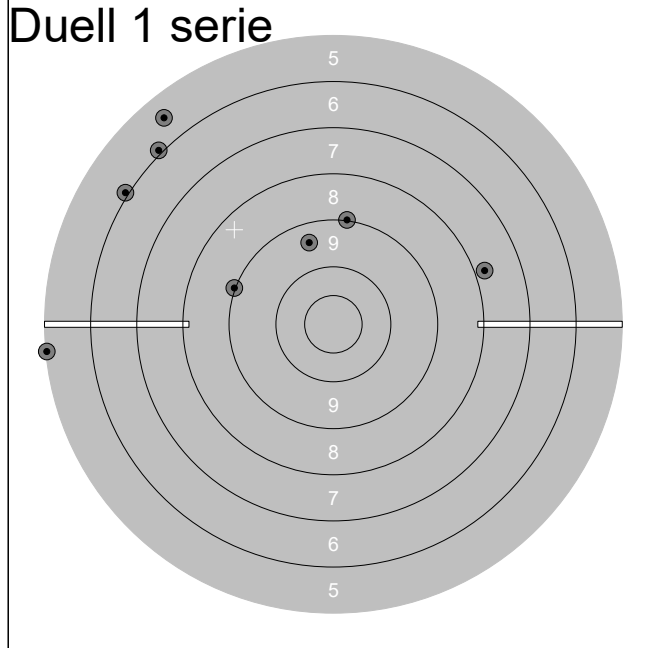
Total	361 (1x)
-------	-----------



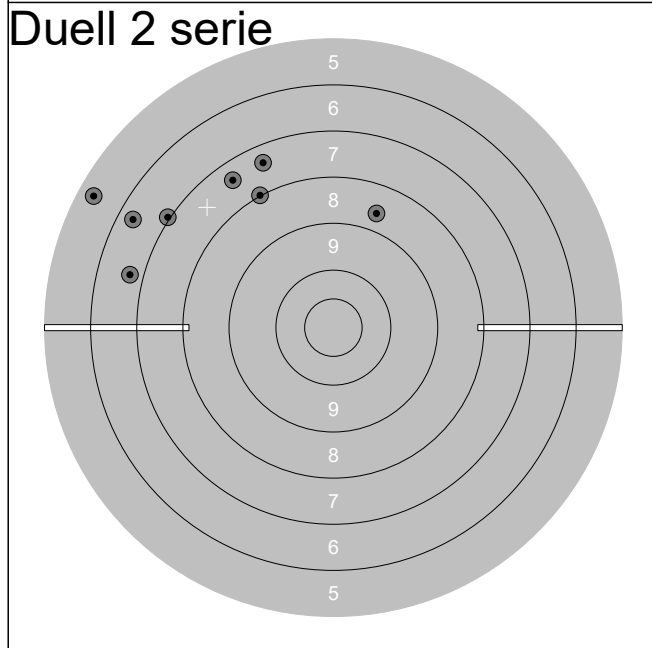
2.44s	6.7	↖
2.58s	8.2	↑
2.29s	0.0	↗
2.33s	9.6	↖
2.35s	8.8	→
2.37s	7.0	↑
2.84s	5.5	↑
2.44s	6.0	↗
2.36s	9.9	↗
2.42s	6.2	↑

Serie	64 (0x)
-------	----------

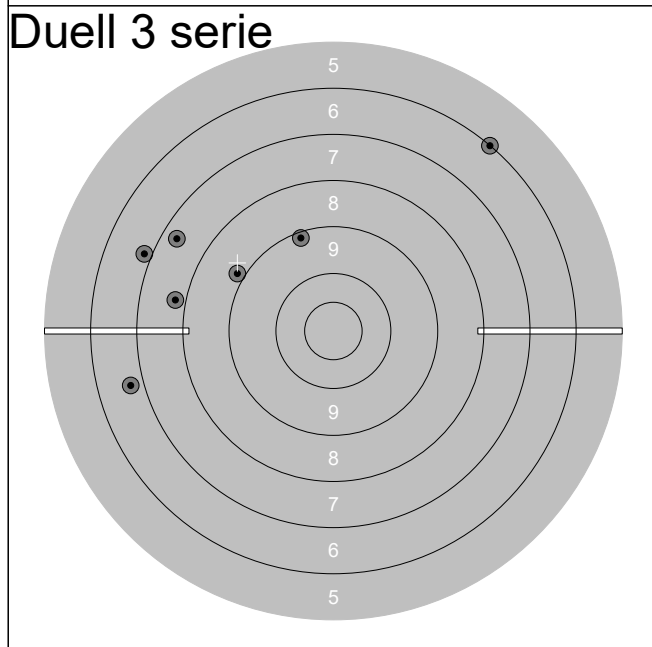
Total	425 (1x)
-------	-----------



2.44s	7.8	➔
2.50s	9.0	↑
2.24s	9.0	➔
2.36s	5.9	➔
2.65s	5.0	➔
2.58s	☐	
2.92s	☐	
2.17s	5.9	➔
1.66s	9.4	↑
1.93s	5.5	➔
Serie		54 (0x)
Total		258 (0x)



2.50s	☐	
2.23s	5.3	➔
2.33s	6.3	➔
2.27s	7.0	➔
2.29s	7.4	➔
2.74s	6.7	➔
2.54s	☐	
2.47s	7.4	↑
2.50s	8.6	↑
2.19s	8.0	➔
Serie		54 (0x)
Total		312 (0x)



2.56s	☐	
2.57s	7.3	➔
2.37s	7.8	➔
2.00s	6.7	➔
2.27s	6.8	➔
2.10s	9.1	↑
2.16s	6.0	➔
2.37s	☐	
1.88s	8.8	➔
2.20s	☐	
Serie		49 (0x)
Total		361 (0x)

Lag 1	Skive 32	Andreas Aaserud		
-----------------	--------------------	------------------------	--	--

Finpistol Duell	Numedal SSK	M	
-----------------	-------------	---	--

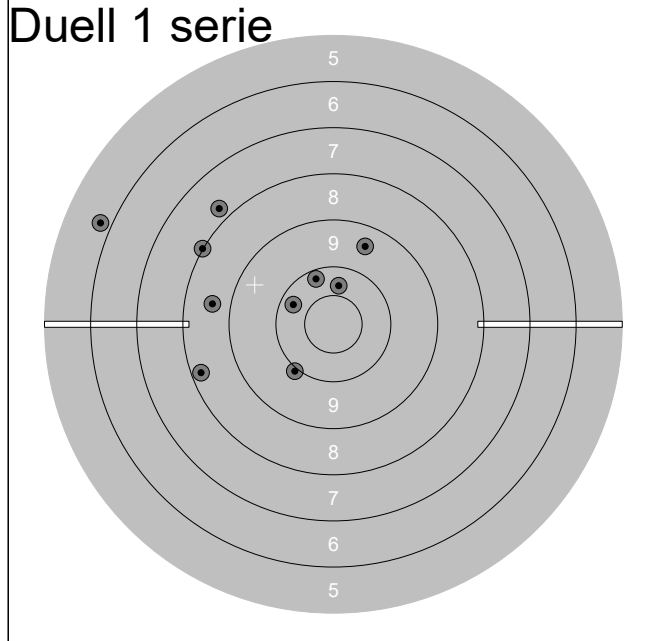
23.06.2019	NM bane 2019	NM Pistol 2019
------------	--------------	----------------

DSQ	
-----	--

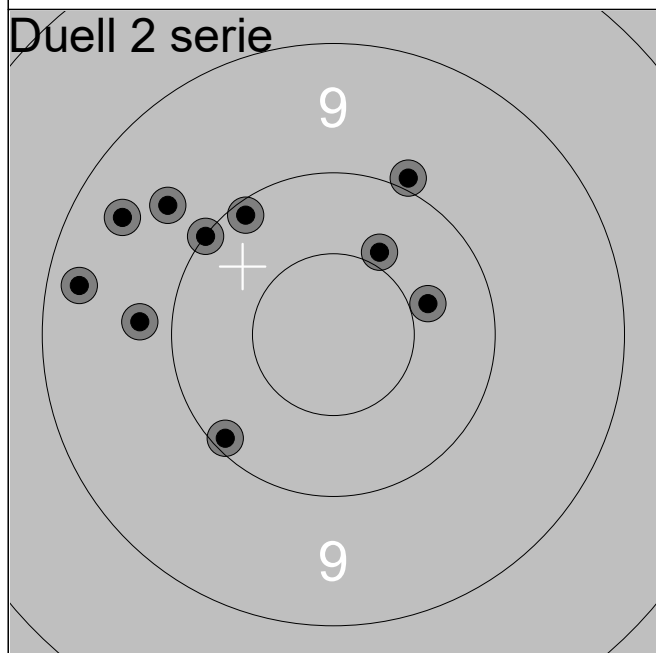
Duell 1 serie 	2.57s	9.9	↓
	2.50s	10.6x	↓
	2.52s	10.6x	↗
	2.47s	8.1	↖
	2.54s	9.9	↗
	2.59s	☒	
	2.89s	9.0	↖
	2.45s	7.6	←
	2.27s	9.8	↓
	2.64s	7.7	↖
Serie		78 (2x)	
Total		348 (2x)	

Duell 2 serie 	2.54s	☒	
	2.54s	10.5x	↘
	2.60s	10.0	←
	2.25s	10.8x	↓
	2.60s	10.1	↑
	2.71s	7.8	↑
	2.27s	10.1	↖
	2.12s	10.7x	←
	2.42s	9.2	↑
	2.19s	9.2	↓
Serie		85 (3x)	
Total		433 (5x)	

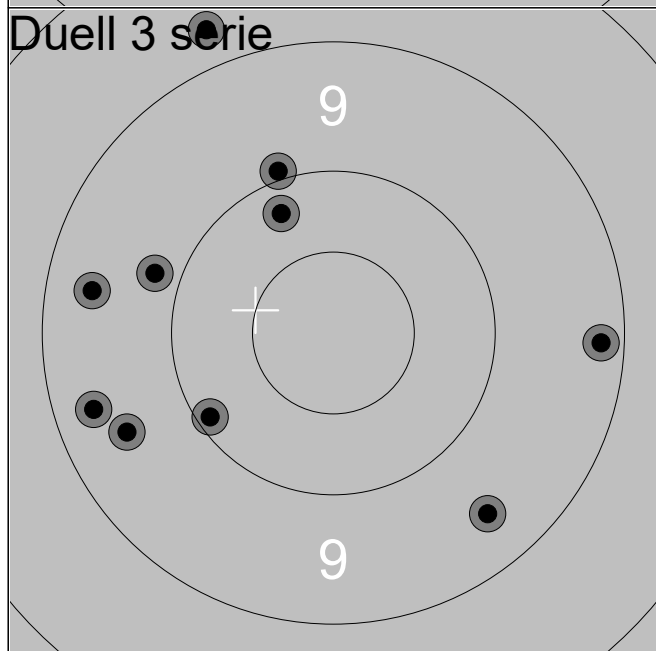
Duell 3 serie 	2.58s	☒	
	2.66s	8.1	←
	2.31s	9.6	↑
	2.21s	8.7	↑
	2.36s	10.1	↘
	2.45s	10.0	←
	2.86s	8.4	↘
	2.15s	10.8x	↖
	2.42s	8.7	↑
	2.24s	☒	
Serie		71 (1x)	
Total		504 (6x)	



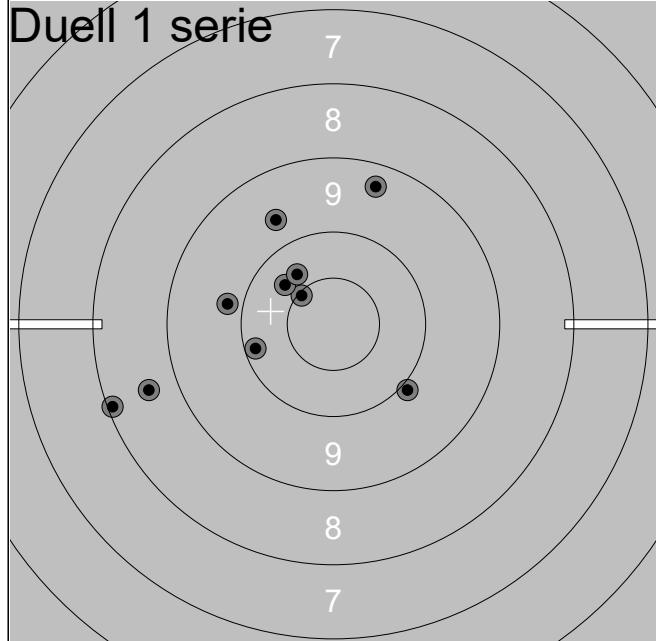
	2.33s	8.2	←
	2.10s	9.5	↑
	2.25s	10.2	↖
	2.34s	7.7	↗
	2.66s	5.8	↖
	2.38s	10.1	↑
	2.43s	10.0	↘
	2.80s	8.6	←
	2.61s	8.0	↖
	2.62s	10.3	↑
Serie			85 (0x)
Total			367 (0x)



	2.43s	9.6	↖
	2.42s	10.1	↘
	2.36s	10.4	→
	2.54s	9.8	←
	2.45s	9.3	←
	2.38s	10.0	↗
	2.69s	9.4	↖
	2.43s	9.9	↑
	2.42s	10.4	↗
	2.37s	10.1	↖
Serie			95 (0x)
Total			462 (0x)



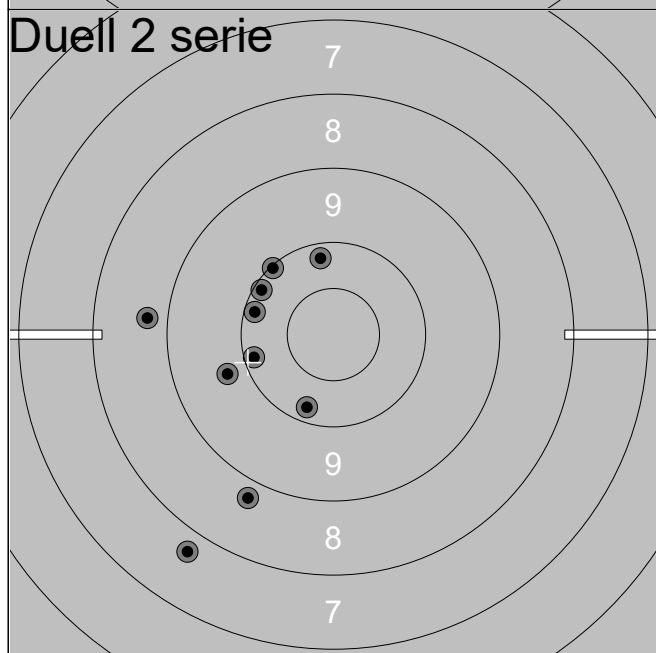
	2.77s	9.5	←
	2.56s	8.7	↑
	2.39s	9.4	←
	2.29s	10.1	↘
	2.17s	9.3	←
	2.41s	9.4	↘
	2.50s	10.2	↑
	2.63s	9.9	↑
	2.60s	9.8	←
	2.46s	9.2	→
Serie			91 (0x)
Total			553 (0x)



2.12s	9.8	←
2.33s	9.9	↘
2.35s	10.5x	↗
2.45s	8.1	←
2.65s	10.3	↗
2.21s	9.3	↗
2.45s	10.1	←
2.24s	9.7	↗
2.35s	10.3	↗
2.25s	8.6	←

Serie	92 (1x)
-------	----------

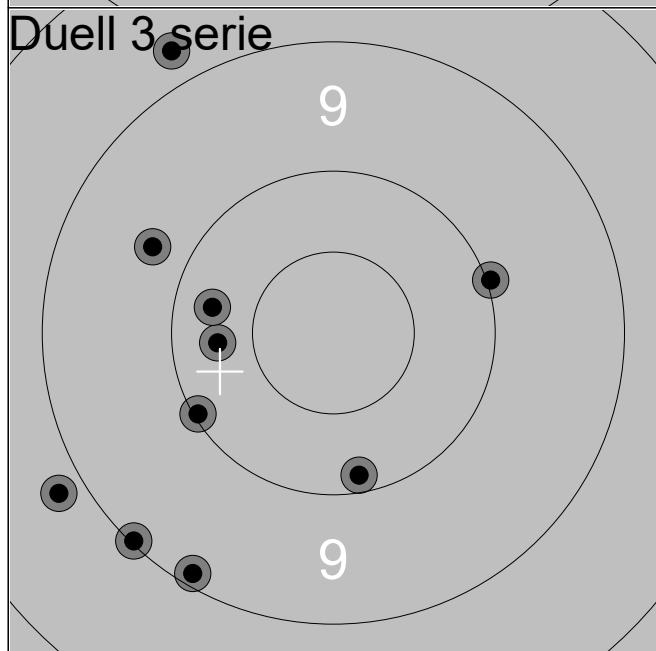
Total	368 (1x)
-------	-----------



2.37s	8.7	←
1.93s	9.7	←
2.33s	7.7	↘
2.25s	8.8	↘
2.64s	10.2	↘
2.09s	10.0	↗
2.37s	10.1	←
2.39s	10.1	←
2.63s	10.1	↗
2.25s	10.2	↑

Serie	92 (0x)
-------	----------

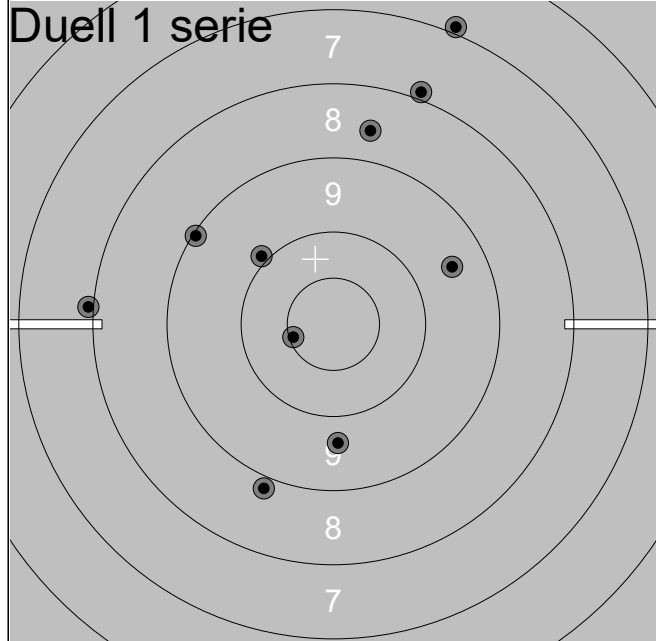
Total	460 (1x)
-------	-----------



2.64s	10.3	←
2.61s	10.0	→
2.60s	10.0	←
2.06s	9.7	↖
2.68s	9.0	↘
2.48s	10.1	↘
2.35s	10.2	←
2.44s	9.1	↘
2.68s	8.8	←
2.70s	8.8	↗

Serie	93 (0x)
-------	----------

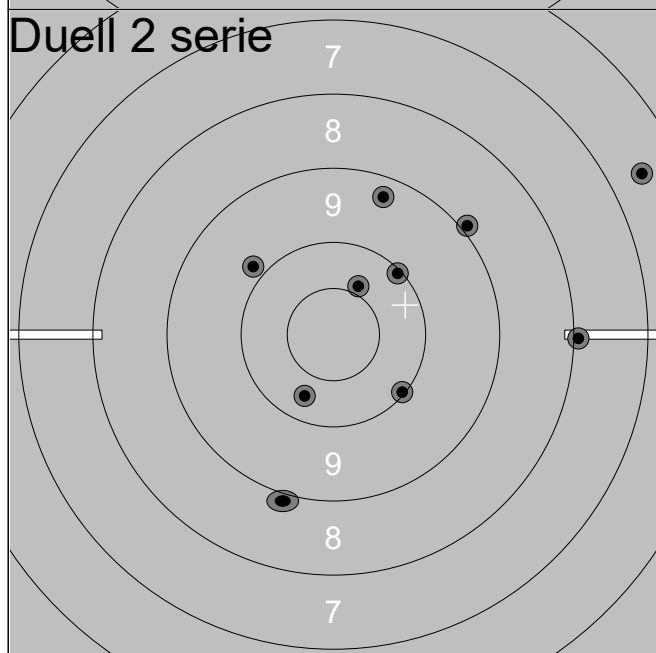
Total	553 (1x)
-------	-----------



2.52s	9.1	↖
2.50s	7.9	↑
2.69s	9.7	↓
2.68s	8.6	↑
2.75s	9.5	➔
2.37s	8.9	↓
2.54s	6.9	↑
2.77s	7.9	←
3.02s	9.9	↖
2.83s	10.5x	←

Serie	82 (1x)
-------	----------

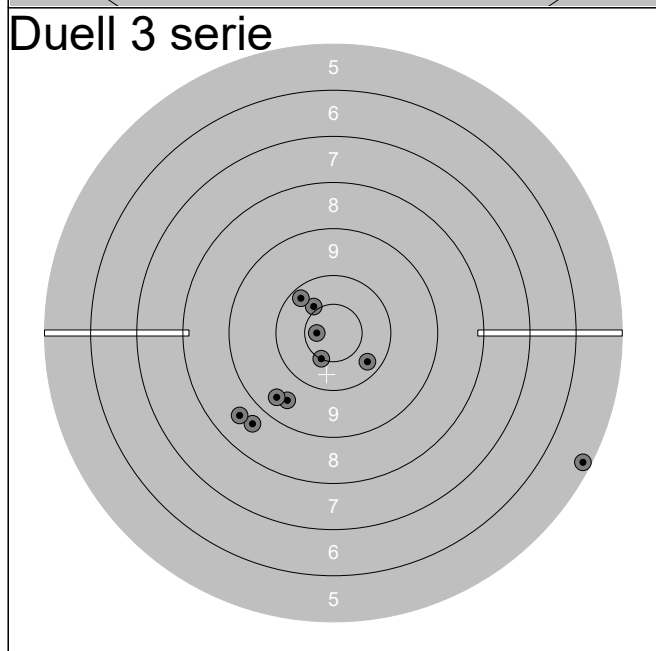
Total	358 (1x)
-------	-----------



2.83s	9.3	↑
3.10s	10.4	↑
2.80s	9.8	↖
2.50s	10.0	↗
2.89s	8.9	↗
2.69s	10.0	↘
2.75s	8.0	➔
0.01s	↖	
2.93s	10.3	↓
2.63s	6.6	↗

Serie	80 (0x)
-------	----------

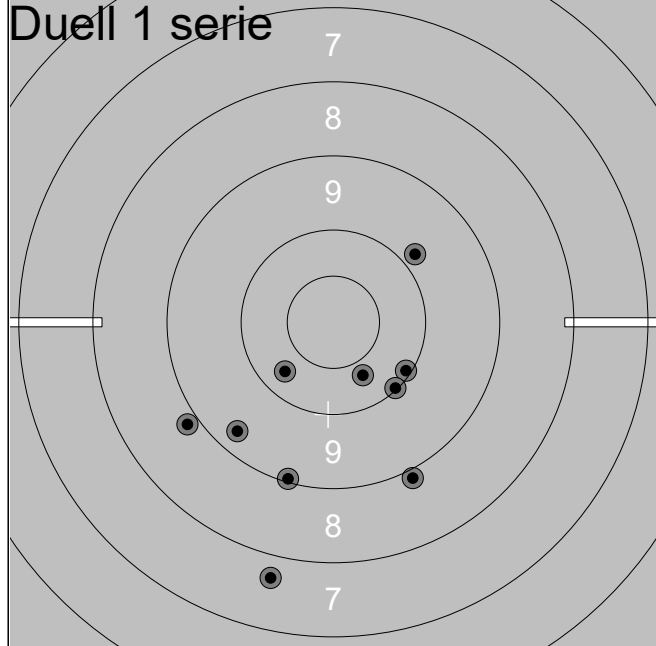
Total	438 (1x)
-------	-----------



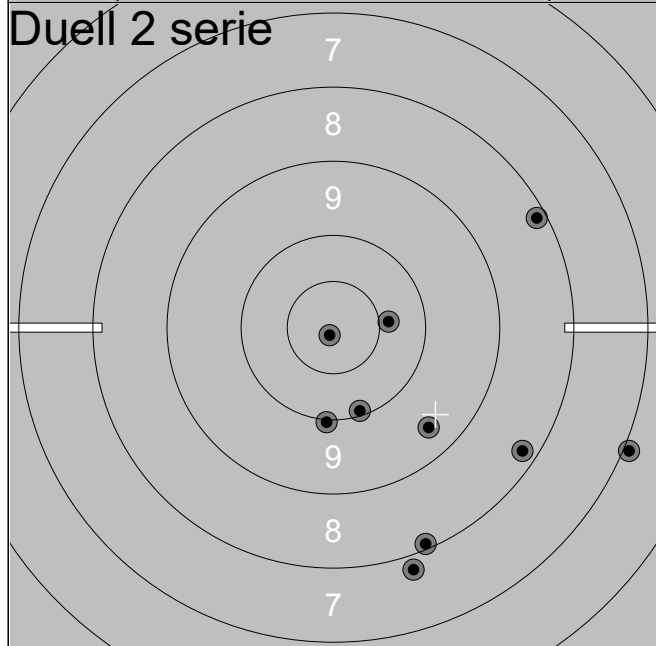
2.79s	9.5	↓
2.86s	5.2	➔
2.69s	8.6	↘
2.38s	10.2	↘
2.52s	8.6	↘
2.47s	9.4	↘
2.68s	10.4	↖
2.69s	10.5x	↓
3.00s	10.7x	←
2.57s	10.2	↖

Serie	89 (2x)
-------	----------

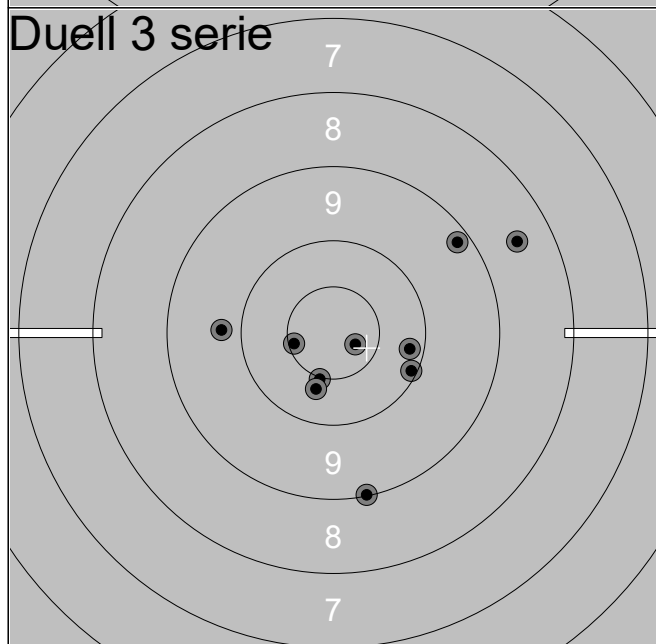
Total	527 (3x)
-------	-----------



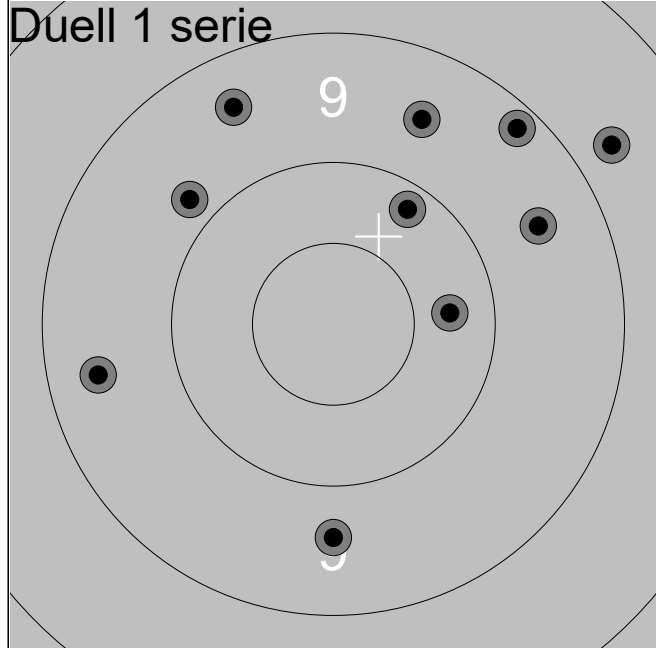
2.81s	9.8	↗
2.47s	8.9	↓
2.36s	9.1	↓
2.59s	10.2	↙
2.72s	8.9	↖
2.71s	10.3	↓
2.70s	10.1	↘
2.44s	10.0	↘
2.69s	9.3	↙
2.71s	7.7	↓
Serie		90 (0x)
Total		364 (0x)



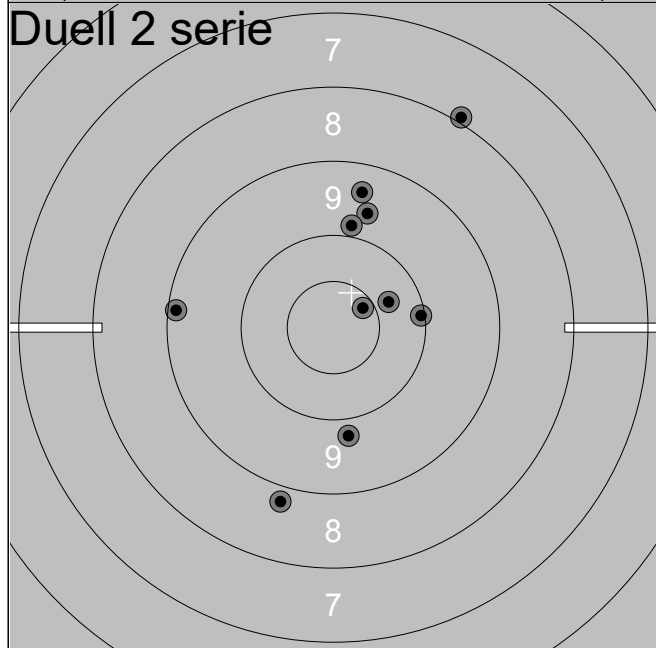
2.71s	10.1	↓
2.65s	9.4	↘
2.65s	6.9	→
2.40s	7.8	↓
2.85s	10.0	↓
2.52s	10.4	→
2.93s	8.1	↗
2.44s	8.1	↓
2.76s	10.9x	↓
2.69s	8.2	↘
Serie		86 (1x)
Total		450 (1x)



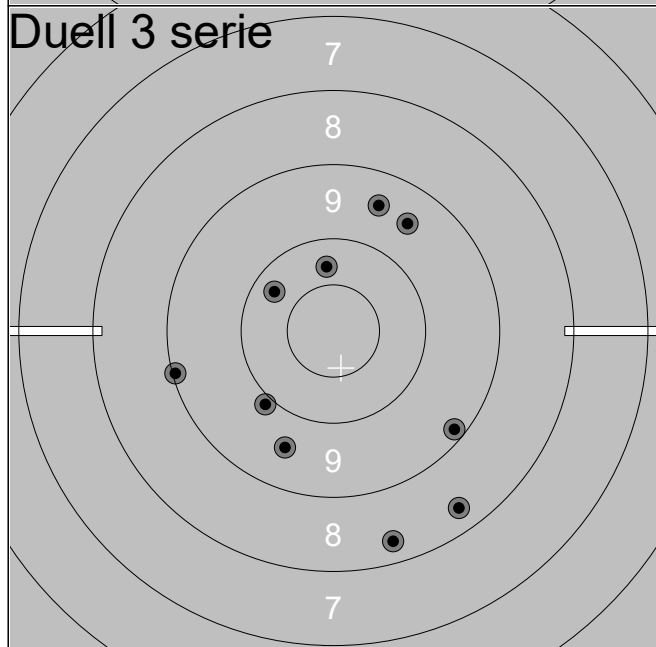
2.54s	10.5x	↓
2.66s	10.5x	←
2.50s	10.2	→
2.54s	9.0	↓
2.58s	9.2	↗
2.75s	9.8	←
2.74s	10.1	↘
2.54s	10.7x	↘
2.52s	10.3	↓
2.40s	8.5	↗
Serie		95 (3x)
Total		545 (4x)



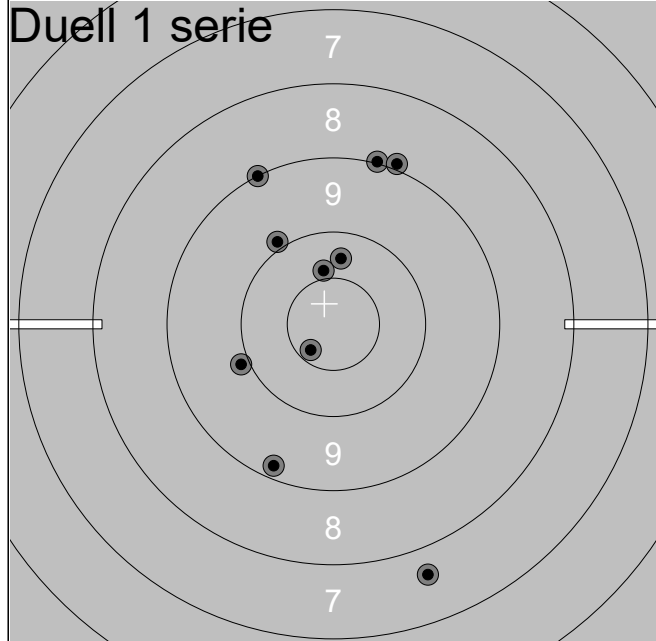
1.92s	10.1	↗
2.04s	9.8	↖
2.35s	10.3	→
2.18s	9.4	←
2.31s	9.5	↗
2.12s	8.7	↗
2.19s	9.5	↑
2.12s	9.4	↖
2.52s	9.6	↓
2.38s	9.2	↗
Serie		91 (0x)
Total		365 (0x)



2.39s	10.0	→
2.11s	9.8	↓
2.23s	7.9	↗
2.08s	10.6x	↗
2.13s	9.7	↑
2.46s	9.9	↑
2.27s	9.1	←
2.62s	9.4	↑
2.66s	10.3	↗
2.21s	8.8	↓
Serie		90 (1x)
Total		455 (1x)

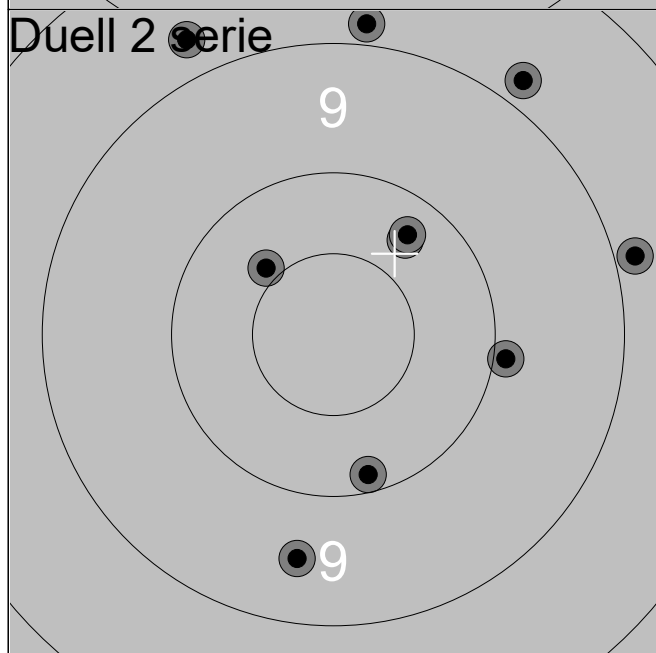


2.38s	9.2	↘
2.23s	9.5	↑
2.36s	9.9	↖
2.31s	8.3	↓
2.47s	8.3	↘
2.57s	9.6	↘
2.20s	9.1	←
2.48s	10.2	↖
2.62s	9.5	↗
2.31s	10.3	↑
Serie		90 (0x)
Total		545 (1x)



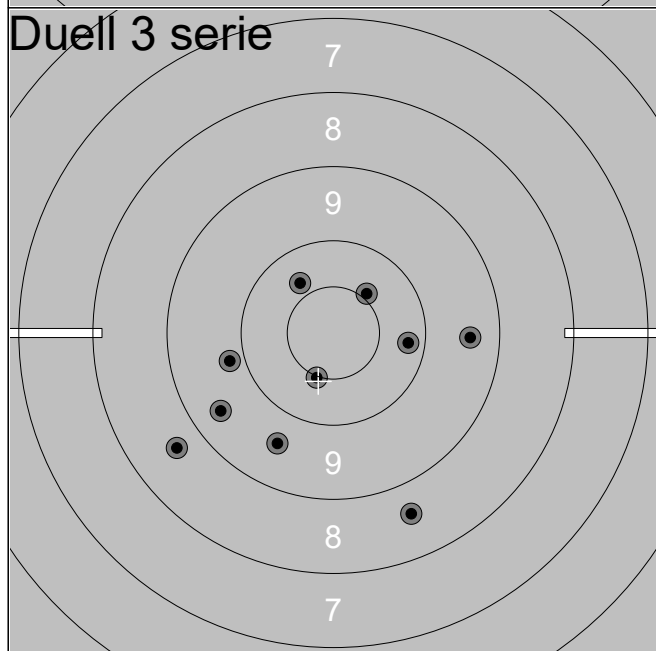
2.44s	9.9	←
2.66s	10.6x	↙
2.49s	10.3	↑
2.57s	9.0	↑
2.54s	9.9	↗
2.52s	9.0	↗
2.64s	10.4	↑
2.31s	7.7	↓
2.43s	9.2	↘
2.65s	8.9	↑

Serie	90 (1x)
Total	364 (1x)



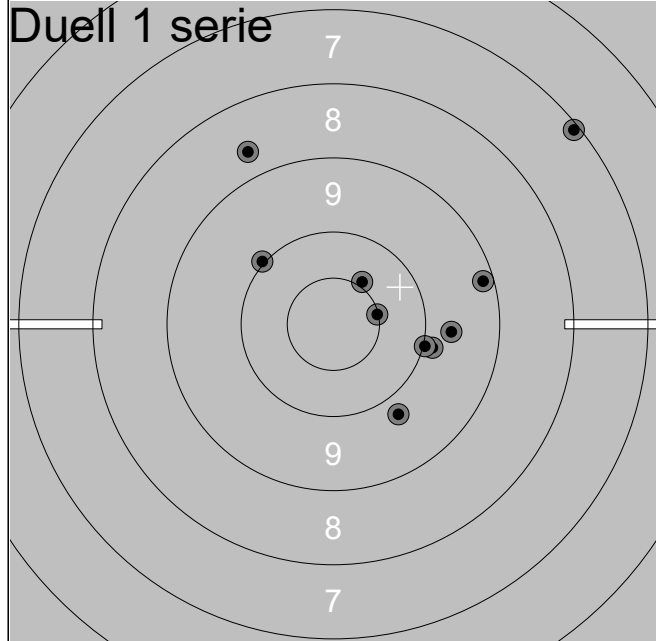
2.54s	8.9	↑
2.57s	10.4	↖
2.50s	9.5	↓
2.44s	9.9	→
2.83s	10.3	↗
2.47s	10.2	↗
2.69s	8.9	→
2.47s	8.7	↑
2.49s	10.1	↓
2.42s	8.8	↗

Serie	90 (0x)
Total	454 (1x)



2.58s	10.5x	↓
2.50s	9.8	←
2.46s	10.4	↗
2.39s	10.2	→
2.59s	8.6	↓
2.63s	8.6	←
2.65s	10.3	↑
2.67s	9.4	→
2.54s	9.6	↓
2.74s	9.4	←

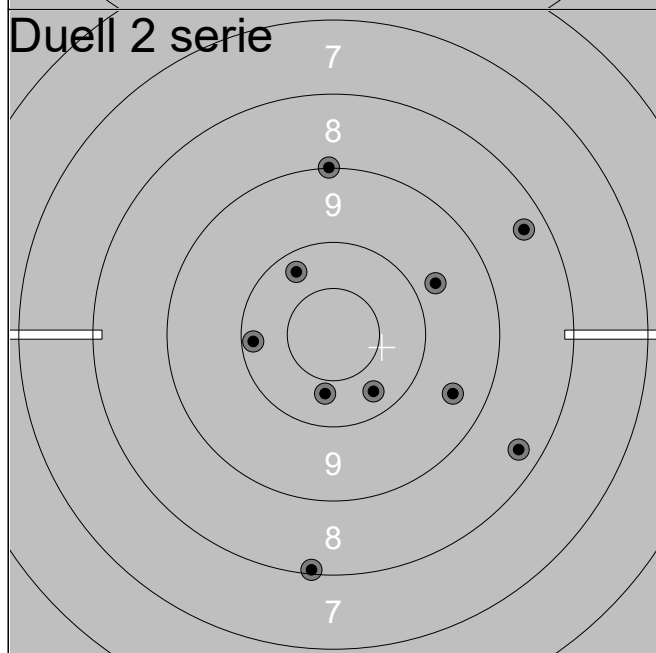
Serie	92 (1x)
Total	546 (2x)



2.45s	10.0	↗
2.66s	9.9	→
2.54s	9.7	→
2.71s	10.4	↗
2.60s	9.8	↘
2.46s	10.0	→
2.73s	7.1	↗
2.25s	10.5x	→
2.41s	8.7	↗
2.47s	9.2	→

Serie	91 (1x)
--------------	-----------------

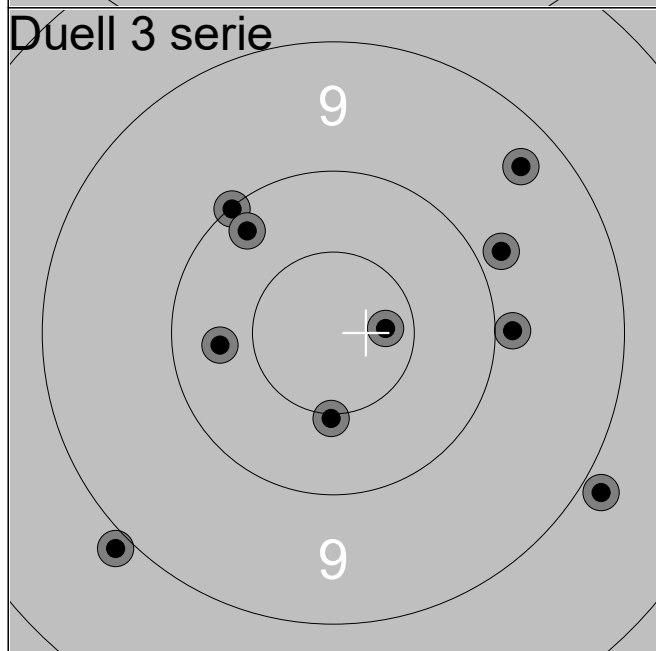
Total	364 (1x)
--------------	------------------



2.43s	10.2	↗
2.52s	9.0	↑
2.75s	8.3	↘
2.74s	8.1	↓
2.75s	8.3	↗
2.60s	9.7	↗
2.50s	10.2	↘
2.39s	10.1	←
2.73s	9.5	↘
2.64s	10.3	↓

Serie	91 (0x)
--------------	-----------------

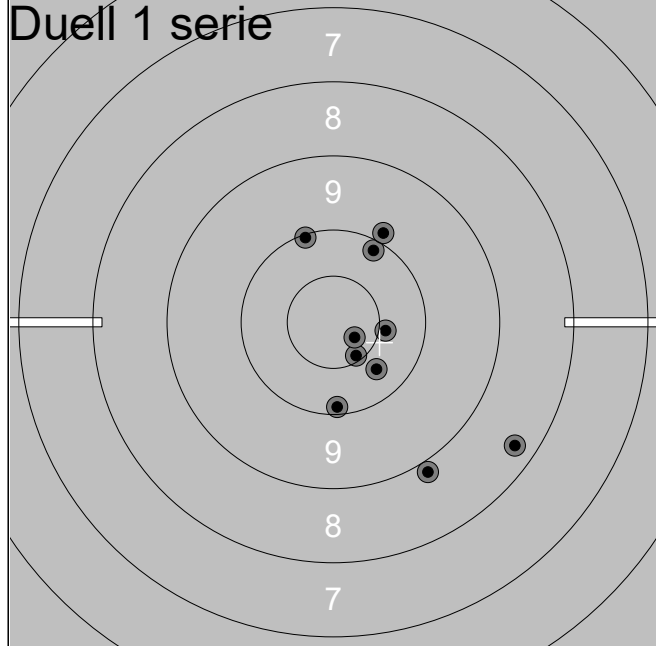
Total	455 (1x)
--------------	------------------



2.42s	9.3	↗
2.37s	10.0	↗
2.76s	8.9	↘
2.69s	10.5x	↓
2.69s	9.8	↗
2.79s	8.9	↘
2.70s	9.9	→
2.83s	10.2	↗
2.58s	10.6x	→
2.52s	10.3	←

Serie	93 (2x)
--------------	-----------------

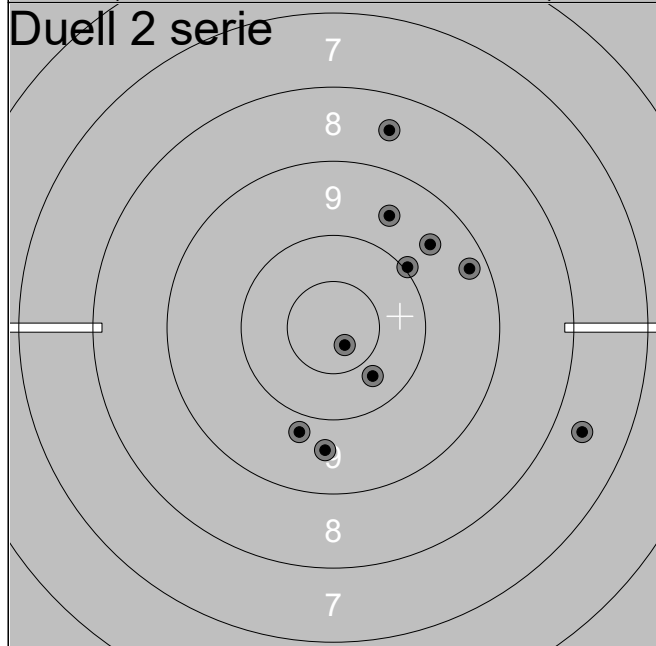
Total	548 (3x)
--------------	------------------



2.08s	10.1	↗
2.22s	10.5x	↘
2.21s	10.3	↘
2.18s	9.9	↗
2.04s	10.1	↘
2.22s	10.4	→
2.33s	8.3	↘
2.29s	8.9	↘
2.25s	10.7x	↘
2.16s	10.0	↗

Serie	95 (2x)
--------------	-----------------

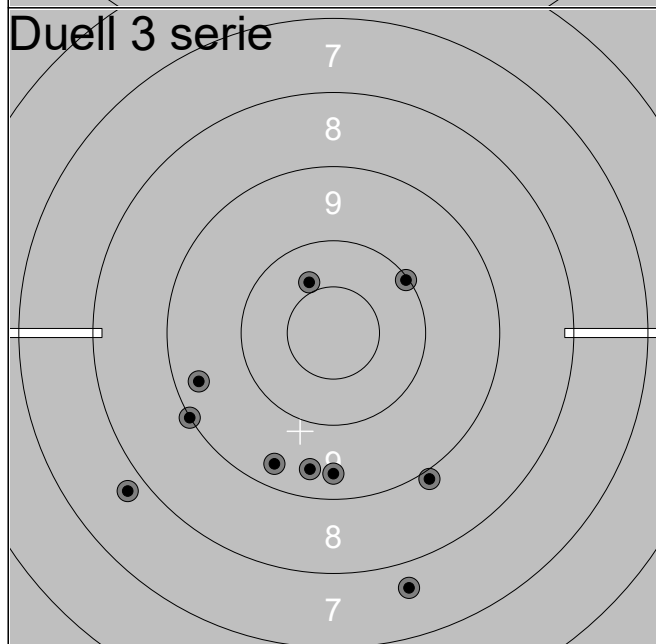
Total	368 (2x)
--------------	------------------



2.15s	9.6	↗
2.27s	9.6	↘
2.56s	10.7x	↘
2.24s	7.6	→
2.16s	10.0	↗
2.31s	9.8	↘
2.22s	9.3	→
2.19s	8.5	↗
2.45s	9.5	↗
2.18s	10.3	↘

Serie	90 (1x)
--------------	-----------------

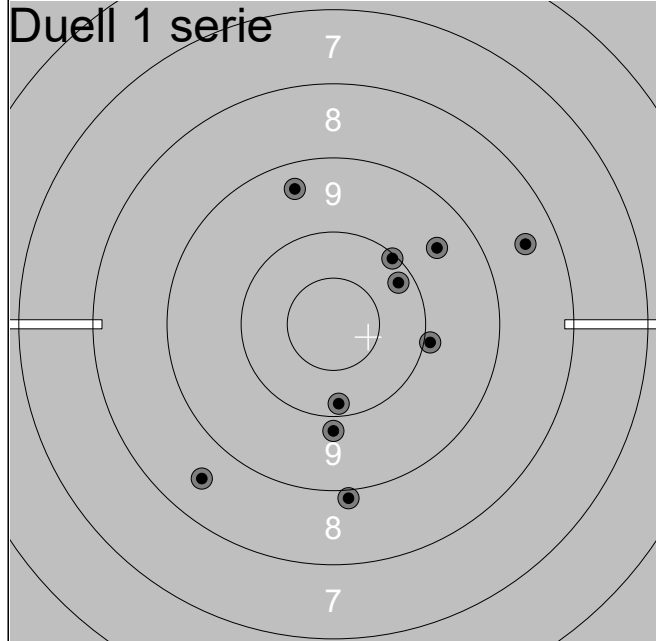
Total	458 (3x)
--------------	------------------



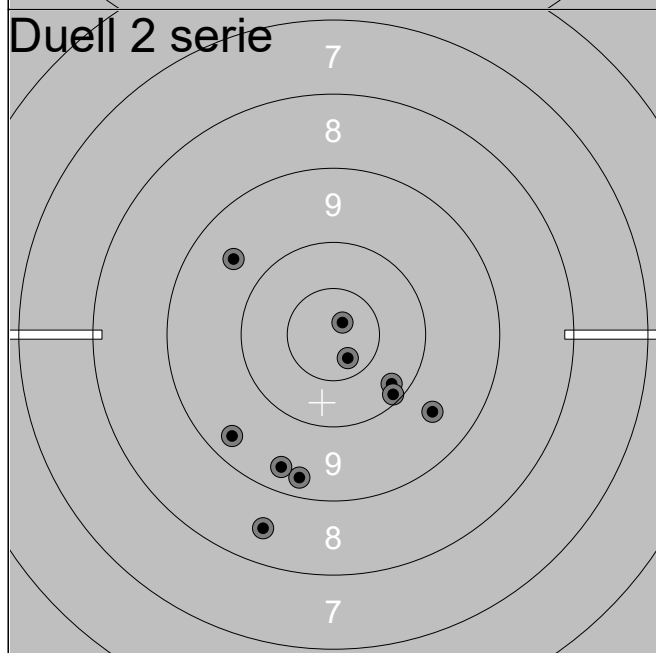
2.50s	9.3	←
2.41s	9.4	↘
2.35s	7.7	↘
2.31s	7.8	←
2.56s	10.0	↗
2.44s	9.3	↘
2.63s	10.4	↗
2.20s	9.4	↘
2.35s	9.0	←
2.43s	8.9	↘

Serie	87 (0x)
--------------	-----------------

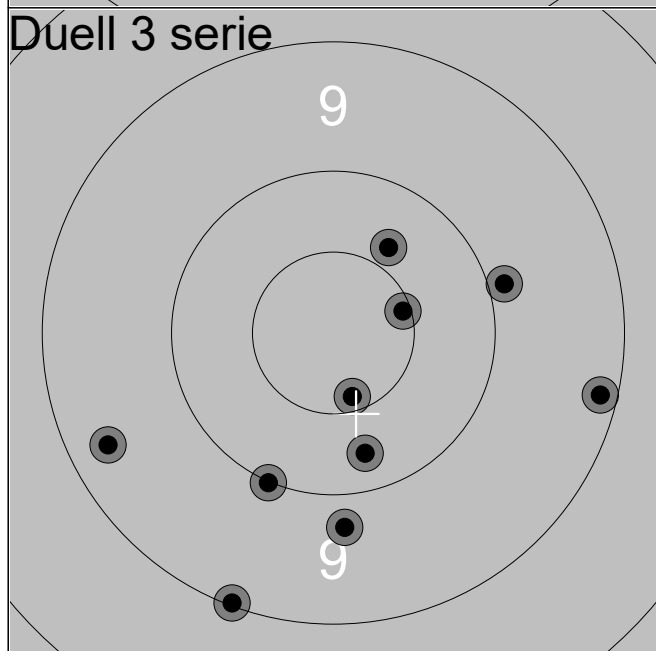
Total	545 (3x)
--------------	------------------



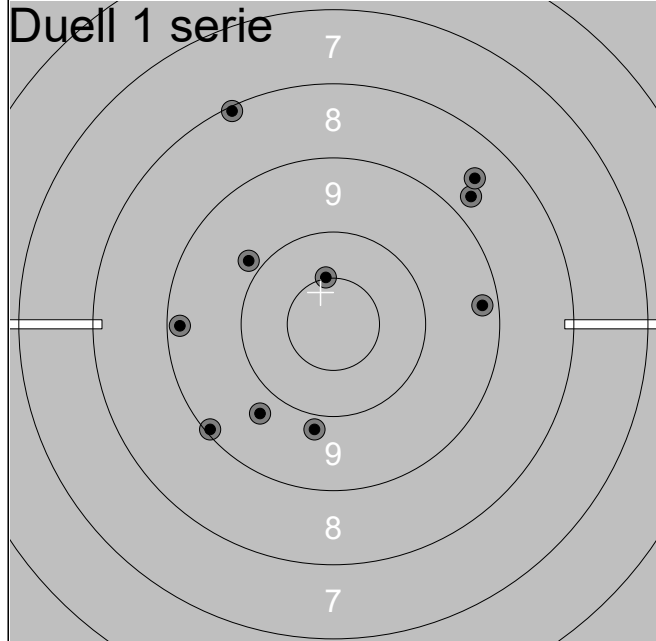
2.34s	9.4	↑
2.35s	9.8	↓
2.29s	10.0	↗
2.40s	9.9	→
2.52s	8.9	↓
2.25s	8.5	↙
2.62s	8.5	↗
2.38s	10.1	↓
2.39s	9.5	↗
2.61s	10.2	↗
Serie		90 (0x)
Total		363 (0x)



2.45s	9.3	↙
2.61s	9.6	↘
2.47s	10.2	↘
2.40s	10.1	↘
2.36s	9.3	↓
2.29s	9.6	↗
2.71s	10.7x	↘
2.61s	8.5	↓
2.71s	9.3	↘
2.33s	10.8x	↗
Serie		93 (2x)
Total		456 (2x)



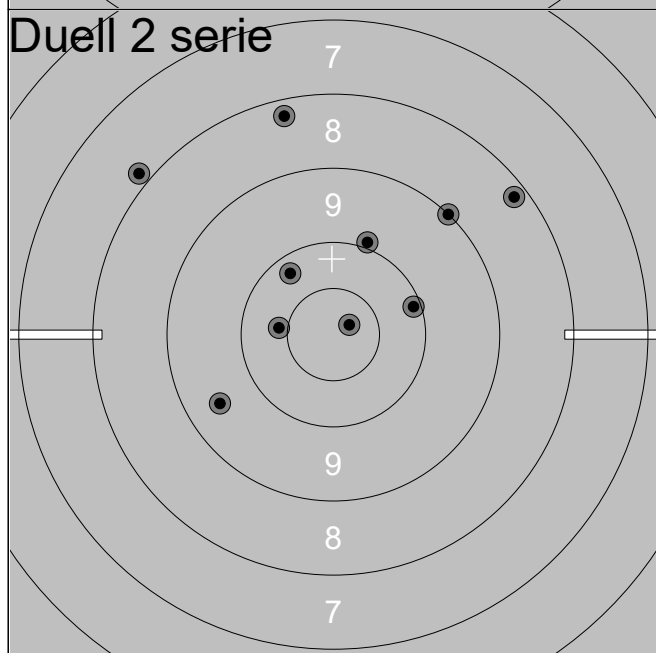
2.41s	9.2	→
2.73s	10.6x	↓
2.40s	10.2	↓
2.64s	9.8	↓
2.37s	10.0	↙
2.74s	10.4	↗
2.47s	9.0	↓
2.49s	9.9	→
2.50s	9.3	↙
2.52s	10.5x	→
Serie		95 (2x)
Total		551 (4x)



2.00s	9.8	↓
2.17s	8.7	↗
2.17s	9.1	↖
2.14s	9.2	←
2.24s	8.1	↗
2.09s	8.5	↗
2.38s	9.2	→
1.94s	9.7	↖
2.06s	9.8	↖
2.25s	10.5x	↑

Serie	88 (1x)
-------	----------

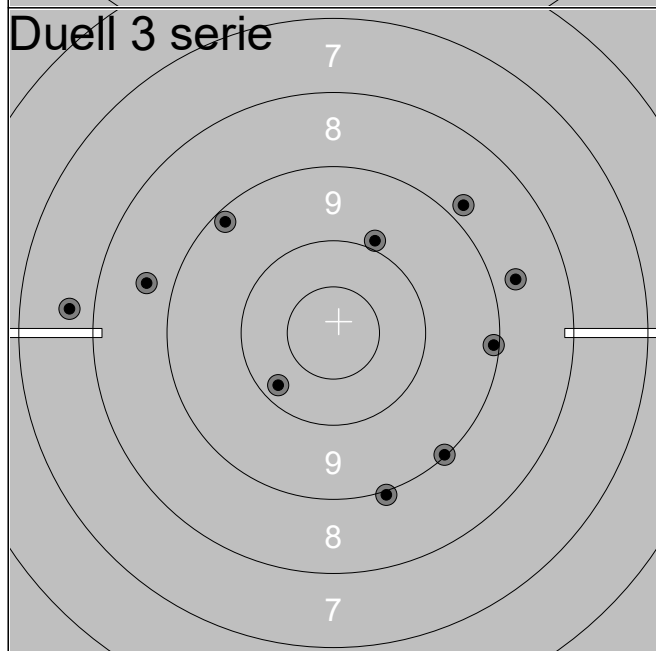
Total	361 (1x)
-------	-----------



2.24s	9.9	↑
2.24s	9.5	↖
2.45s	8.2	↑
2.37s	9.0	↗
2.22s	10.4	←
2.31s	10.1	→
1.97s	10.8x	↗
2.06s	8.2	↗
2.25s	7.9	↖
2.10s	10.2	↗

Serie	90 (1x)
-------	----------

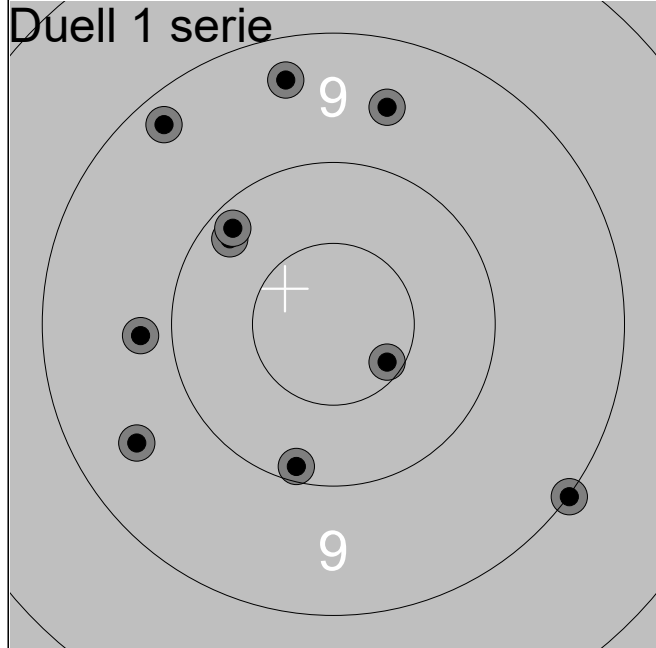
Total	451 (2x)
-------	-----------



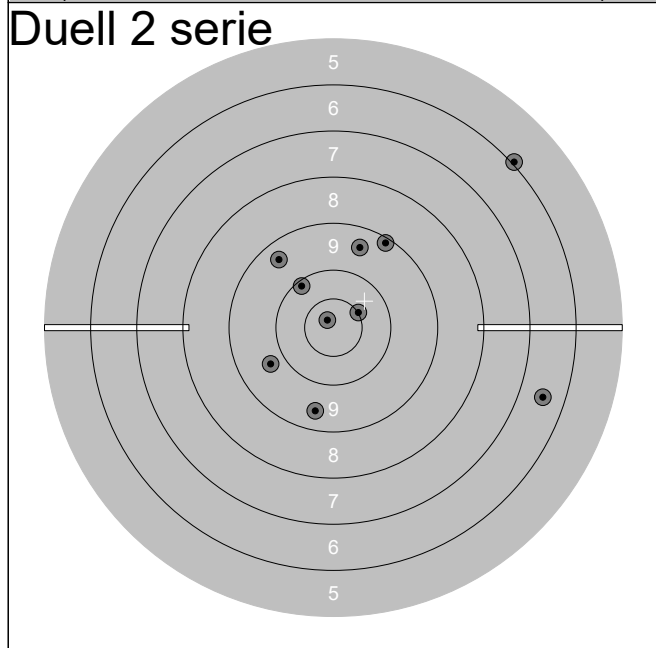
2.54s	8.8	↗
2.47s	9.9	↑
2.08s	8.7	→
2.21s	8.7	←
2.21s	10.2	↖
2.48s	9.0	↘
2.56s	7.7	←
2.36s	9.1	→
2.34s	9.0	↓
2.41s	9.2	↗

Serie	86 (0x)
-------	----------

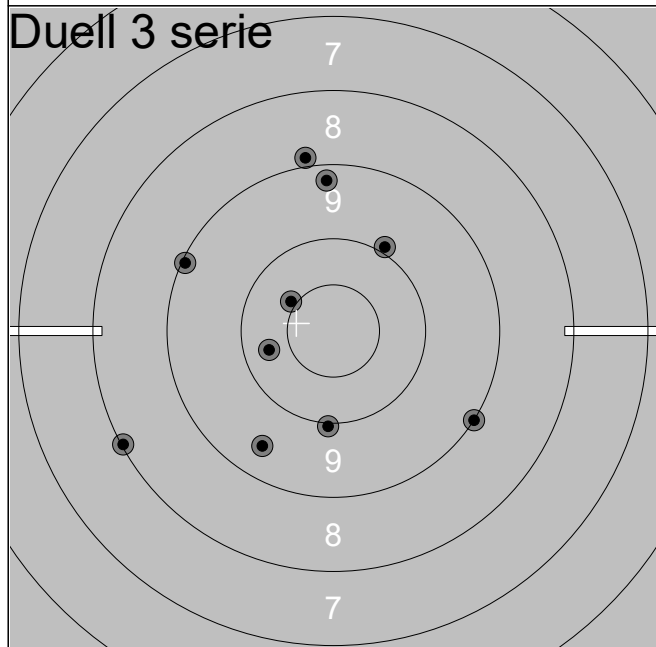
Total	537 (2x)
-------	-----------



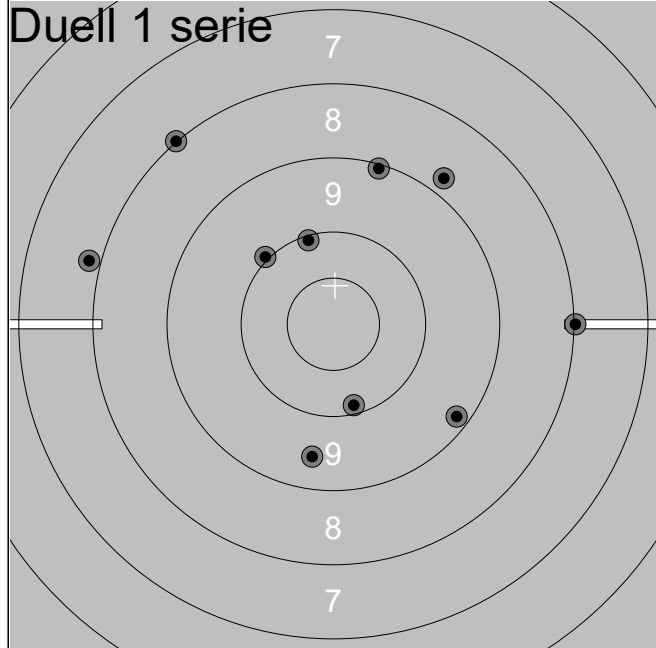
2.47s	9.5	↑
2.60s	9.5	←
2.54s	10.6x	↘
2.78s	9.0	↘
2.54s	9.3	↑
2.39s	10.2	↗
2.52s	10.1	↗
2.50s	10.1	↘
2.50s	9.2	↗
2.31s	9.8	←
Serie		94 (1x)
Total		367 (1x)



2.37s	9.4	↓
2.84s	9.1	↗
2.62s	6.5	→
2.48s	9.7	←
2.42s	6.0	↗
2.43s	10.8x	↗
2.74s	10.1	↗
2.38s	9.4	↗
2.52s	9.4	↑
2.46s	10.5x	↗
Serie		87 (2x)
Total		454 (3x)



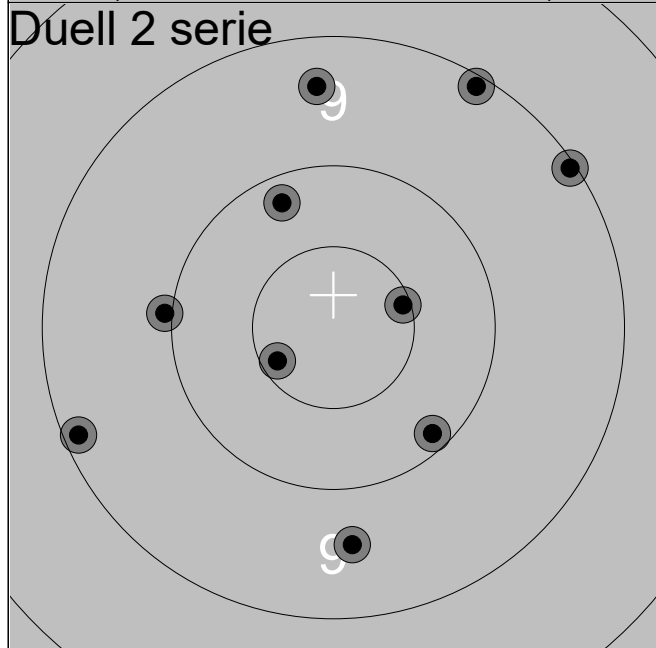
2.58s	10.0	↓
2.62s	9.0	↘
2.58s	10.4	↗
2.63s	9.9	↗
2.54s	9.2	↑
2.49s	9.4	↘
2.56s	10.3	←
2.69s	8.9	↑
2.50s	9.1	↖
2.40s	8.0	↖
Serie		91 (0x)
Total		545 (3x)



2.44s	8.0	→
2.76s	8.8	↗
2.54s	9.1	↗
2.50s	10.1	↓
2.63s	10.1	↗
2.76s	8.0	↗
2.66s	9.2	↘
2.74s	7.9	←
2.72s	9.5	↓
2.66s	10.0	↖

Serie	88 (0x)
-------	----------

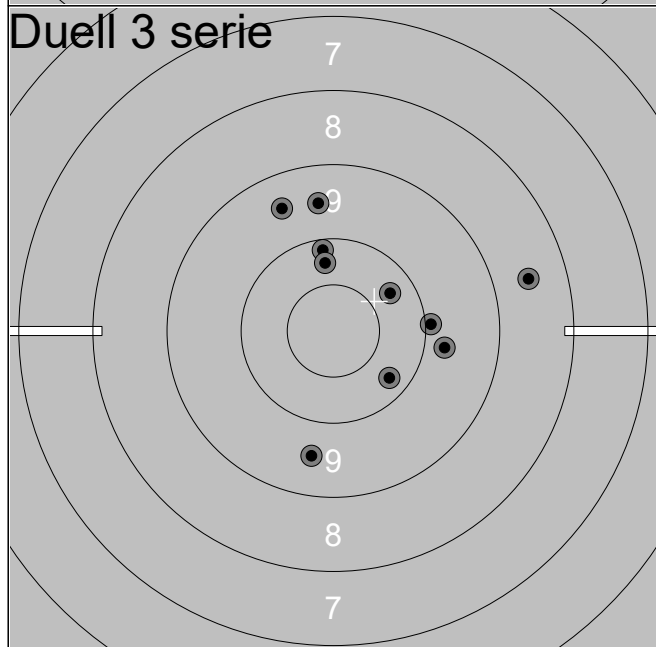
Total	358 (0x)
-------	-----------



2.74s	10.5x	→
2.57s	9.6	↓
2.50s	10.6x	←
2.36s	10.2	↗
2.65s	10.0	←
2.41s	9.1	←
2.69s	9.1	↗
2.78s	9.1	↗
2.49s	10.1	↘
2.63s	9.4	↑

Serie	95 (2x)
-------	----------

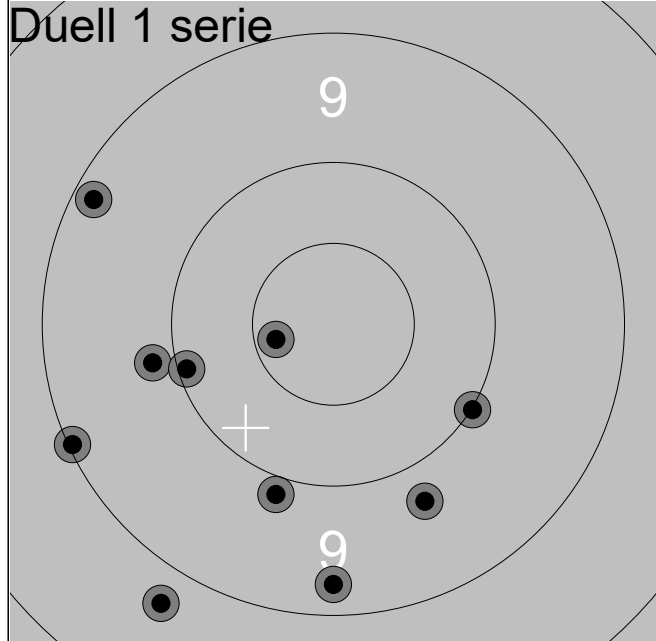
Total	453 (2x)
-------	-----------



2.58s	9.6	↓
2.60s	8.5	→
2.56s	10.2	↘
2.67s	10.1	↑
2.41s	9.5	↗
2.45s	10.3	↗
2.68s	9.9	→
2.46s	9.5	↑
2.60s	9.7	→
2.54s	10.2	↑

Serie	93 (0x)
-------	----------

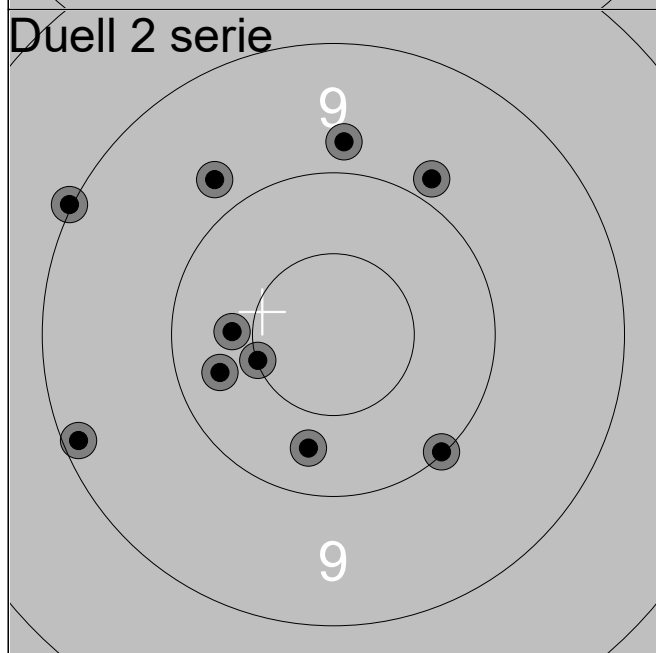
Total	546 (2x)
-------	-----------



2.46s	9.2	↖
2.78s	10.6x	←
2.77s	8.7	↘
2.66s	9.9	↘
2.76s	9.8	←
2.82s	9.7	↘
2.83s	9.0	←
2.79s	9.3	↘
2.72s	10.0	↘
3.26s	10.1	←

Serie 92 (1x)

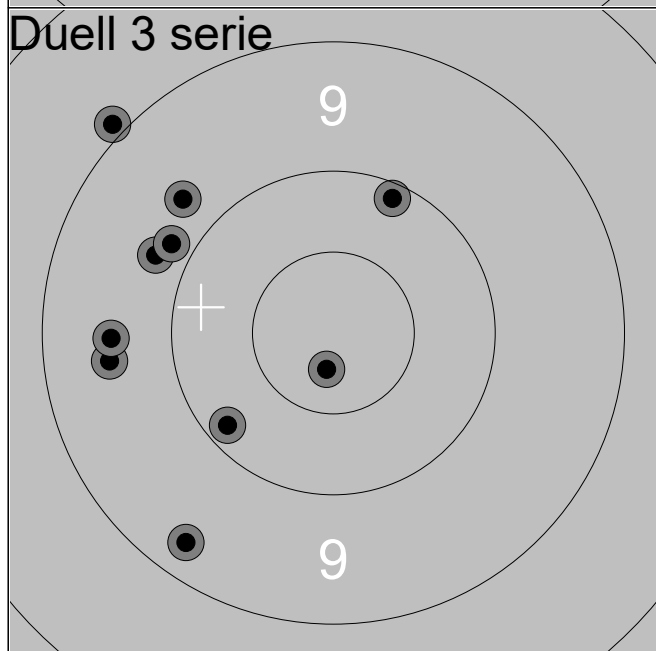
Total 362 (1x)



2.60s	9.8	↑
2.66s	9.0	↖
2.77s	9.1	←
2.87s	10.2	←
3.00s	10.0	↘
2.69s	9.8	↗
2.59s	9.8	↗
2.74s	10.5x	←
2.78s	10.3	↘
2.87s	10.4	←

Serie 95 (1x)

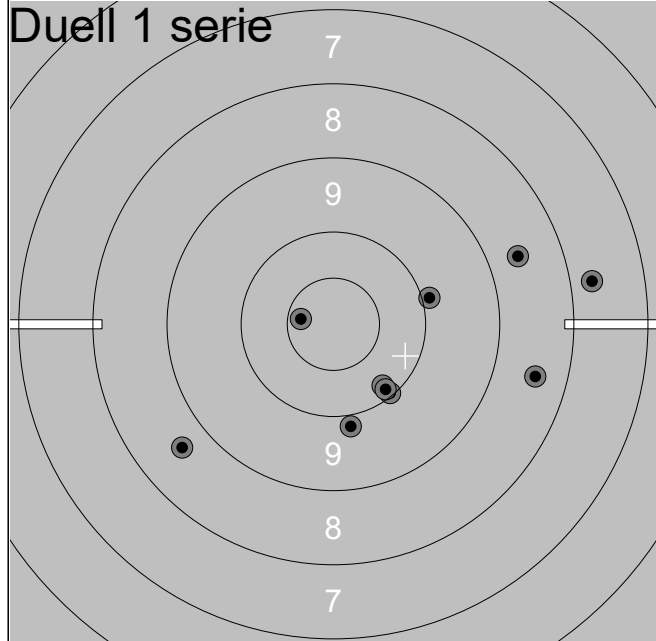
Total 457 (2x)



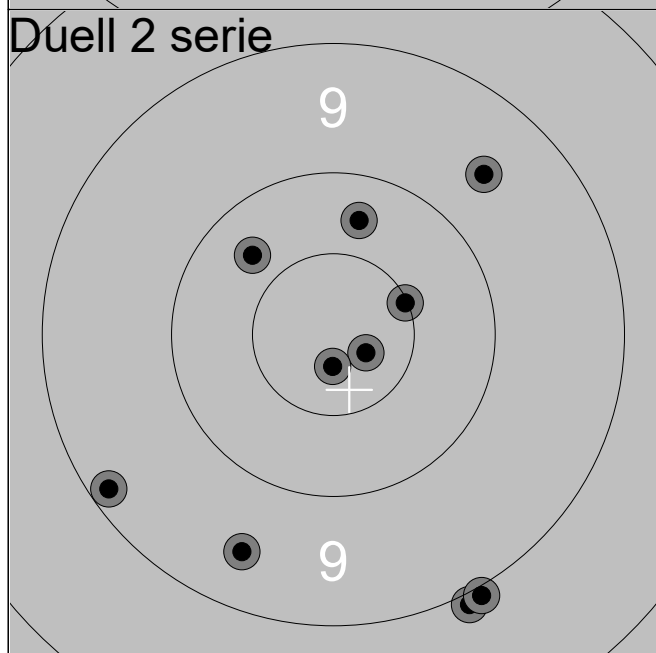
2.67s	8.9	↗
2.56s	10.1	↘
2.60s	9.8	↖
2.65s	9.3	↘
2.80s	9.5	←
2.52s	9.7	↗
2.87s	10.1	↗
2.62s	9.8	↖
2.50s	9.5	←
2.76s	10.7x	↘

Serie 92 (1x)

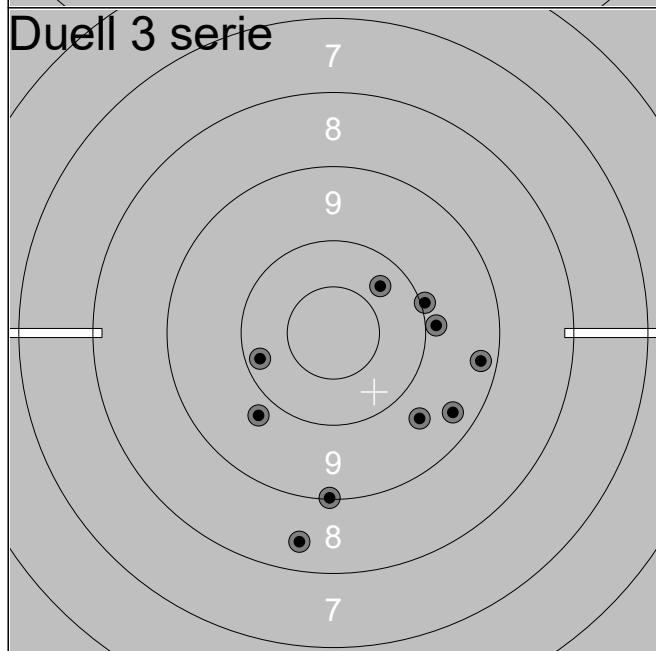
Total 549 (3x)



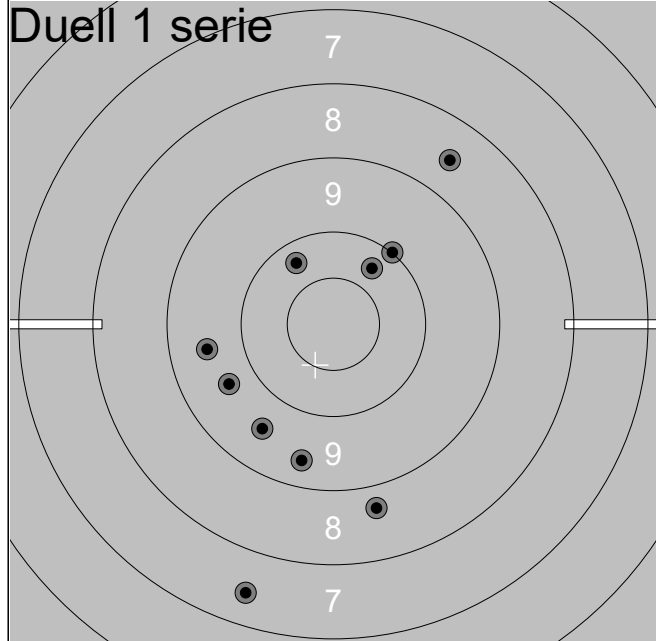
2.23s	7.7	→
2.33s	8.6	↙
2.68s	10.1	↘
2.46s	9.9	↘
2.60s	8.5	→
2.54s	9.9	→
2.41s	10.6x	←
2.38s	8.6	→
2.54s	10.0	↘
2.48s	10.1	↘
Serie	89 (1x)	
Total	359 (1x)	



2.61s	9.4	↘
2.58s	9.2	↙
2.56s	10.3	↗
2.54s	10.3	↑
2.61s	8.9	↘
2.50s	10.5x	→
2.64s	9.6	↗
2.73s	10.7x	↘
2.59s	10.8x	↘
2.44s	8.9	↘
Serie	93 (3x)	
Total	452 (4x)	



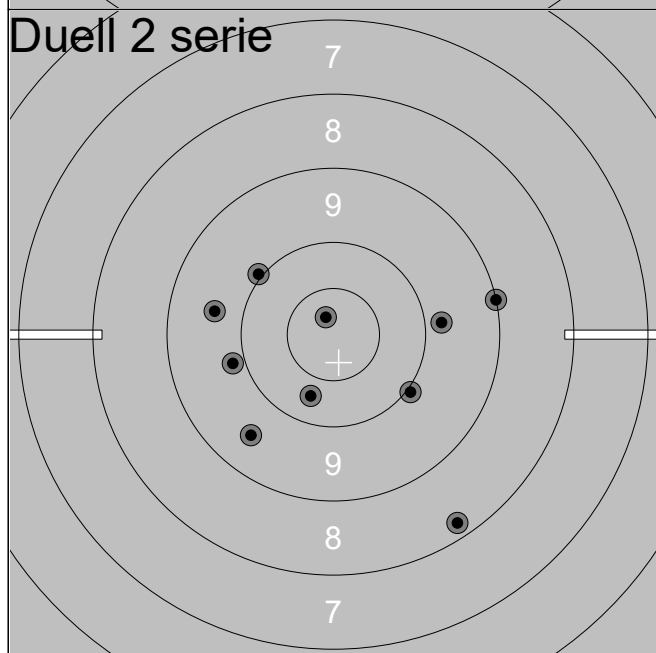
2.37s	10.2	←
2.50s	9.6	↘
2.62s	10.0	→
2.61s	9.3	↘
2.33s	9.2	→
2.68s	9.9	→
2.44s	9.8	↙
2.39s	9.0	↘
2.36s	10.3	↗
2.31s	8.4	↘
Serie	92 (0x)	
Total	544 (4x)	



2.39s	9.6	↙
2.48s	8.5	↗
2.47s	9.5	←
2.48s	10.2	↖
2.33s	8.7	↓
2.80s	10.0	↗
2.82s	10.3	↗
2.65s	9.4	↓
2.71s	7.5	↓
2.56s	9.6	↓

Serie	89 (0x)
-------	----------

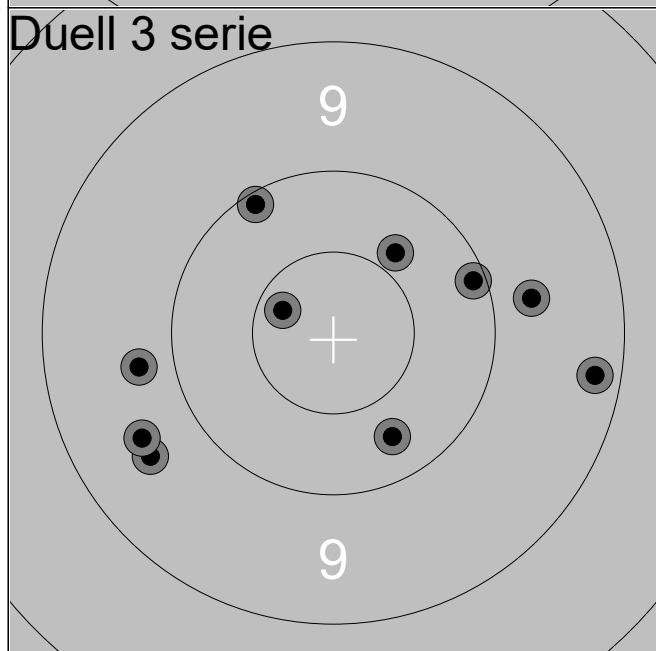
Total	358 (0x)
-------	-----------



2.50s	9.6	←
2.74s	8.2	↓
2.33s	10.3	↓
2.57s	9.9	←
2.54s	10.8x	↖
2.50s	10.0	↘
2.69s	9.8	→
2.57s	9.0	→
2.54s	10.0	↖
2.60s	9.5	↘

Serie	93 (1x)
-------	----------

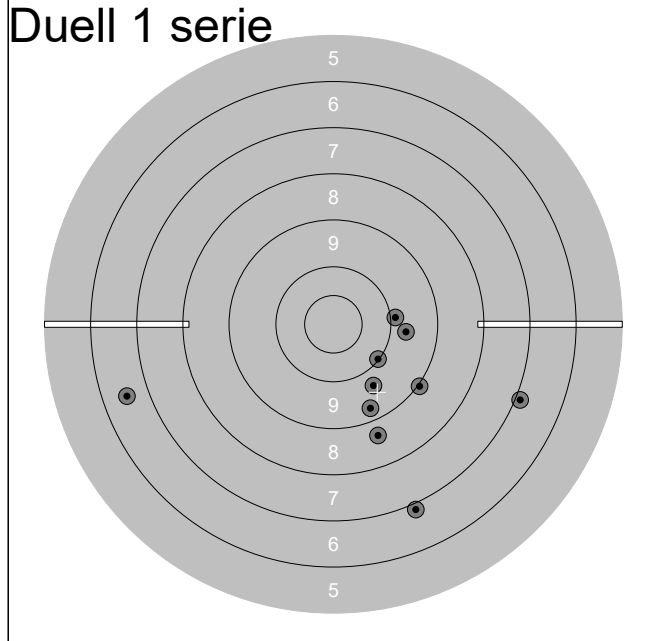
Total	451 (1x)
-------	-----------



2.78s	10.4	↗
2.78s	10.6x	←
2.45s	9.7	←
2.57s	10.3	↓
2.64s	9.2	→
2.47s	10.1	↖
2.62s	10.1	→
2.56s	9.7	→
2.46s	9.6	←
2.79s	9.6	←

Serie	95 (1x)
-------	----------

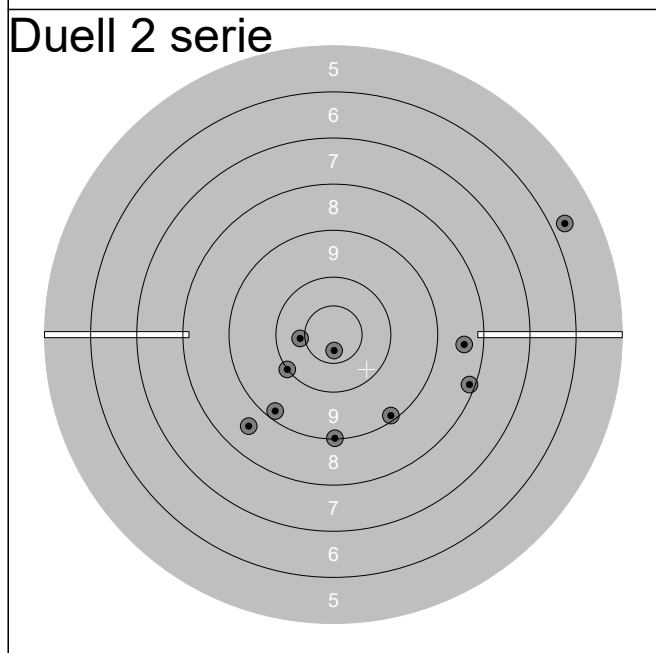
Total	546 (2x)
-------	-----------



2.44s	6.5	←
2.66s	9.7	→
2.16s	6.9	↘
2.17s	6.9	↘
1.84s	8.7	↘
2.23s	9.9	→
2.52s	10.0	↘
2.69s	9.3	↘
2.43s	9.0	↘
2.22s	9.7	↘

Serie 81 (0x)

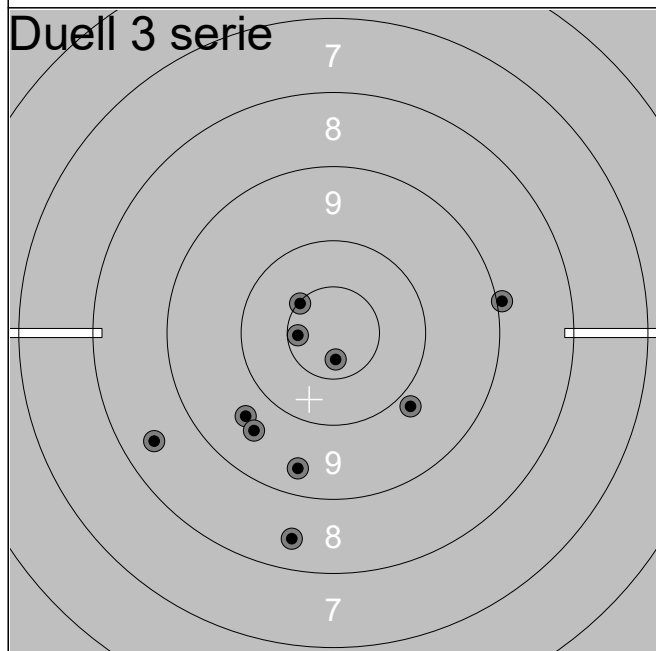
Total 350 (0x)



2.43s	10.4	←
2.52s	8.4	→
2.68s	8.6	↘
2.29s	9.2	↘
2.06s	10.0	←
2.24s	10.7x	↓
2.59s	5.7	→
2.50s	9.0	↓
2.22s	9.1	↘
2.71s	8.1	→

Serie 86 (1x)

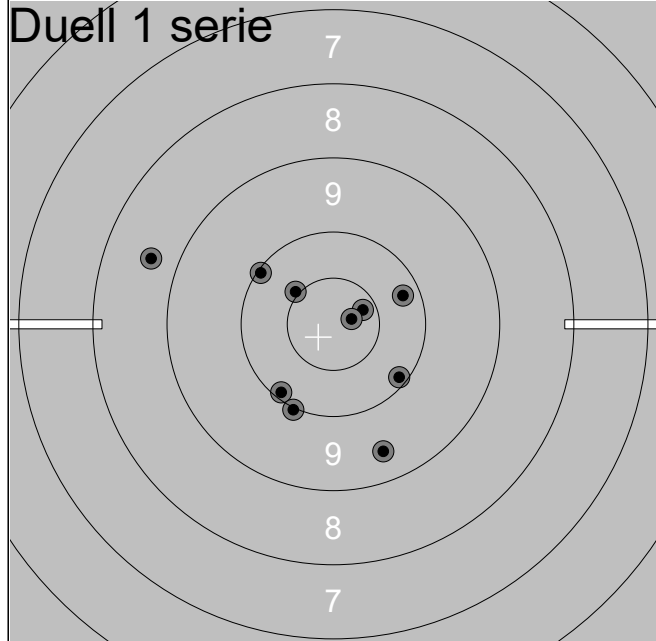
Total 436 (1x)



2.34s	10.6x	←
2.95s	9.4	↓
2.54s	8.9	→
2.31s	9.6	↘
2.54s	8.4	←
2.31s	10.7x	↓
1.79s	10.5x	↗
2.67s	8.4	↓
2.22s	9.6	↘
2.44s	9.8	↘

Serie 90 (3x)

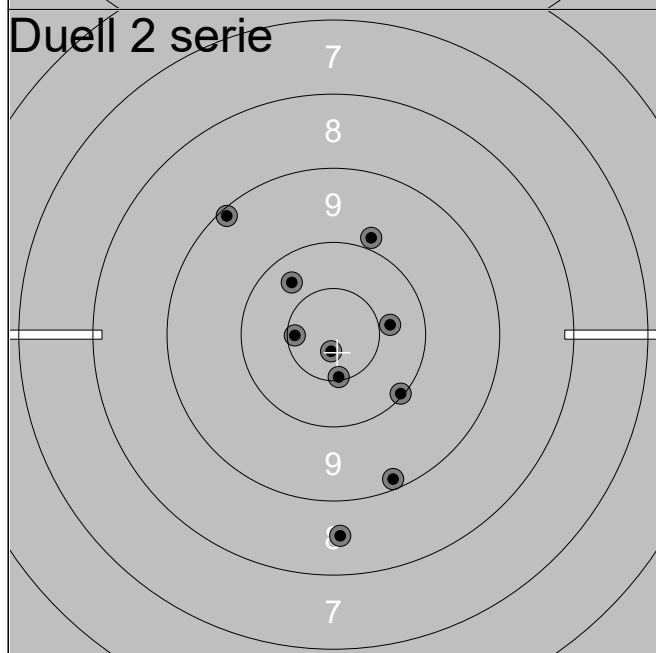
Total 526 (4x)



2.06s	10.2	→
2.19s	10.1	↓
2.02s	9.4	↓
2.08s	10.0	↓
2.06s	10.4x	↗
2.18s	10.1	↓
2.08s	10.6x	→
2.25s	10.8x	→
1.95s	10.0	↗
2.10s	8.6	←

Serie	97 (3x)
--------------	-----------------

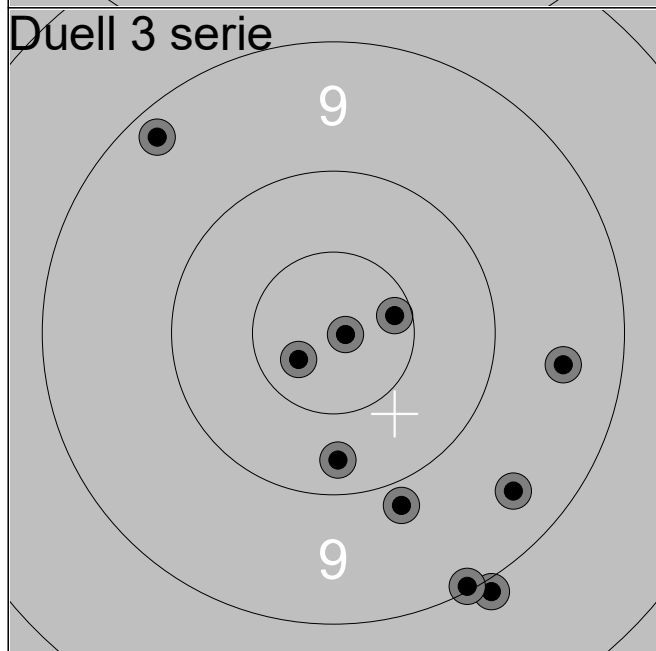
Total	366 (3x)
--------------	------------------



2.04s	9.9	↑
2.23s	9.2	↓
2.11s	10.6x	←
2.11s	10.3	↗
2.17s	9.1	↗
2.20s	10.5x	↓
2.21s	10.0	↓
2.16s	8.6	↓
2.09s	10.8x	↓
2.25s	10.4	→

Serie	95 (3x)
--------------	-----------------

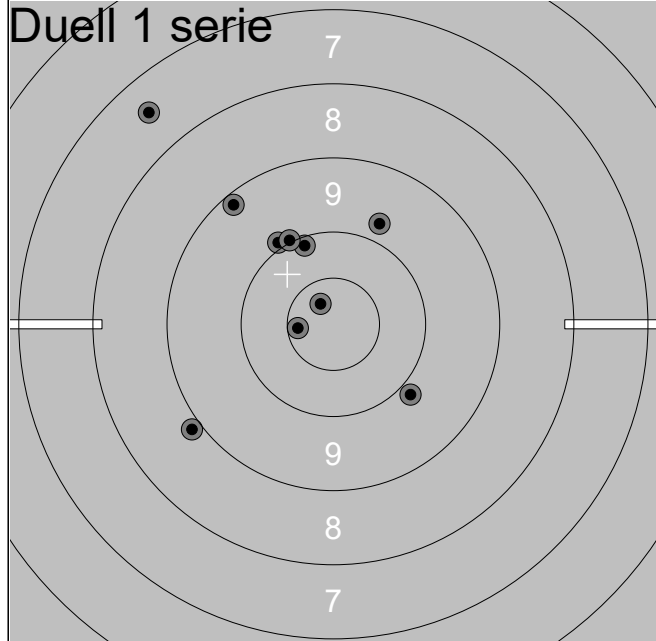
Total	461 (6x)
--------------	------------------



2.20s	8.9	↓
2.36s	9.8	↓
2.25s	10.2	↓
2.21s	10.6x	→
2.04s	10.7x	←
2.23s	9.5	→
2.11s	9.1	↓
2.09s	9.2	↗
2.16s	10.9x	→
2.15s	9.4	↓

Serie	93 (3x)
--------------	-----------------

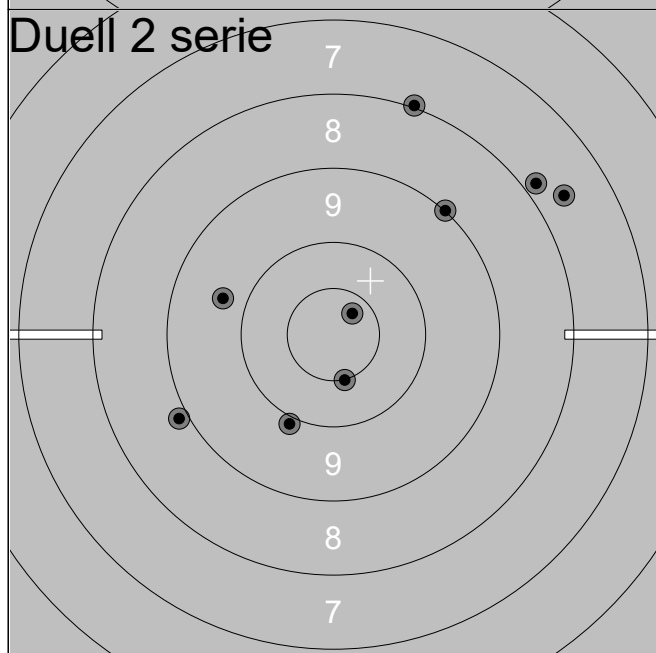
Total	554 (9x)
--------------	------------------



2.12s	10.1	↗
2.29s	9.9	↗
2.09s	8.9	↖
2.31s	10.6x	←
2.46s	9.9	↘
2.33s	10.7x	↗
2.31s	10.0	↗
2.21s	7.5	↗
2.43s	9.2	↗
2.22s	9.8	↗

Serie	91 (2x)
-------	----------

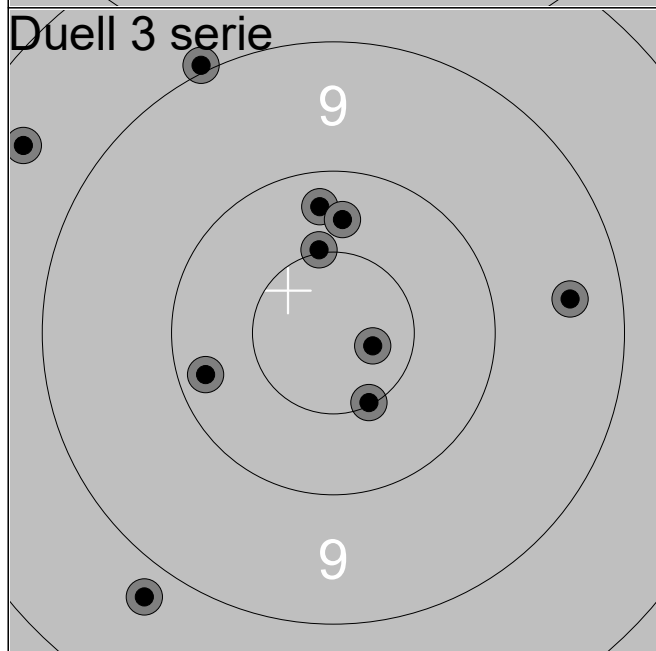
Total	360 (2x)
-------	-----------



2.31s	8.0	↗
2.27s	9.7	←
2.42s	8.9	←
2.27s	9.9	↘
2.31s	9.0	↗
2.29s	7.8	↗
2.31s	7.6	↗
2.48s	☒	
2.25s	10.5x	↘
2.29s	10.7x	↗

Serie	77 (2x)
-------	----------

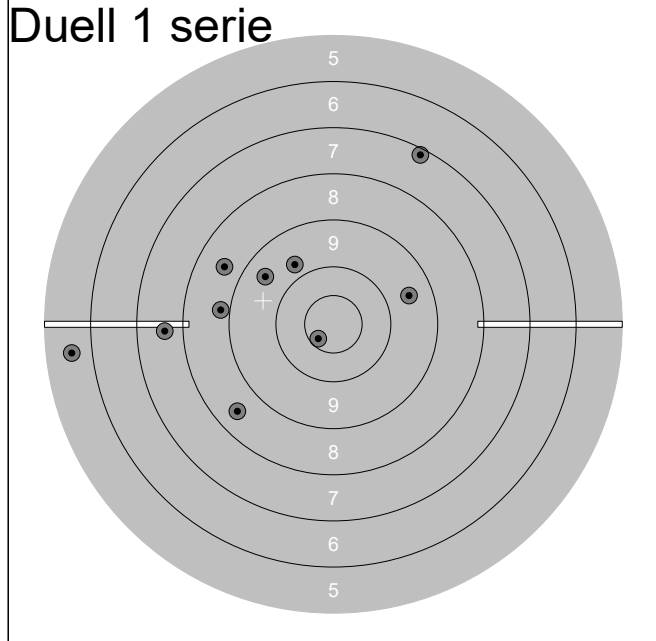
Total	437 (4x)
-------	-----------



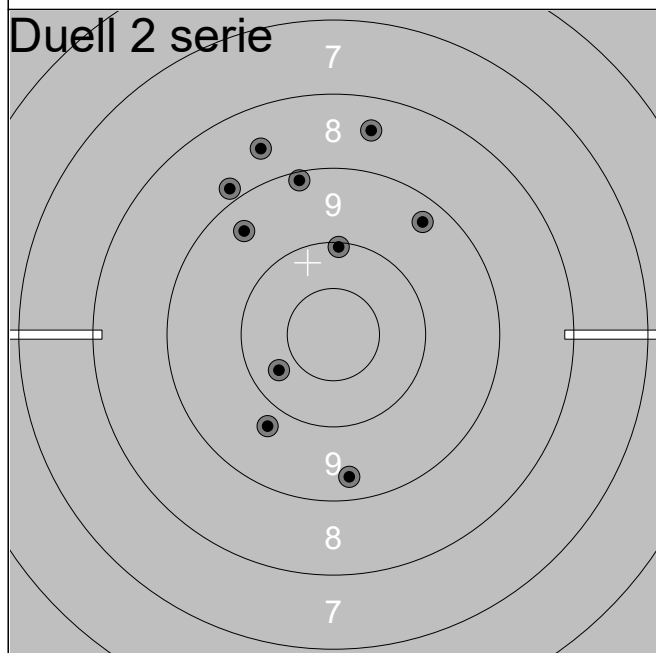
2.23s	9.0	↗
2.42s	10.7x	→
2.36s	10.2	↑
2.20s	8.8	↘
2.27s	9.4	→
2.20s	10.2	←
2.22s	10.3	↑
2.33s	10.5x	↘
2.17s	10.5x	↑
2.23s	8.5	↖

Serie	94 (3x)
-------	----------

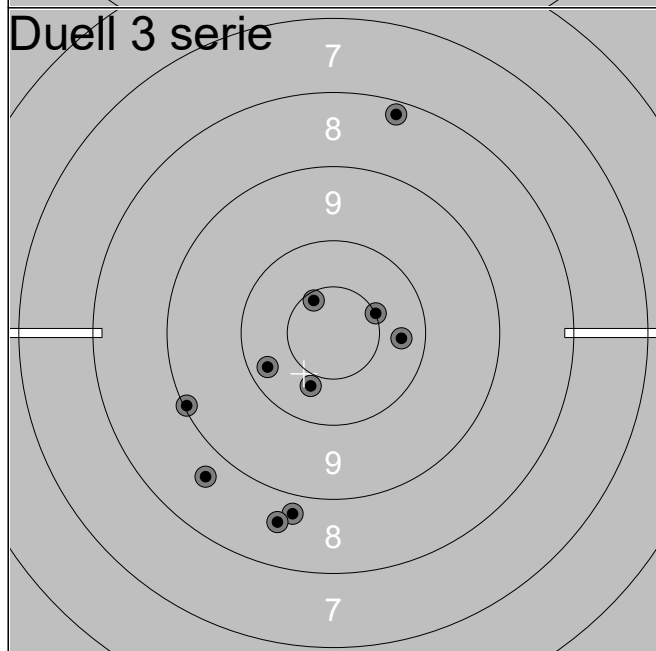
Total	531 (7x)
-------	-----------



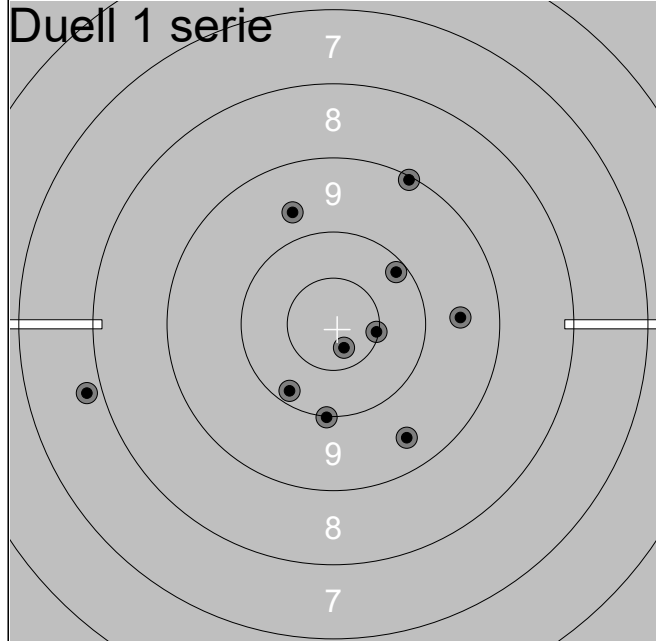
2.49s	7.1	↗
2.44s	10.6x	↘
2.39s	5.6	←
2.41s	9.7	↗
2.50s	8.5	↘
2.45s	9.5	→
2.47s	8.6	↖
2.50s	8.8	←
2.42s	9.5	↗
2.50s	7.6	←
Serie		80 (1x)
Total		349 (1x)



2.44s	10.3	↖
2.41s	9.4	↗
2.37s	8.8	↗
2.42s	10.1	↑
2.47s	8.6	↗
2.41s	9.3	↗
2.54s	9.1	↑
2.72s	9.3	↓
2.29s	9.7	↘
2.58s	8.5	↑
Serie		89 (0x)
Total		438 (1x)

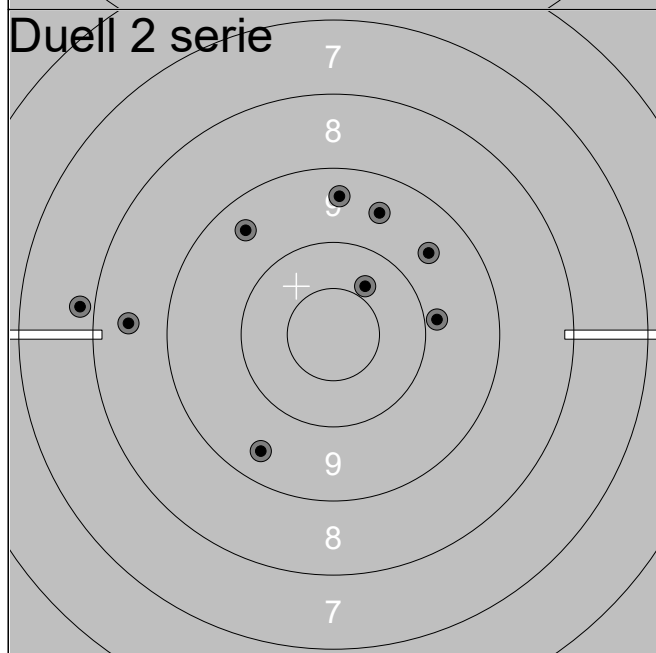


2.49s	8.2	↑
2.37s	8.7	↘
2.41s	8.8	↓
2.25s	8.6	↓
2.52s	9.1	←
2.39s	10.3	→
2.34s	10.2	←
2.57s	10.6x	↖
2.50s	10.4	↓
2.42s	10.5x	↗
Serie		91 (2x)
Total		529 (3x)



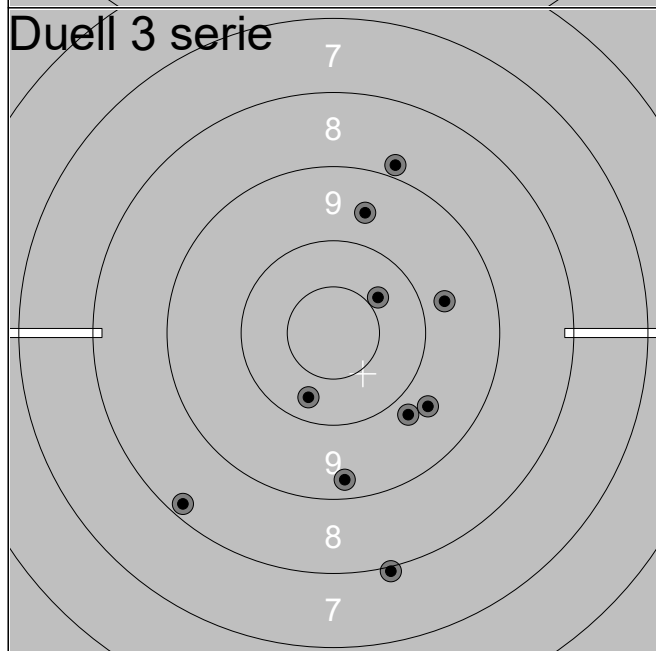
2.42s	10.7x	↓
2.37s	10.0	↓
2.58s	10.5x	→
2.37s	9.7	↑
2.18s	9.4	↓
2.52s	9.5	→
2.50s	7.8	←
2.36s	10.1	↗
2.20s	10.1	↘
2.29s	9.1	↑

Serie	93 (2x)
Total	361 (2x)



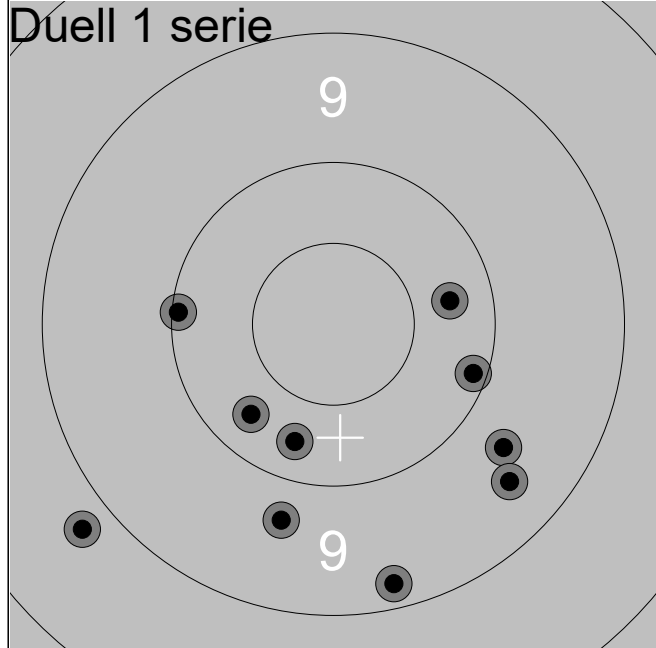
2.35s	7.8	←
2.48s	9.9	→
2.44s	9.4	↗
2.31s	8.5	←
2.13s	9.5	↑
2.25s	☒	
2.36s	9.4	↑
2.39s	9.6	↗
2.34s	10.4	↗
2.31s	9.4	↘

Serie	79 (0x)
Total	440 (2x)



2.54s	9.3	↓
2.36s	8.8	↑
2.39s	10.4	↗
2.35s	9.8	↘
2.25s	9.7	↘
2.25s	8.2	↘
2.42s	9.7	→
2.25s	9.6	↑
2.40s	10.2	↓
2.20s	8.0	↓

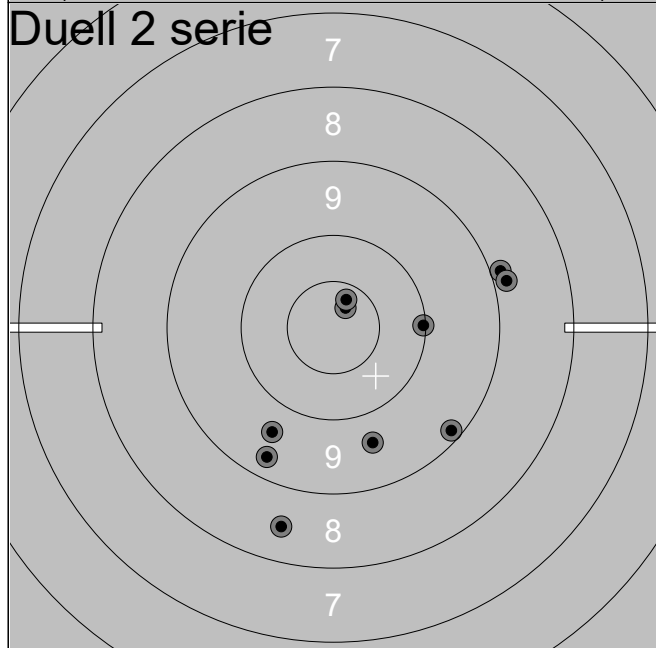
Serie	89 (0x)
Total	529 (2x)



2.73s	9.6	↘
2.83s	10.2	↓
2.60s	9.2	↘
2.50s	10.2	↘
2.44s	10.3	→
2.52s	10.1	→
2.66s	9.4	↘
2.63s	8.8	↙
2.72s	10.0	←
2.77s	9.7	↓

Serie **94 (0x)**

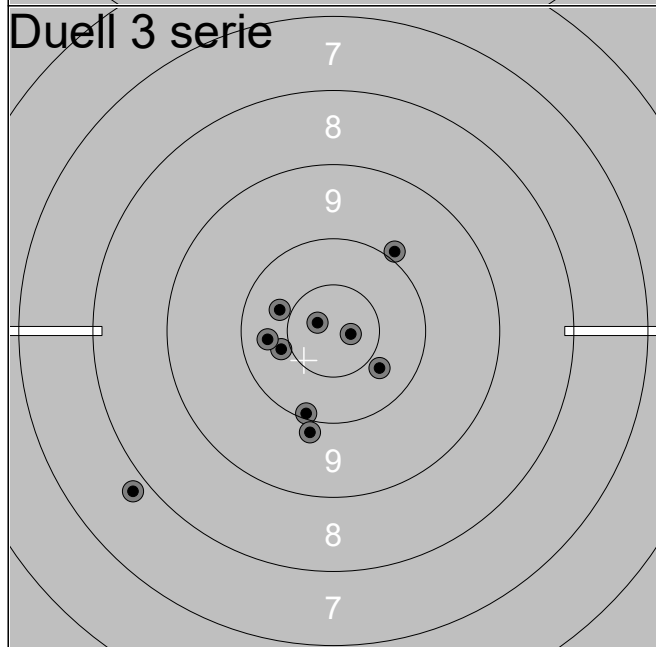
Total **362 (0x)**



2.69s	10.7x	↗
2.46s	8.9	→
2.56s	9.6	↓
2.43s	9.2	↘
2.68s	10.6x	↗
2.62s	9.3	↓
2.52s	9.6	↓
2.68s	8.8	→
2.57s	10.0	→
2.42s	8.5	↓

Serie **90 (2x)**

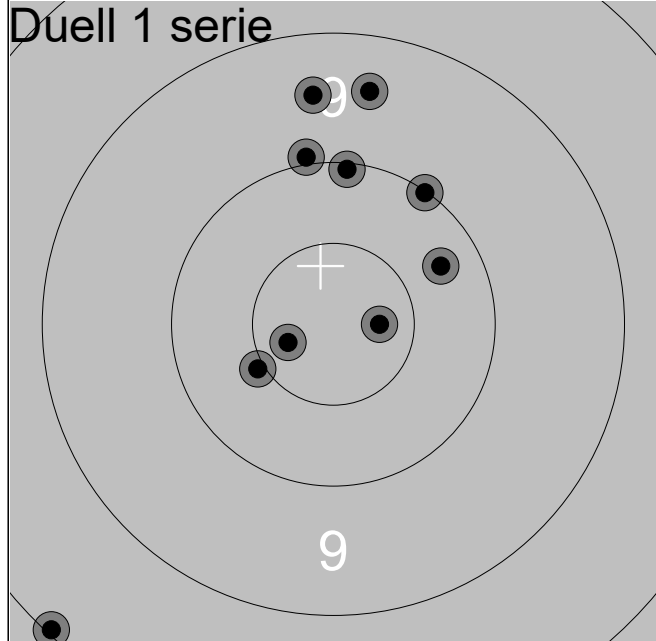
Total **452 (2x)**



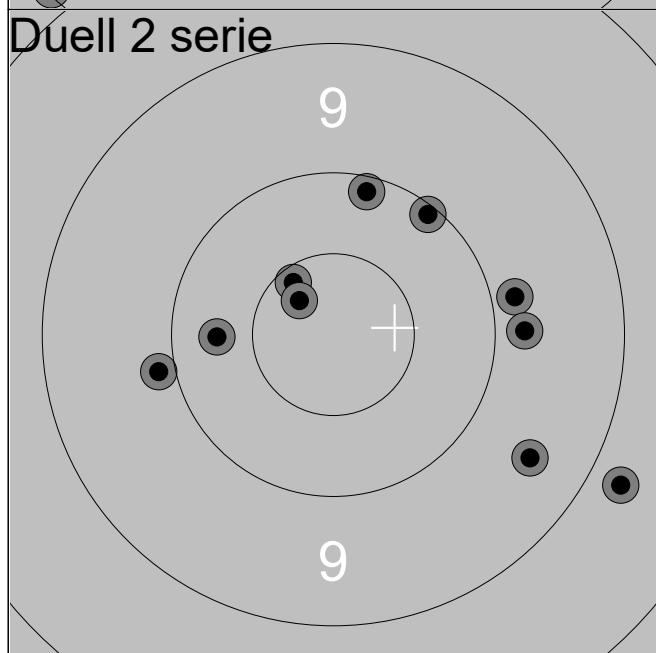
2.73s	10.4	↖
2.59s	10.4	↖
2.52s	10.1	↓
2.65s	7.8	↙
2.68s	9.9	↓
2.52s	10.8x	→
2.62s	10.3	↘
2.74s	9.9	↗
2.49s	10.3	←
2.54s	10.8x	↖

Serie **95 (2x)**

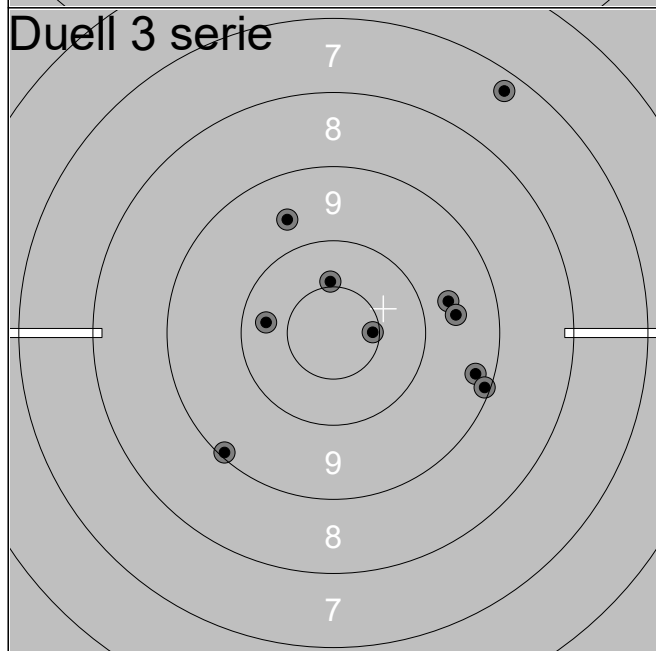
Total **547 (4x)**



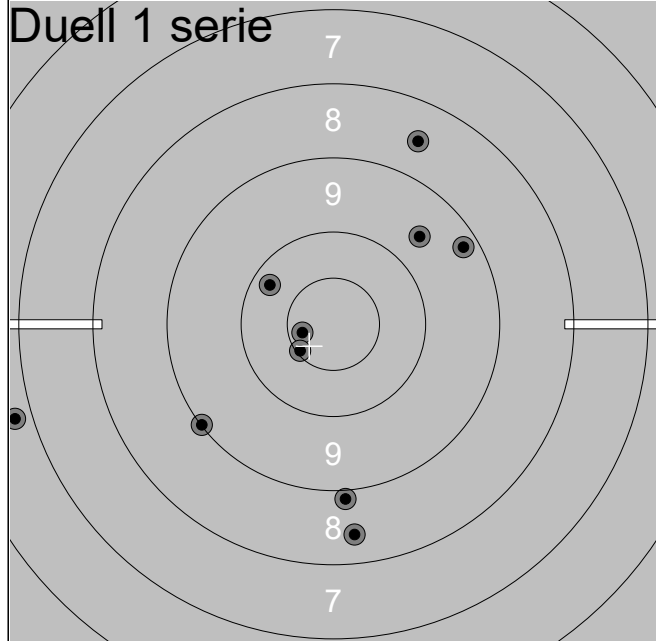
2.83s	10.2	↗
2.62s	9.4	↑
2.50s	10.4x	↖
2.46s	10.0	↑
2.56s	9.5	↑
2.58s	10.7x	↖
2.66s	8.1	↘
2.67s	10.0	↗
2.57s	10.0	↑
2.71s	10.7x	→
Serie	96 (3x)	
Total	363 (3x)	



2.66s	9.9	↖
2.73s	9.8	→
2.56s	10.1	↑
2.61s	10.1	↗
2.43s	10.6x	↗
2.52s	8.8	↘
2.50s	9.5	↘
2.59s	10.7x	↗
2.49s	9.8	→
2.59s	10.3	↖
Serie	94 (2x)	
Total	457 (5x)	

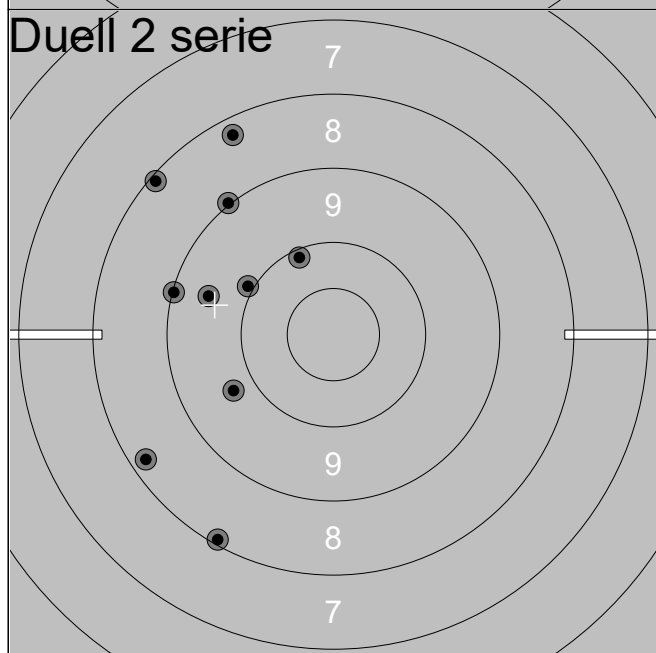


2.45s	9.7	→
2.69s	9.1	↘
2.69s	7.3	↗
2.46s	10.3	↖
2.54s	10.4	↑
2.52s	9.3	→
2.94s	9.6	→
2.67s	9.1	↘
2.62s	9.6	↑
2.39s	10.5x	→
Serie	91 (1x)	
Total	548 (6x)	



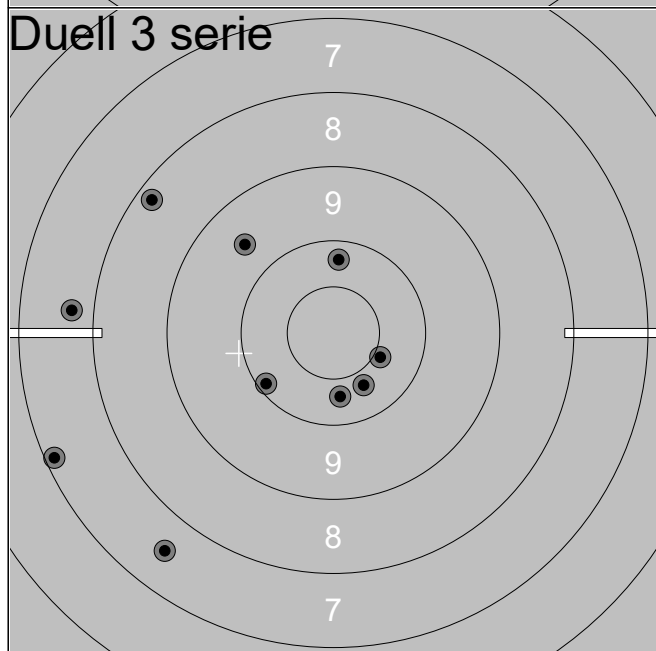
2.48s	9.6	↗
3.17s	8.5	↑
2.47s	8.4	↓
2.89s	6.8	←
2.47s	10.6x	←
2.52s	9.2	↗
2.43s	10.2	↖
2.42s	8.9	↓
2.33s	10.5x	↙
2.40s	9.0	↙

Serie	87 (2x)
Total	354 (2x)



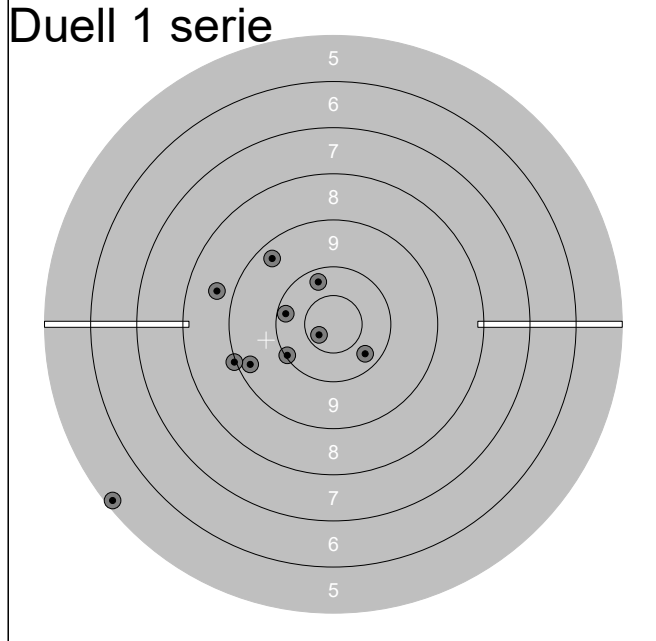
2.74s	8.3	↗
2.34s	9.9	↖
2.41s	10.1	↑
2.33s	8.1	↗
2.36s	8.2	↙
2.52s	9.0	↗
2.54s	9.0	←
2.38s	8.1	↓
2.34s	9.5	←
2.77s	9.7	↙

Serie	87 (0x)
Total	441 (2x)

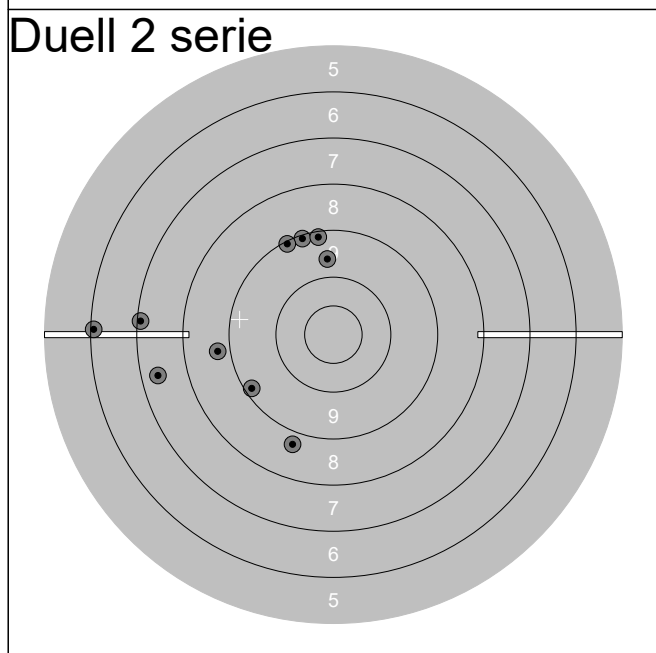


2.56s	7.7	←
2.64s	7.5	↙
2.91s	8.2	↗
3.14s	10.3	↓
2.54s	10.1	↙
2.54s	9.6	↗
2.70s	10.2	↑
3.01s	7.1	←
2.52s	10.3	↓
2.47s	10.4	↘

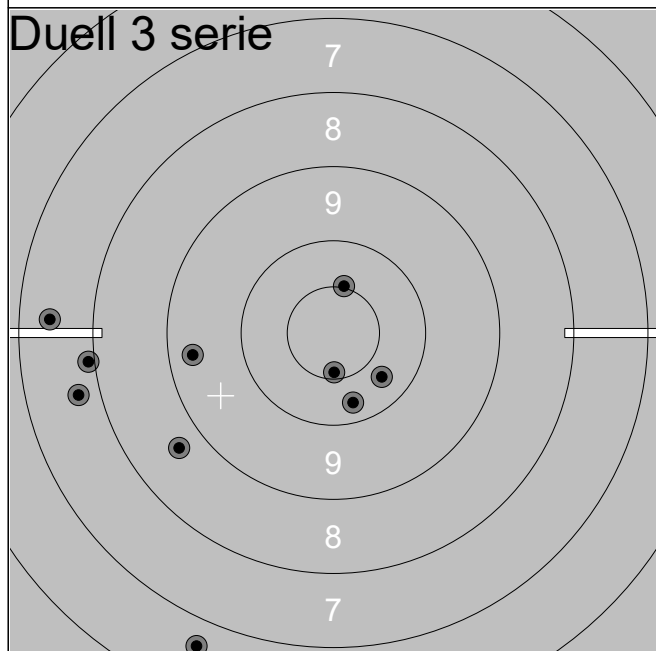
Serie	88 (0x)
Total	529 (2x)



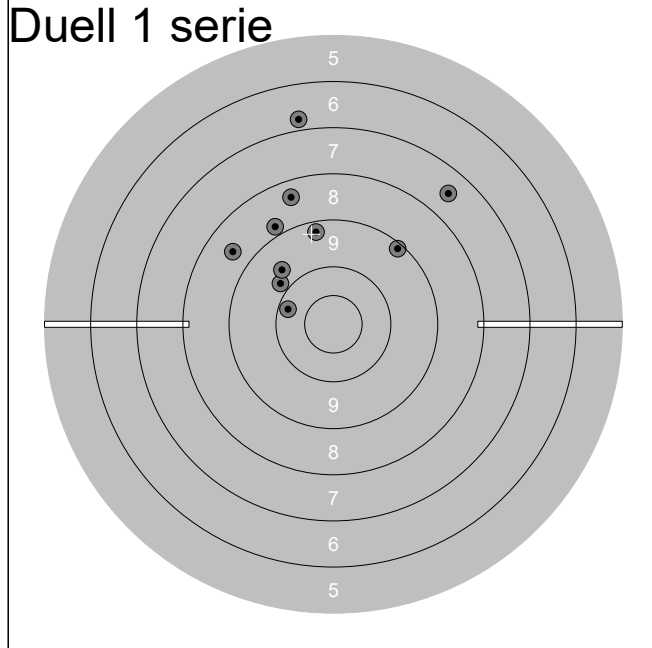
1.87s	9.3	↙
1.95s	5.2	↙
2.29s	10.0	↙
2.21s	10.7x	↙
2.08s	8.6	↙
2.25s	9.0	↙
2.50s	10.2	↙
2.16s	9.3	↗
1.83s	10.2	↗
2.44s	10.2	↘
Serie		90 (1x)
Total		357 (1x)



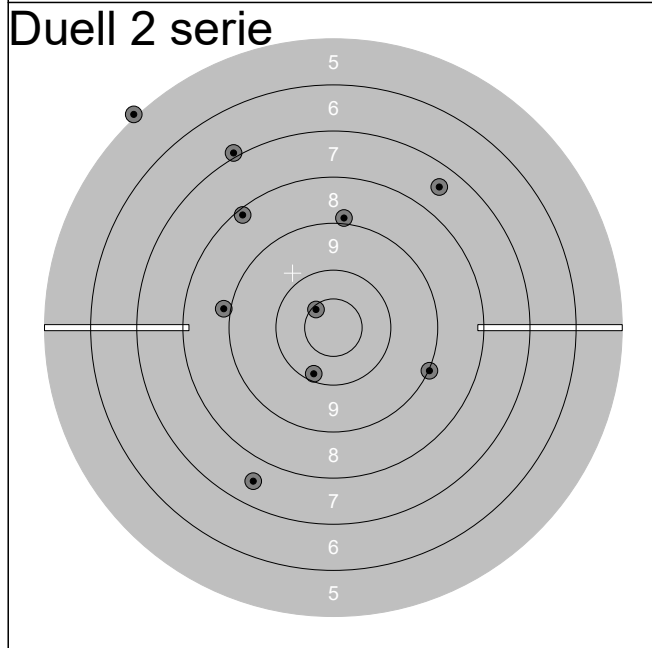
2.02s	9.1	↗
2.33s	9.1	↗
2.46s	9.1	↗
1.98s	8.7	↙
2.08s	8.7	↘
2.31s	6.1	↙
2.31s	7.1	↙
2.41s	9.2	↙
2.22s	7.4	↙
2.38s	9.6	↗
Serie		81 (0x)
Total		438 (1x)



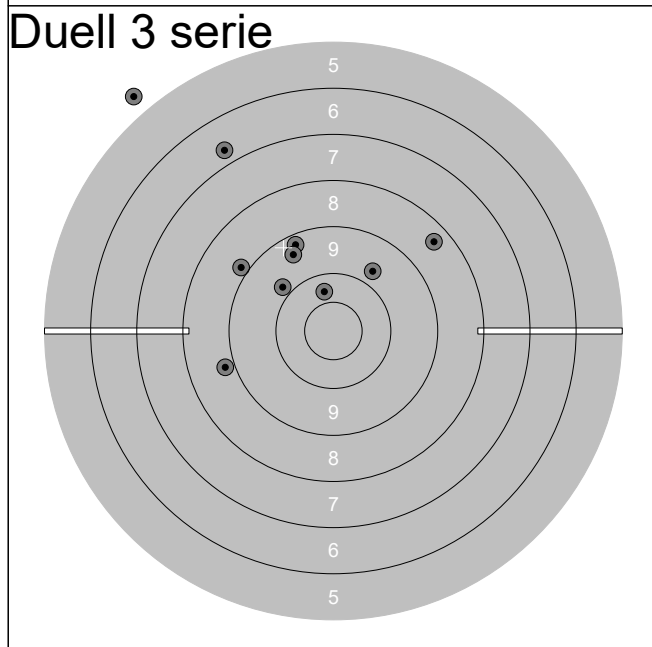
2.46s	6.7	↘
2.38s	7.9	↙
2.04s	7.4	↙
2.46s	10.5x	↗
2.10s	7.7	↙
2.17s	9.3	↙
2.06s	8.7	↙
2.25s	10.3	↘
2.29s	10.5x	↘
2.44s	10.2	↘
Serie		84 (2x)
Total		522 (3x)



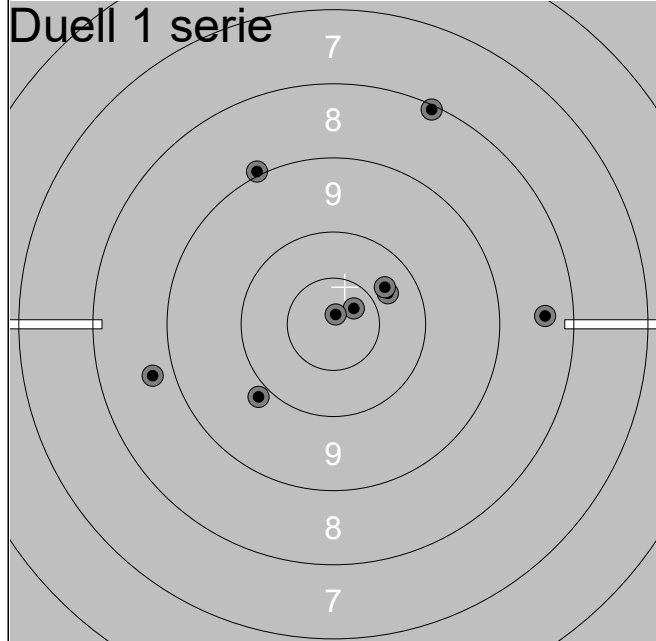
2.27s	6.8	↑
2.25s	9.8	↖
2.27s	9.6	↖
2.42s	8.4	↑
2.17s	9.1	↗
2.17s	10.2	←
2.44s	7.5	↗
2.33s	9.2	↑
2.31s	8.6	↖
2.39s	8.8	↖
Serie		83 (0x)
Total		350 (0x)



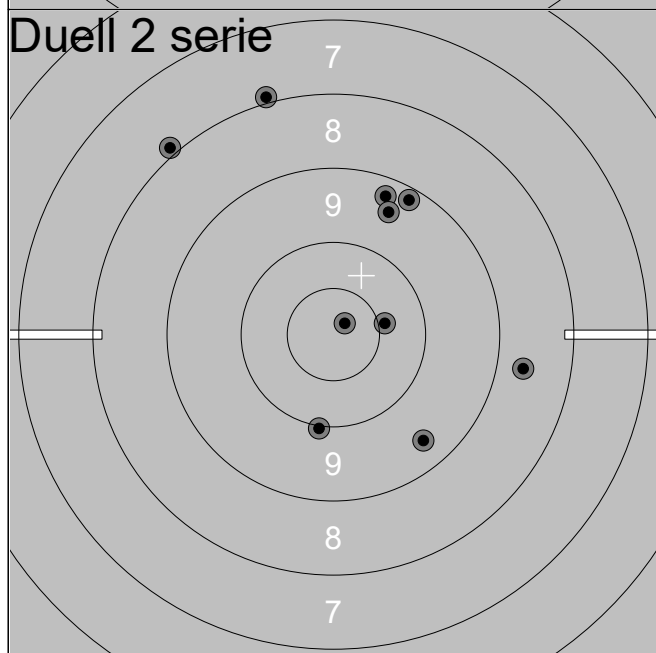
2.02s	8.9	↑
2.42s	9.0	→
2.37s	7.5	↓
2.27s	8.1	↖
2.17s	10.5x	↖
2.27s	6.9	↖
2.12s	8.9	←
2.31s	7.5	↗
2.41s	0.0	↖
2.24s	10.1	↓
Serie		73 (1x)
Total		423 (1x)



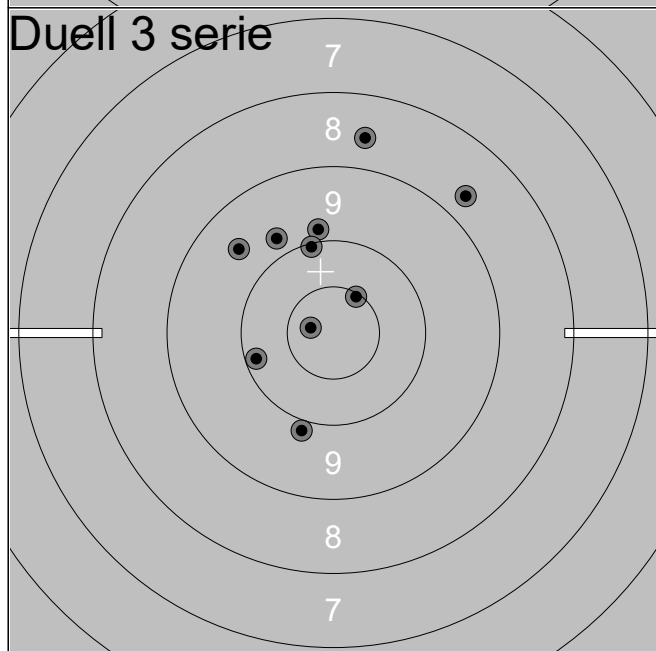
2.41s	9.2	↖
2.27s	9.4	↖
2.27s	10.3	↑
2.46s	9.8	↖
2.27s	6.7	↖
2.38s	8.8	←
2.20s	8.8	↖
2.19s	9.7	↖
2.33s	0.0	↖
2.06s	8.4	↖
Serie		76 (0x)
Total		499 (1x)



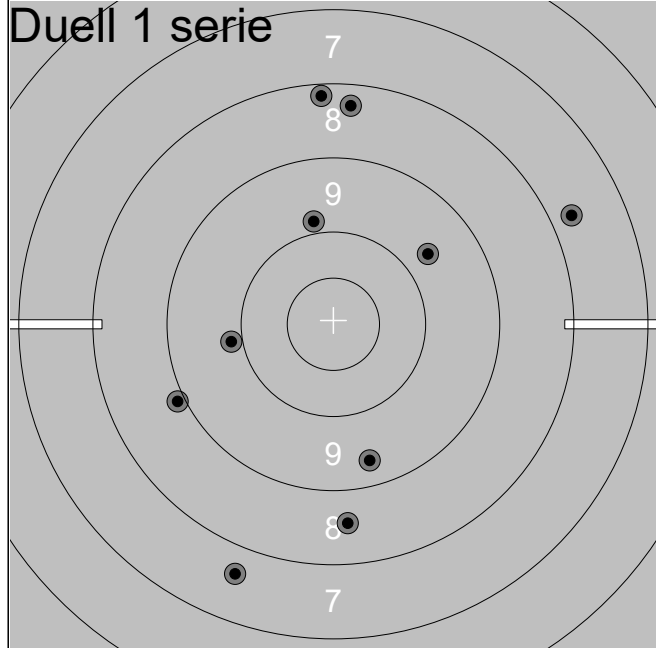
2.42s	☐	
2.40s	8.7	←
2.52s	10.3	↗
2.45s	10.3	↗
2.42s	10.7x	↗
2.56s	8.1	↗
2.39s	9.0	↖
2.36s	10.8x	↗
2.38s	8.4	→
2.20s	9.9	↘
Serie		82 (2x)
Total		348 (2x)



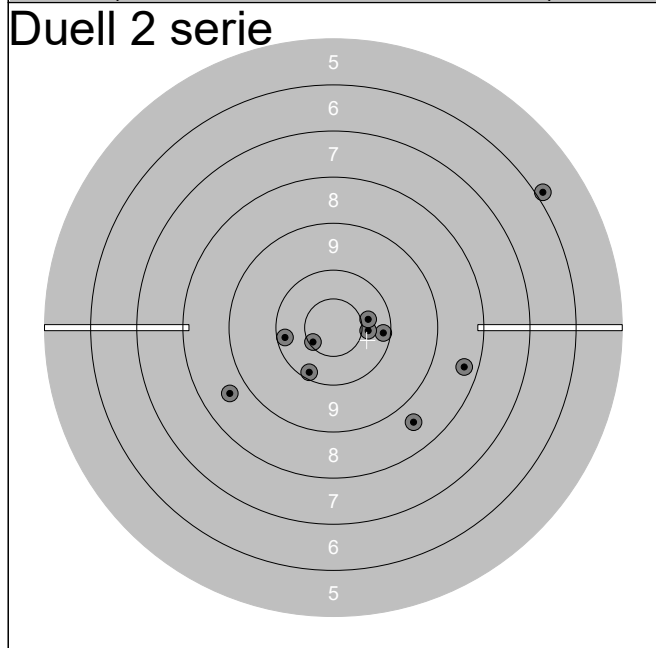
2.25s	9.3	↗
2.27s	9.5	↗
2.34s	10.0	↓
2.22s	9.4	↘
2.23s	10.4	→
2.42s	7.9	↖
2.31s	8.7	→
2.20s	7.9	↗
2.21s	9.2	↗
2.37s	10.8x	↗
Serie		88 (1x)
Total		436 (3x)



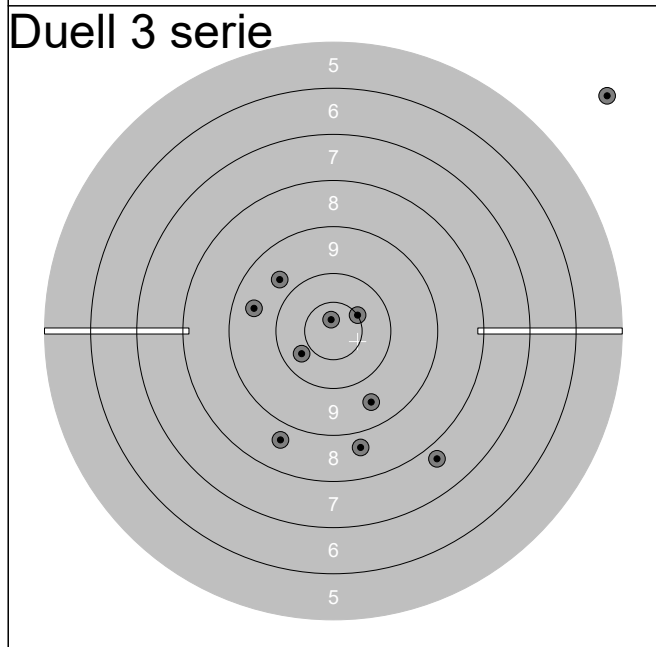
2.49s	9.6	↖
2.06s	8.7	↗
2.38s	9.9	↗
2.52s	10.1	←
2.24s	9.9	↓
2.27s	10.5x	↗
2.41s	10.7x	←
2.20s	10.0	↗
2.27s	9.8	↖
2.38s	8.6	↗
Serie		92 (2x)
Total		528 (5x)



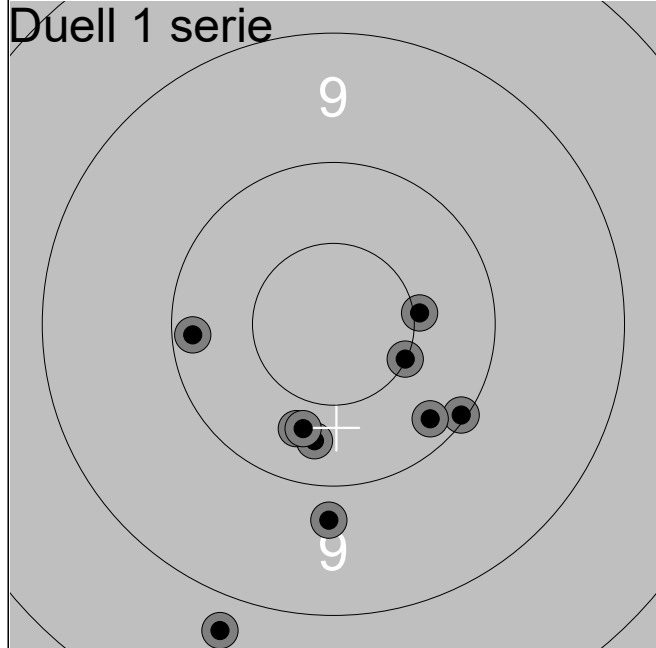
2.50s	8.3	↑
2.59s	8.2	↑
2.11s	7.7	→
2.20s	9.9	←
2.02s	9.4	↓
2.04s	9.9	↑
2.29s	8.9	←
2.14s	9.7	↗
2.27s	8.6	↓
2.22s	7.6	↓
Serie		82 (0x)
Total		348 (0x)



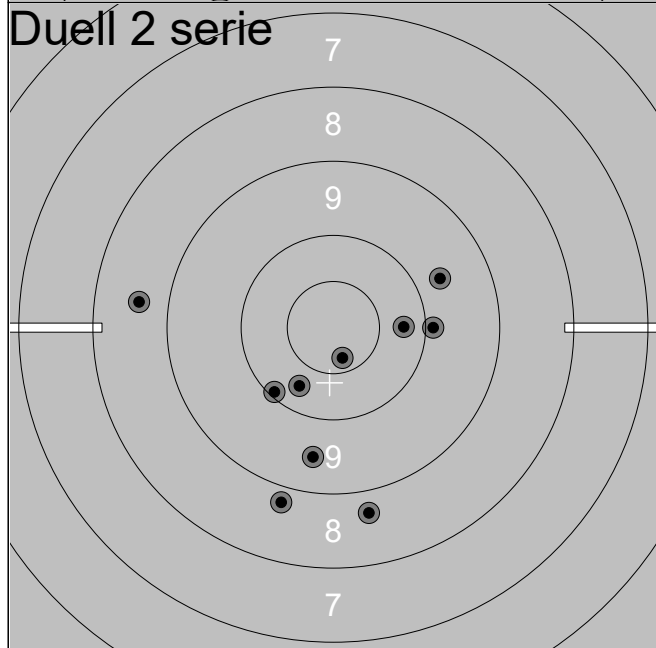
2.04s	10.1	↓
2.20s	10.1	←
2.25s	10.5x	←
2.63s	5.9	↗
2.37s	10.1	→
2.41s	8.6	←
2.22s	8.3	→
2.39s	10.4	→
2.47s	10.4	→
2.46s	8.6	↓
Serie		89 (1x)
Total		437 (1x)



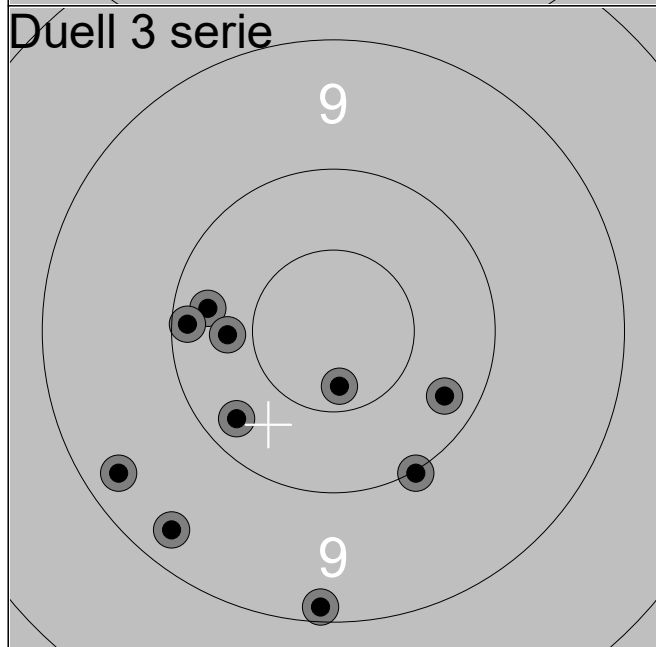
2.16s	10.8x	↑
2.20s	7.7	↓
2.64s	0.0	↗
2.36s	9.7	↗
2.19s	8.7	↓
2.18s	9.5	←
2.31s	10.5x	↗
2.39s	8.6	↓
2.29s	9.5	↓
2.19s	10.3	←
Serie		80 (2x)
Total		517 (3x)



2.52s	9.8	↓
2.47s	10.3	↓
2.47s	10.1	←
2.69s	8.7	↓
2.50s	10.3	↓
2.40s	10.0	↘
2.42s	10.5x	→
2.54s	10.4x	→
2.54s	10.3	↓
2.50s	10.2	↘
Serie		97 (2x)
Total		363 (2x)



2.24s	9.9	→
2.46s	9.7	↗
2.54s	8.8	↓
2.48s	8.7	↓
2.31s	10.3	↓
2.54s	10.1	↙
2.52s	10.2	→
2.34s	10.6x	↓
2.52s	8.6	←
2.45s	9.5	↓
Serie		91 (1x)
Total		454 (3x)

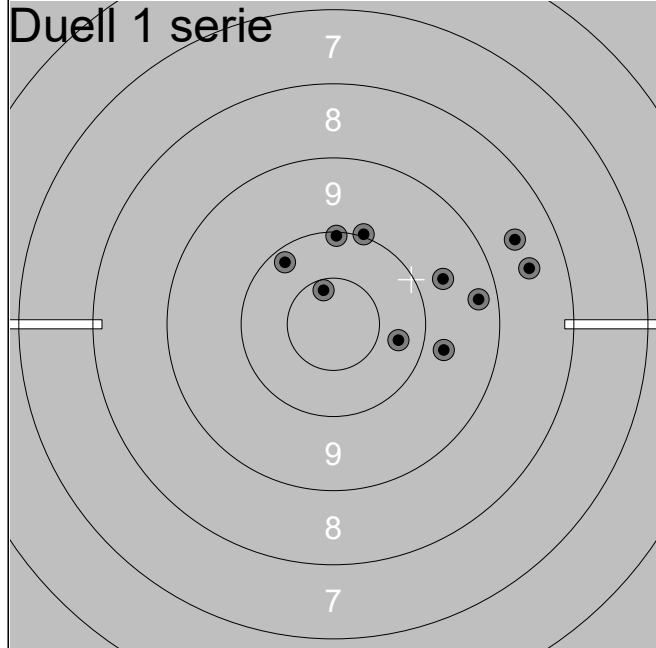


2.59s	10.2	↙
2.81s	10.2	←
2.36s	10.0	↓
2.50s	10.1	←
2.38s	10.3	←
2.59s	10.2	↘
2.36s	9.3	↙
2.48s	10.6x	↓
2.38s	9.3	↙
2.29s	9.1	↓
Serie		97 (1x)
Total		551 (4x)

Lag 2	Skive 29	Tom Buene
-----------------	--------------------	------------------

Finpistol Duell	Vaksdal SSK	V55
-----------------	-------------	-----

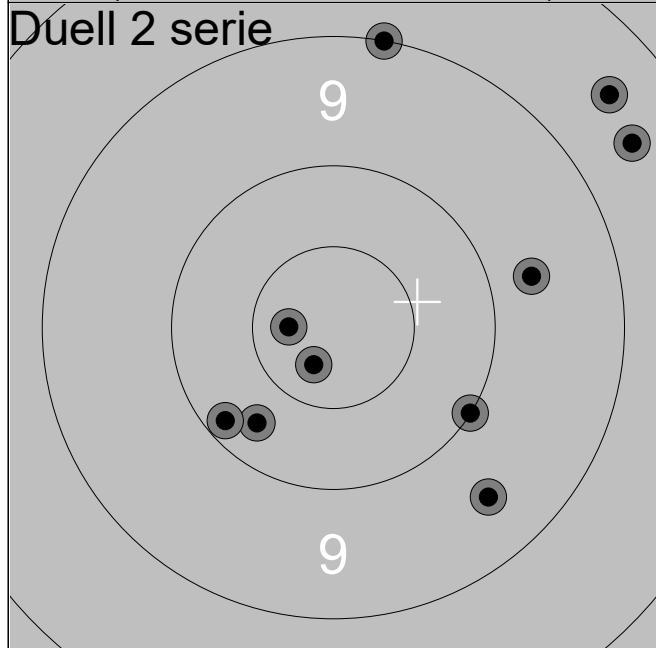
23.06.2019	NM bane 2019	NM Pistol 2019
------------	--------------	----------------



2.46s	10.1	↖
2.59s	10.0	↑
2.50s	9.3	→
2.45s	8.6	↗
2.63s	9.7	→
2.54s	9.7	↗
2.48s	10.6x	↑
2.50s	10.0	↑
2.68s	8.5	→
2.40s	10.3	→

Serie	93 (1x)
-------	----------

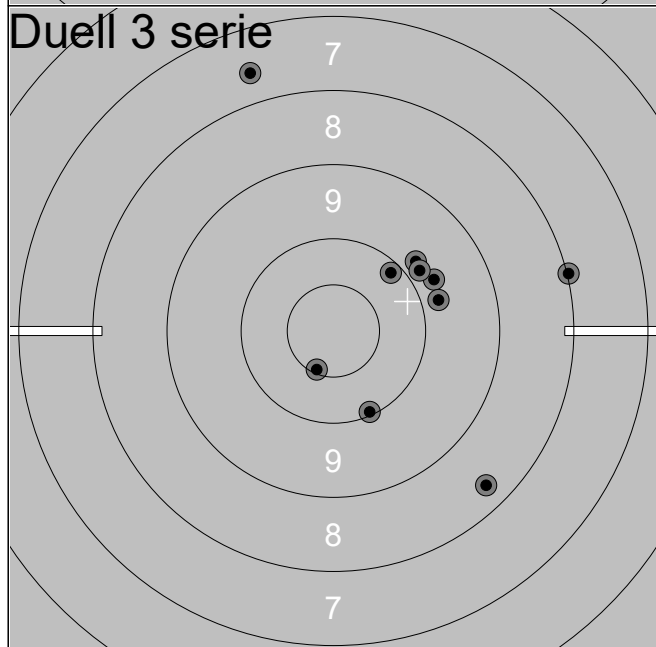
Total	359 (1x)
-------	-----------



2.36s	10.7x	←
2.48s	10.2	↙
2.67s	9.5	↘
2.73s	10.7x	↙
2.70s	9.7	→
2.37s	9.0	↑
2.54s	8.5	↗
2.54s	8.6	↗
2.59s	10.0	↘
2.68s	10.1	↙

Serie	93 (2x)
-------	----------

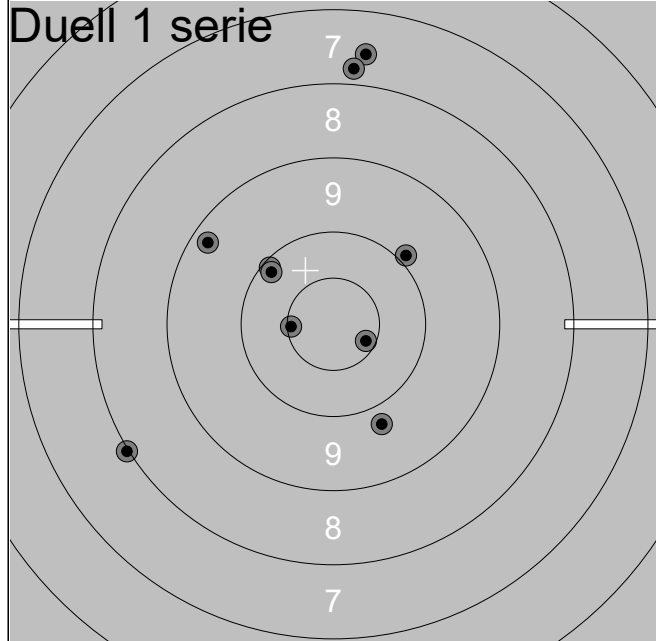
Total	452 (3x)
-------	-----------



2.35s	10.5x	↙
2.42s	8.0	→
2.41s	10.1	↗
2.68s	9.7	↗
2.74s	9.8	↗
2.29s	9.8	→
2.37s	9.8	↗
2.91s	7.6	↑
2.60s	8.3	↘
2.59s	10.0	↘

Serie	89 (1x)
-------	----------

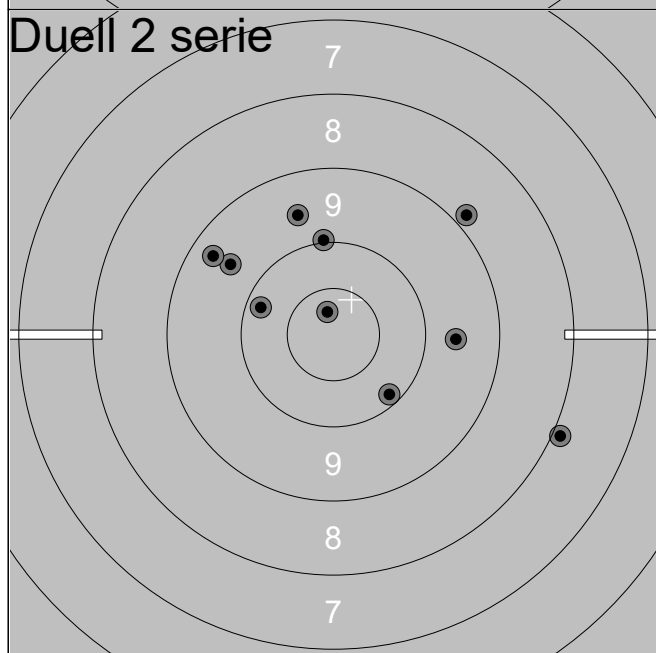
Total	541 (4x)
-------	-----------



2.59s	7.6	↑
3.13s	9.8	↓
2.79s	9.2	↗
2.56s	8.0	↖
2.46s	10.1	↗
2.57s	7.8	↑
2.46s	10.1	↗
2.49s	9.9	↗
2.27s	10.6x	↘
2.21s	10.5x	←

Serie	89 (2x)
-------	----------

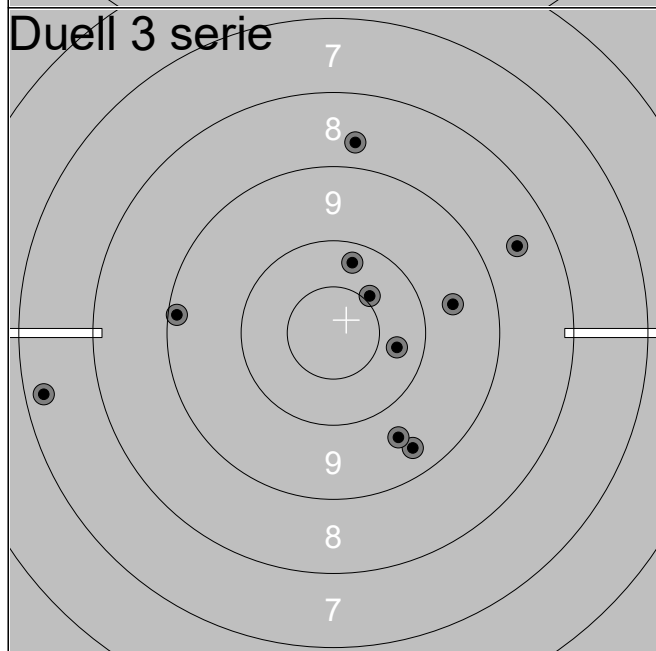
Total	354 (2x)
-------	-----------



2.71s	9.6	↑
2.38s	10.0	↑
2.49s	8.8	↗
2.50s	10.7x	↑
2.60s	9.6	↗
2.66s	10.2	←
2.40s	9.3	↗
2.42s	7.9	↘
2.62s	10.1	↘
2.50s	9.6	→

Serie	91 (1x)
-------	----------

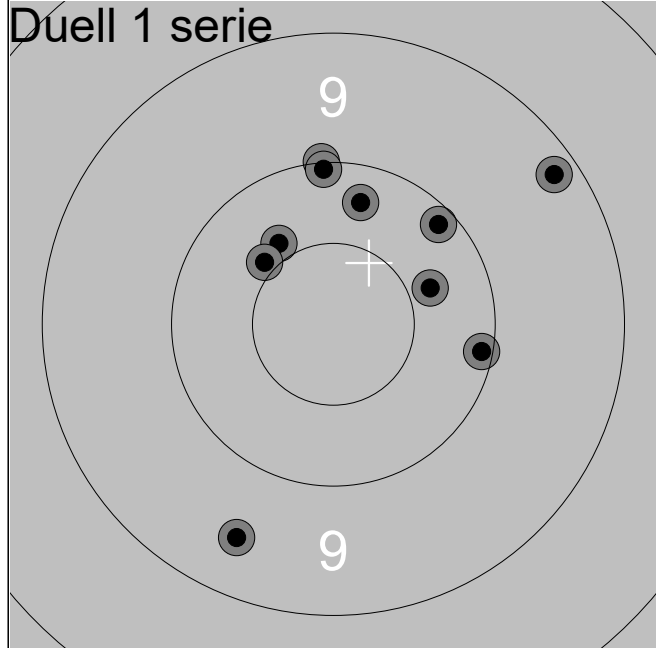
Total	445 (3x)
-------	-----------



2.34s	10.2	↑
2.52s	9.1	←
2.67s	8.7	↑
2.38s	10.4	↗
2.24s	9.6	→
2.40s	9.4	↘
2.36s	10.3	→
2.57s	8.5	↗
2.31s	9.6	↘
2.69s	7.3	←

Serie	89 (0x)
-------	----------

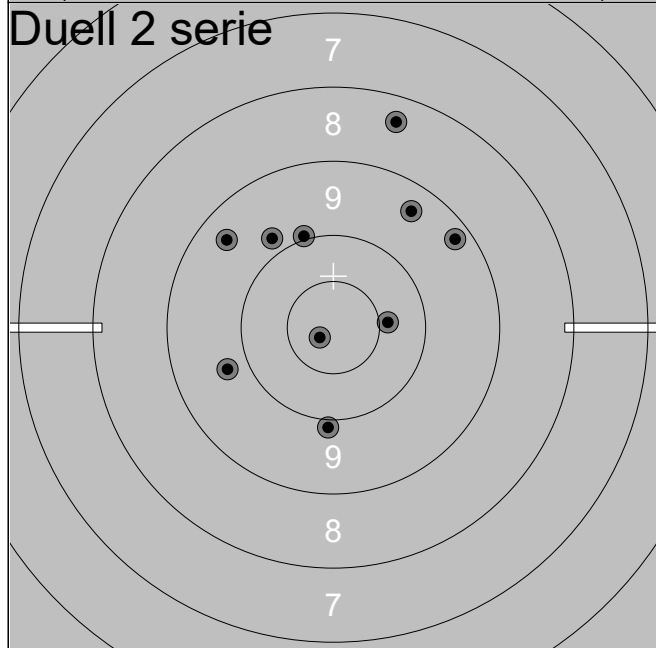
Total	534 (3x)
-------	-----------



2.42s	10.1	↗
2.44s	10.4	↖
2.50s	10.2	↑
2.45s	10.4	↖
2.45s	10.1	→
2.37s	9.2	↗
2.46s	9.5	↓
2.41s	10.0	↑
2.33s	10.3	↗
2.48s	10.0	↑

Serie 98 (0x)

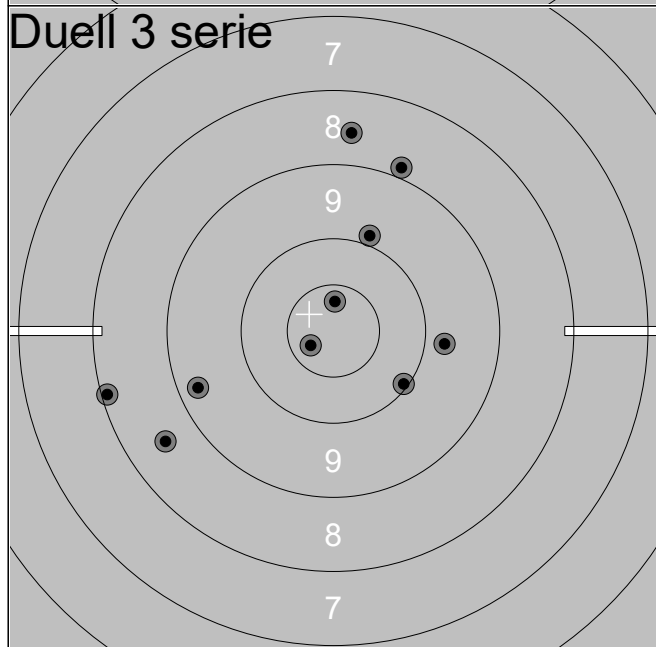
Total 361 (0x)



2.35s	10.0	↑
2.38s	9.2	↗
2.49s	10.8x	↖
2.42s	10.4	→
2.27s	9.8	↖
2.42s	9.4	↗
2.38s	9.9	↓
2.31s	9.7	↖
2.29s	9.4	↖
2.23s	8.4	↑

Serie 92 (1x)

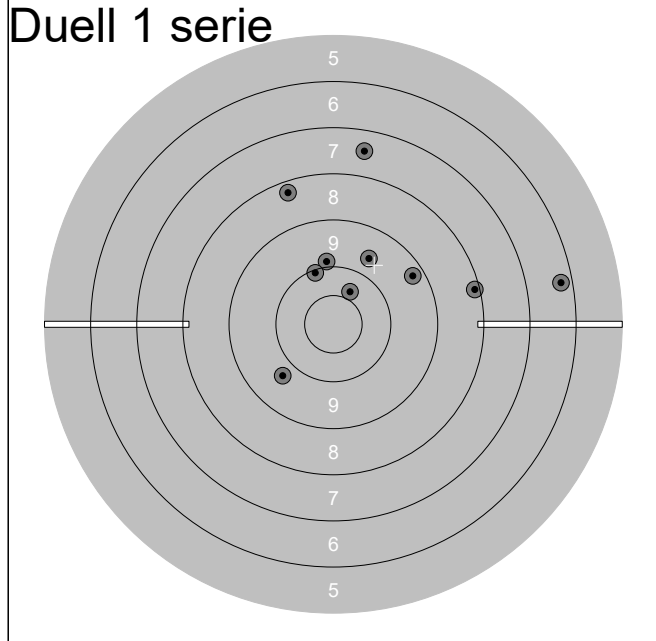
Total 453 (1x)



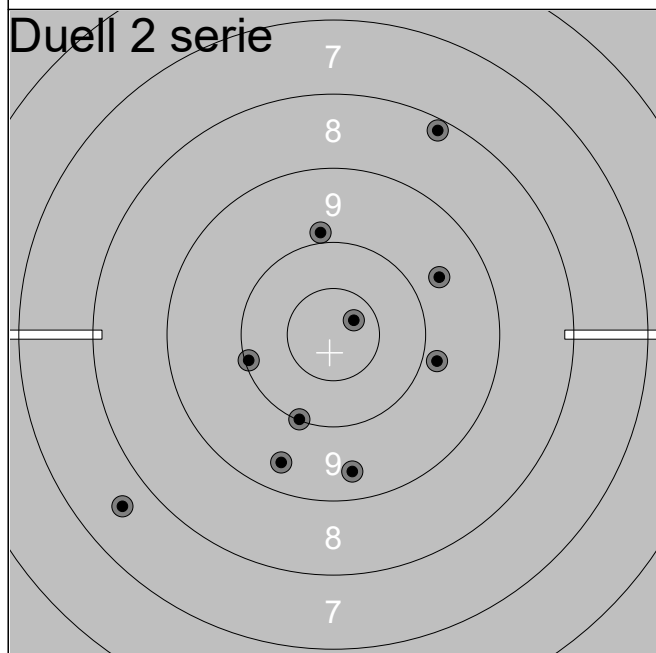
2.54s	8.6	↖
2.47s	8.6	↑
2.56s	8.1	↖
2.44s	10.6x	↑
2.31s	10.0	↘
2.22s	9.9	↑
2.31s	9.8	→
2.44s	9.3	↖
2.52s	8.9	↑
2.42s	10.7x	↖

Serie 89 (2x)

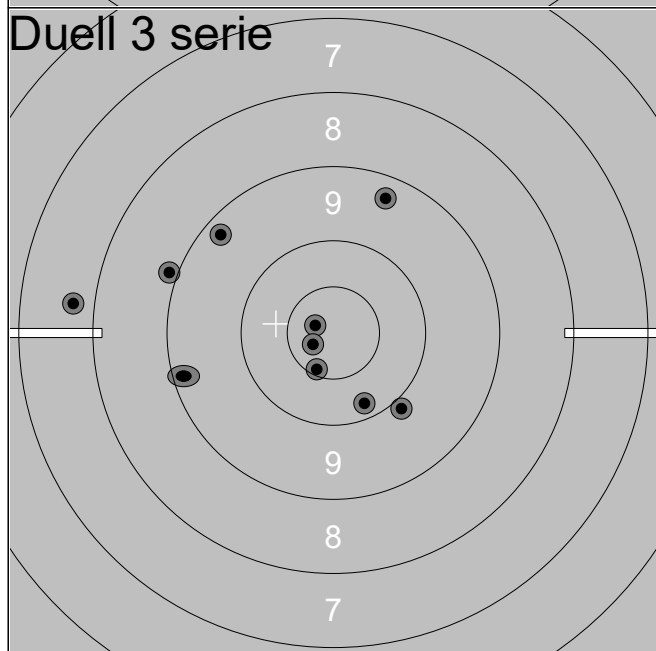
Total 542 (3x)



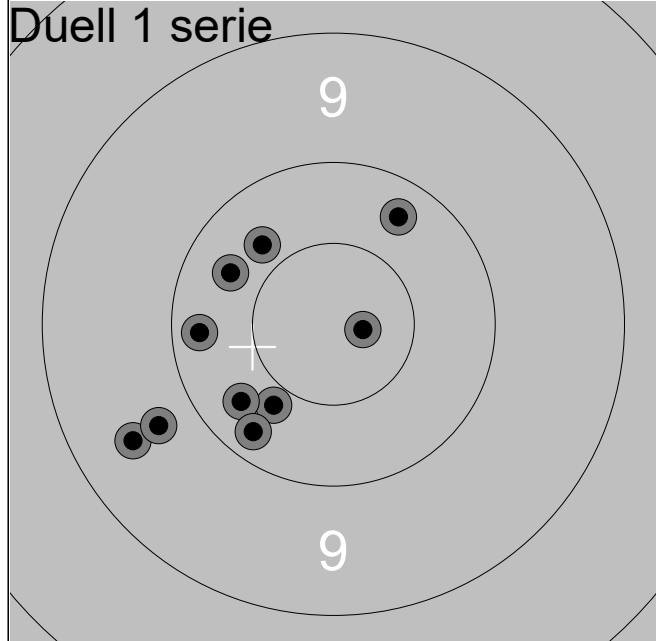
2.94s	8.3	↗
3.00s	10.4	↗
2.93s	9.6	↗
2.79s	9.9	↑
2.97s	9.3	↗
2.89s	6.3	→
2.93s	8.1	→
2.96s	10.1	↑
2.70s	9.7	↙
2.98s	7.5	↑
Serie		85 (0x)
Total		371 (0x)



2.90s	9.9	↑
2.86s	10.0	←
2.81s	7.6	↙
2.86s	10.7x	↗
2.94s	9.4	↓
3.12s	9.6	↗
2.80s	9.8	→
3.09s	8.2	↗
2.73s	9.4	↓
2.94s	10.0	↓
Serie		90 (1x)
Total		461 (1x)



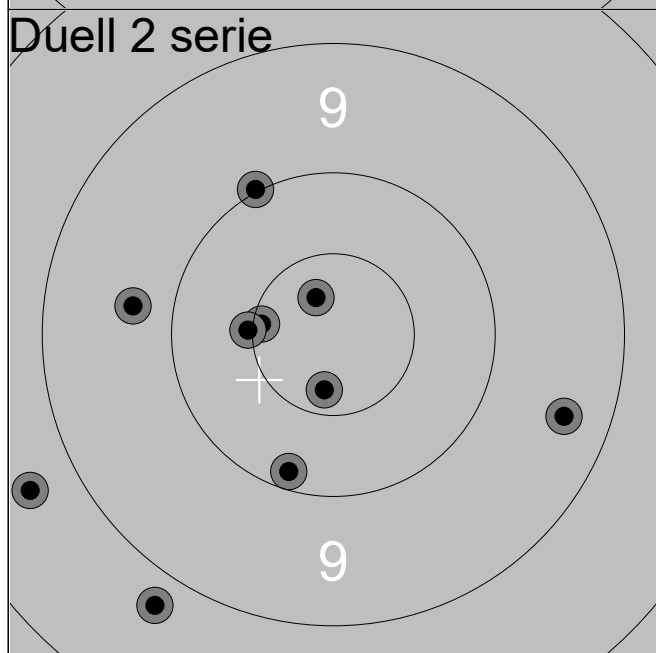
2.66s	9.3	↗
2.99s	10.5x	↓
2.77s	10.7x	←
0.01s	✂	↙
2.79s	9.2	↗
2.85s	9.9	↙
2.76s	8.9	←
2.67s	10.2	↓
2.73s	10.7x	←
2.68s	7.7	←
Serie		82 (3x)
Total		543 (4x)



2.58s	10.8x	→
2.72s	10.3	↖
2.81s	9.5	←
2.61s	10.4	↓
2.60s	9.7	↙
2.61s	10.3	↖
2.50s	10.2	←
2.60s	10.2	↙
2.57s	10.2	↙
2.62s	10.2	↗

Serie **98 (1x)**

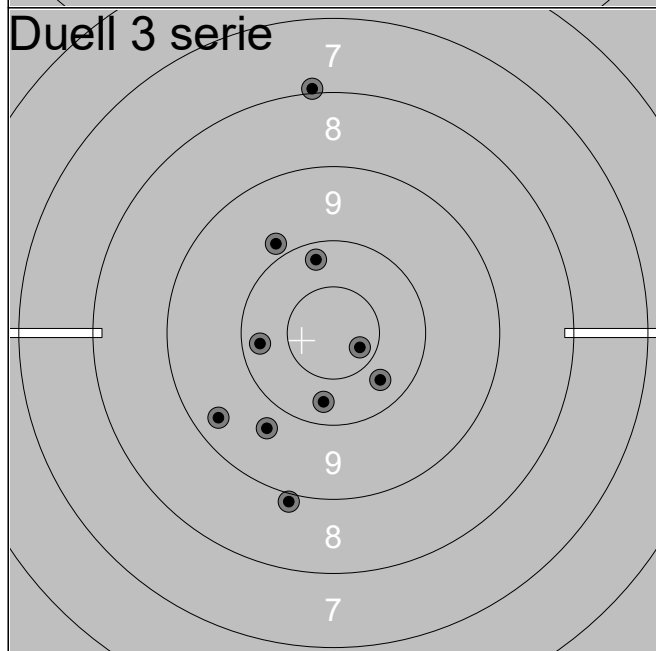
Total **384 (1x)**



2.50s	10.5x	←
2.36s	10.1	↓
2.58s	10.7x	↗
2.47s	9.7	←
2.58s	10.0	↗
2.76s	8.6	↙
2.60s	10.6x	↓
2.54s	10.5x	←
2.42s	8.8	↙
2.62s	9.4	→

Serie **94 (4x)**

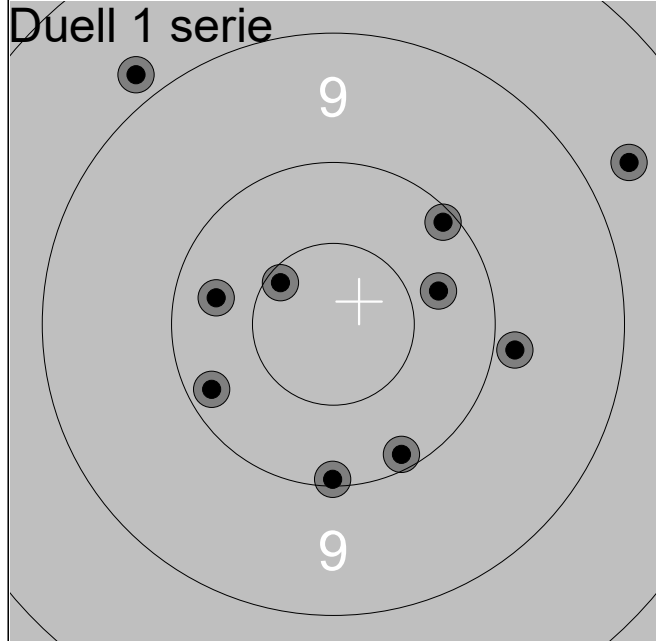
Total **478 (5x)**



2.35s	9.8	↖
2.72s	8.0	↑
2.54s	10.2	←
2.49s	10.6x	↘
2.59s	8.9	↓
2.50s	9.3	↙
2.66s	10.2	↓
2.68s	10.3	↘
2.67s	9.7	↙
2.45s	10.2	↑

Serie **93 (1x)**

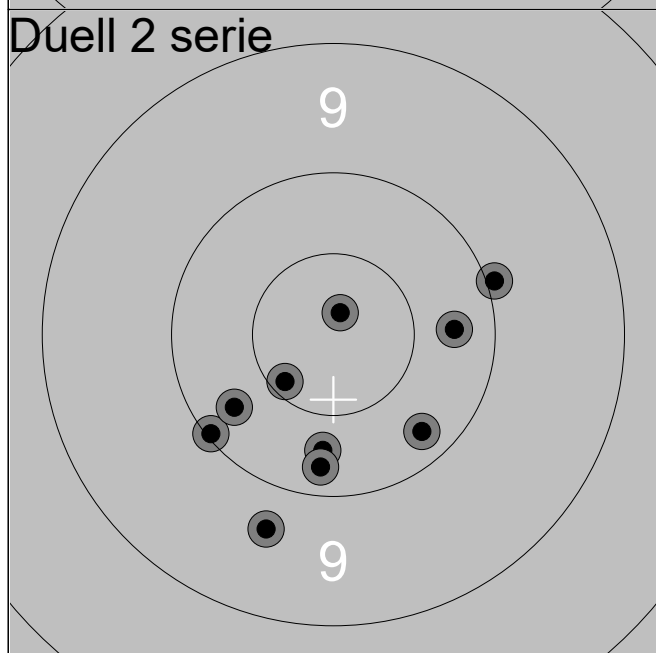
Total **571 (6x)**



2.48s	10.1	↗
2.69s	9.9	→
2.49s	10.2	←
2.61s	10.1	↙
2.31s	8.7	↗
2.23s	10.3	→
2.45s	8.8	↗
2.61s	10.1	↘
2.39s	10.6x	↖
2.57s	10.0	↓

Serie 95 (1x)

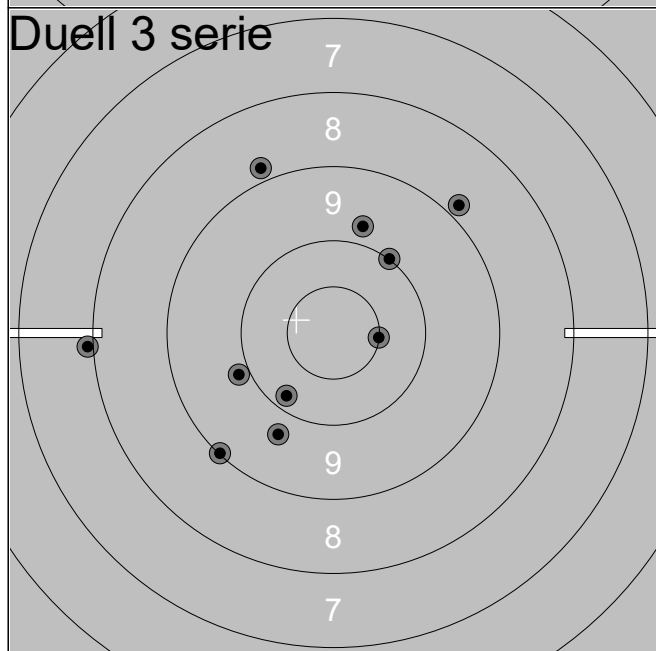
Total 381 (1x)



2.29s	10.0	↙
2.49s	10.2	↙
2.33s	10.0	→
2.54s	10.3	↓
2.39s	10.2	↘
2.64s	10.8x	↑
2.43s	10.2	→
2.48s	10.2	↓
2.17s	10.6x	↙
2.38s	9.7	↘

Serie 99 (2x)

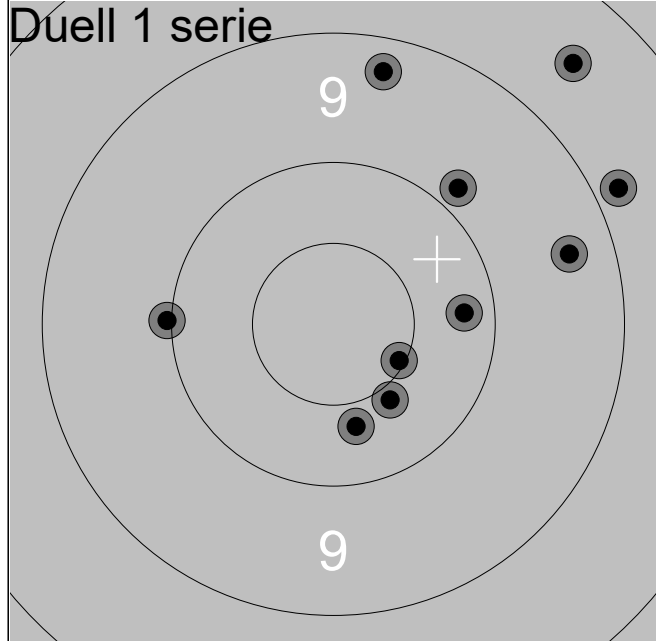
Total 480 (3x)



2.56s	8.8	↖
2.34s	10.0	↗
2.43s	7.9	←
2.39s	10.1	↘
2.78s	9.7	↘
2.47s	9.8	↑
2.36s	8.8	↗
2.39s	9.9	←
2.52s	9.0	↘
2.41s	10.5x	→

Serie 89 (1x)

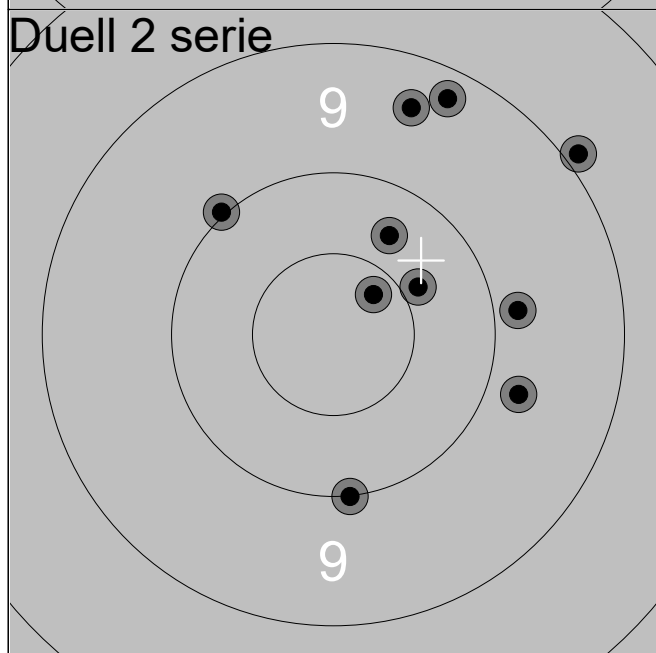
Total 569 (4x)



2.81s	10.2	→
2.76s	8.8	↗
2.84s	9.4	↗
2.88s	10.5x	↘
2.87s	10.3	↓
2.66s	10.0	←
2.66s	9.8	↗
2.78s	8.5	↗
2.81s	9.3	↑
2.76s	10.4	↘

Serie 93 (1x)

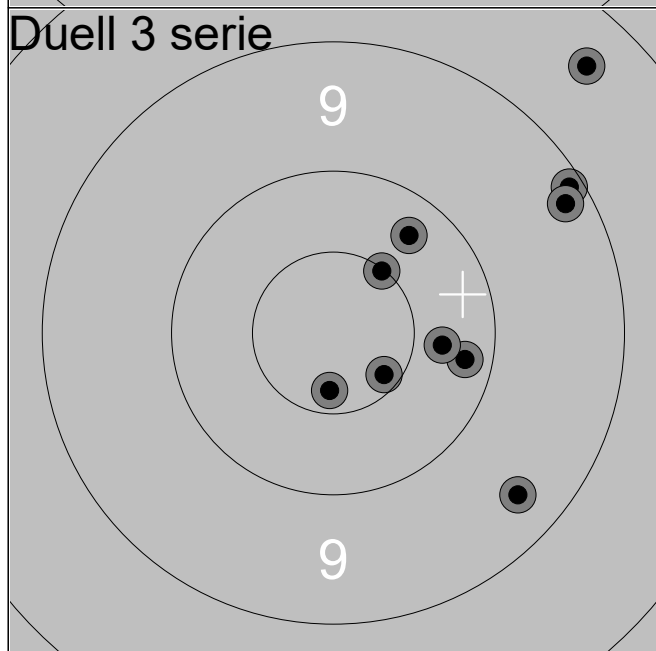
Total 379 (1x)



2.76s	10.0	↖
2.78s	10.0	↓
2.74s	9.8	→
2.78s	9.4	↑
2.65s	10.4	↗
2.69s	9.2	↑
2.71s	10.6x	↗
2.67s	10.3	↑
2.70s	9.8	→
2.76s	8.9	↗

Serie 94 (1x)

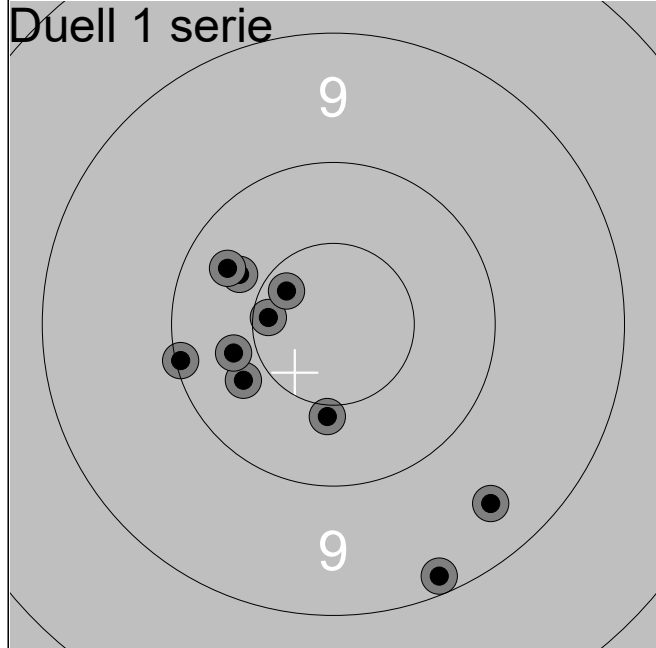
Total 473 (2x)



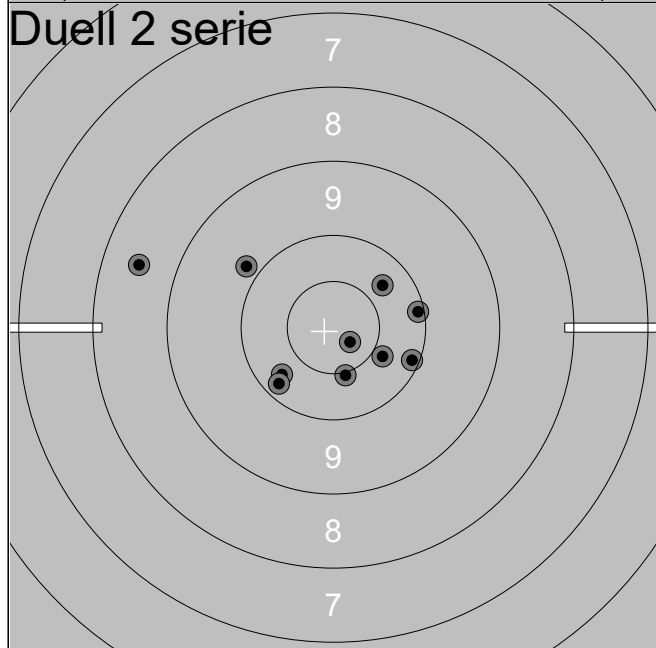
2.67s	10.6x	↘
2.68s	8.4	↗
2.71s	10.2	→
2.81s	9.4	↘
2.79s	9.1	↗
2.70s	10.6x	↓
2.68s	9.2	↗
2.80s	10.2	↗
2.98s	10.5x	↗
2.86s	10.3	→

Serie 95 (3x)

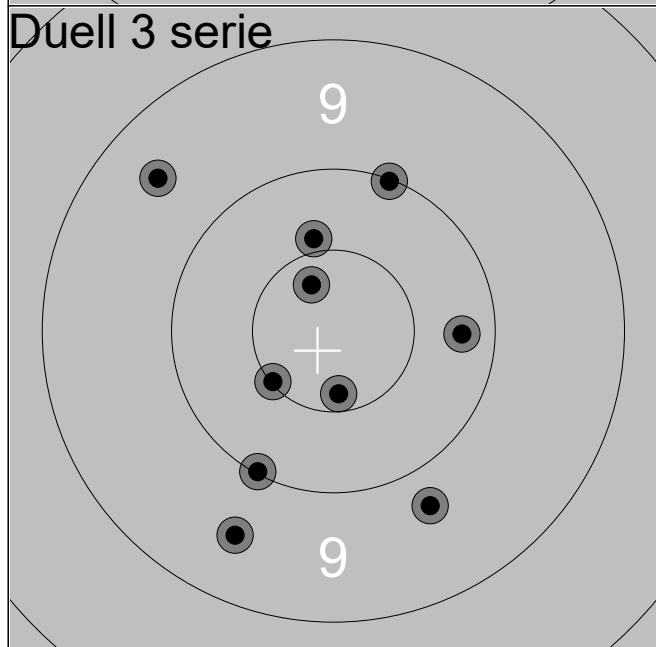
Total 568 (5x)



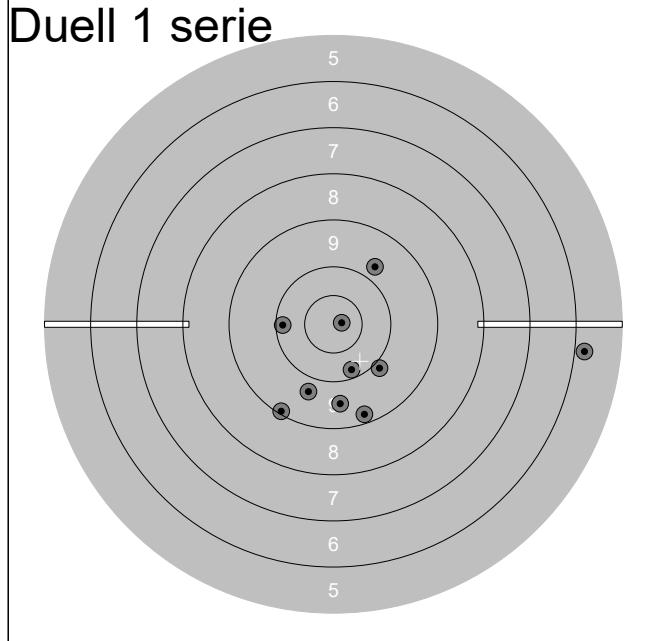
2.19s	10.6x	←
2.12s	10.4	↓
2.58s	10.0	←
2.54s	10.3	↗
2.43s	10.2	↗
2.52s	10.3	↖
2.52s	10.3	←
2.02s	9.4	↘
2.46s	10.6x	↗
2.45s	9.2	↓
Serie		98 (2x)
Total		383 (2x)



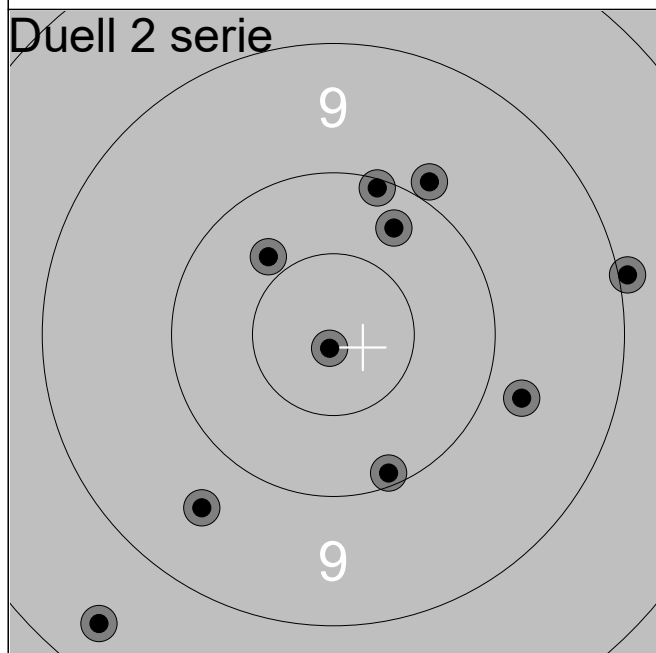
2.02s	10.1	→
2.47s	8.5	←
2.44s	10.2	↙
2.48s	10.3	↗
2.31s	10.4x	↓
2.15s	10.1	→
2.00s	9.8	↗
2.52s	10.4	↘
2.25s	10.7x	↘
2.56s	10.1	↙
Serie		97 (2x)
Total		480 (4x)



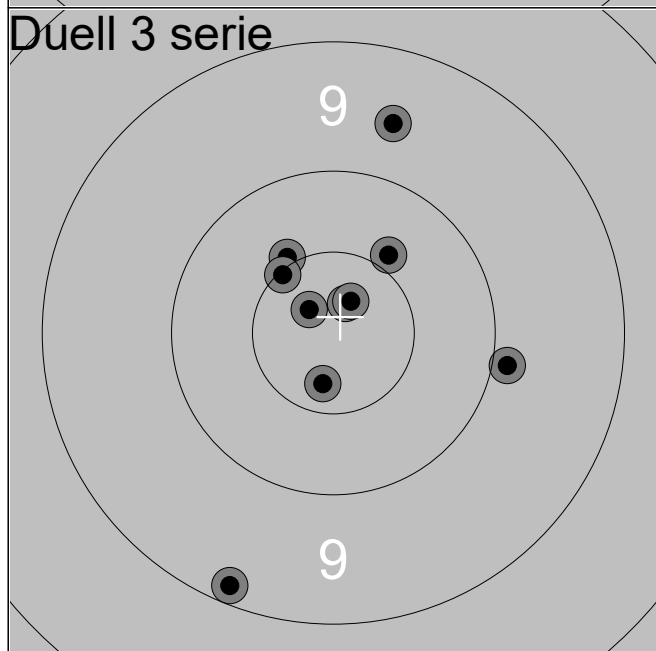
2.02s	9.5	↗
2.40s	10.7x	↗
2.20s	10.6x	↓
2.22s	10.5x	↙
2.33s	9.5	↙
2.27s	10.4	↑
2.00s	10.0	↑
2.29s	10.0	↙
2.23s	10.2	→
2.21s	9.7	↓
Serie		97 (3x)
Total		577 (7x)



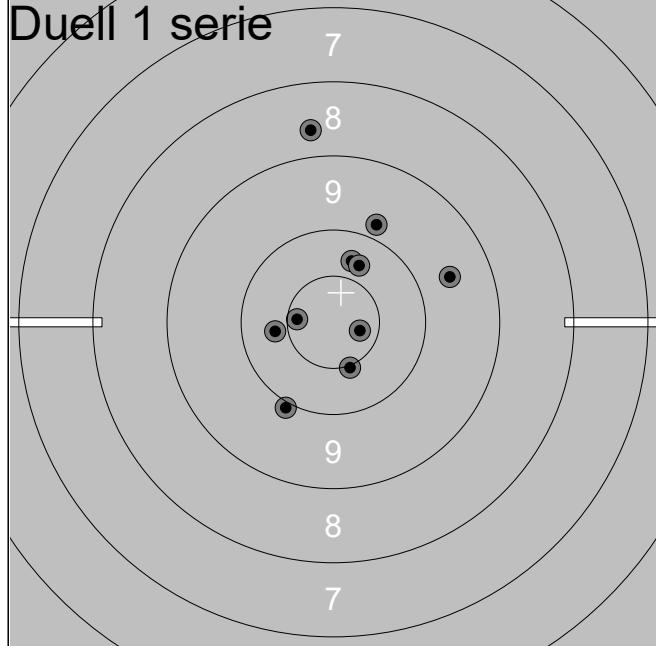
2.56s	9.2	↓
2.46s	10.1	↓
2.31s	10.8x	→
2.36s	9.1	↓
2.83s	9.9	↓
2.34s	9.7	↓
2.38s	9.7	↗
2.43s	9.6	↓
2.59s	5.8	→
2.52s	10.1	←
Serie		89 (1x)
Total		373 (1x)



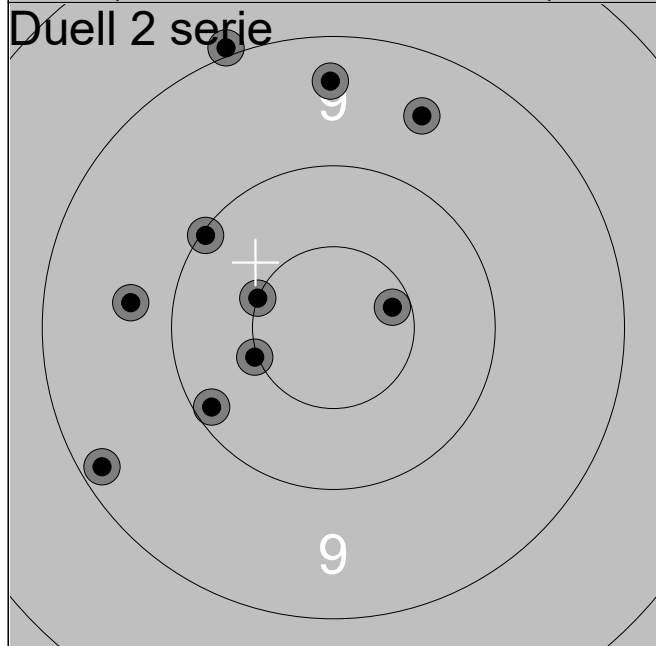
2.22s	8.9	→
2.41s	10.9x	↓
2.43s	9.7	→
2.27s	10.1	↗
2.43s	10.2	↗
2.20s	10.4	↖
2.29s	9.9	↗
2.44s	9.6	↓
2.43s	10.1	↓
2.52s	8.4	↓
Serie		93 (1x)
Total		466 (2x)



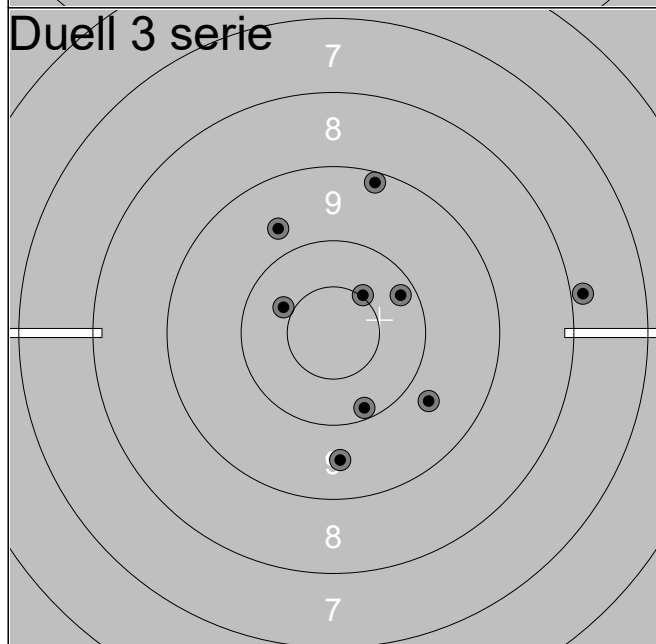
2.34s	10.8x	↖
2.35s	10.4	↗
2.46s	10.8x	↗
2.31s	9.9	→
2.52s	10.4x	↖
2.34s	9.6	↗
2.08s	10.5x	↖
2.40s	10.7x	↗
2.58s	10.6x	↓
2.31s	9.2	↓
Serie		97 (6x)
Total		563 (8x)



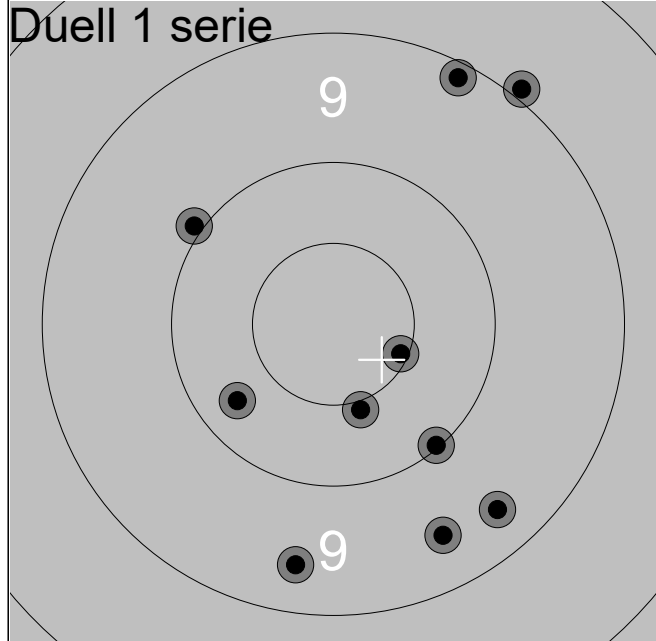
2.44s	8.7	↑
2.41s	10.3	←
2.36s	9.8	↗
2.50s	10.3	↑
2.34s	10.3	↗
2.48s	9.9	↘
2.69s	10.6x	←
2.54s	10.5x	↘
2.62s	9.6	↗
2.63s	10.7x	→
Serie	95 (3x)	
Total	378 (3x)	



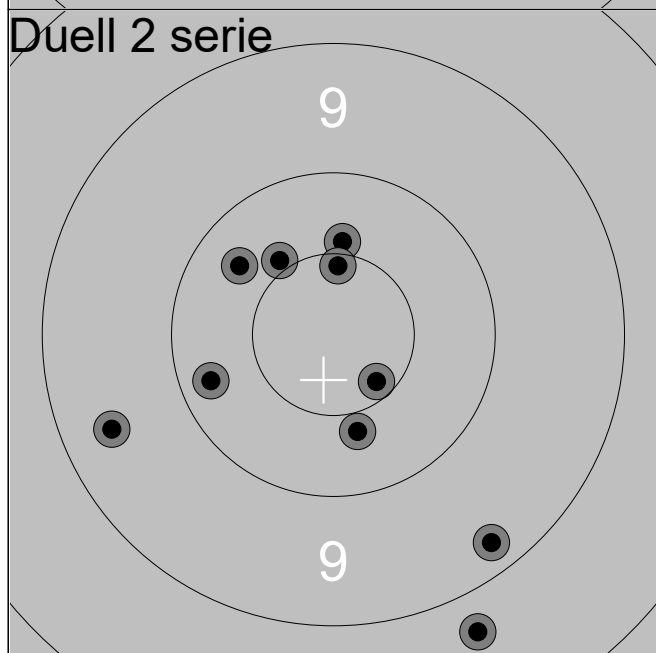
2.52s	9.2	←
2.67s	10.1	←
2.38s	10.5x	←
2.49s	10.6x	↗
2.66s	9.0	↑
2.50s	10.0	↖
2.48s	9.4	↑
2.59s	9.7	←
2.35s	10.5x	←
2.34s	9.5	↑
Serie	95 (3x)	
Total	473 (6x)	



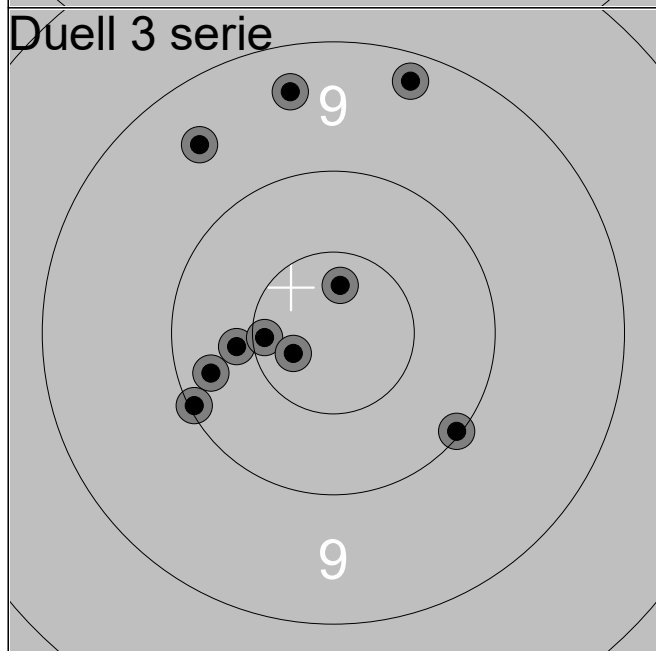
	--	
2.45s	7.9	→
2.44s	10.2	↗
2.24s	9.7	↘
2.33s	10.5x	↗
2.54s	10.1	↘
2.49s	10.4	←
2.79s	9.5	↘
2.41s	9.2	↑
2.54s	9.7	↖
Serie	83 (1x)	
Total	556 (7x)	



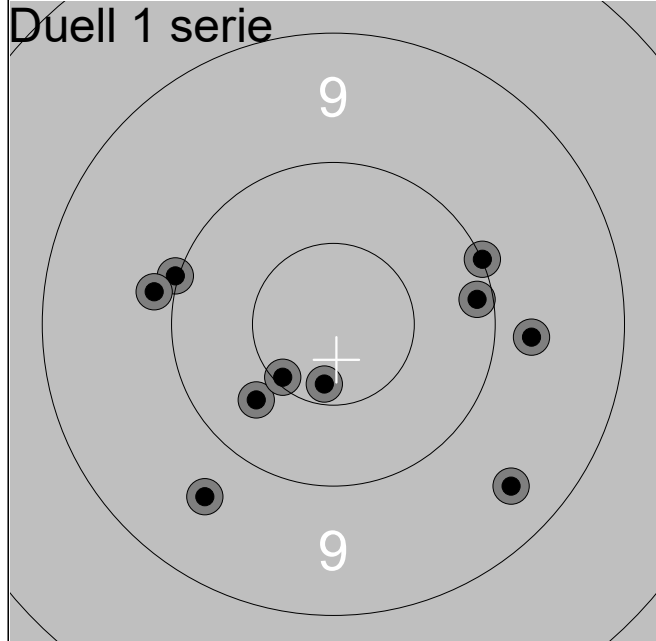
2.38s	8.9	↗
2.52s	9.1	↗
2.71s	9.4	↘
2.60s	10.5x	→
2.78s	9.4	↘
2.43s	10.2	↖
2.49s	10.4	↘
2.65s	10.0	↘
2.58s	9.4	↘
2.75s	10.0	↗
Serie	94 (1x)	
Total	377 (1x)	



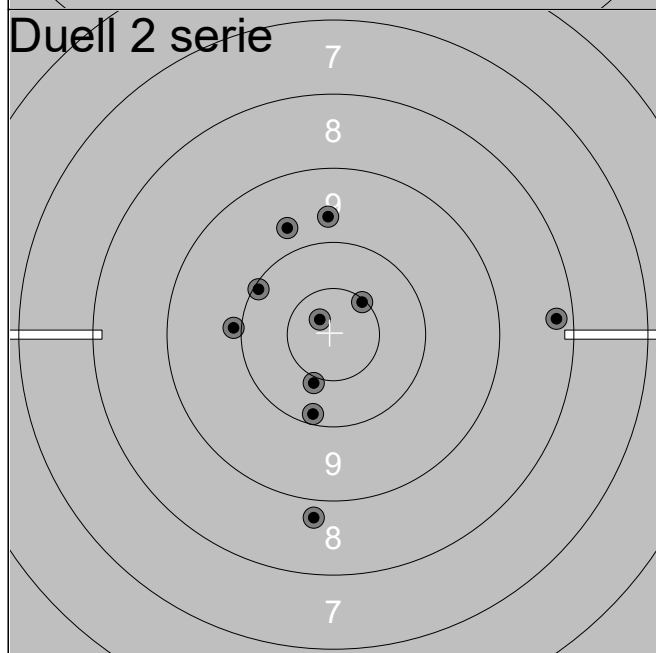
2.31s	10.4	↗
2.40s	10.2	↖
2.46s	10.3	↗
2.44s	10.4	↘
2.54s	8.7	↘
2.24s	9.3	↘
2.50s	10.6x	↘
2.66s	10.4	↑
2.64s	10.5x	↑
2.54s	9.4	↖
Serie	96 (2x)	
Total	473 (3x)	



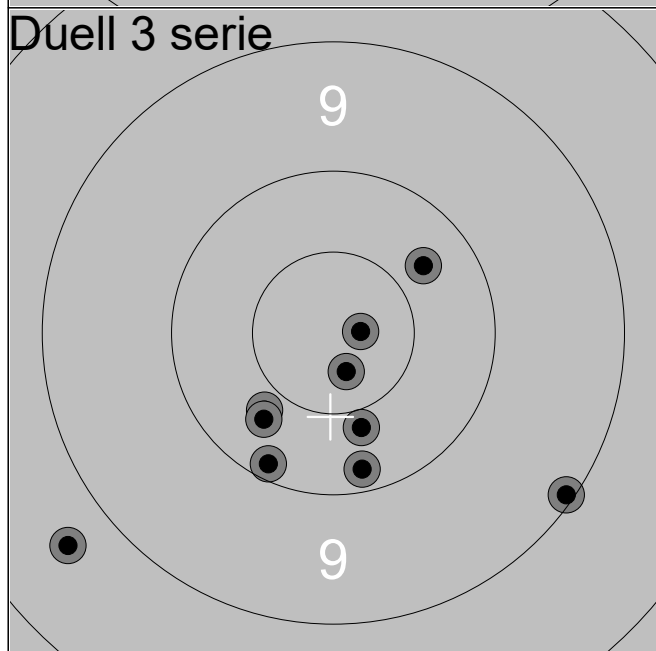
2.36s	9.5	↗
2.35s	10.4	↖
2.27s	10.0	↘
2.38s	9.4	↑
2.29s	10.5x	↖
2.21s	10.7x	↑
2.25s	10.2	↖
2.31s	10.7x	↖
2.40s	9.2	↑
2.29s	10.0	↖
Serie	97 (3x)	
Total	570 (6x)	



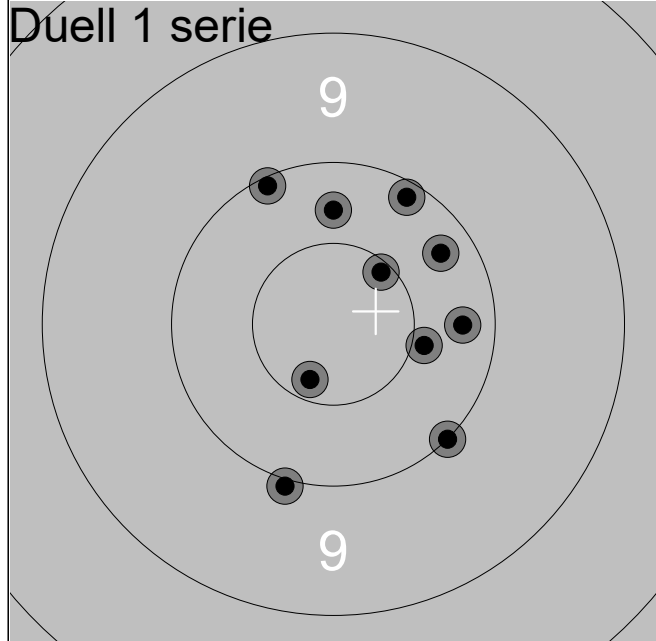
2.34s	10.0	➔
2.27s	10.3	↙
2.54s	10.0	↖
2.52s	10.5x	↙
2.57s	9.9	↖
2.66s	10.1	➔
2.62s	9.7	➔
2.42s	10.6x	↘
2.56s	9.6	↙
2.50s	9.4	↘
Serie		96 (2x)
Total		379 (2x)



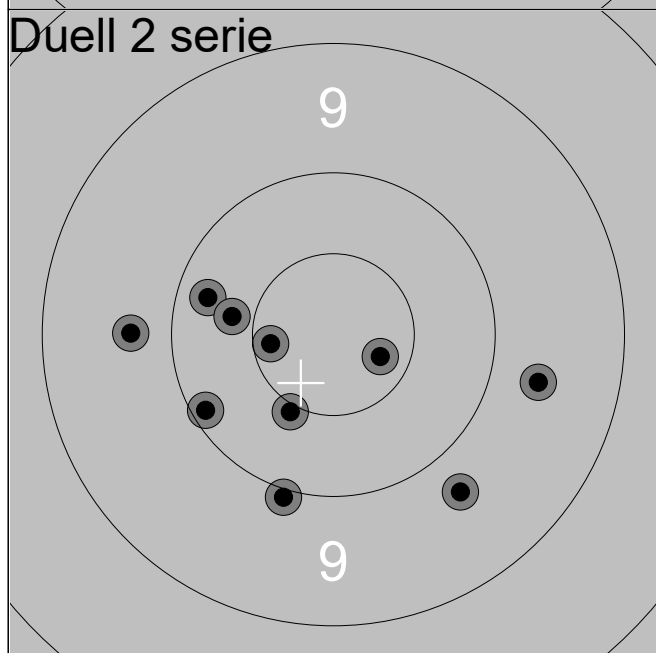
2.45s	10.1	↘
2.73s	9.7	↗
2.68s	10.1	↖
2.63s	10.7x	↗
2.61s	10.5x	↗
2.50s	9.7	↑
2.50s	8.3	➔
2.59s	9.9	↖
2.52s	8.8	↘
2.64s	10.4	↘
Serie		93 (2x)
Total		472 (4x)



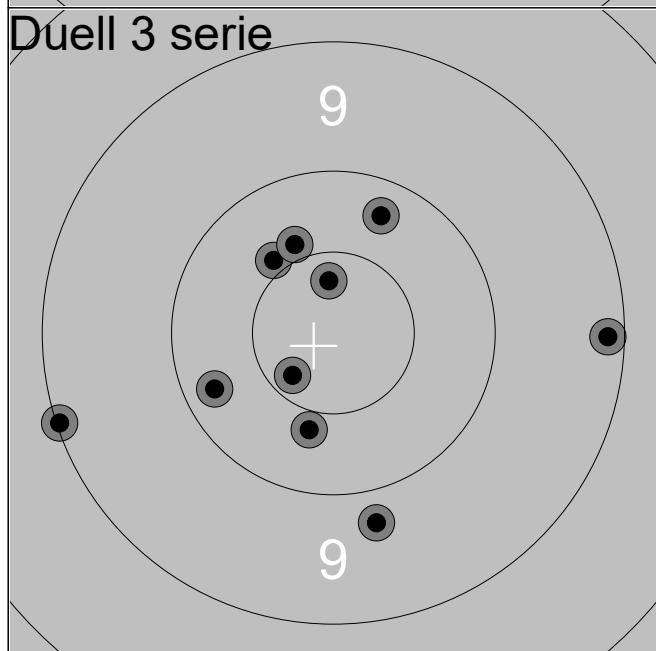
2.36s	8.6	↙
2.39s	10.3	↙
2.56s	10.3	↗
2.42s	10.4	↘
2.43s	10.1	↘
2.34s	10.8x	➔
2.33s	10.1	↙
2.35s	10.3	↙
2.39s	9.1	↘
2.58s	10.7x	↘
Serie		97 (2x)
Total		569 (6x)



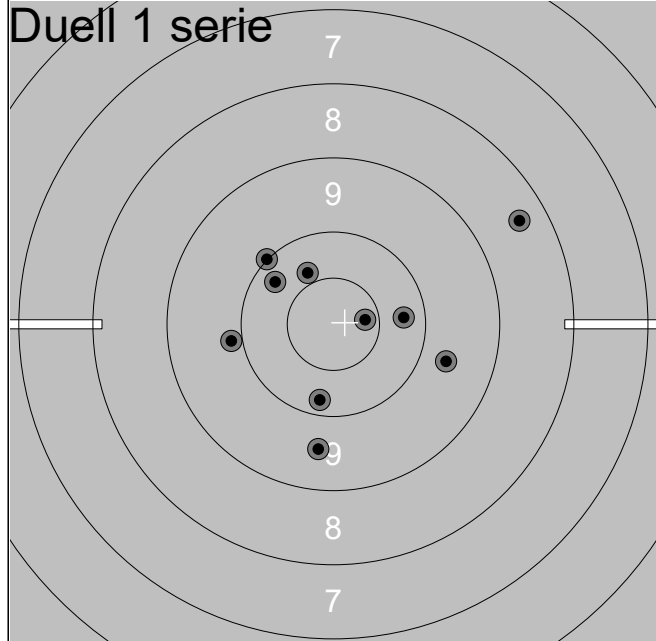
2.54s	10.5x	↗
2.52s	10.4	→
2.69s	10.2	→
2.35s	10.2	↗
2.66s	10.1	↖
2.50s	10.6x	↓
2.52s	10.3	↑
2.59s	10.0	↓
2.68s	10.1	↗
2.59s	10.0	↘
Serie	100 (2x)	
Total	382 (2x)	



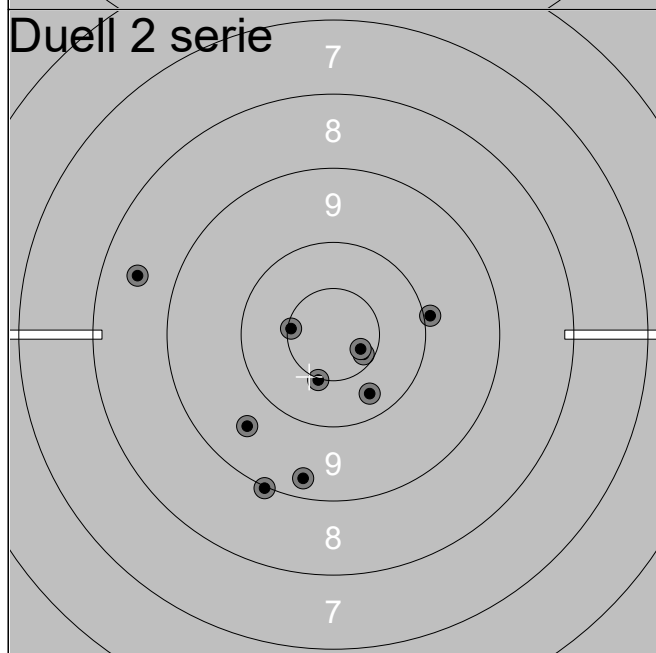
2.19s	10.2	←
2.44s	9.6	→
2.72s	10.3	←
2.38s	10.6x	←
2.39s	10.0	↓
2.33s	9.7	←
2.37s	10.6x	→
2.29s	9.7	↘
2.52s	10.1	←
2.57s	10.4x	↓
Serie	97 (3x)	
Total	479 (5x)	



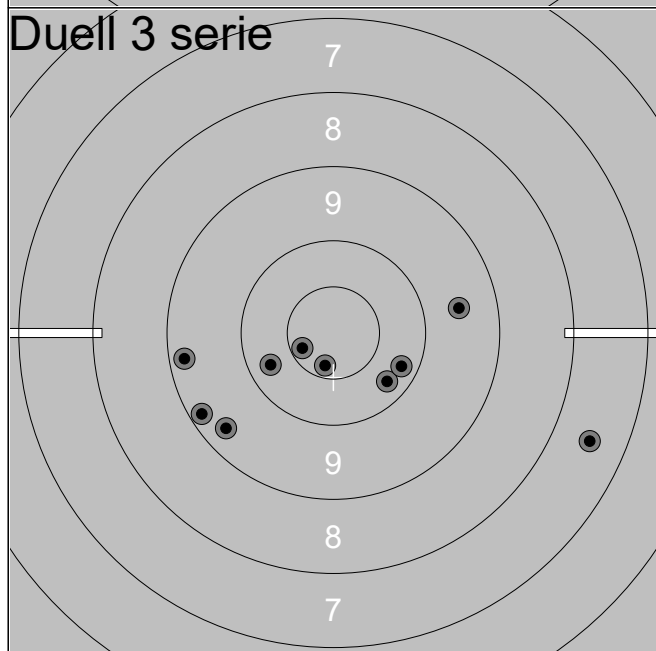
2.42s	10.2	↗
2.25s	10.6x	↑
2.13s	9.8	↓
2.58s	10.6x	↙
2.96s	10.4	↗
2.46s	10.4	↗
2.41s	9.1	→
2.43s	9.0	←
2.34s	10.4	↓
1.98s	10.2	←
Serie	97 (2x)	
Total	576 (7x)	



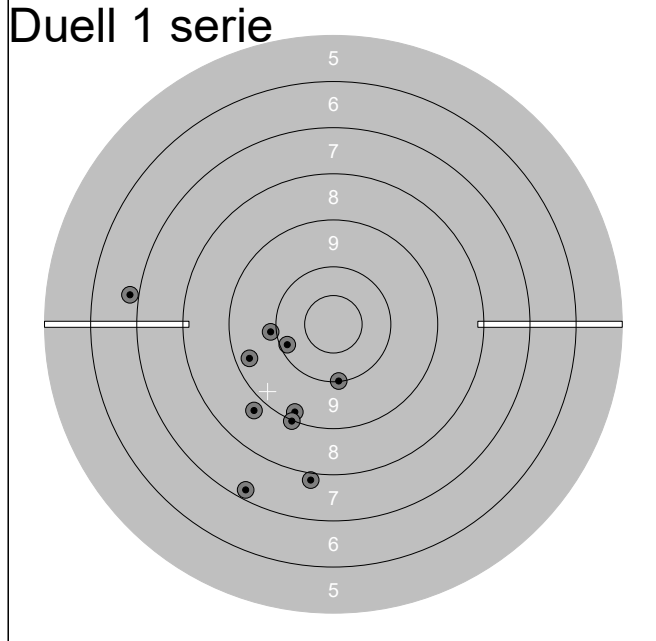
2.59s	8.4	↗
2.42s	10.4	↖
2.61s	10.0	↖
2.66s	10.2	↖
2.60s	10.2	→
2.52s	10.2	↓
2.66s	10.6x	→
2.57s	9.7	↘
2.31s	9.6	↓
2.73s	9.9	←
Serie		95 (1x)
Total		376 (1x)



2.44s	10.5x	←
2.72s	10.6x	↘
2.58s	9.6	↘
2.57s	10.6x	↘
2.75s	9.3	↓
2.56s	10.2	↓
2.52s	9.9	→
2.42s	8.5	←
2.67s	10.5x	↓
2.57s	9.0	↓
Serie		94 (4x)
Total		470 (5x)



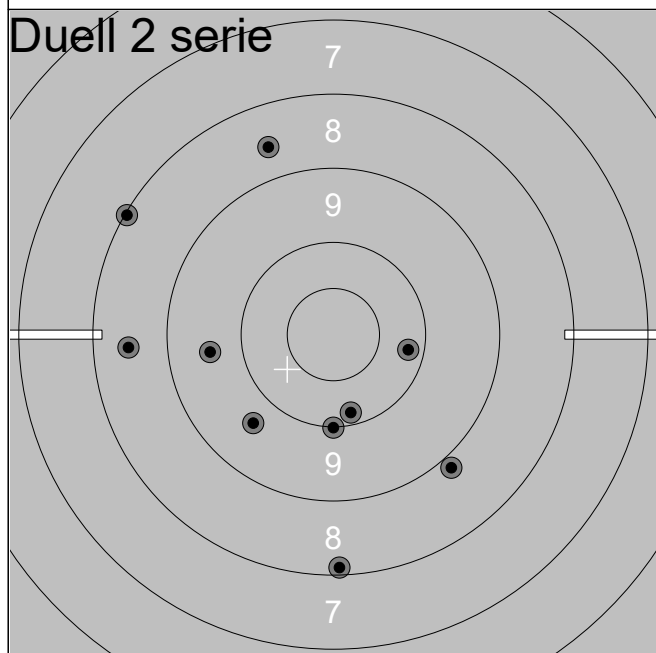
2.64s	9.2	↙
2.44s	10.2	↘
2.56s	9.3	↙
2.49s	9.2	←
2.70s	7.5	↘
2.54s	10.6x	↙
2.76s	9.5	→
2.52s	10.2	↘
2.42s	10.2	↙
2.36s	10.6x	↓
Serie		93 (2x)
Total		563 (7x)



2.43s	6.8	←
2.84s	9.2	↓
2.48s	9.0	↓
2.66s	10.0	↓
2.67s	7.9	↓
2.70s	9.3	←
2.69s	9.9	←
2.65s	8.7	↓
2.49s	10.1	←
2.78s	7.2	↓

Serie 84 (0x)

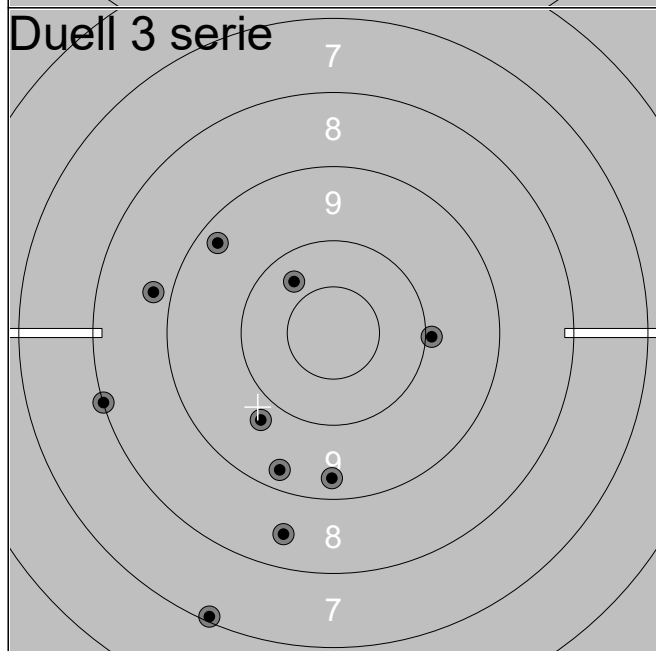
Total 365 (0x)



2.67s	8.6	↑
2.82s	8.0	↖
2.76s	9.6	←
2.57s	9.7	↓
2.58s	8.1	↓
2.73s	8.5	←
2.78s	10.1	↓
2.79s	10.0	↓
2.61s	8.9	↓
2.83s	10.2	→

Serie 88 (0x)

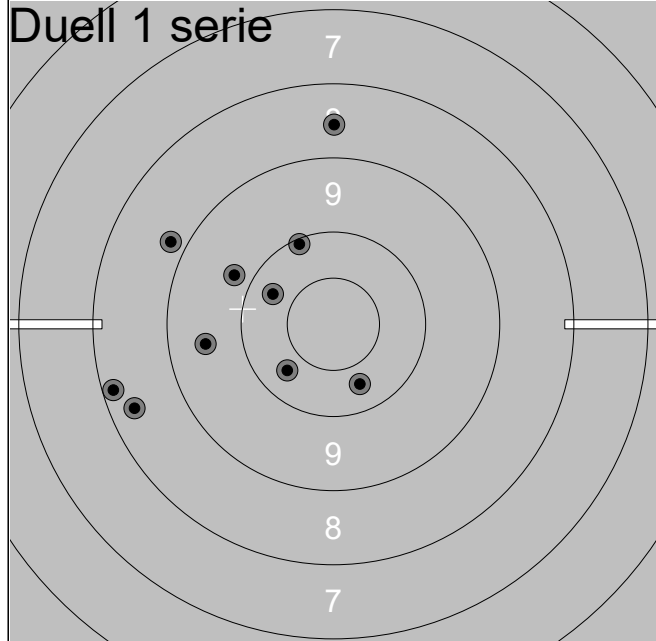
Total 453 (0x)



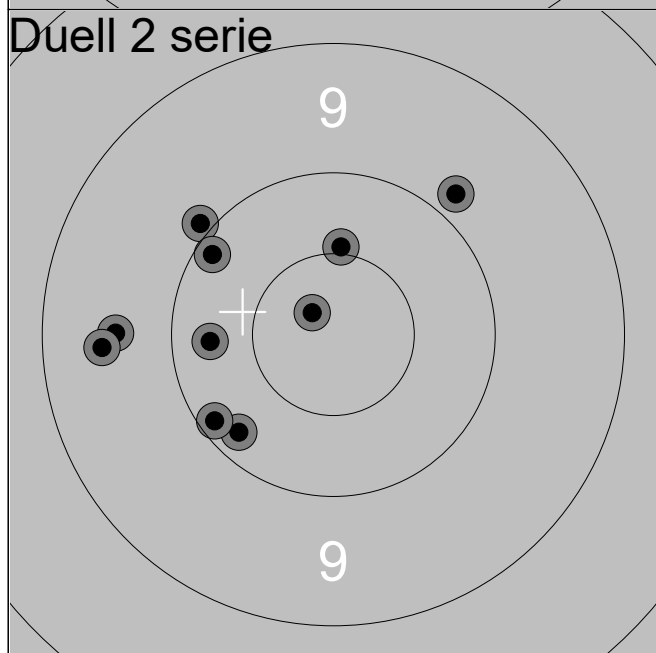
2.71s	9.3	↖
2.81s	8.0	←
2.79s	9.3	↓
2.69s	8.5	↓
2.74s	9.9	→
2.69s	8.8	←
2.87s	10.3	↖
2.82s	9.7	↓
2.79s	9.3	↓
2.78s	7.1	↓

Serie 86 (0x)

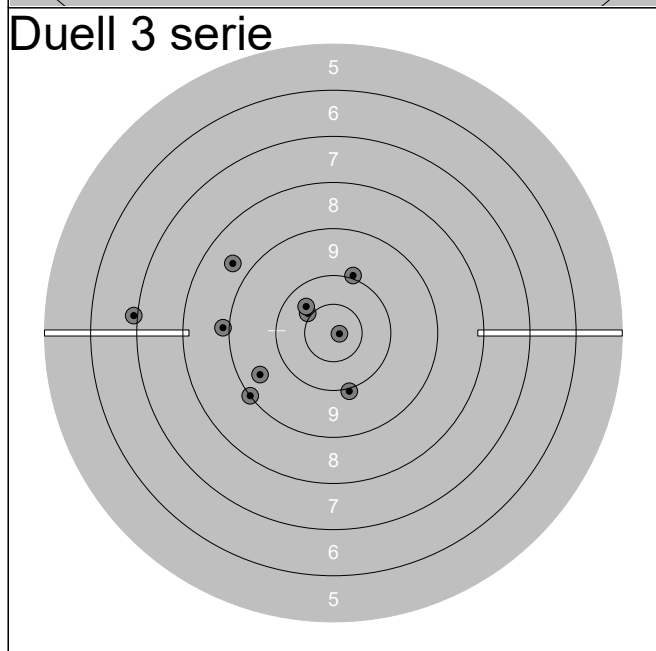
Total 539 (0x)



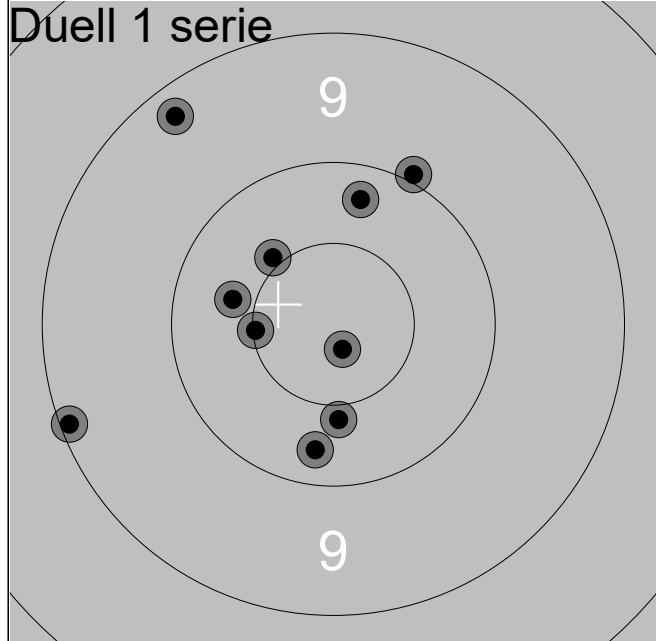
2.22s	9.8	↖
2.31s	8.2	←
2.25s	8.6	↑
2.36s	10.3	↙
2.43s	10.3	↘
2.39s	8.8	↖
2.46s	8.4	←
2.13s	9.5	←
2.42s	10.3	↖
2.54s	10.1	↑
Serie	90 (0x)	
Total	370 (0x)	



2.31s	10.2	↙
2.29s	9.6	←
2.49s	10.4x	↑
2.49s	9.9	↖
2.29s	10.2	←
2.19s	9.8	↗
2.31s	9.5	←
2.36s	10.1	↖
2.18s	10.8x	↗
2.35s	10.1	↙
Serie	96 (2x)	
Total	466 (2x)	



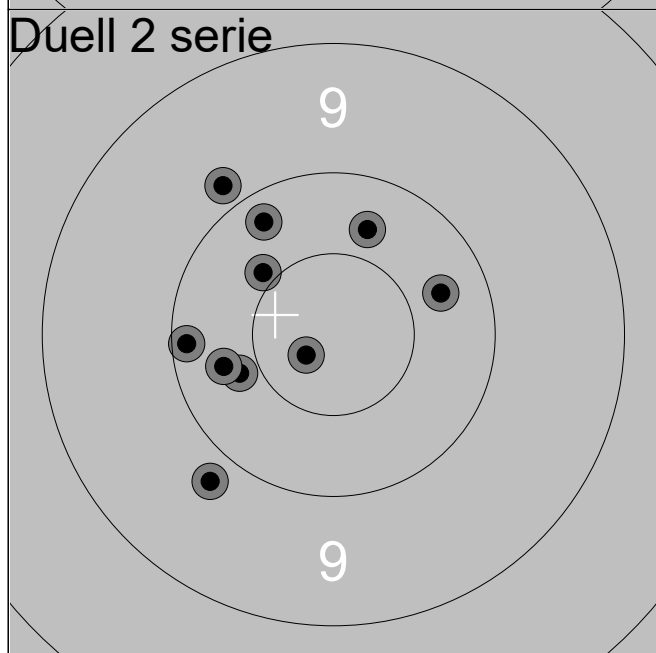
2.24s	10.0	↑
2.35s	10.8x	→
2.43s	10.0	↓
2.29s	9.5	←
2.25s	10.4	↖
2.29s	8.9	←
2.31s	9.0	↙
2.37s	6.9	←
2.09s	10.3	↗
2.33s	8.6	↖
Serie	90 (1x)	
Total	556 (3x)	



2.83s	9.1	←
2.70s	10.8x	↓
2.29s	10.5x	←
2.37s	10.4	↓
2.71s	10.2	↑
2.50s	10.3	←
2.54s	10.2	↓
2.96s	9.3	↗
2.68s	10.4x	↗
2.27s	10.0	↗

Serie	98 (3x)
--------------	-----------------

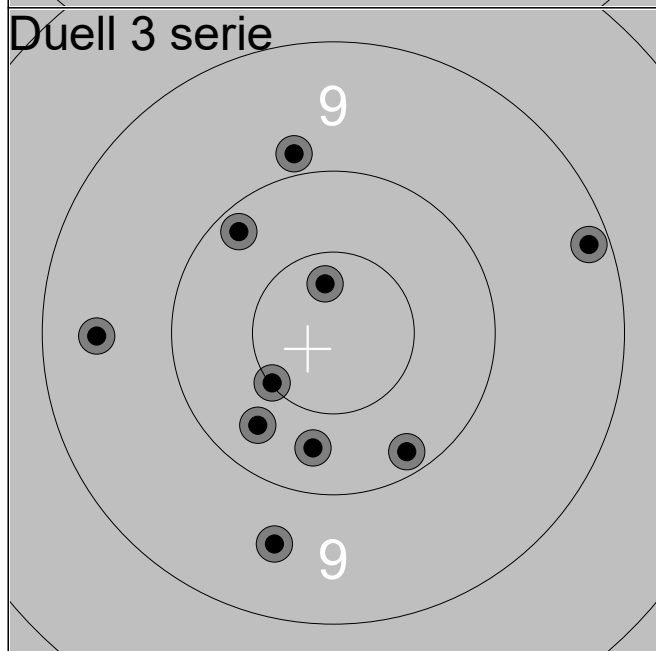
Total	378 (3x)
--------------	------------------



2.58s	10.1	←
2.49s	10.4	←
2.95s	10.3	↗
2.37s	10.4	↗
2.43s	10.8x	←
2.40s	10.3	↑
2.45s	9.8	↗
2.48s	10.3	←
2.19s	9.8	↘
2.50s	10.2	↗

Serie	98 (1x)
--------------	-----------------

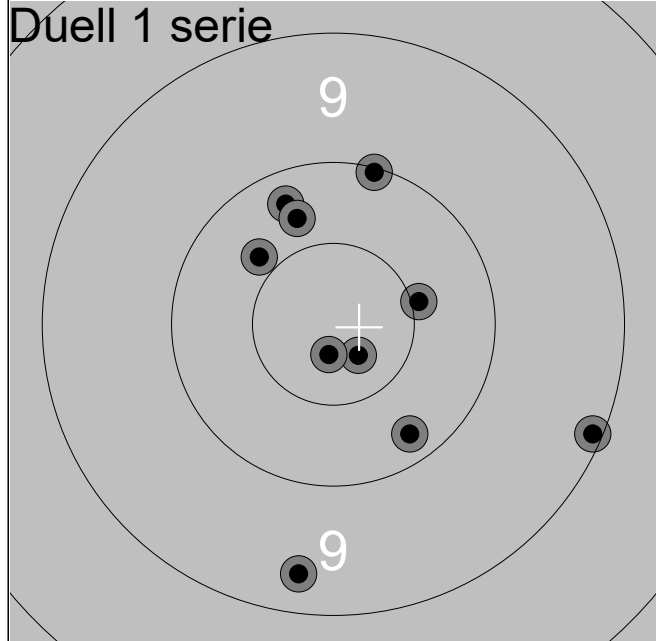
Total	476 (4x)
--------------	------------------



2.36s	9.9	↑
2.19s	10.1	↓
2.38s	10.5x	←
2.31s	9.6	↓
2.45s	10.3	↘
2.08s	10.1	↗
2.24s	10.7x	↑
2.37s	9.4	←
2.40s	9.2	↗
2.38s	10.3	↓

Serie	96 (2x)
--------------	-----------------

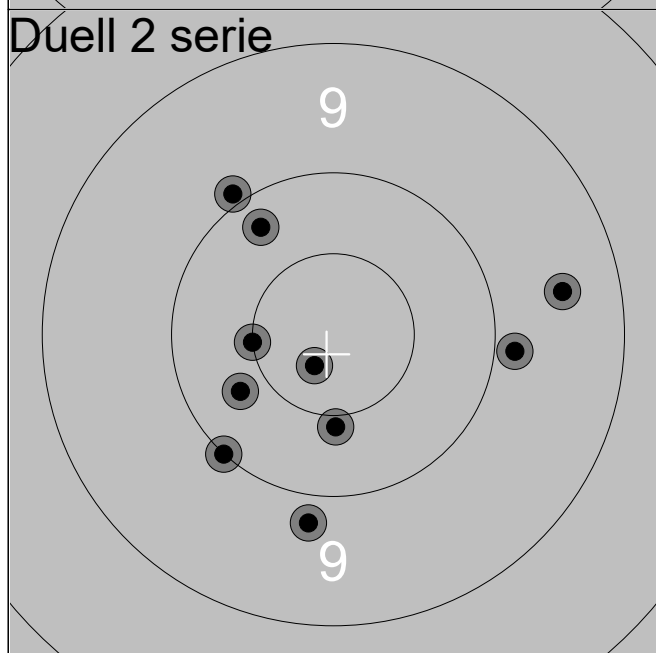
Total	572 (6x)
--------------	------------------



2.45s	10.4	↗
2.64s	10.7x	↘
2.23s	10.2	↗
2.27s	10.4x	→
2.50s	9.1	↘
2.36s	9.3	↘
2.67s	10.3	↗
2.29s	10.0	↗
2.27s	10.2	↘
2.31s	10.8x	↘

Serie 98 (3x)

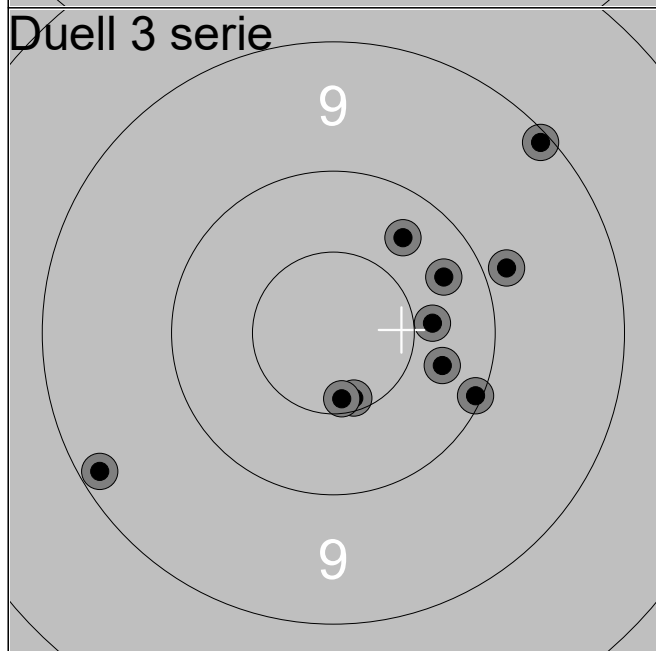
Total 378 (3x)



2.29s	10.4	↓
2.31s	10.3	↙
2.44s	9.8	↓
2.39s	10.7x	↘
2.17s	9.9	↗
2.68s	9.5	→
2.31s	10.0	↘
2.31s	10.5x	←
2.34s	9.9	→
2.25s	10.2	↗

Serie 96 (2x)

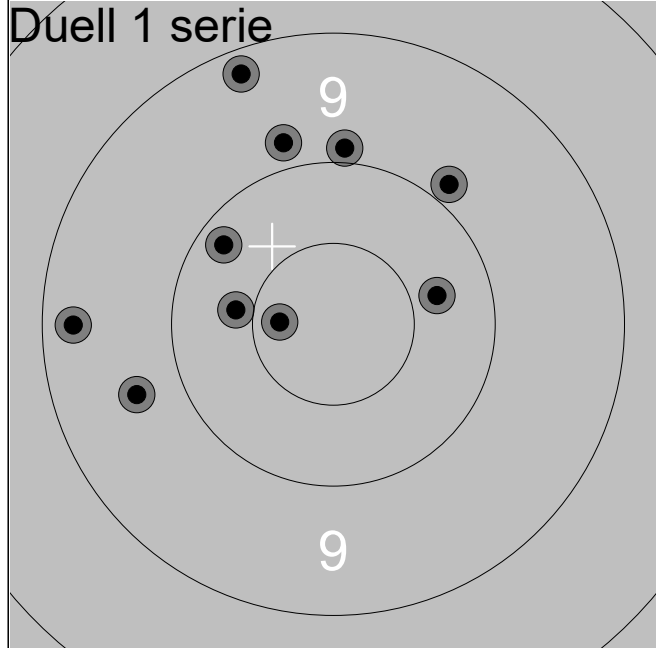
Total 474 (5x)



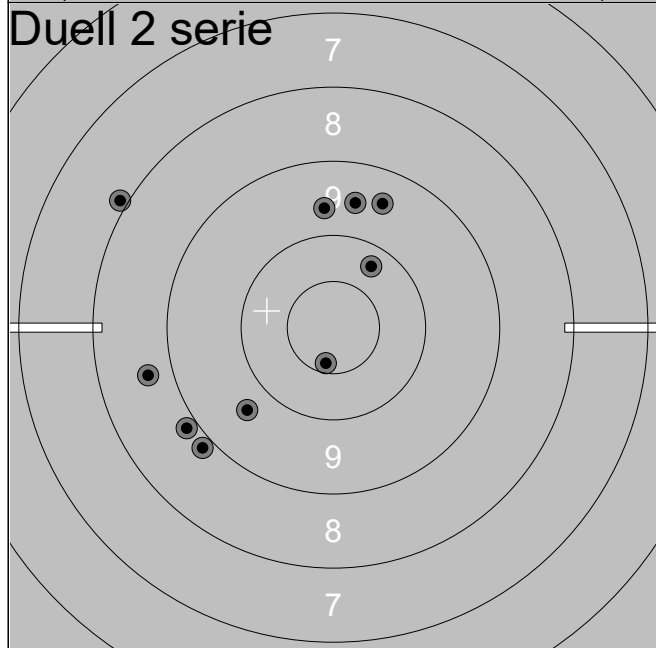
2.45s	10.2	↗
2.29s	10.3	→
2.31s	10.4	→
2.13s	10.5x	↘
2.24s	10.6x	↘
2.21s	9.1	↗
2.04s	10.3	↗
2.02s	10.0	↘
2.29s	9.8	→
2.64s	9.2	↙

Serie 97 (2x)

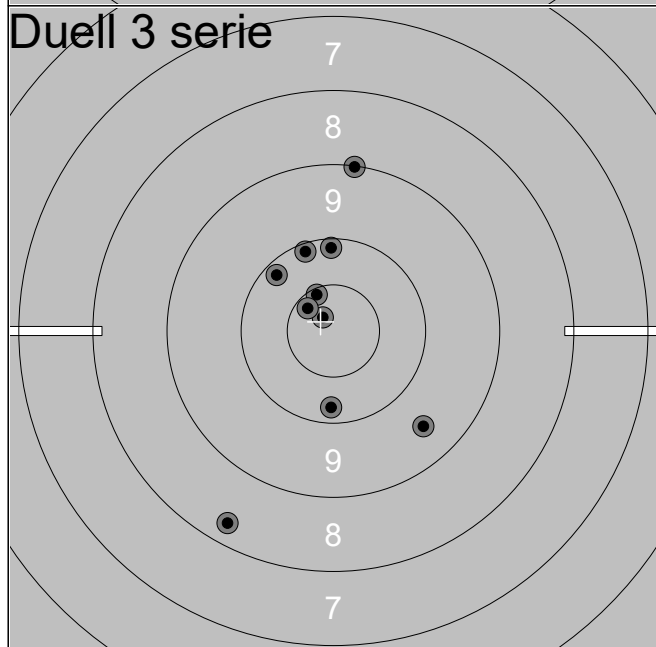
Total 571 (7x)



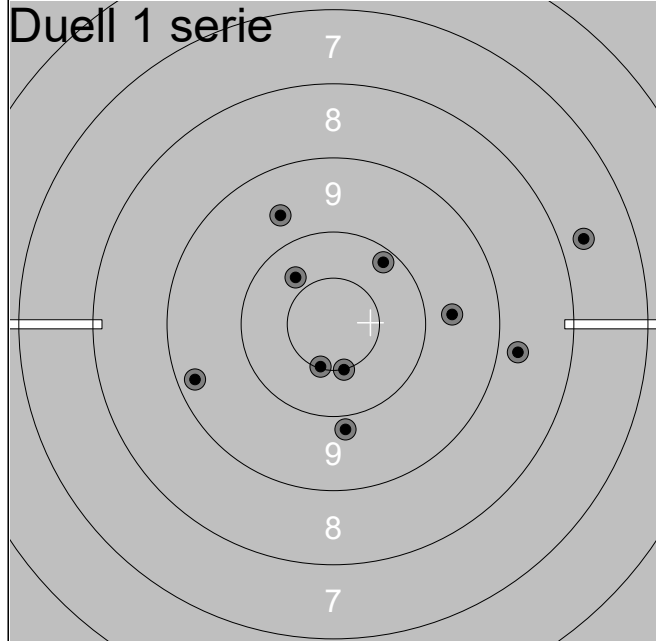
2.29s	9.3	←
2.29s	9.9	↗
2.18s	9.2	↑
2.22s	10.6x	←
2.10s	9.7	←
2.29s	10.4	←
2.45s	9.9	↑
2.33s	10.3	→
2.23s	9.8	↑
2.25s	10.2	↖
Serie		94 (1x)
Total		374 (1x)



2.22s	10.2	↗
2.61s	9.7	↙
2.57s	8.7	←
2.42s	7.9	↖
2.29s	9.6	↑
2.34s	9.5	↗
2.38s	9.6	↑
2.54s	8.9	↙
2.31s	10.6x	↓
2.29s	8.9	↙
Serie		87 (1x)
Total		461 (2x)



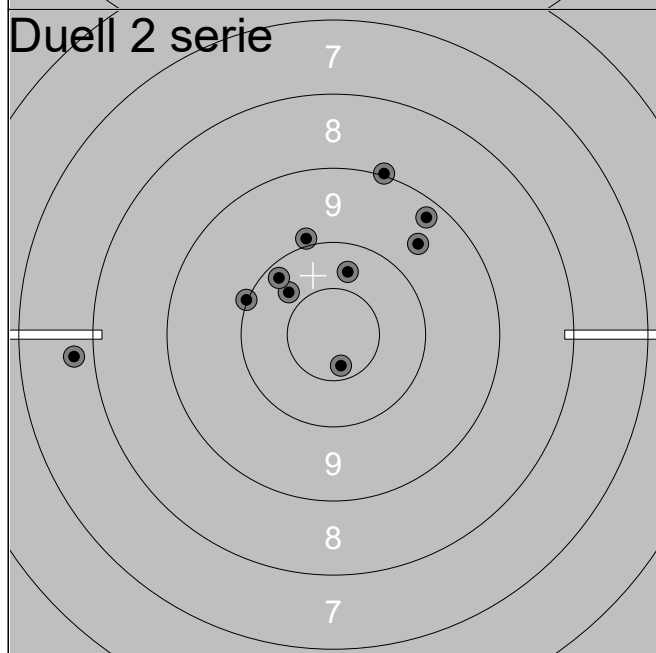
2.36s	8.3	↙
2.35s	10.8x	↖
2.31s	10.5x	↗
2.37s	10.1	↑
2.37s	10.1	↑
2.31s	10.6x	↖
2.21s	9.0	↑
2.27s	10.1	↗
2.25s	10.2	↓
2.40s	9.5	↙
Serie		96 (3x)
Total		557 (5x)



2.54s	9.8	↓
2.52s	10.1	↗
2.68s	10.5x	↓
2.76s	9.6	↗
2.66s	9.3	←
2.54s	10.5x	↓
2.73s	10.3	↗
2.29s	9.7	→
2.12s	8.7	→
2.77s	7.7	→

Serie	91 (2x)
-------	----------

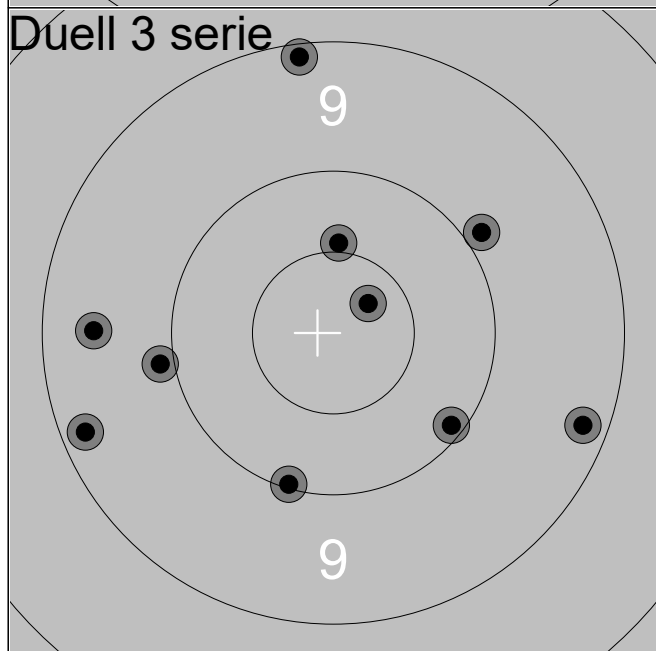
Total	370 (2x)
-------	-----------



2.17s	10.6x	↓
2.68s	7.8	←
2.76s	10.3	↗
2.54s	10.0	←
2.56s	9.9	↗
2.52s	10.1	↗
2.60s	9.2	↗
2.52s	10.3	↑
2.58s	9.0	↑
2.66s	9.6	↗

Serie	93 (1x)
-------	----------

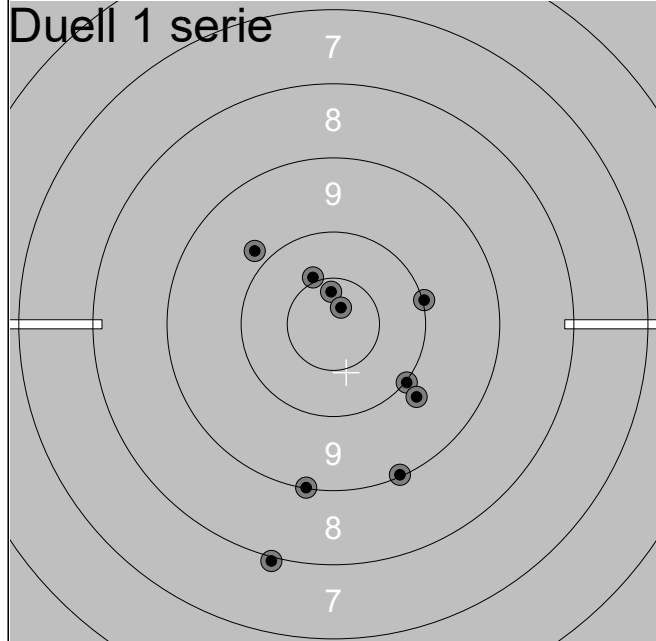
Total	463 (3x)
-------	-----------



2.63s	9.2	→
2.52s	10.7x	↗
2.50s	9.4	←
2.61s	9.9	↗
2.58s	10.1	↘
2.46s	10.4	↑
2.45s	9.1	↑
2.57s	10.0	↓
2.47s	9.9	←
2.59s	9.2	←

Serie	94 (1x)
-------	----------

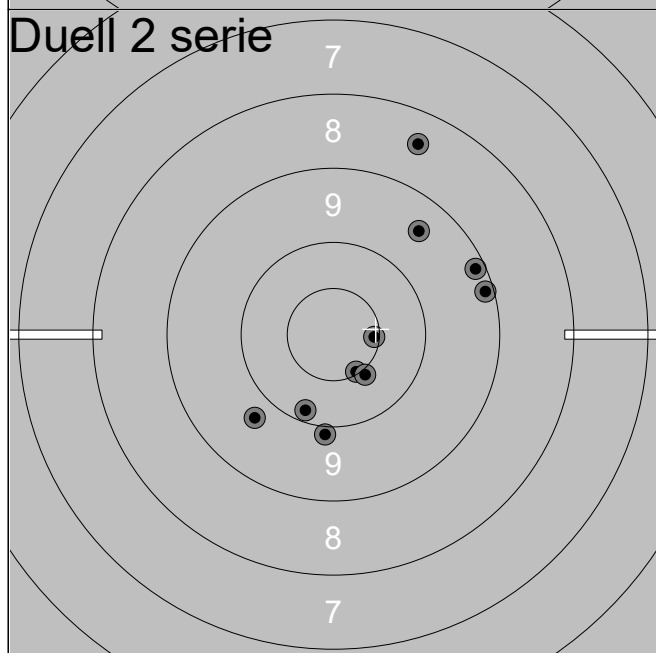
Total	557 (4x)
-------	-----------



2.54s	8.0	↓
2.79s	9.0	↓
2.67s	10.0	↘
2.56s	9.8	↘
2.68s	9.0	↓
2.56s	10.6x	↑
2.50s	10.0	→
2.67s	10.8x	↑
2.43s	10.4	↑
2.63s	9.8	↖

Serie 94 (2x)

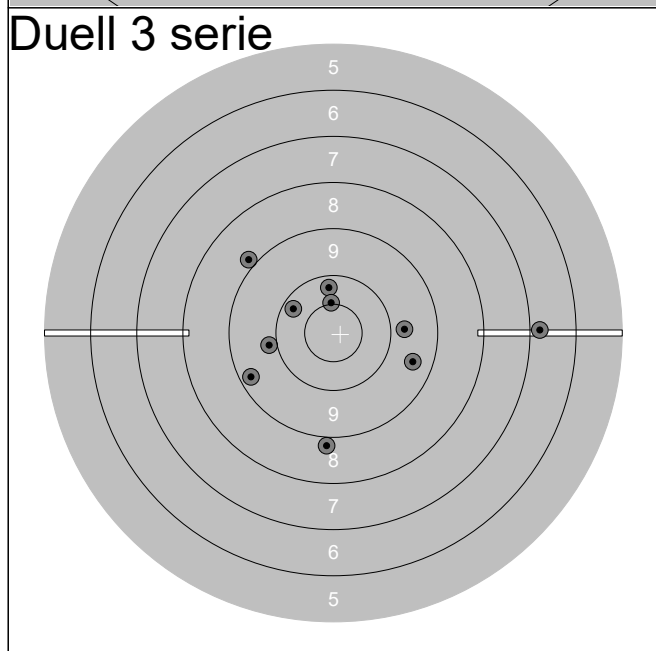
Total 373 (2x)



2.70s	9.1	→
2.44s	10.5x	↓
2.50s	10.1	↓
2.46s	10.5x	→
2.54s	10.4x	↓
2.86s	9.2	→
2.54s	8.5	↑
2.56s	9.9	↓
2.54s	9.7	↙
2.44s	9.5	↑

Serie 93 (3x)

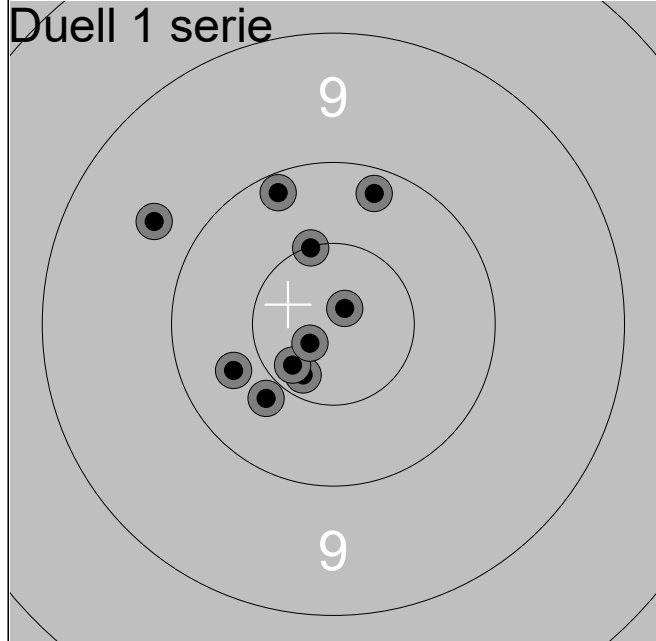
Total 466 (5x)



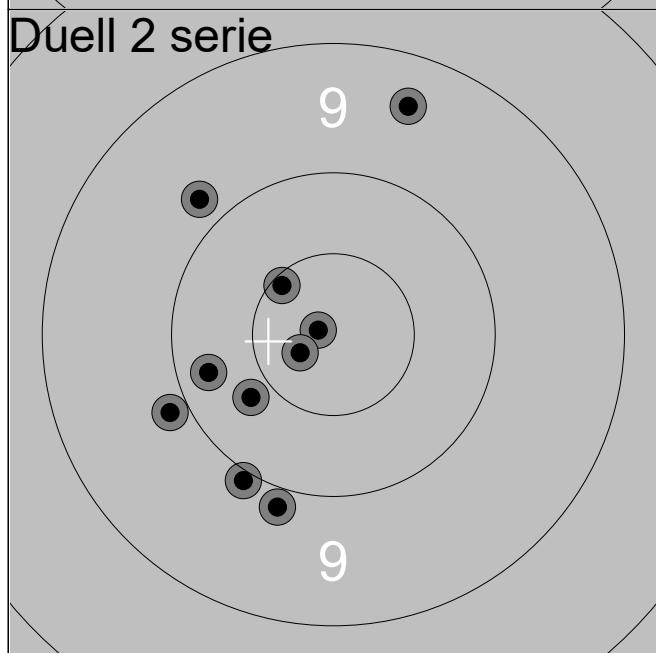
2.66s	9.4	→
2.48s	8.8	↓
2.63s	9.9	←
2.52s	6.8	→
2.66s	8.8	↖
2.71s	10.2	↑
2.37s	9.7	→
2.61s	9.3	←
2.42s	10.2	↖
2.43s	10.5x	↑

Serie 88 (1x)

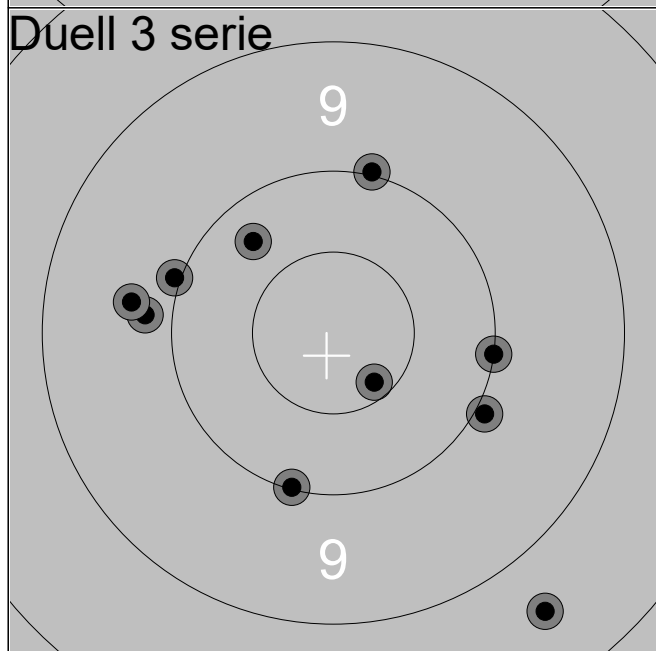
Total 554 (6x)



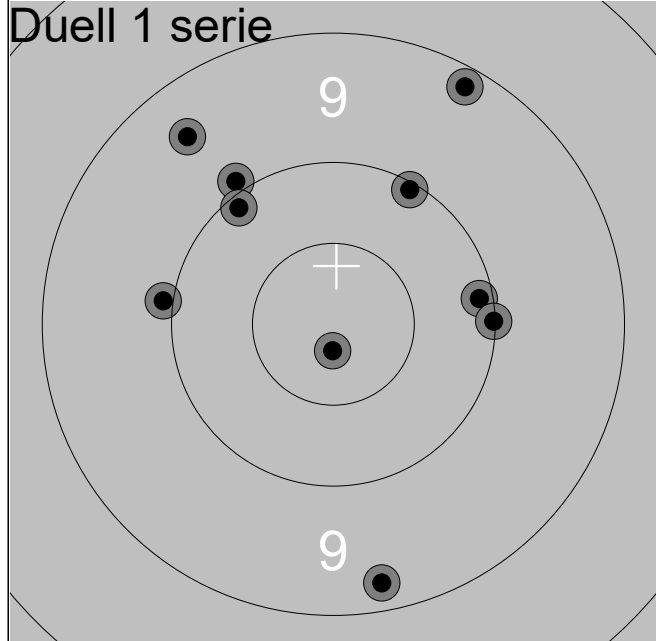
2.56s	10.3	↙
2.80s	10.4	↙
2.88s	10.5x	↑
2.67s	10.8x	↗
2.71s	10.6x	↙
2.63s	9.7	↖
3.09s	10.1	↑
2.57s	10.1	↑
2.58s	10.6x	↙
2.52s	10.8x	↙
Serie		99 (5x)
Total		377 (5x)



2.70s	9.9	↙
2.65s	10.5x	↖
2.35s	9.8	↖
2.27s	10.2	↙
2.24s	9.4	↑
2.84s	9.9	↙
2.72s	9.9	↙
2.73s	10.9x	↙
2.72s	10.7x	↙
2.39s	10.3	↙
Serie		95 (3x)
Total		472 (8x)



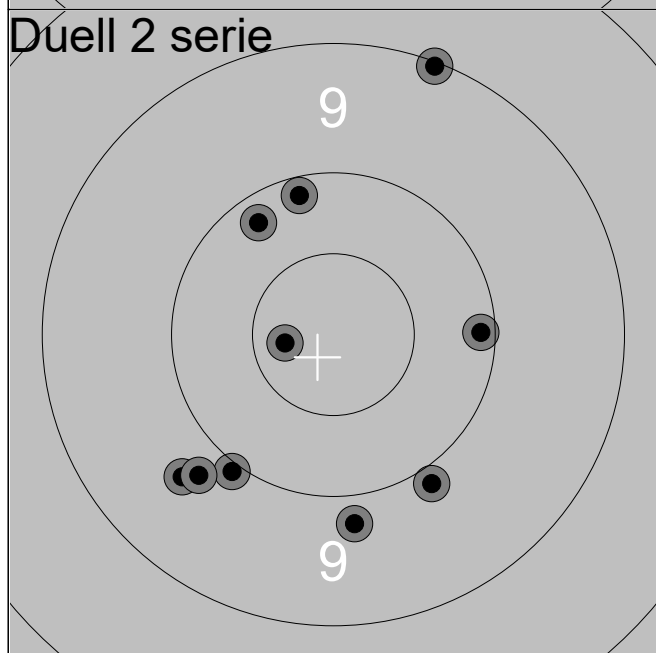
2.69s	10.0	↑
2.77s	9.9	→
2.72s	10.2	↗
2.23s	10.6x	↙
2.63s	10.0	↙
2.73s	8.6	↙
2.93s	10.0	→
2.64s	9.8	↙
2.65s	9.7	↙
2.59s	10.0	↙
Serie		95 (1x)
Total		567 (9x)



2.42s	9.9	↗
2.61s	9.4	↗
2.59s	10.1	↗
2.73s	10.0	↗
2.59s	9.2	↗
2.68s	10.8x	↓
2.60s	10.1	→
2.54s	9.2	↓
2.69s	9.9	←
2.71s	10.0	→

Serie	95 (1x)
--------------	-----------------

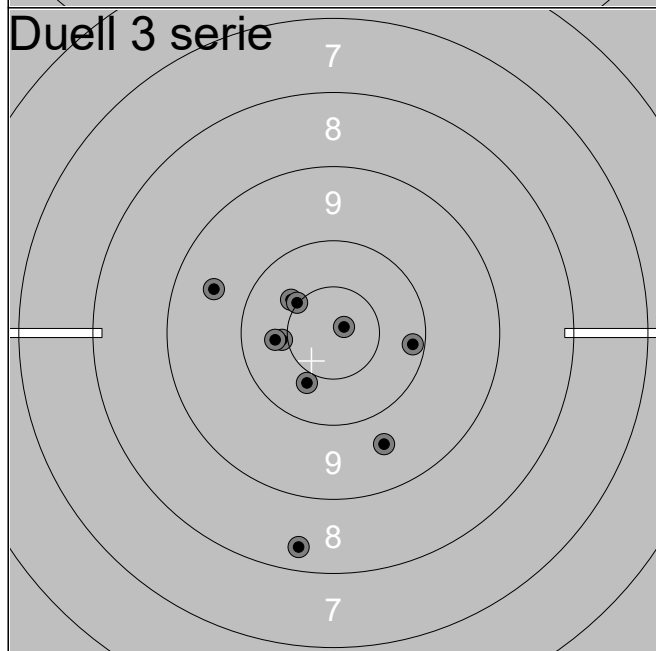
Total	373 (1x)
--------------	------------------



2.72s	10.1	→
2.50s	9.7	↙
2.79s	10.0	↙
2.60s	9.8	↙
2.44s	10.1	↑
2.66s	10.2	↗
2.48s	10.7x	←
2.57s	9.1	↑
2.60s	9.8	↓
2.78s	9.9	↓

Serie	95 (1x)
--------------	-----------------

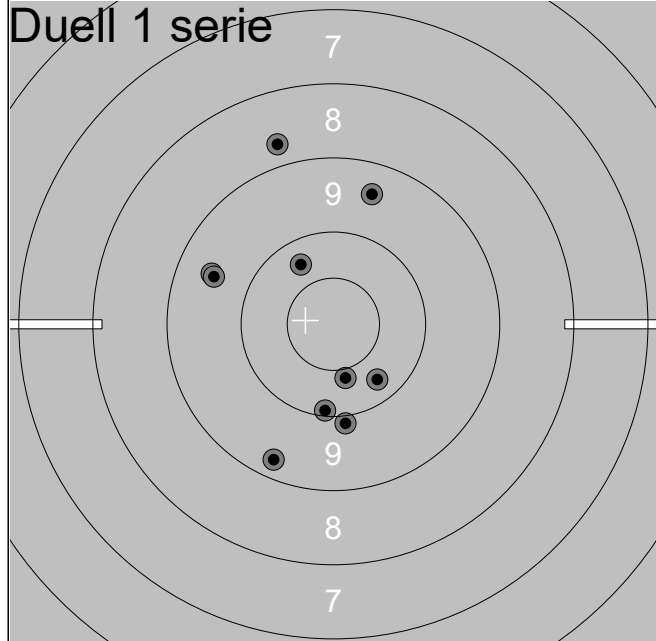
Total	468 (2x)
--------------	------------------



2.52s	10.4	↗
2.72s	9.6	↓
2.58s	10.5x	↗
2.86s	10.1	→
2.65s	9.6	←
2.70s	10.8x	↗
2.75s	8.3	↓
2.82s	10.4	←
2.64s	10.4	↙
2.65s	10.3	←

Serie	96 (2x)
--------------	-----------------

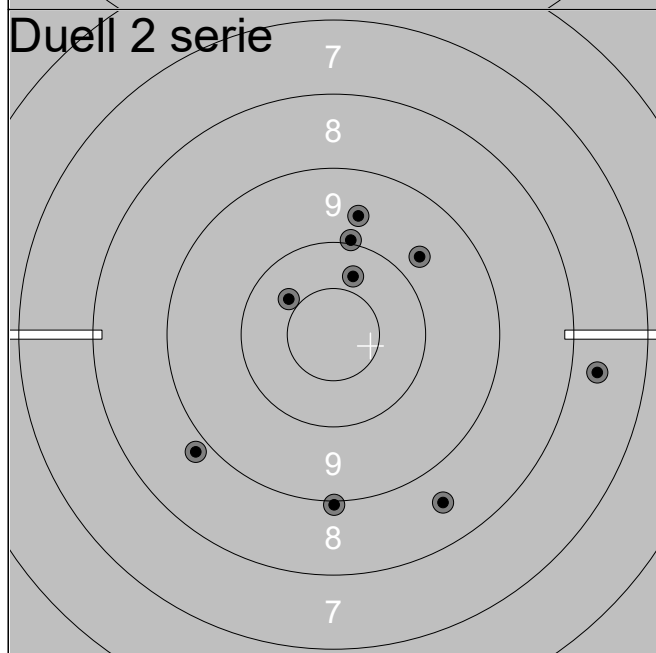
Total	564 (4x)
--------------	------------------



2.08s	9.4	↗
2.11s	8.7	↗
2.50s	9.5	↖
2.34s	9.9	↓
2.35s	9.3	↘
2.16s	9.5	↖
2.45s	10.3	↗
2.48s	10.1	↓
2.99s	10.4	↓
2.22s	10.2	↘

Serie	93 (0x)
--------------	-----------------

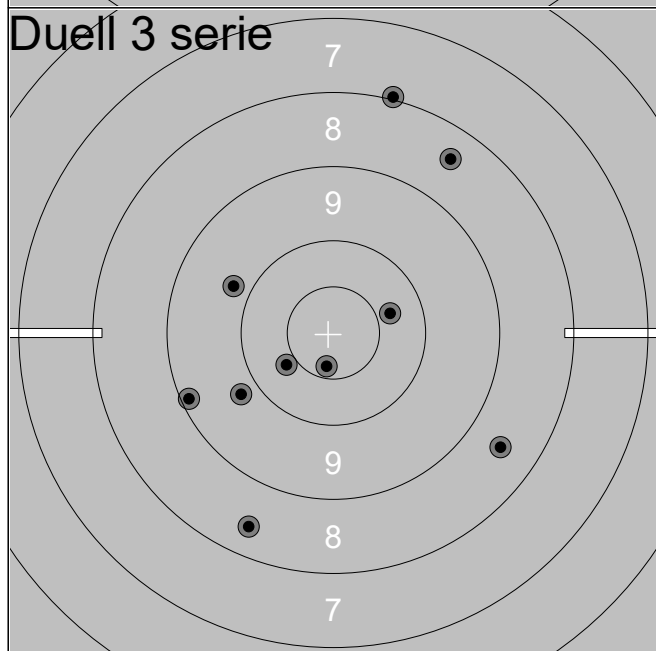
Total	371 (0x)
--------------	------------------



2.20s	10.3	↗
2.46s	9.0	↓
2.70s	10.4	↖
2.27s	8.6	↘
2.47s	9.7	↗
2.39s	☒	
2.25s	8.8	↖
2.04s	9.6	↗
2.60s	10.0	↗
2.58s	7.7	→

Serie	80 (0x)
--------------	-----------------

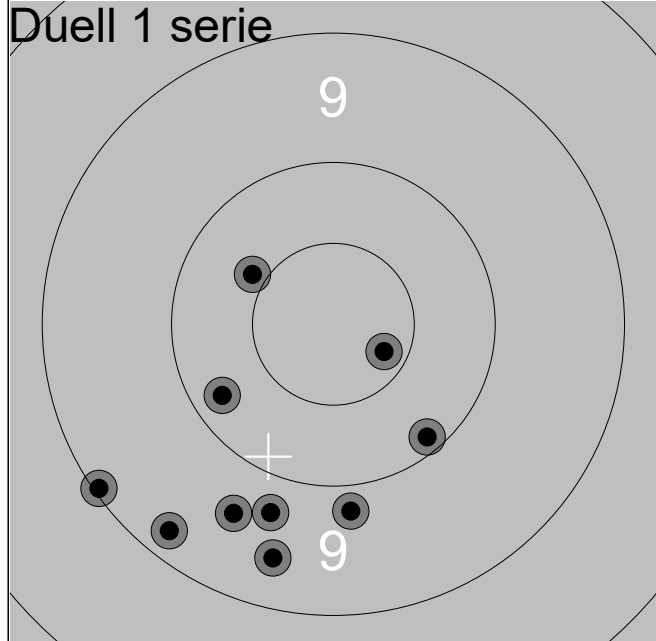
Total	451 (0x)
--------------	------------------



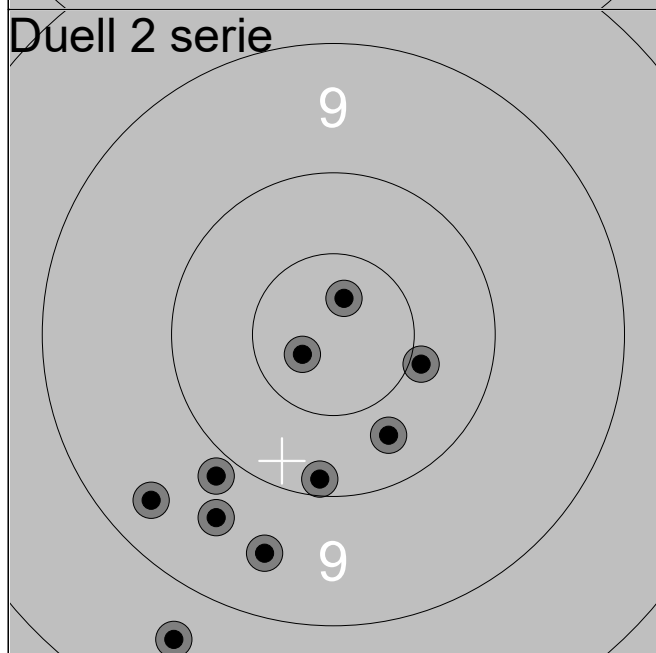
2.11s	10.4	↖
2.12s	8.0	↗
2.37s	9.8	↖
2.39s	8.4	↗
2.23s	9.1	↖
2.20s	10.3	→
2.54s	9.8	↖
2.68s	10.6x	↓
2.47s	8.4	↘
2.47s	8.5	↘

Serie	89 (1x)
--------------	-----------------

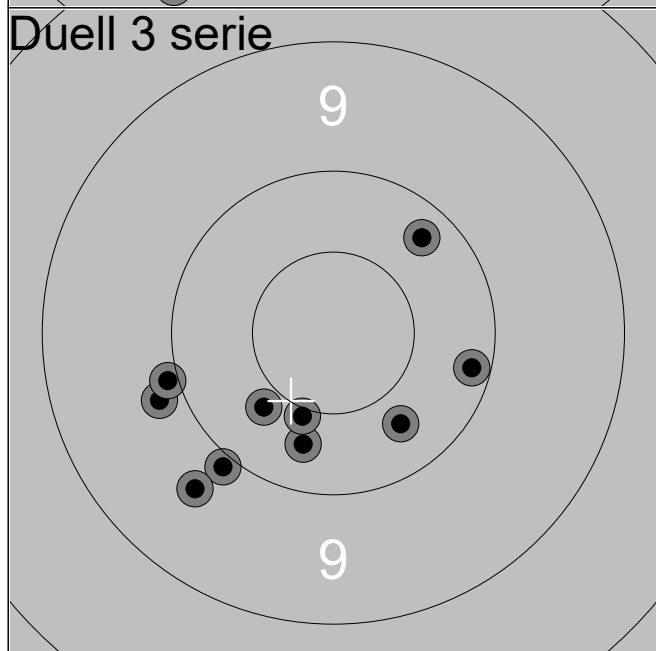
Total	540 (1x)
--------------	------------------



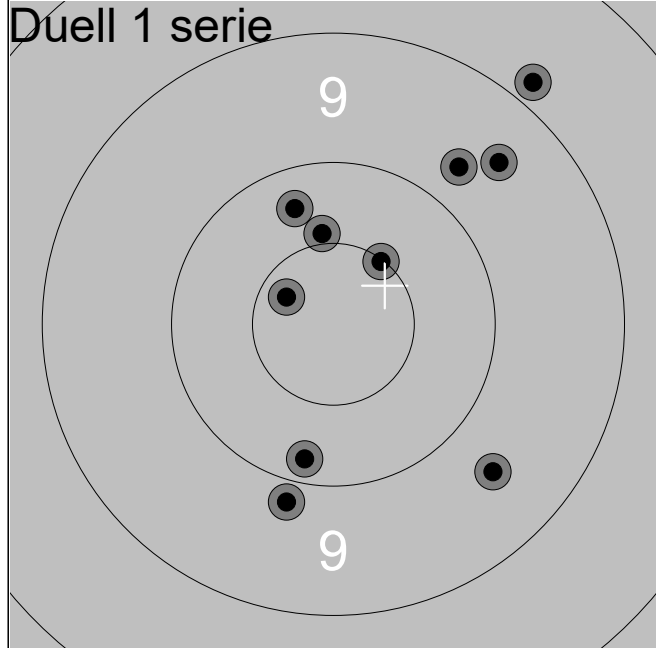
2.57s	9.4	↓
2.89s	10.4	↖
2.97s	10.6x	→
2.81s	10.2	↖
2.36s	9.6	↓
2.45s	9.1	↖
2.50s	9.7	↓
2.63s	10.1	↘
2.75s	9.2	↖
2.78s	9.8	↓
Serie	94 (1x)	
Total	370 (1x)	



2.42s	10.7x	↑
2.29s	9.8	↖
2.62s	10.7x	↖
2.62s	9.5	↓
2.54s	10.4	→
2.60s	10.1	↓
2.99s	10.3	↘
2.85s	9.6	↖
2.83s	9.4	↖
2.66s	8.6	↘
Serie	94 (2x)	
Total	464 (3x)	



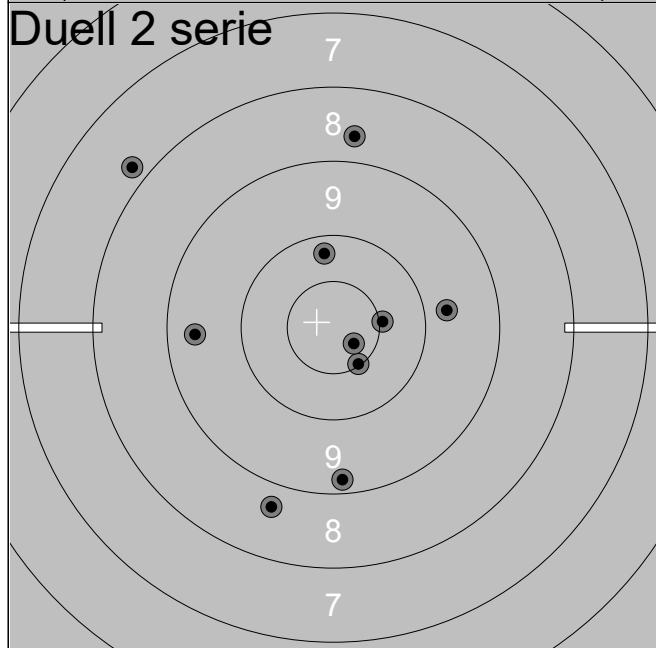
2.61s	10.1	→
2.67s	10.2	↗
2.91s	9.9	↖
2.75s	10.3	↓
2.62s	10.3	↘
2.54s	10.4x	↓
2.45s	9.8	↖
2.63s	9.9	↖
2.57s	9.7	↖
2.80s	10.4	↘
Serie	96 (1x)	
Total	560 (4x)	



2.58s	9.7	↗
2.47s	9.6	↘
2.94s	10.4	↑
2.60s	8.8	↗
2.83s	10.1	↓
2.57s	9.5	↗
2.66s	9.9	↓
2.47s	10.2	↑
2.36s	10.6x	↖
2.39s	10.5x	↗

Serie 94 (2x)

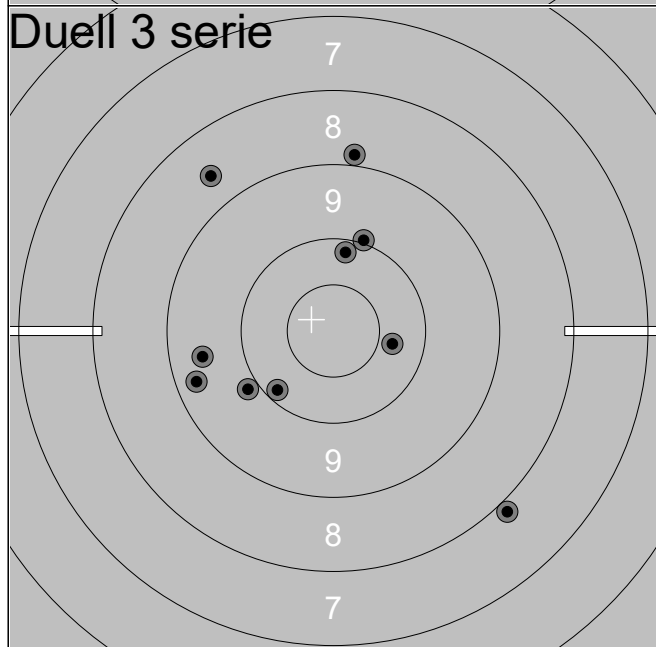
Total 370 (2x)



2.71s	9.7	→
2.52s	10.4x	→
2.50s	9.2	↓
2.31s	7.8	↗
2.62s	10.5x	↘
2.61s	9.4	←
2.76s	8.7	↓
2.64s	10.7x	↘
2.59s	10.2	↑
2.60s	8.7	↑

Serie 90 (3x)

Total 460 (5x)



2.66s	10.1	↙
2.46s	8.9	↑
2.71s	10.1	↑
2.42s	9.9	↙
2.31s	9.5	←
2.50s	8.6	↗
2.70s	7.9	↘
2.60s	10.0	↑
2.39s	10.3	→
2.50s	9.3	←

Serie 90 (0x)

Total 550 (5x)